



US00D825941S

(12) **United States Design Patent**  
**Chopra et al.**

(10) **Patent No.:** **US D825,941 S**

(45) **Date of Patent:** **\*\* Aug. 21, 2018**

(54) **DISPLAY STAND FOR VISUAL ORGANIZATION OF BUSINESS FUNCTION BLOCKS**

(71) Applicant: **Visa International Service Association**, San Francisco, CA (US)

(72) Inventors: **Akshay Chopra**, Singapore (SG); **Matthew Dill**, Singapore (SG)

(73) Assignee: **VISA INTERNATIONAL SERVICE ASSOCIATION**, San Francisco, CA (US)

(\*\*) Term: **15 Years**

(21) Appl. No.: **29/585,320**

(22) Filed: **Nov. 22, 2016**

(51) **LOC (11) Cl.** ..... **06-06**

(52) **U.S. Cl.**  
USPC ..... **D6/332**

(58) **Field of Classification Search**

USPC ..... D6/310, 332, 643, 643.1, 703, 710, 365, D6/647, 653.14, 653.21, 654.14, 654.21, D6/655.21, 656.16, 675.5, 688.26, 709.16, D6/709.17; D25/58; D20/19, 21, 41  
CPC ..... E04B 2/74; E04B 2/7407; E04B 2/7422; E04B 2/7433; E04B 2/7438; E04B 2001/2481; E04B 1/84; E04B 1/8404; E04B 1/82; E04B 1/8209; E04B 1/8227; E04B 2001/8263; E04B 2001/8471; E04B 2/7401;

(Continued)

(56) **References Cited**

**U.S. PATENT DOCUMENTS**

314,483 A \* 3/1885 Scarles ..... B29C 70/22 245/1  
1,567,446 A \* 12/1925 McClure ..... E04H 17/163 160/391

(Continued)

*Primary Examiner* — Vy Koenig  
*Assistant Examiner* — Kimberly Barnes  
(74) *Attorney, Agent, or Firm* — Loeb & Loeb LLP

(57) **CLAIM**

The ornamental design for a display stand for visual organization of business function blocks, as shown and described.

**DESCRIPTION**

FIG. 1 shows an isometric view of a first embodiment of a display stand for visual organization of business function blocks;

FIG. 2 shows a front view of FIG. 1;

FIG. 3 shows a right side view of FIG. 1, the left side view being a mirror image thereof;

FIG. 4 shows a top view of FIG. 1;

FIG. 5 shows an isometric view of FIG. 1 with the blocks removed;

FIG. 6 shows a front view of FIG. 5;

FIG. 7 shows a right side view of FIG. 5, the left side view being a mirror image thereof;

FIG. 8 shows a top view of FIG. 5;

FIG. 9 shows an isometric view of a second embodiment of a display stand for visual organization of business function blocks with a transparent back panel;

FIG. 10 shows a front view of FIG. 9;

FIG. 11 shows a right side view of FIG. 9, the left side view being a mirror image thereof;

FIG. 12 shows a top view of FIG. 9;

FIG. 13 shows an isometric view of FIG. 9 with the blocks removed;

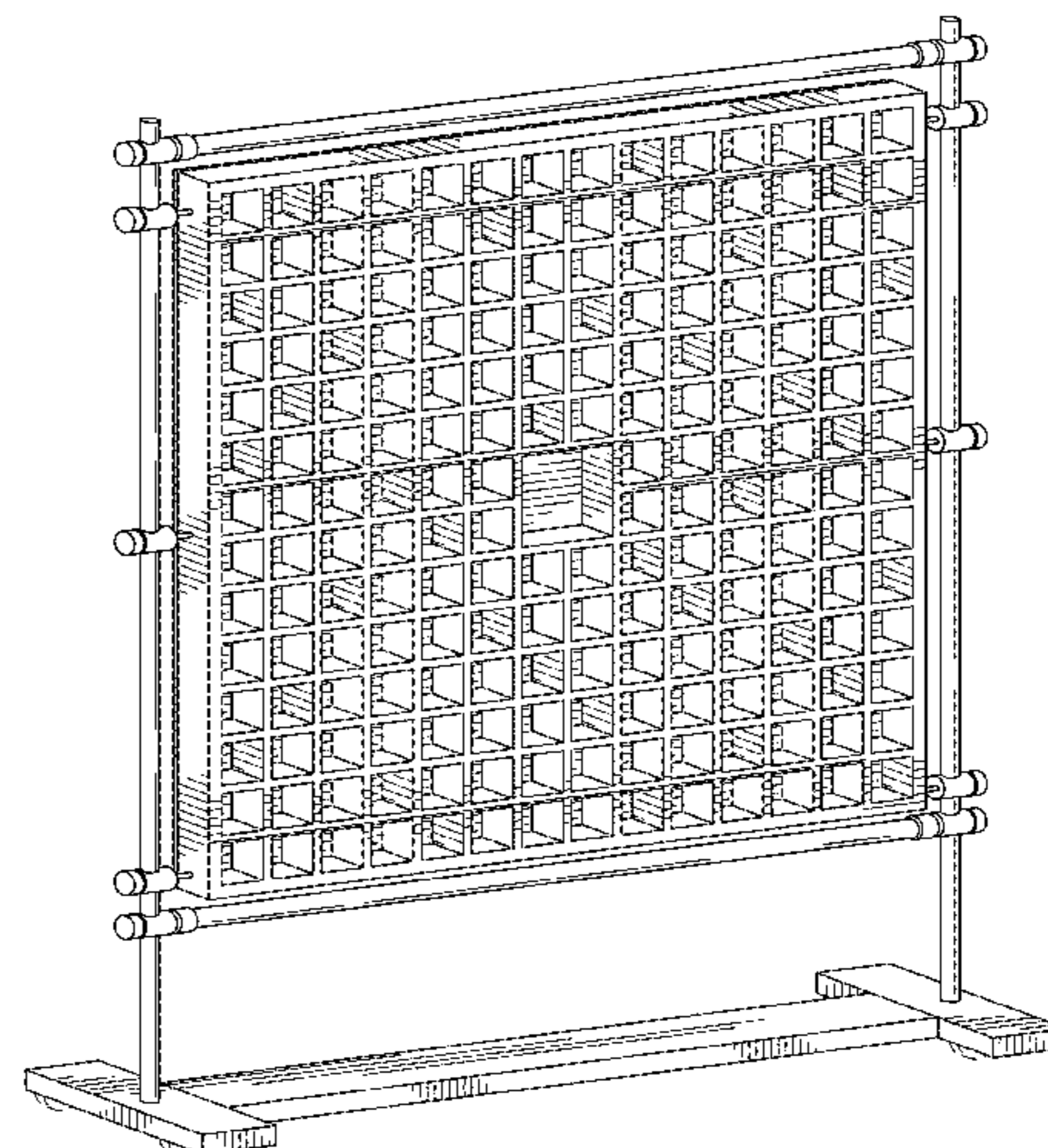
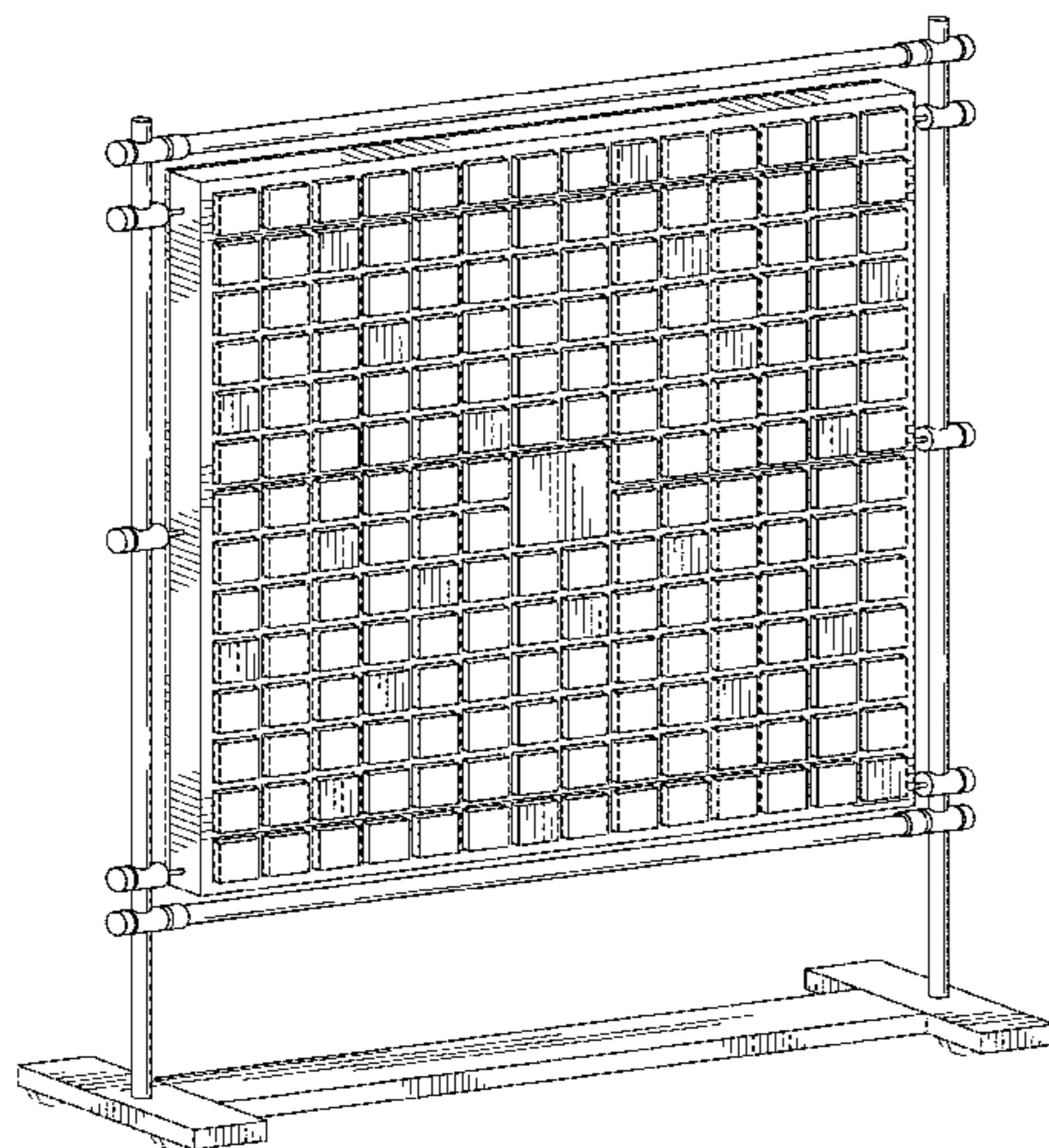
FIG. 14 shows a front view of FIG. 13;

FIG. 15 shows a right side view of FIG. 13, the left side view being a mirror image thereof; and,

FIG. 16 shows a top view of FIG. 13.

The broken lines shown in the drawings represent portions of the display stand for visual organization of business function blocks that form no part of the claimed design.

**1 Claim, 16 Drawing Sheets**



(58) **Field of Classification Search**

CPC .. E04B 2/7416; E04B 2/7437; E04B 2/7405;  
 E04B 2/7414; E04B 2/76; E04B 2/761;  
 E04B 2/766; A47F 5/105; G10K 11/168;  
 E06B 9/24

See application file for complete search history.

(56) **References Cited**

U.S. PATENT DOCUMENTS

3,527,004 A \* 9/1970 Sorensen ..... A63H 33/04  
 446/476  
 3,583,466 A \* 6/1971 Dreyer ..... G03B 21/58  
 160/351  
 3,592,288 A \* 7/1971 Walter ..... E04B 1/8227  
 160/351  
 3,908,320 A \* 9/1975 Hogue ..... E04B 2/7437  
 211/134  
 4,115,937 A \* 9/1978 Wolpert ..... G09F 5/00  
 40/606.18  
 4,127,196 A \* 11/1978 Boucher ..... A47F 5/0815  
 160/351

4,172,334 A \* 10/1979 Nielsen ..... A47F 5/105  
 40/605  
 D256,138 S \* 7/1980 Tesar ..... D20/10  
 D312,282 S \* 11/1990 Kelly ..... D21/506  
 D337,834 S \* 7/1993 Kearns ..... D25/138  
 5,255,803 A \* 10/1993 Pavone ..... A47F 5/00  
 211/189  
 D367,972 S \* 3/1996 Valls ..... D25/156  
 D420,223 S \* 2/2000 Chipman ..... D6/332  
 6,206,079 B1 \* 3/2001 Selgrad ..... A47G 5/00  
 160/135  
 D455,503 S \* 4/2002 Heltzer ..... D25/158  
 6,701,996 B1 \* 3/2004 Chen ..... A47G 5/00  
 160/135  
 D500,604 S \* 1/2005 Ashby ..... D6/332  
 D541,949 S \* 5/2007 Placuzzi ..... D25/113  
 7,654,060 B2 \* 2/2010 Steed ..... E04B 2/7422  
 52/782.1  
 D646,065 S \* 10/2011 White ..... D6/332  
 9,187,926 B2 \* 11/2015 Machacek ..... E04H 17/163  
 9,271,584 B1 \* 3/2016 Weinstein ..... A47F 5/135  
 9,668,592 B1 \* 6/2017 Lindblom ..... A47F 5/0087  
 2003/0197165 A1 \* 10/2003 Perelli ..... E01F 13/02  
 256/26

\* cited by examiner

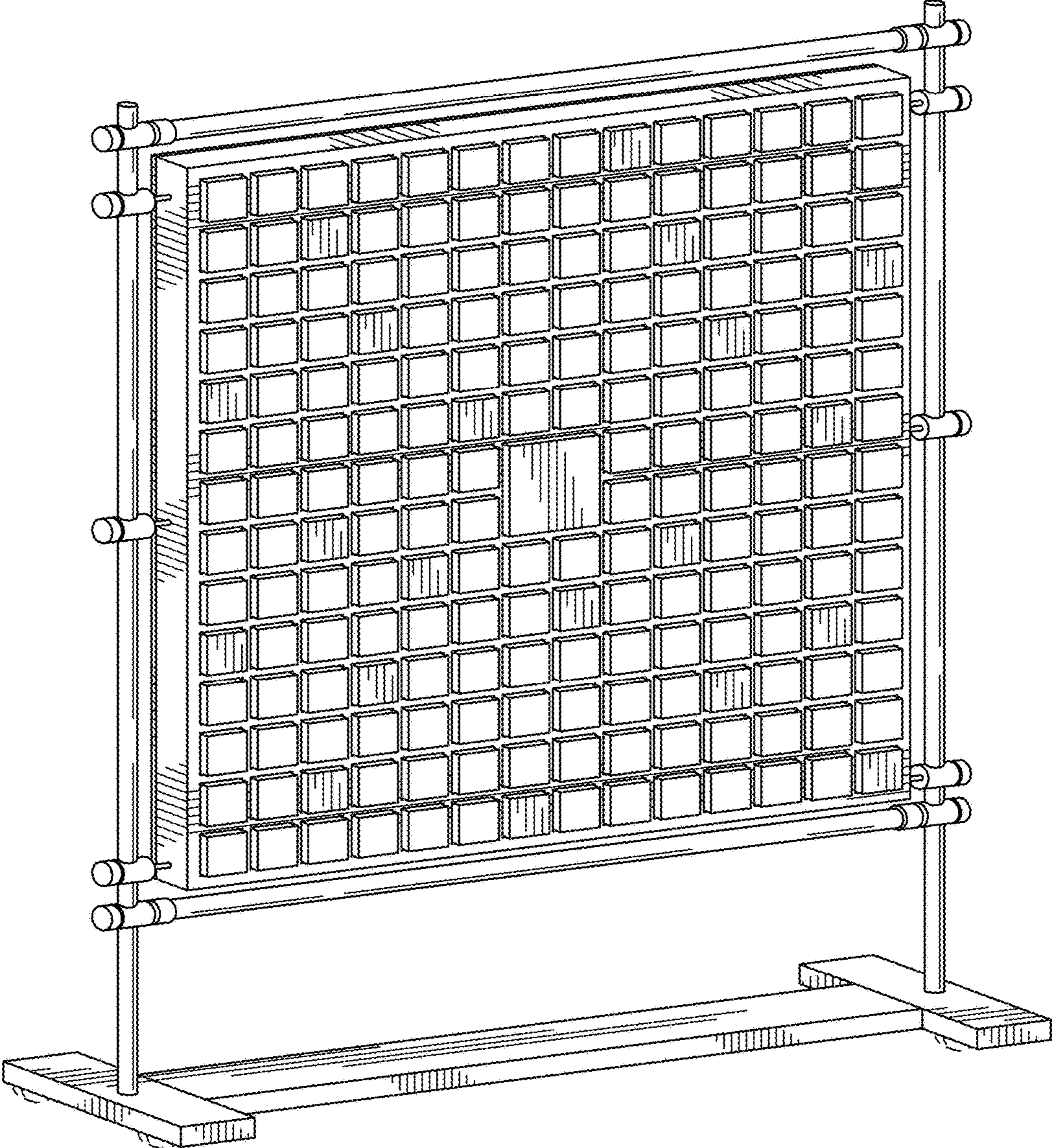


FIG. 1

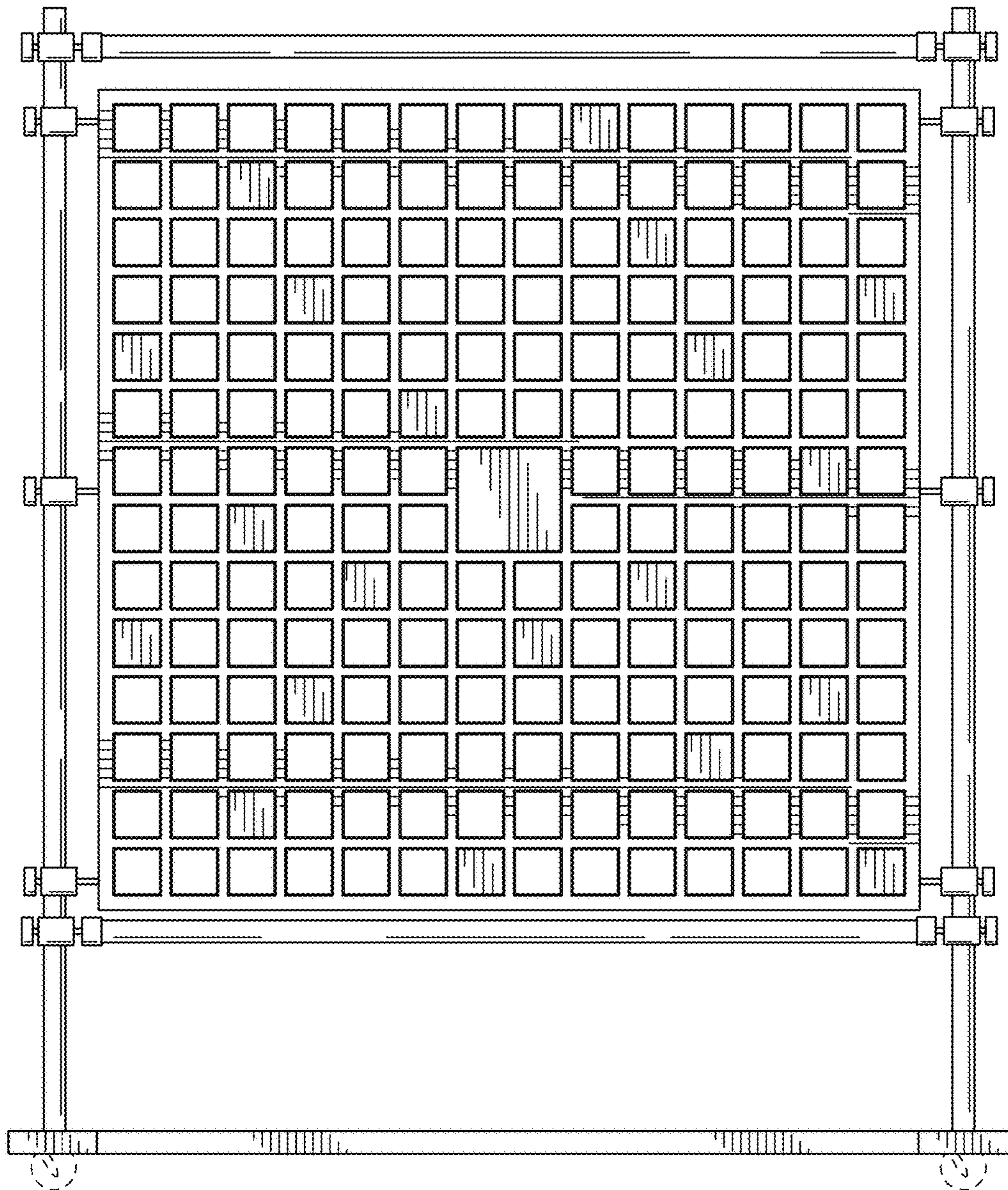


FIG. 2

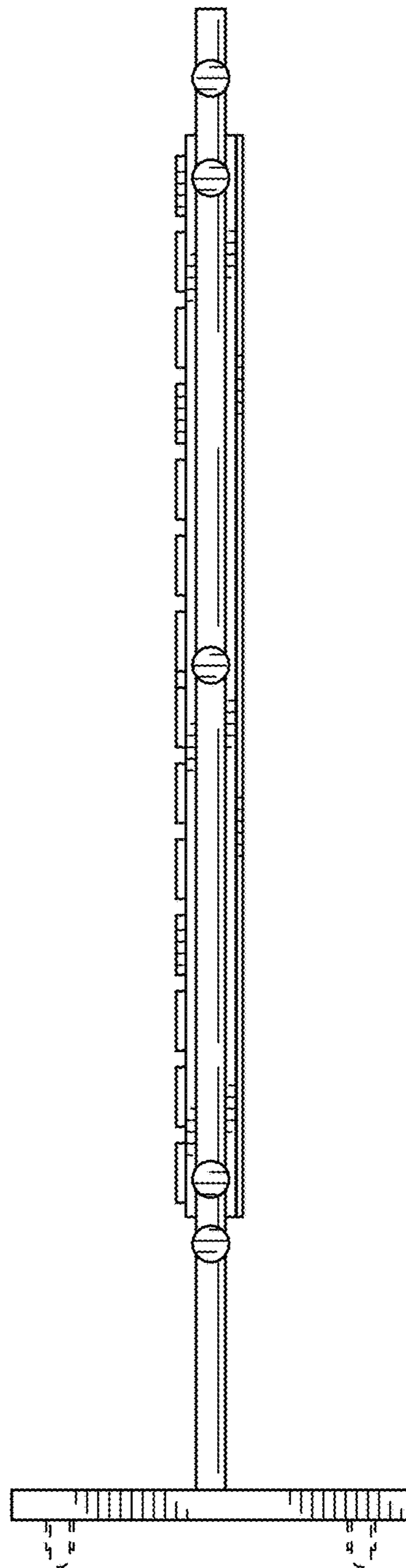


FIG. 3

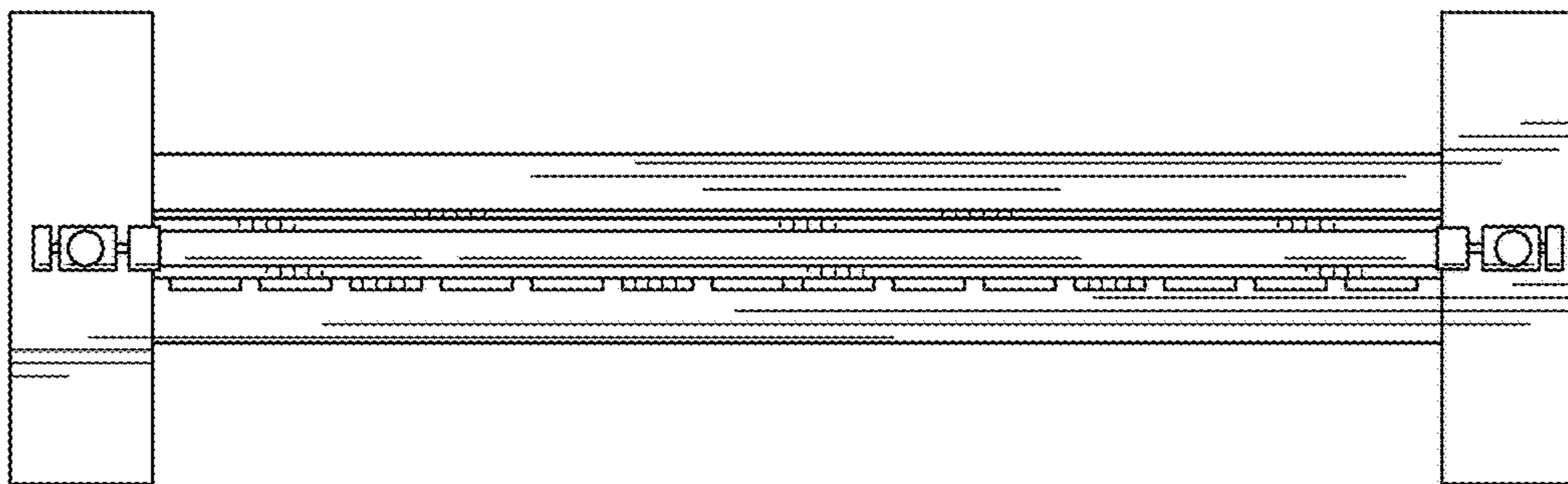


FIG. 4

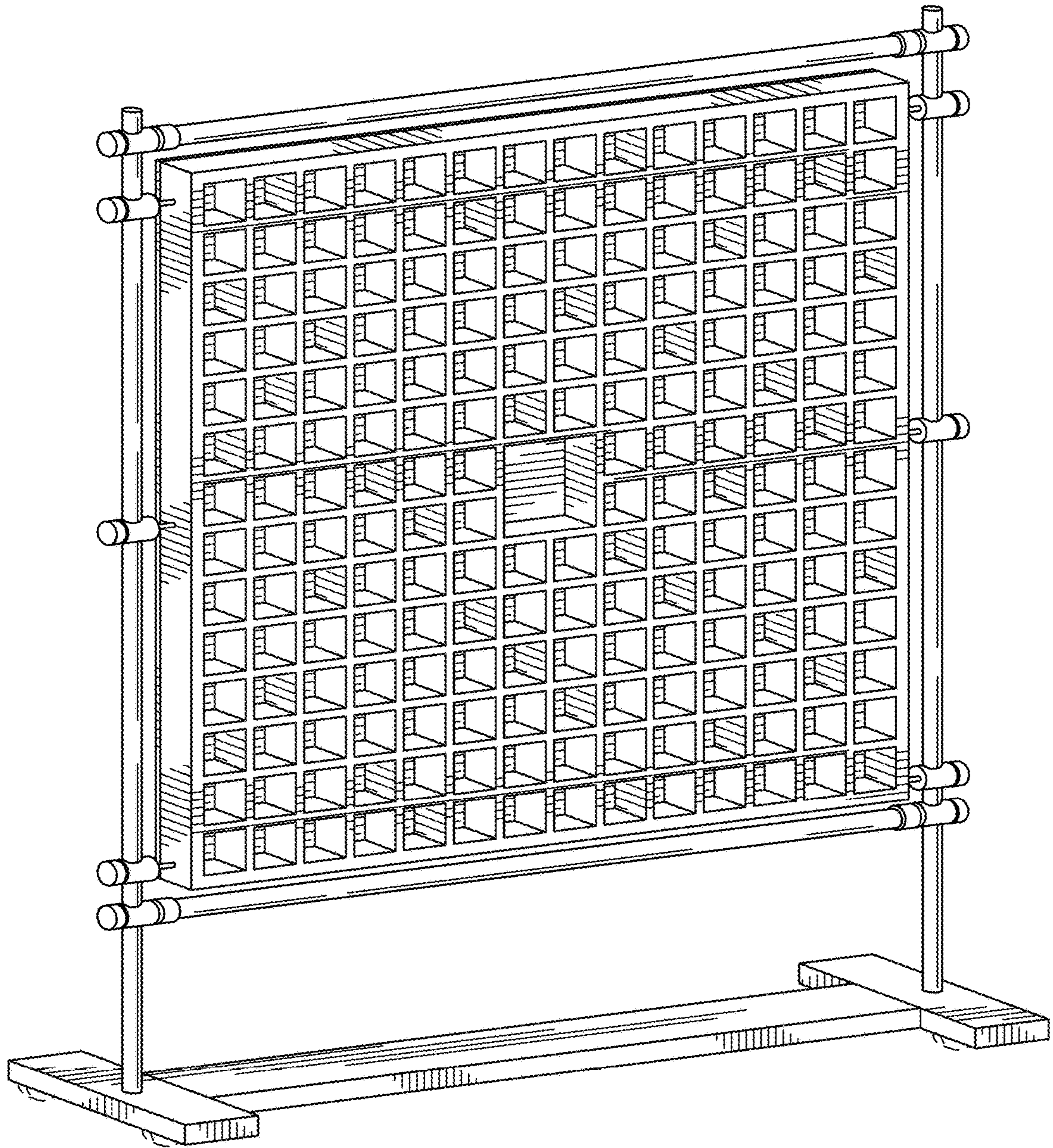


FIG. 5

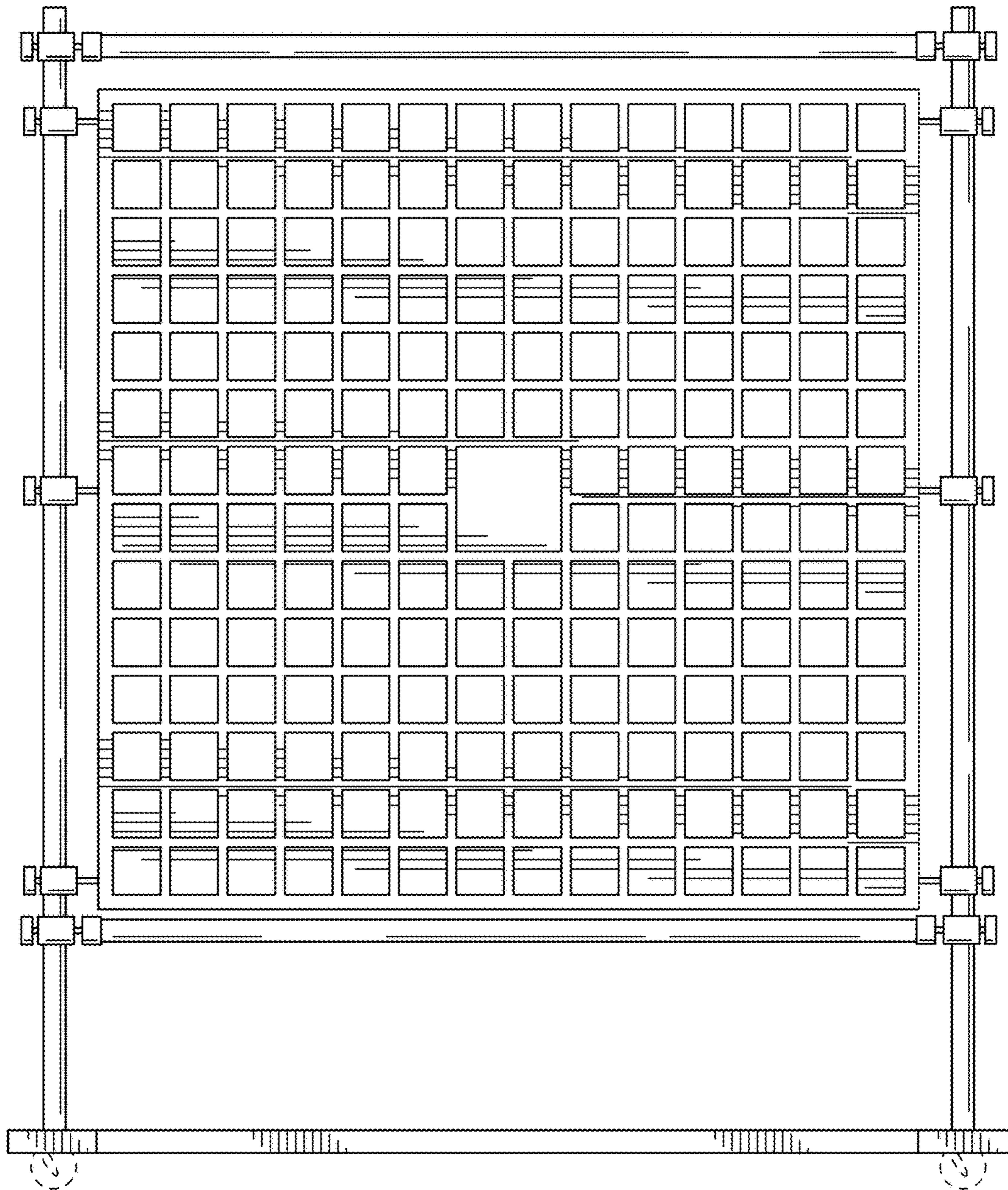


FIG. 6



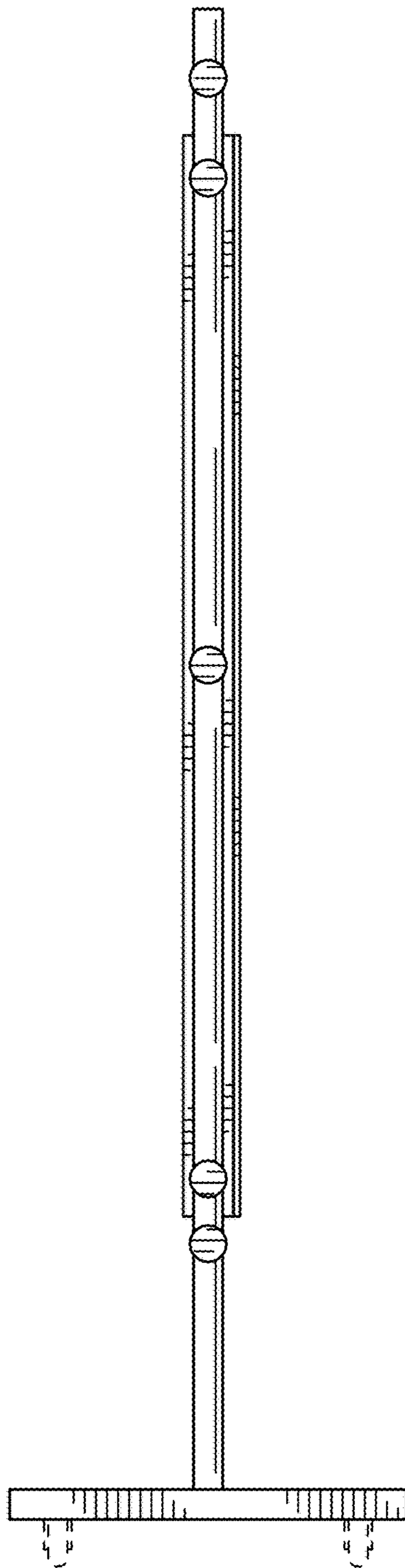


FIG. 7

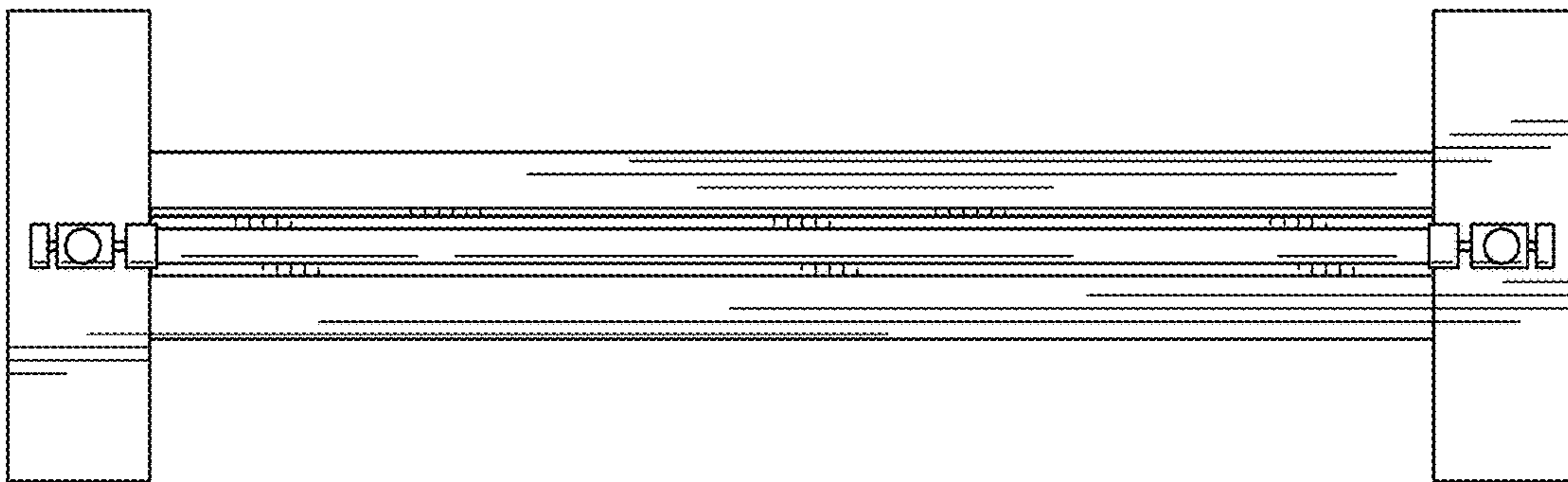


FIG. 8

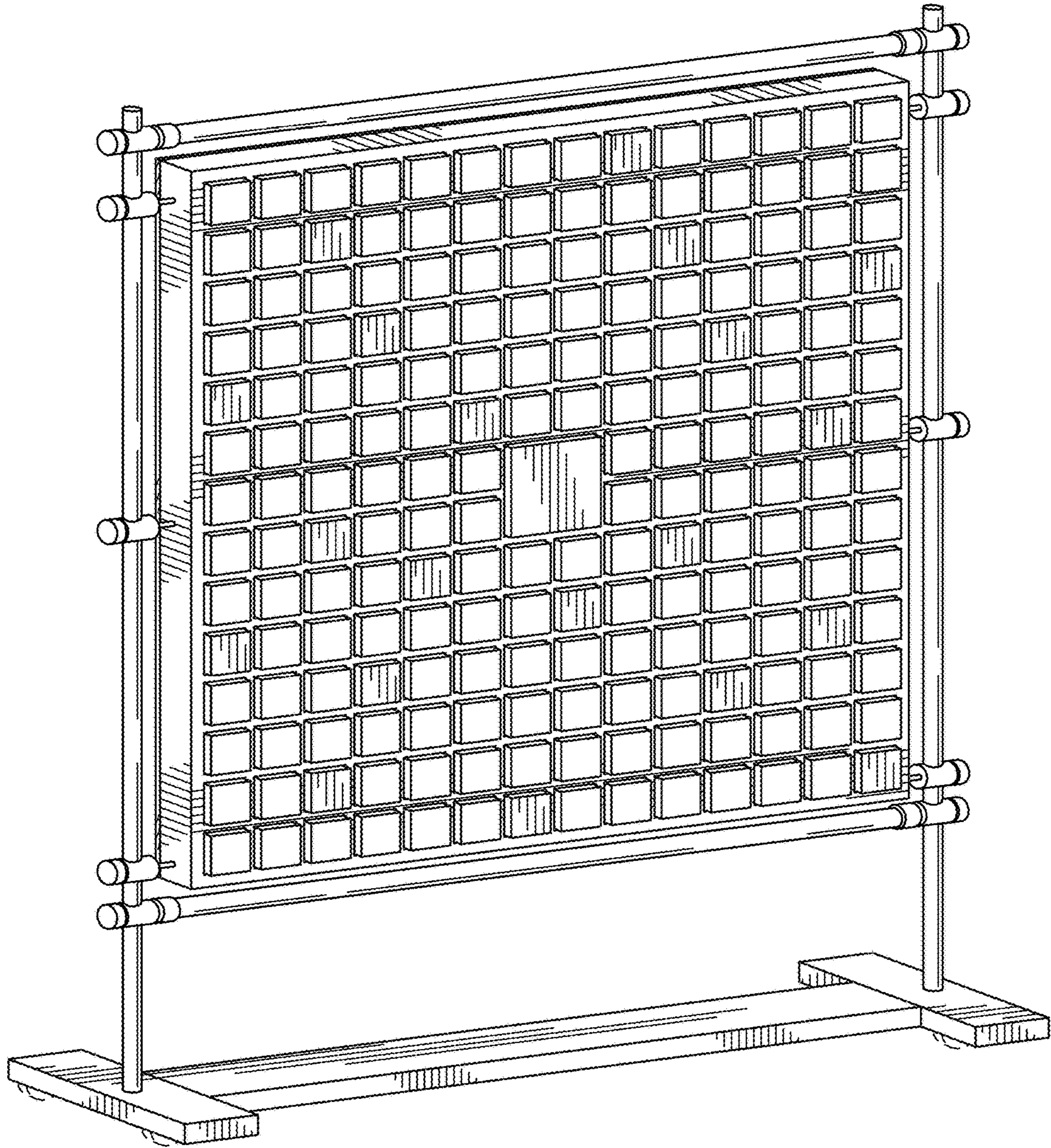


FIG. 9

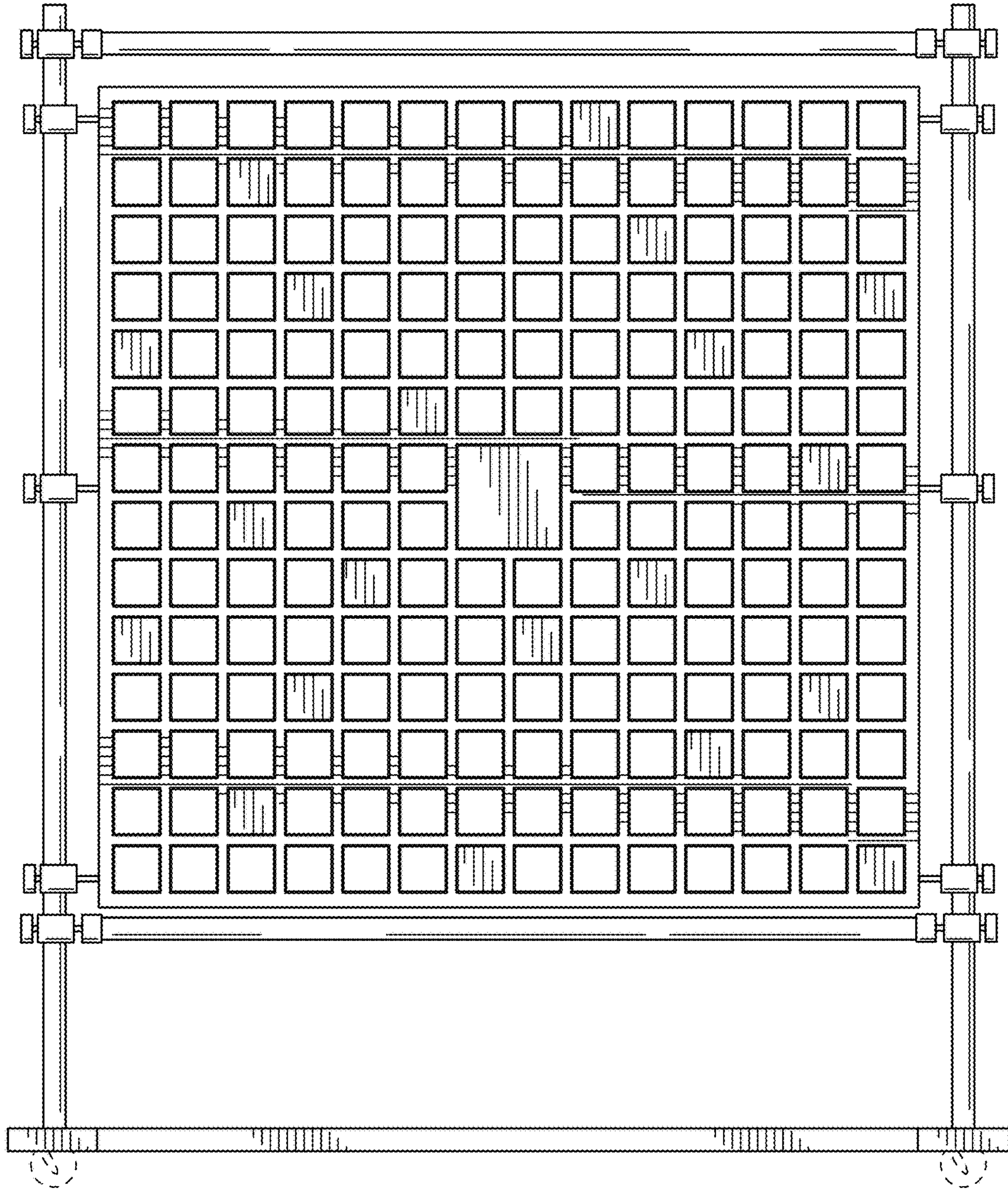


FIG. 10

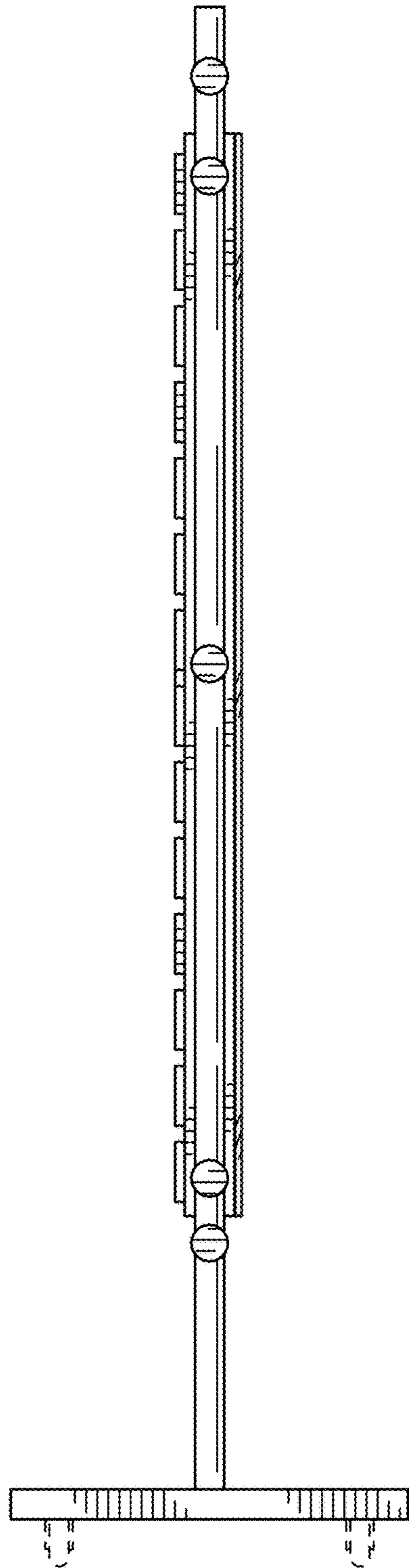


FIG. 11

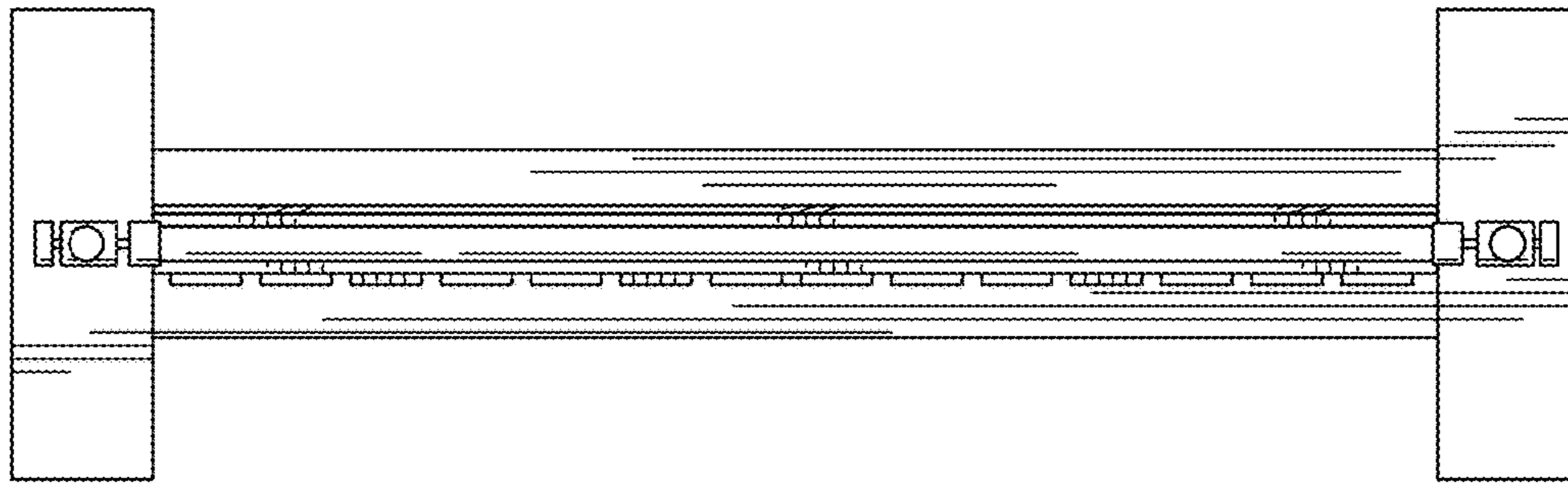


FIG. 12

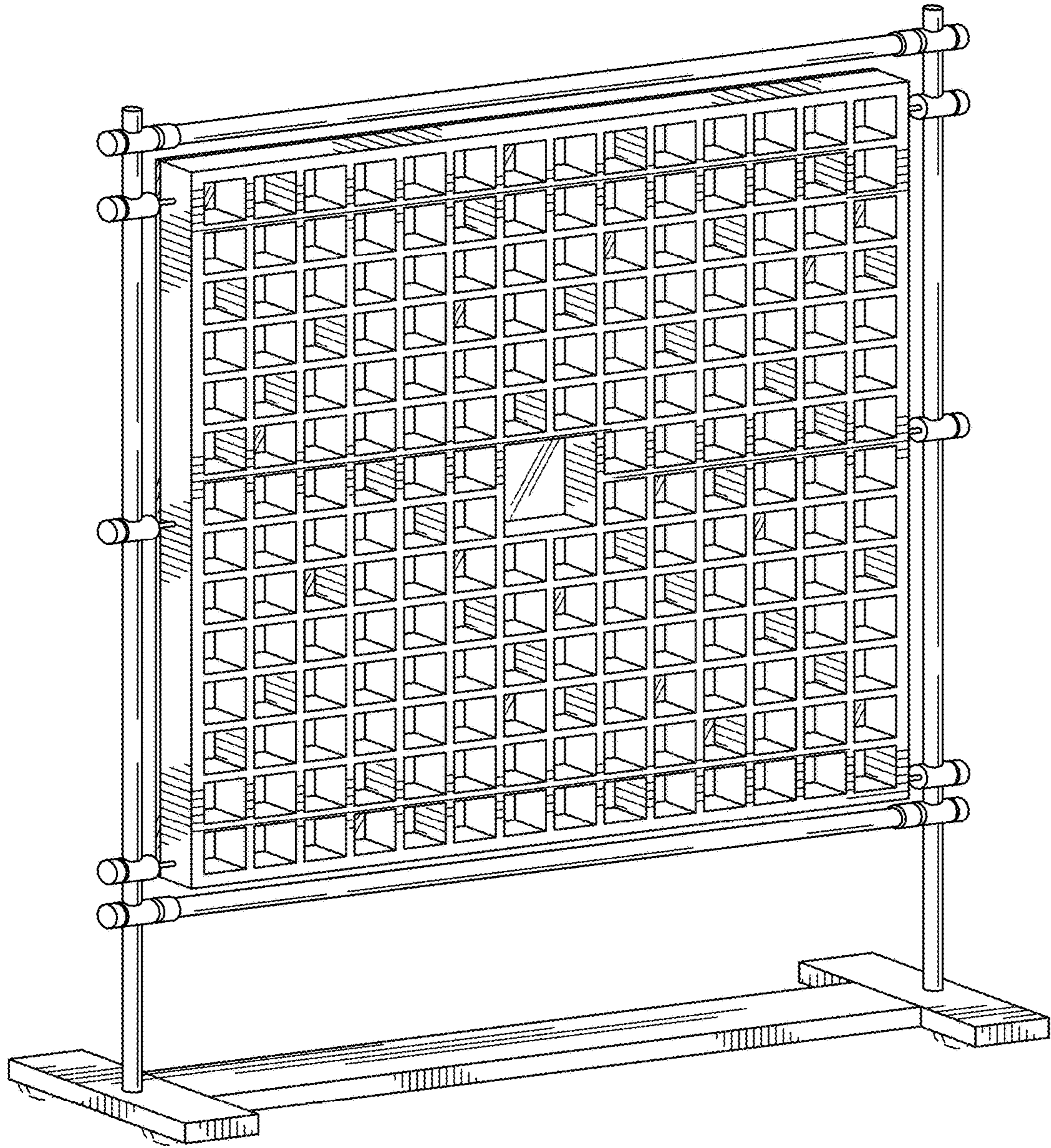


FIG. 13

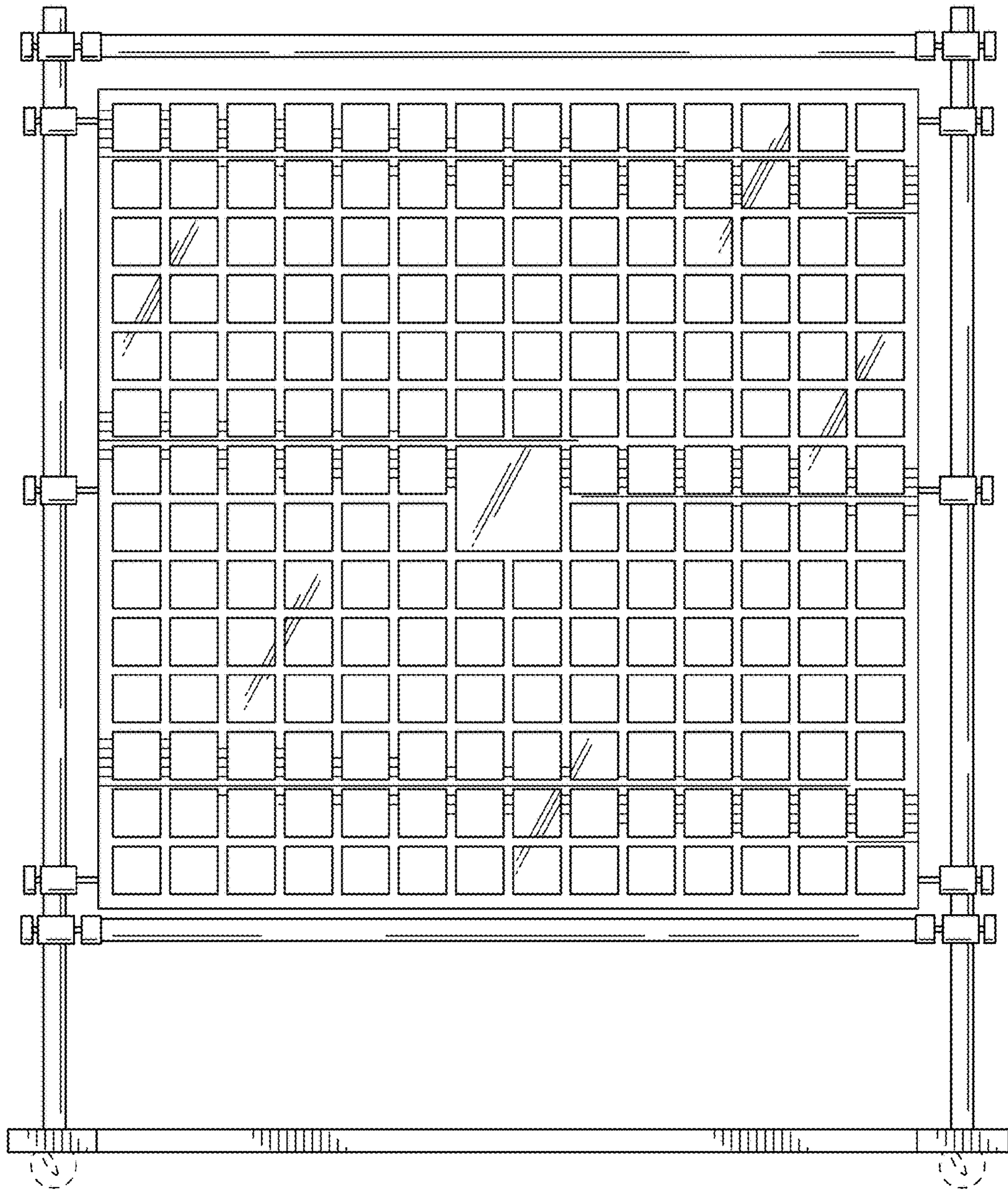


FIG. 14



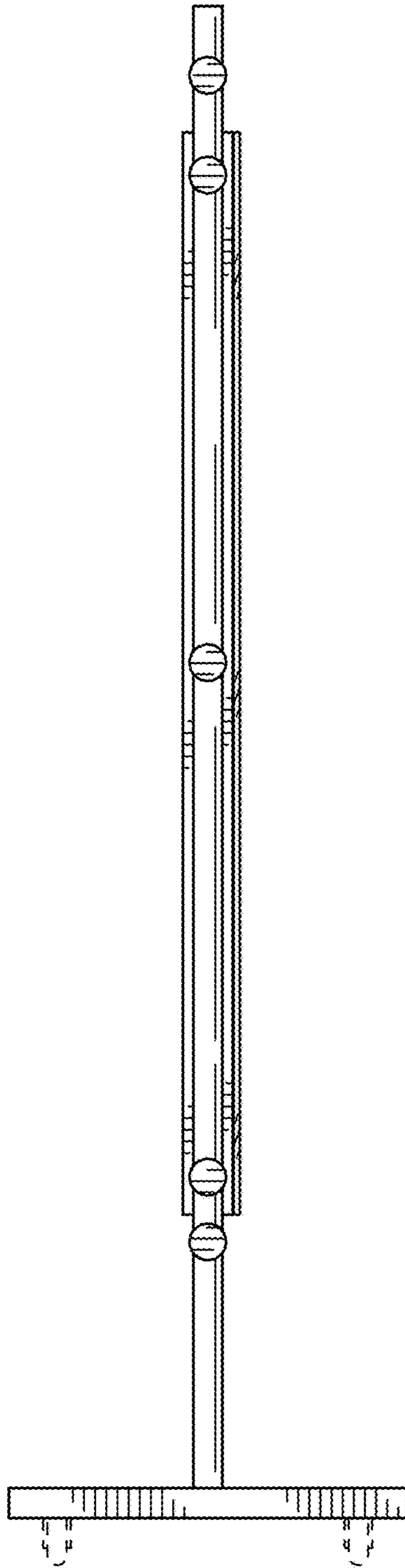


FIG. 15

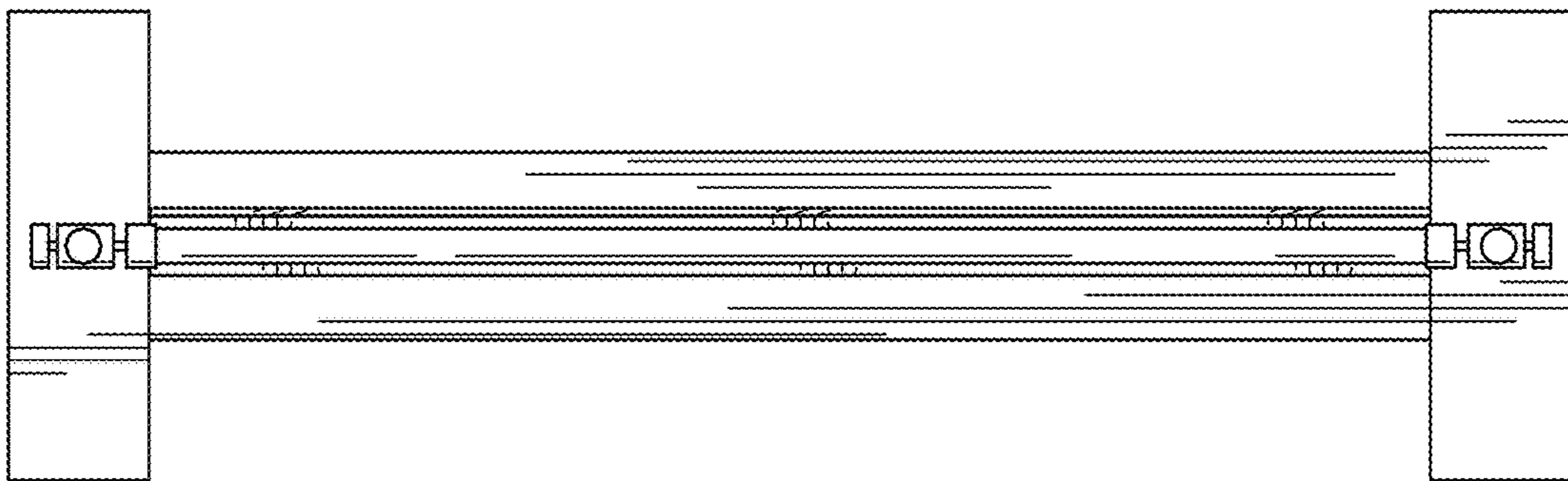


FIG. 16