



US00D825935S

(12) **United States Design Patent** (10) **Patent No.:** **US D825,935 S**  
**Pulfrey et al.** (45) **Date of Patent:** **\*\* Aug. 21, 2018**

(54) **HAIR BRUSH**  
(71) Applicant: **TANGLE TEEZER LIMITED**,  
London (GB)  
(72) Inventors: **Shaun Pulfrey**, London (GB);  
**Cameron Bruce William Treeby**,  
London (GB)  
(73) Assignee: **Tangle Teezer Limited**, London (GB)  
(\*\*) Term: **15 Years**  
(21) Appl. No.: **35/503,008**  
(22) Filed: **Apr. 20, 2017**

(80) **Hague Agreement Data**  
Int. Filing Date: **Apr. 20, 2017**  
Int. Reg. No.: **DM/095908**  
Int. Reg. Date: **Apr. 20, 2017**  
Int. Reg. Pub. Date: **May 19, 2017**

(51) **LOC (11) Cl.** ..... **04-01**  
(52) **U.S. Cl.**  
USPC ..... **D4/134**  
(58) **Field of Classification Search**  
USPC ..... D4/134, 136, 133, 138, 100, 102, 128,  
D4/132, 121; D24/133; D28/25;  
119/612  
CPC ..... A46B 9/023  
See application file for complete search history.

(56) **References Cited**  
U.S. PATENT DOCUMENTS  
D358,260 S \* 5/1995 Chan ..... D4/138  
D379,720 S \* 6/1997 Collins ..... D4/108  
D391,764 S \* 3/1998 Falleiros ..... D4/104  
D407,560 S \* 4/1999 Huang ..... D4/104  
D438,388 S \* 3/2001 Cheung ..... D4/136  
D439,411 S \* 3/2001 Klein ..... D4/104

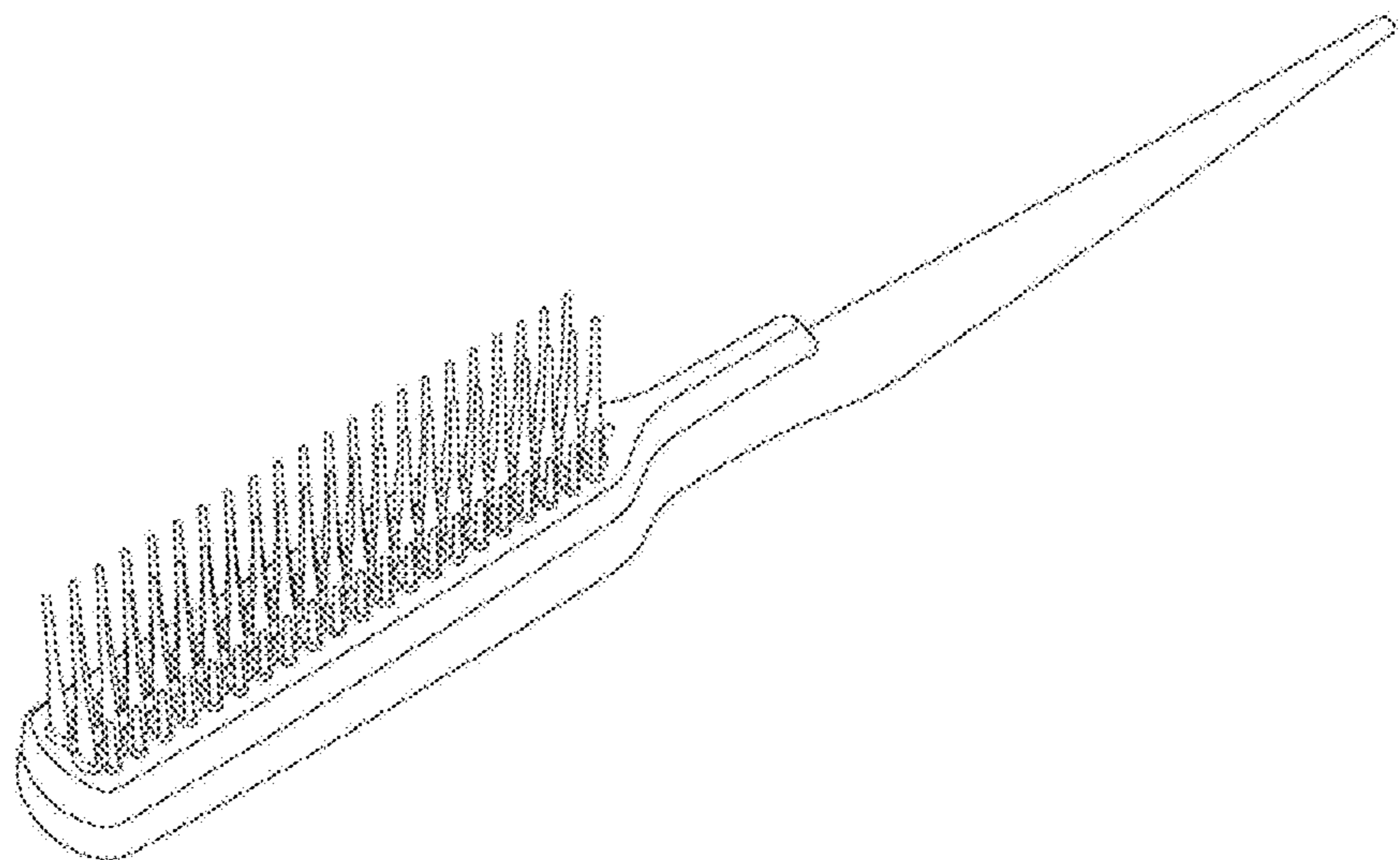
D487,351 S \* 3/2004 Frazell ..... D4/104  
D497,483 S \* 10/2004 Bock ..... D32/42  
D508,325 S \* 8/2005 Zunga ..... D4/108  
D519,674 S \* 4/2006 Chu ..... D28/7  
D524,056 S \* 7/2006 Tapp ..... D4/120  
D549,459 S \* 8/2007 Crossman ..... D4/104  
D578,768 S \* 10/2008 Geiberger ..... D4/104  
D588,364 S \* 3/2009 Nanda ..... D4/107  
D589,261 S \* 3/2009 Nanda ..... D4/107  
D600,920 S \* 9/2009 Yeh ..... D19/125  
D619,374 S \* 7/2010 Khubani ..... D4/136  
D623,415 S \* 9/2010 Geiberger ..... D4/104  
D646,489 S \* 10/2011 Little ..... D4/133  
D684,374 S \* 6/2013 Dobson, III ..... D4/138  
9,326,591 B2 \* 5/2016 Nicoline ..... A46B 9/023  
D763,579 S \* 8/2016 Thomas ..... D4/133  
D781,056 S \* 3/2017 Scheier ..... D4/110  
D794,964 S \* 8/2017 Park ..... D4/135  
D798,011 S \* 9/2017 Dallaire ..... D32/31  
D813,553 S \* 3/2018 Ford ..... D4/134

\* cited by examiner  
*Primary Examiner* — Rhea Shields  
(74) *Attorney, Agent, or Firm* — Tarolli, Sundheim,  
Covell & Tummino LLP; John A. Yirga, Esq.

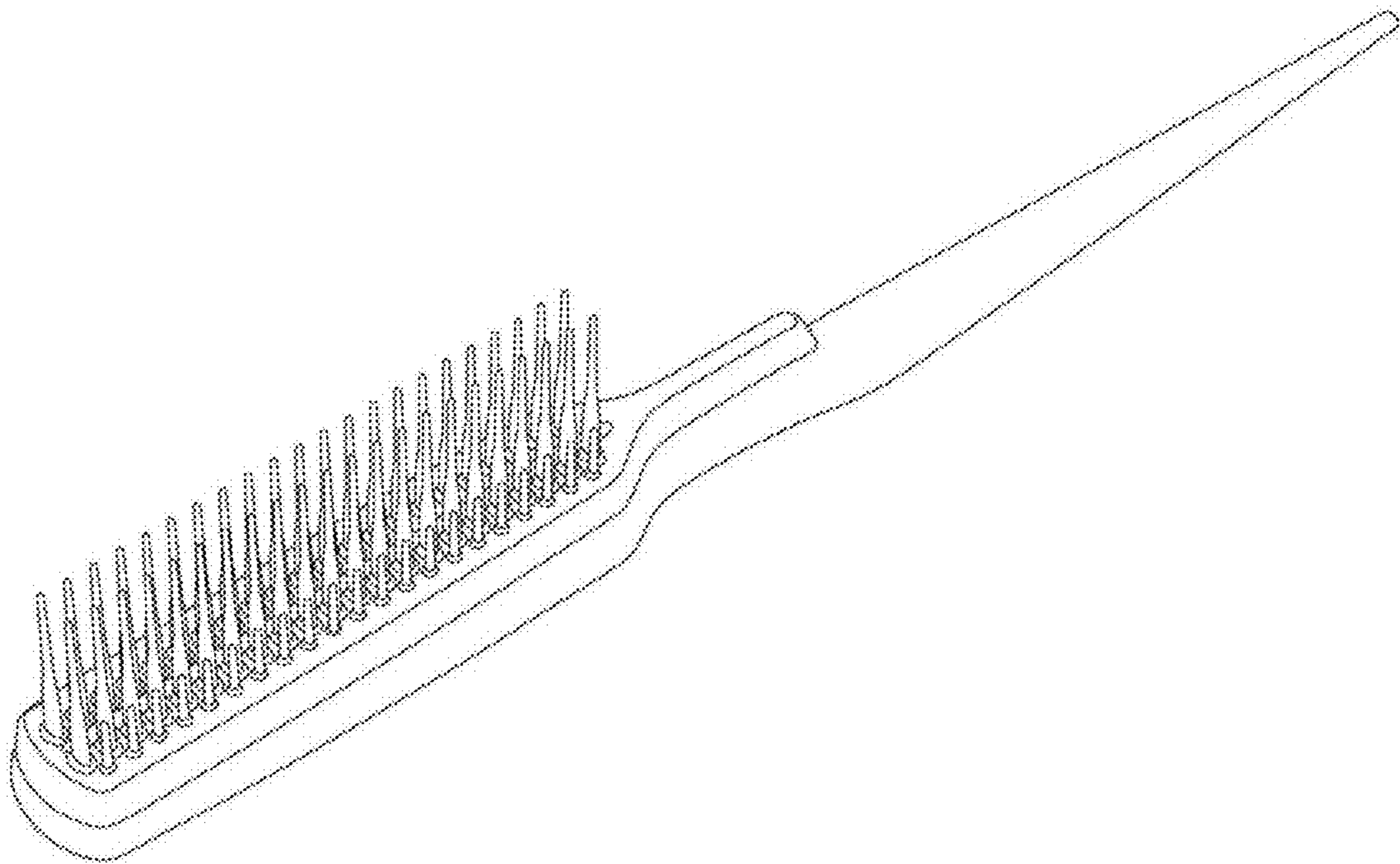
(57) **CLAIM**  
The ornamental design for a hair brush, as shown and  
described.

**DESCRIPTION**  
1. Hair brush  
1.1 : Perspective  
1.2 : Top  
1.3 : Back  
1.4 : Right  
1.5 : Front  
1.6 : Bottom  
1.7 : Perspective  
1.8 : Perspective  
1.9 : Cross-sectional  
1.10 : Left

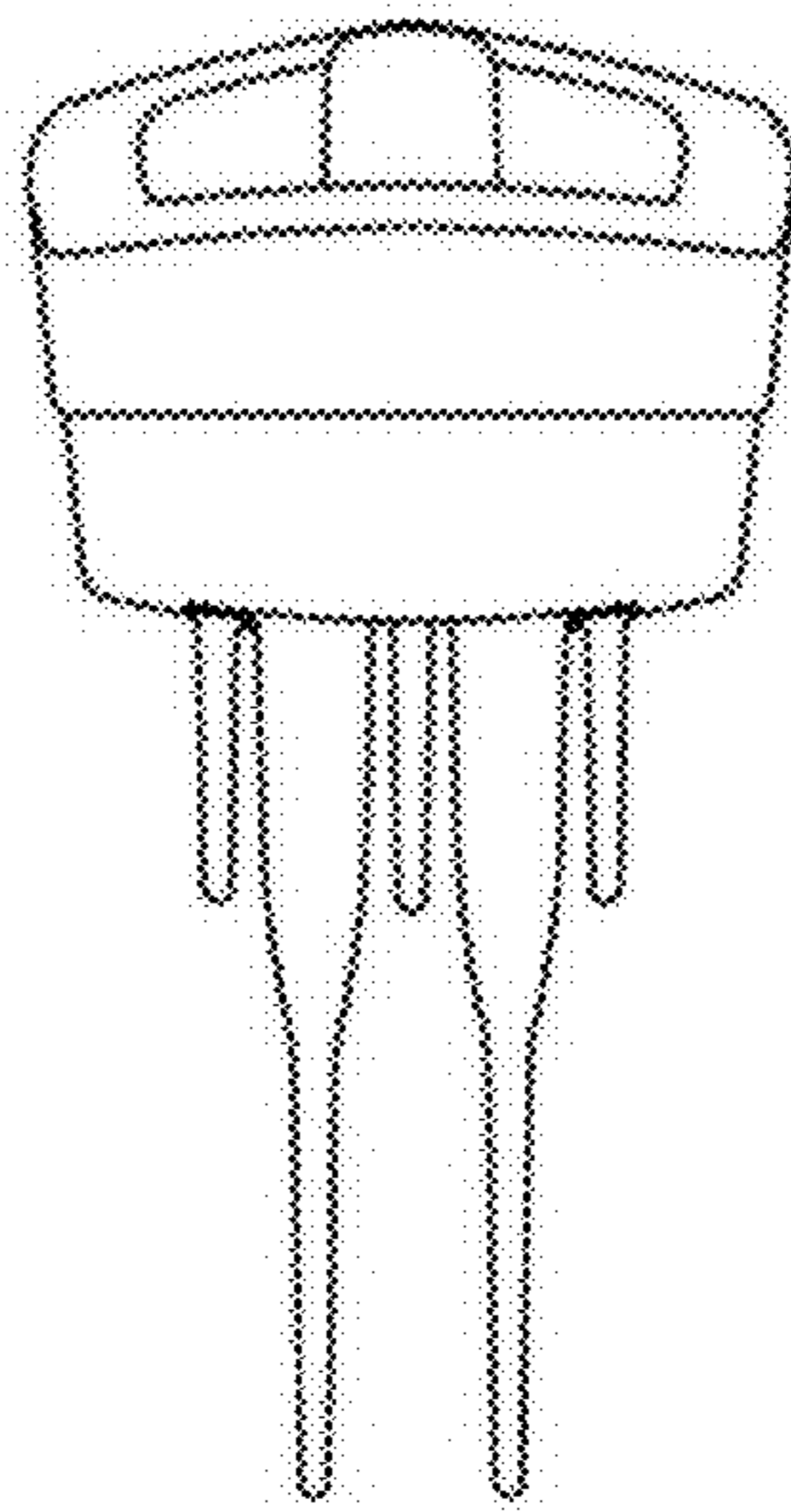
**1 Claim, 10 Drawing Sheets**



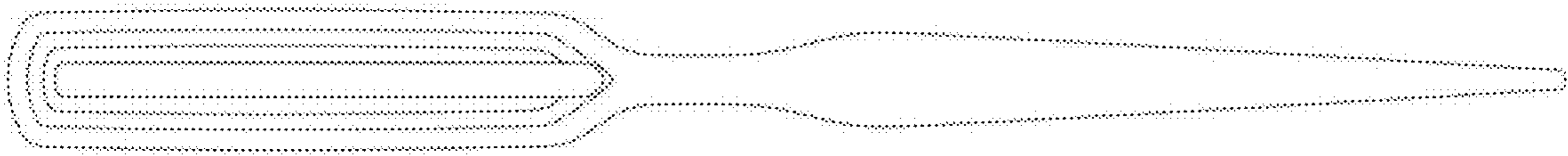
1.1



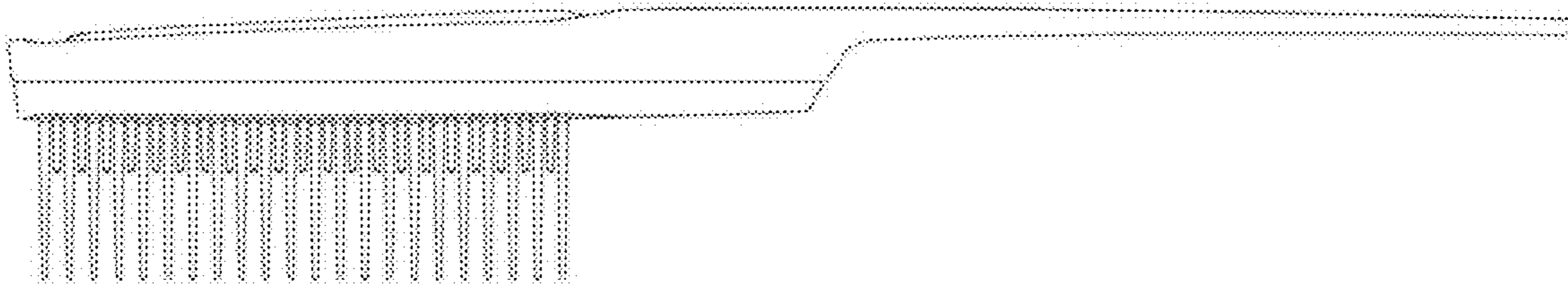
1.2



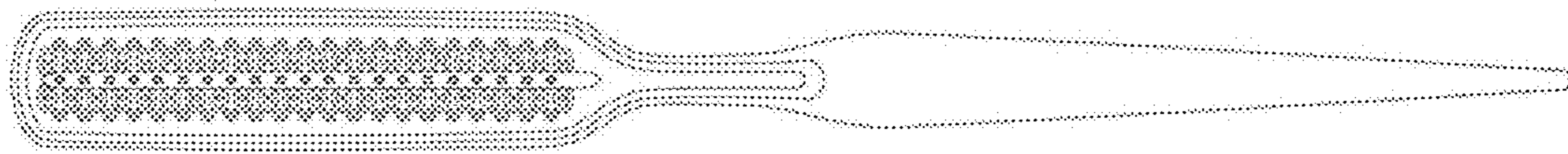
1.3



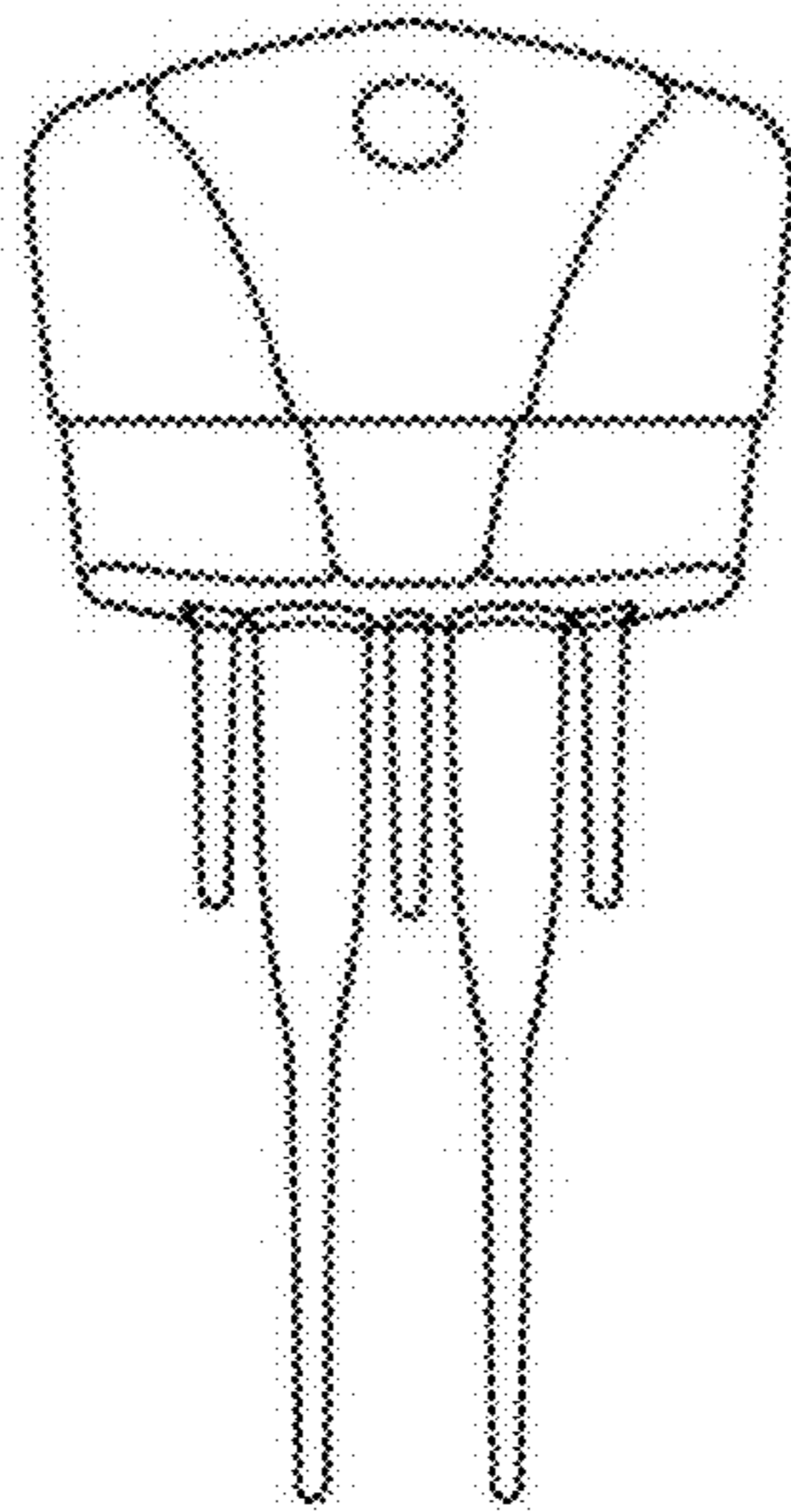
1.4



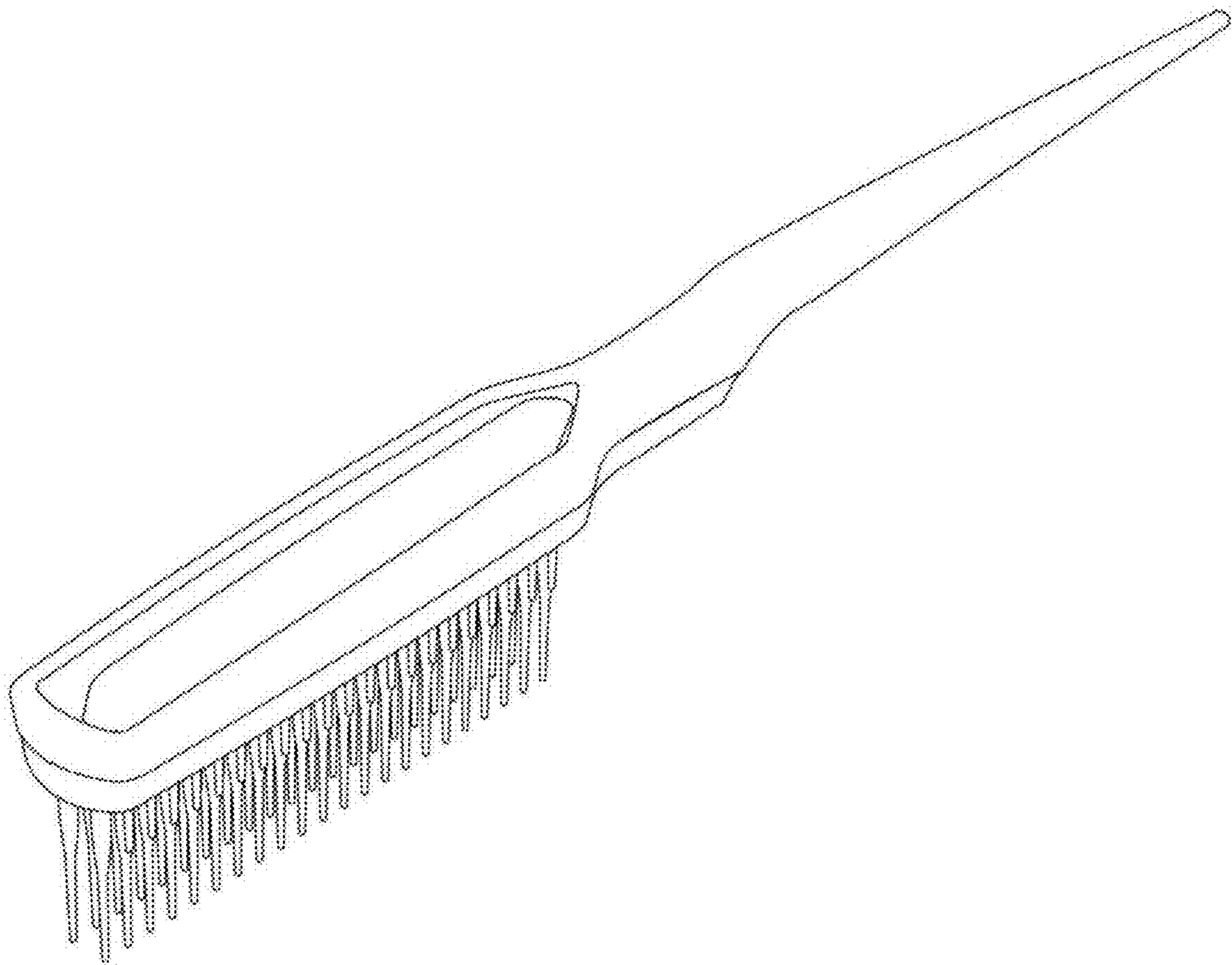
1.5



1.6

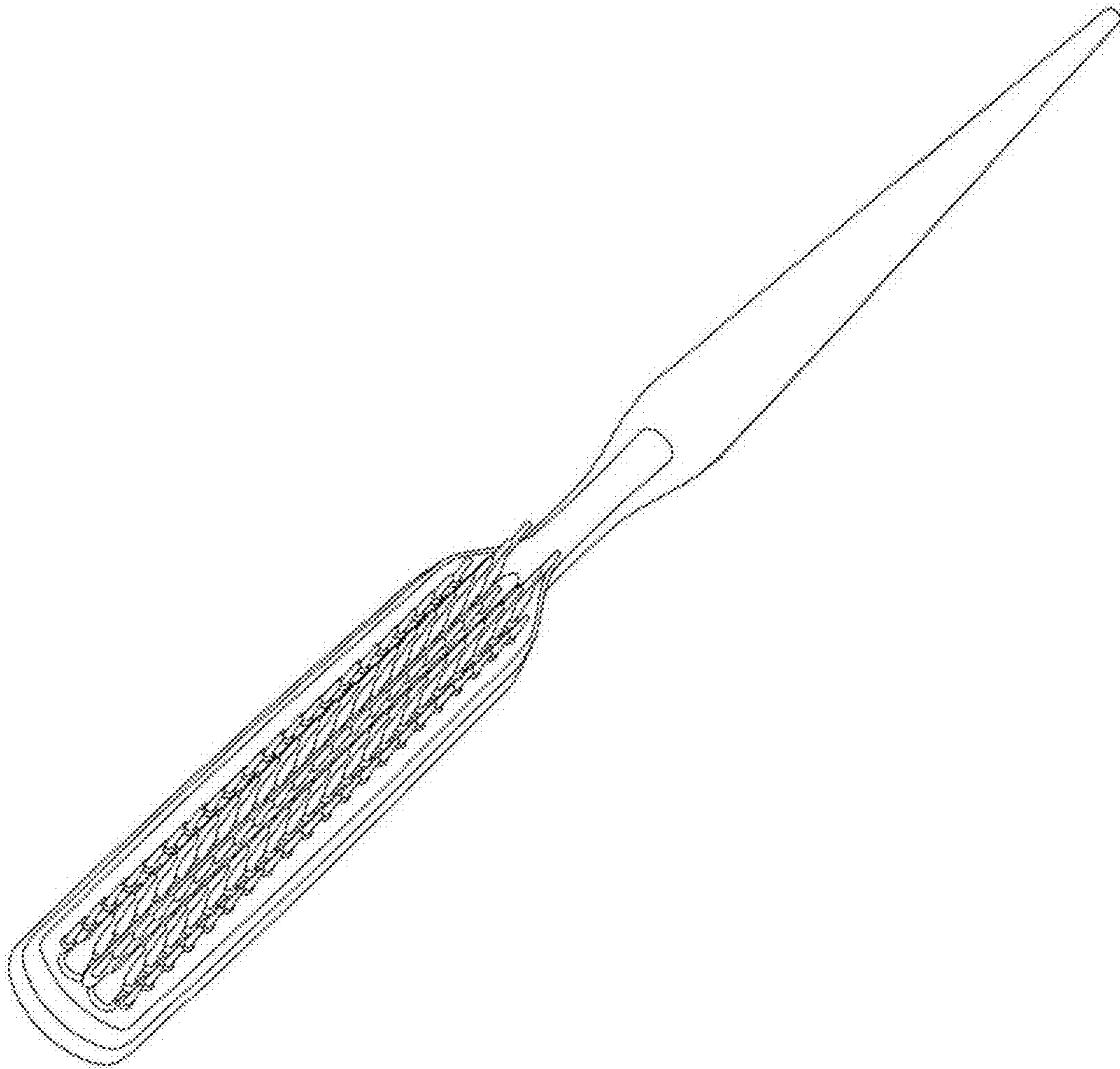


1.7

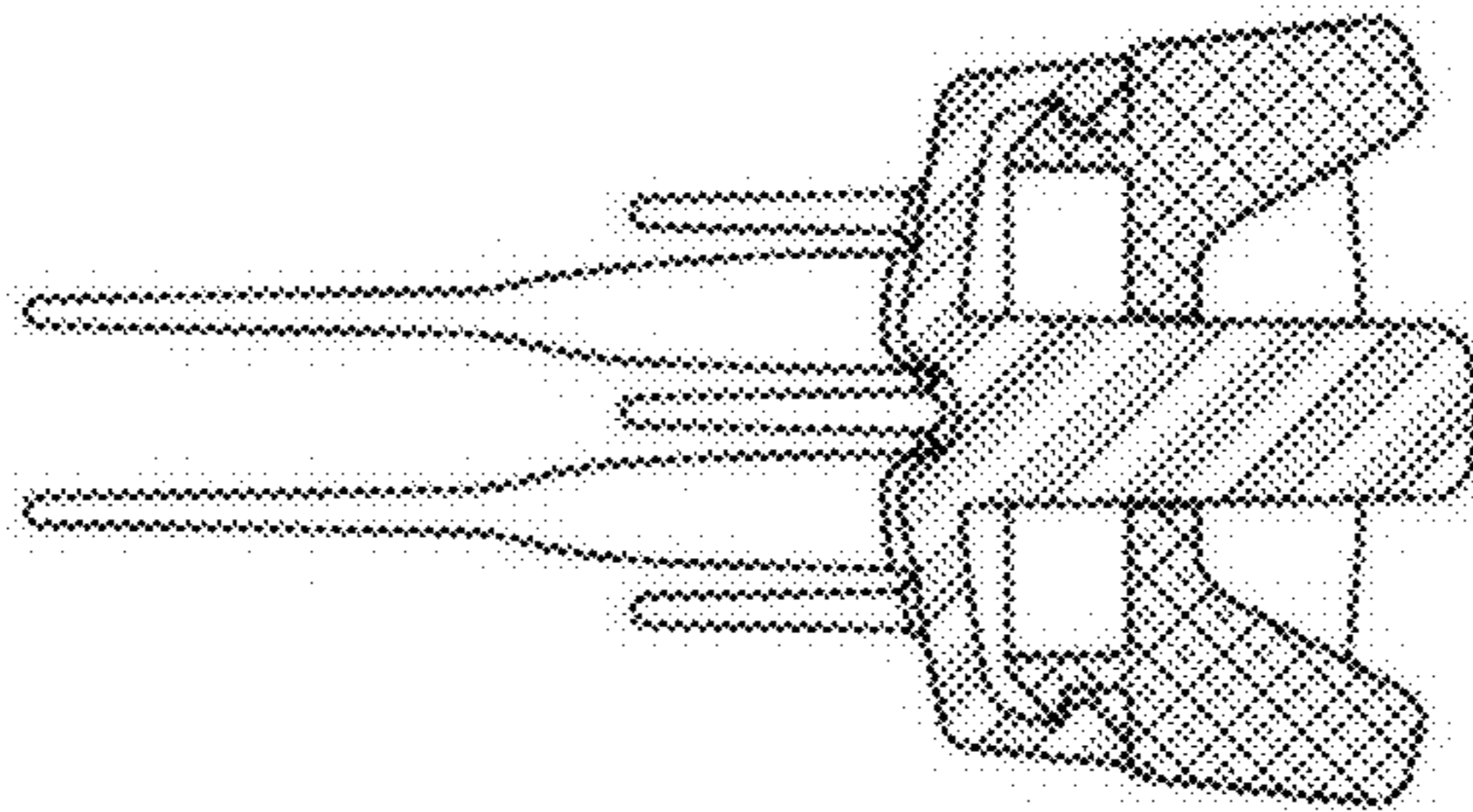




1.8



1.9



1.10

