



US00D825934S

(12) **United States Design Patent**
Forrest

(10) **Patent No.:** **US D825,934 S**
(45) **Date of Patent:** **** Aug. 21, 2018**

- (54) **NAIL BRUSH BASE**
- (71) Applicant: **Andrea Forrest**, St. Albans, VT (US)
- (72) Inventor: **Andrea Forrest**, St. Albans, VT (US)
- (**) Term: **15 Years**
- (21) Appl. No.: **29/628,609**
- (22) Filed: **Dec. 6, 2017**

- 3,354,492 A * 11/1967 Baumgartner A45D 29/17
15/106
- D222,199 S * 10/1971 Pepeil et al. D4/120
- 3,755,054 A * 8/1973 Medney B29C 37/02
156/181
- 4,610,743 A * 9/1986 Salmeen B31F 1/07
156/183
- 5,762,312 A * 6/1998 Whittaker F16F 1/376
248/632
- D454,250 S * 3/2002 Forrest D4/100
- D466,302 S * 12/2002 Ping D4/104
- D530,923 S * 10/2006 Kling D4/104
- D698,694 S * 2/2014 Thuma D11/152
- D714,066 S * 9/2014 Thuma D5/99
- D760,455 S * 6/2016 Shinozaki D32/25

Related U.S. Application Data

- (62) Division of application No. 29/594,663, filed on Feb. 21, 2017, now Pat. No. Des. 805,787.
- (51) **LOC (11) Cl.** **04-02**
- (52) **U.S. Cl.**
USPC **D4/134**
- (58) **Field of Classification Search**
USPC D4/100, 118, 120, 121, 122, 129, 130,
D4/134, 199; D24/214; D28/44, 49, 53,
D28/56, 58, 59; D32/40, 42; D3/201,
D3/203.2, 203.4; D25/100
CPC A46B 15/00; A46B 15/0087; A46B
2200/1013; A45D 29/04; A45D 2029/045;
A45D 29/05; A45D 29/06; A45D 29/11;
A45D 29/14
See application file for complete search history.

(Continued)

FOREIGN PATENT DOCUMENTS

- KR 300622729.0000 * 11/2011
- WO WO-D036467-045 * 7/1996

Primary Examiner — Karen E Eldridge Powers
(74) *Attorney, Agent, or Firm* — Downs Rachlin Martin PLLC

(57) **CLAIM**

The ornamental design for a nail brush base, as shown and described.

DESCRIPTION

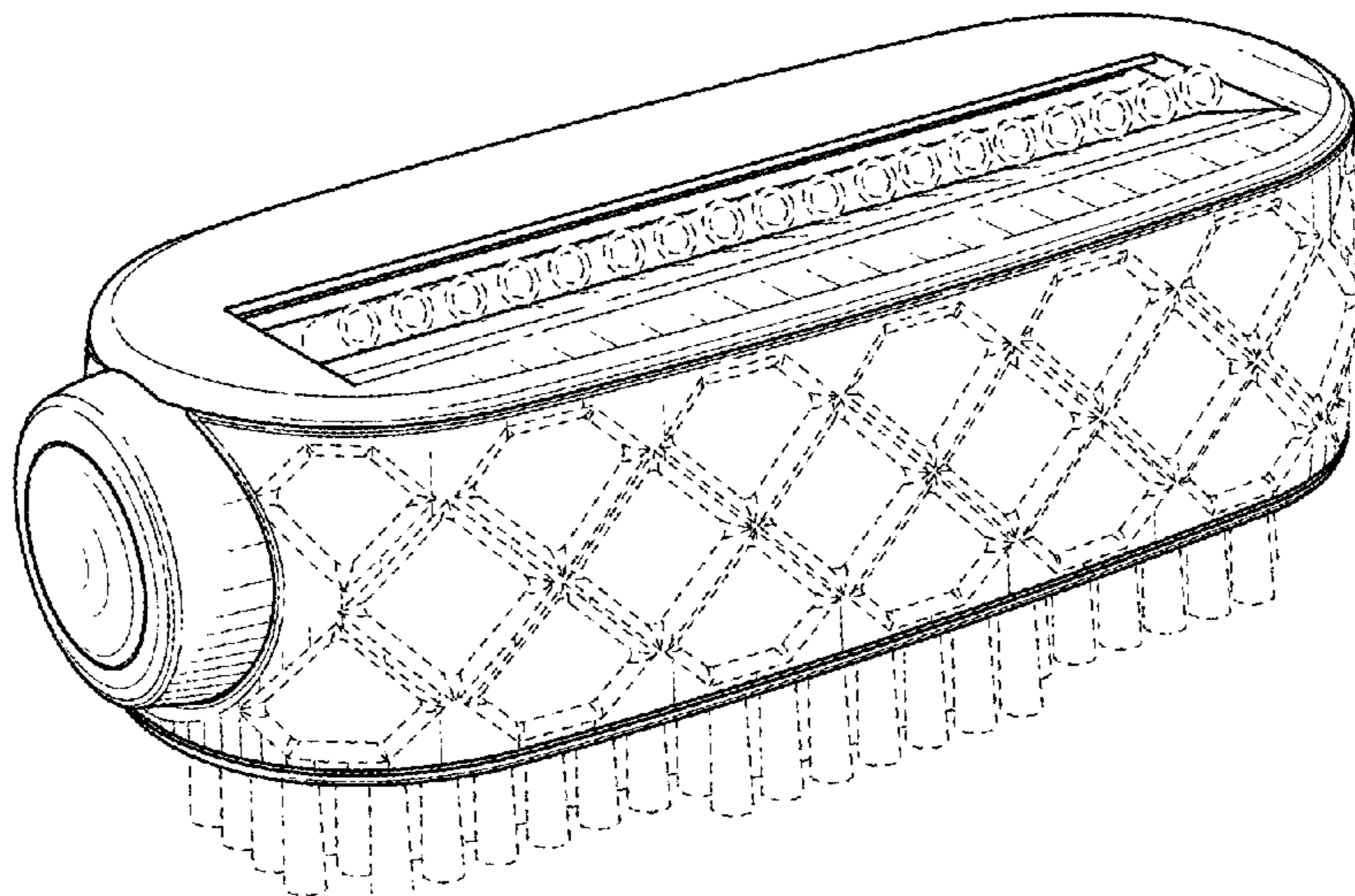
FIG. 1 is a perspective view of an embodiment of a nail brush base showing my new design;
 FIG. 2 is a side elevation view thereof;
 FIG. 3 is another side elevation view thereof;
 FIG. 4 is an end elevation view thereof;
 FIG. 5 is another end elevation view thereof;
 FIG. 6 is a top plan view thereof; and,
 FIG. 7 is a bottom plan view thereof.
 The dash-dash-dash type broken lines in the Figures are for the purpose of illustrating unclaimed portions of the nail brush base and form no part of the claimed design.

(56) **References Cited**

U.S. PATENT DOCUMENTS

- D29,883 S * 12/1898 Fox D4/130
- 1,028,211 A * 6/1912 Heath 15/167.1
- 1,889,394 A * 11/1932 Zerk A46B 15/00
15/167.1
- 2,447,451 A * 8/1948 Windmoeller A45D 29/04
132/313
- 2,546,394 A * 3/1951 Harmon A47G 27/0231
248/633
- D182,003 S * 1/1958 Scholl D4/120

1 Claim, 2 Drawing Sheets



(56)

References Cited

U.S. PATENT DOCUMENTS

D762,221 S * 7/2016 Woo D14/485
D764,124 S * 8/2016 Shinozaki D32/25
D805,787 S * 12/2017 Forrest D4/134
2006/0101597 A1* 5/2006 Donnelly A46B 11/002
15/21.1
2015/0289636 A1* 10/2015 Myers A46B 9/026
15/22.1
2016/0309877 A1* 10/2016 Papshev A45D 29/00

* cited by examiner

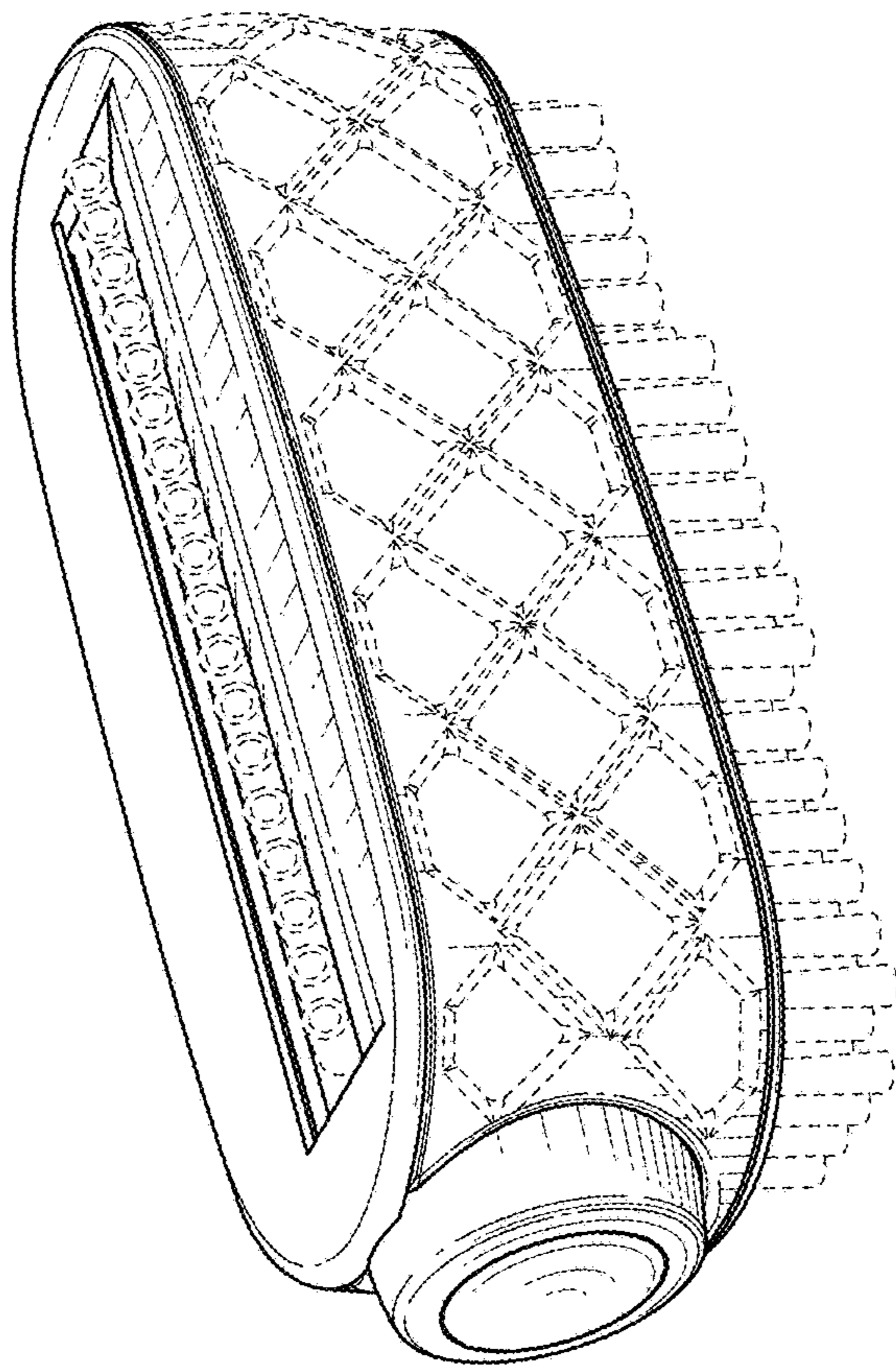


FIG. 1

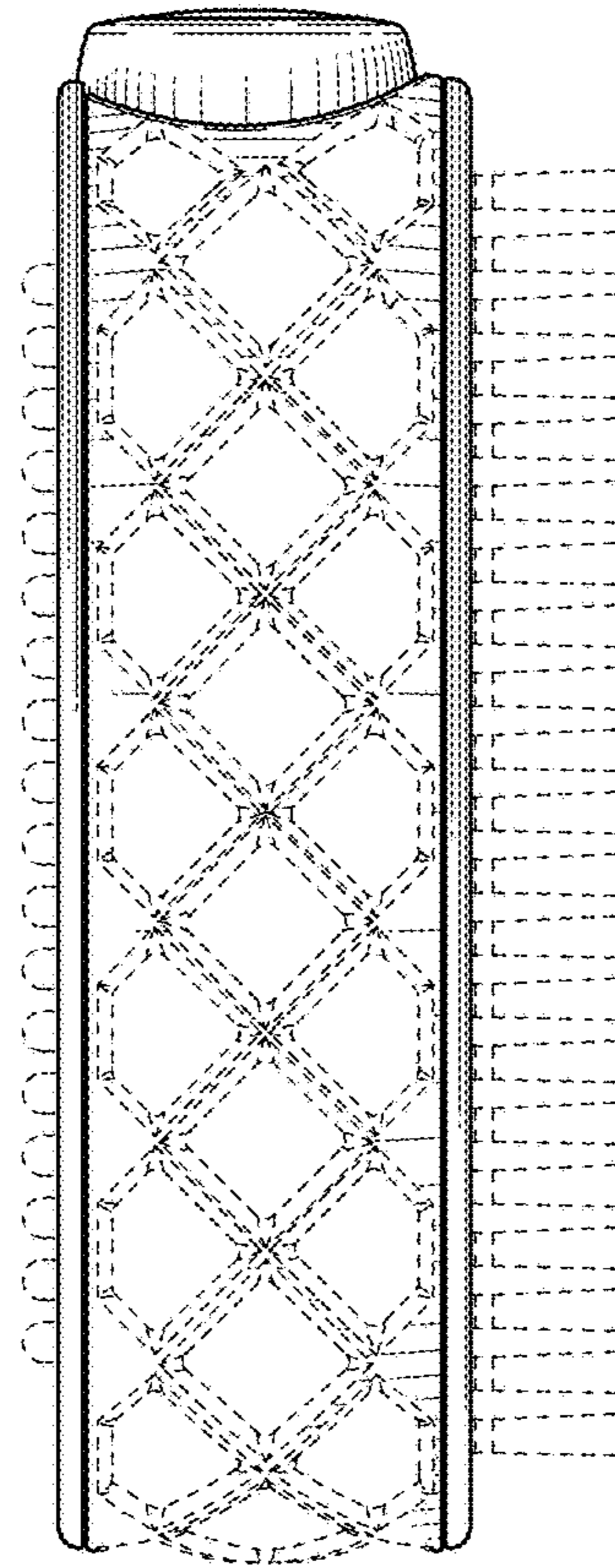


FIG. 3

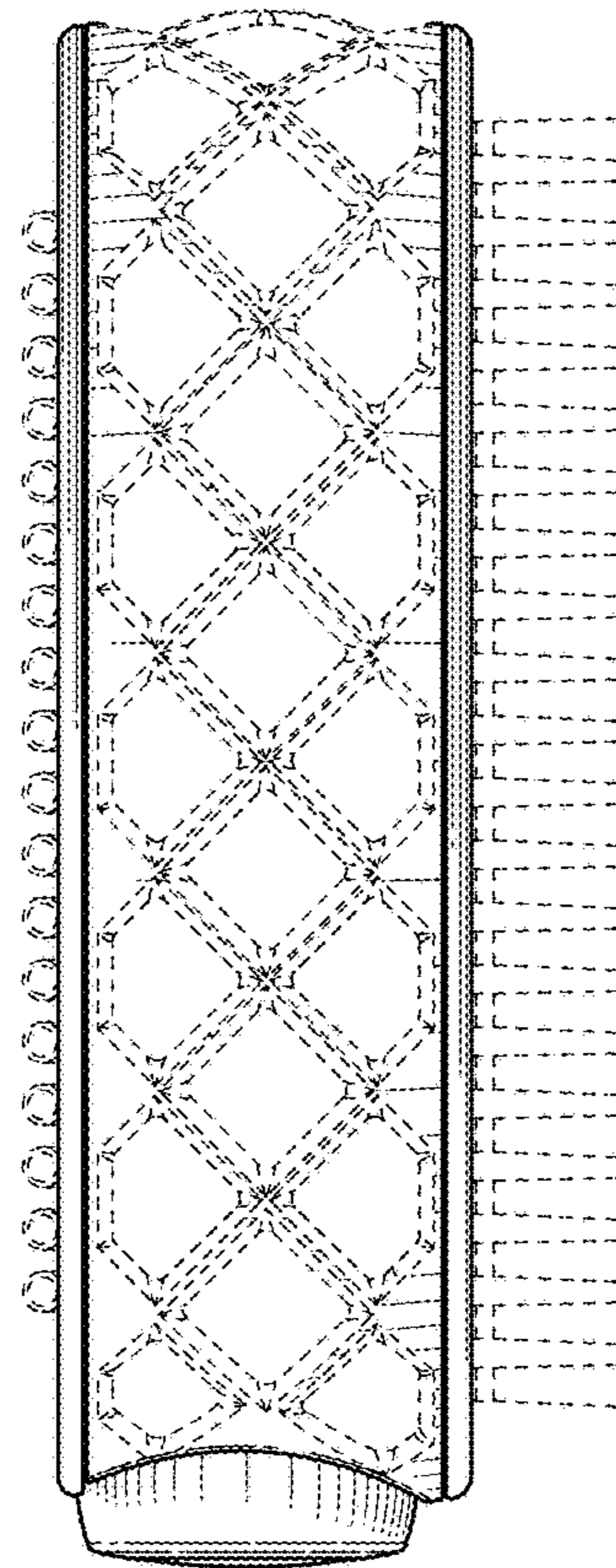


FIG. 2

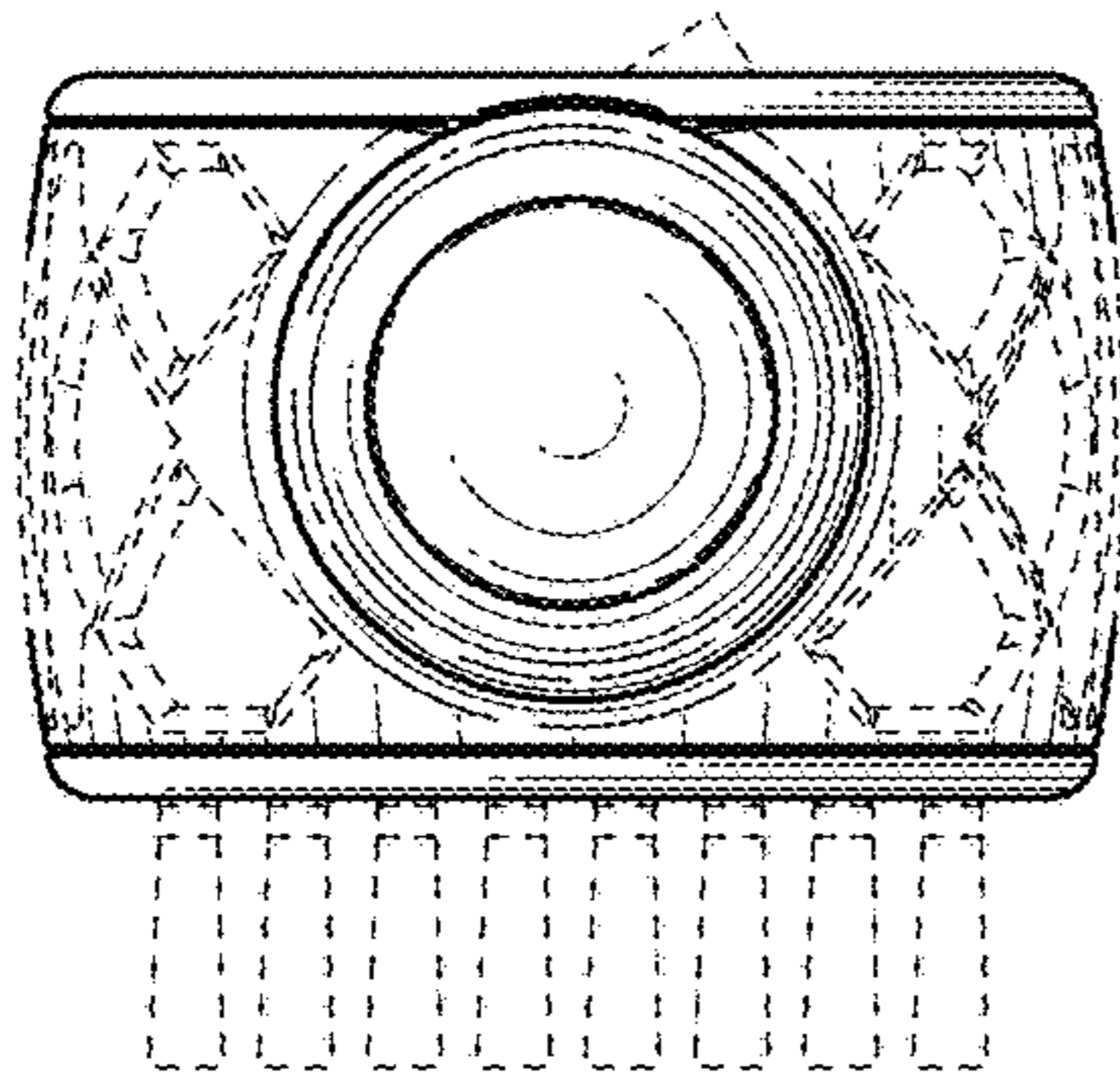


FIG. 4

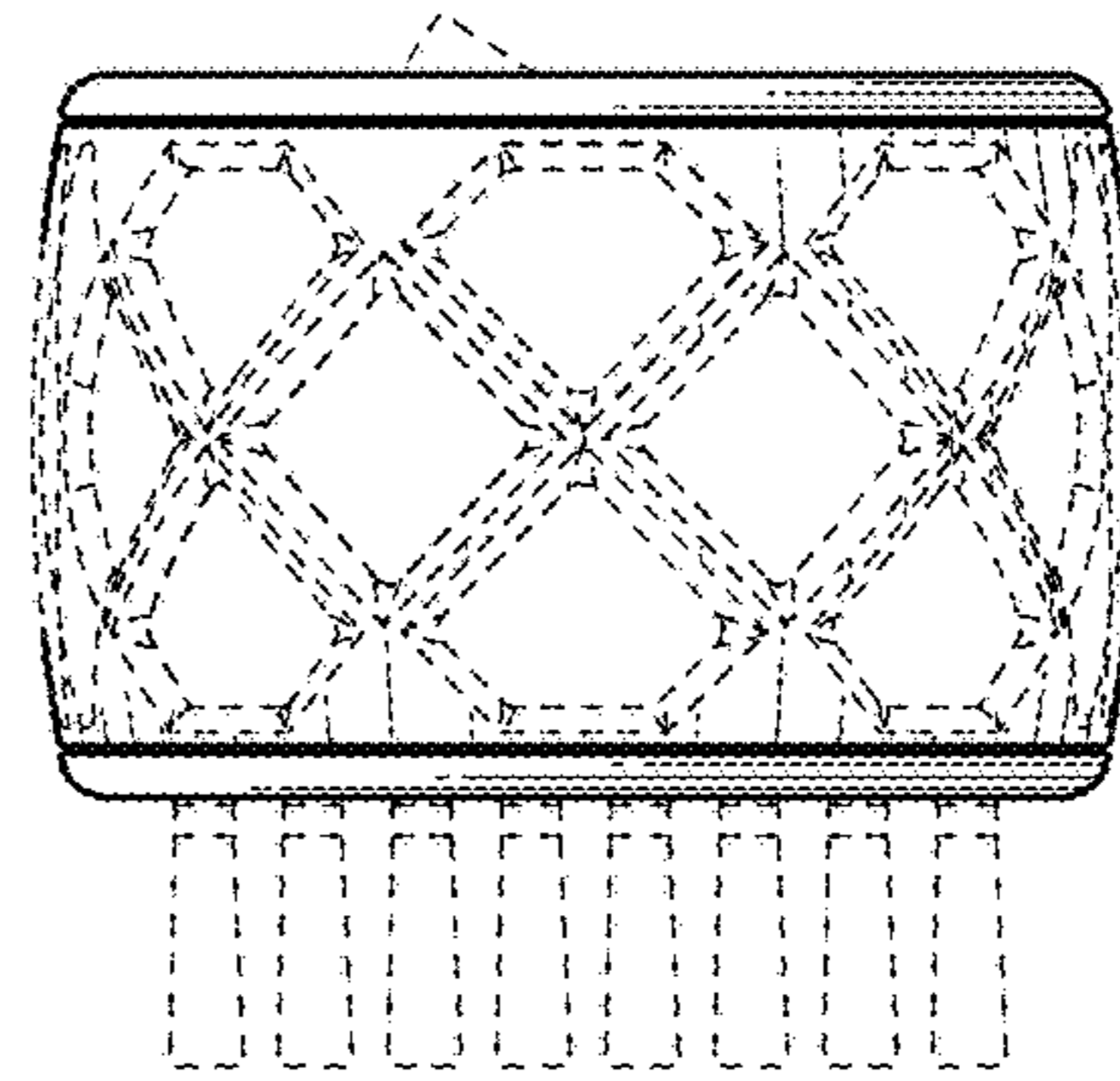


FIG. 5

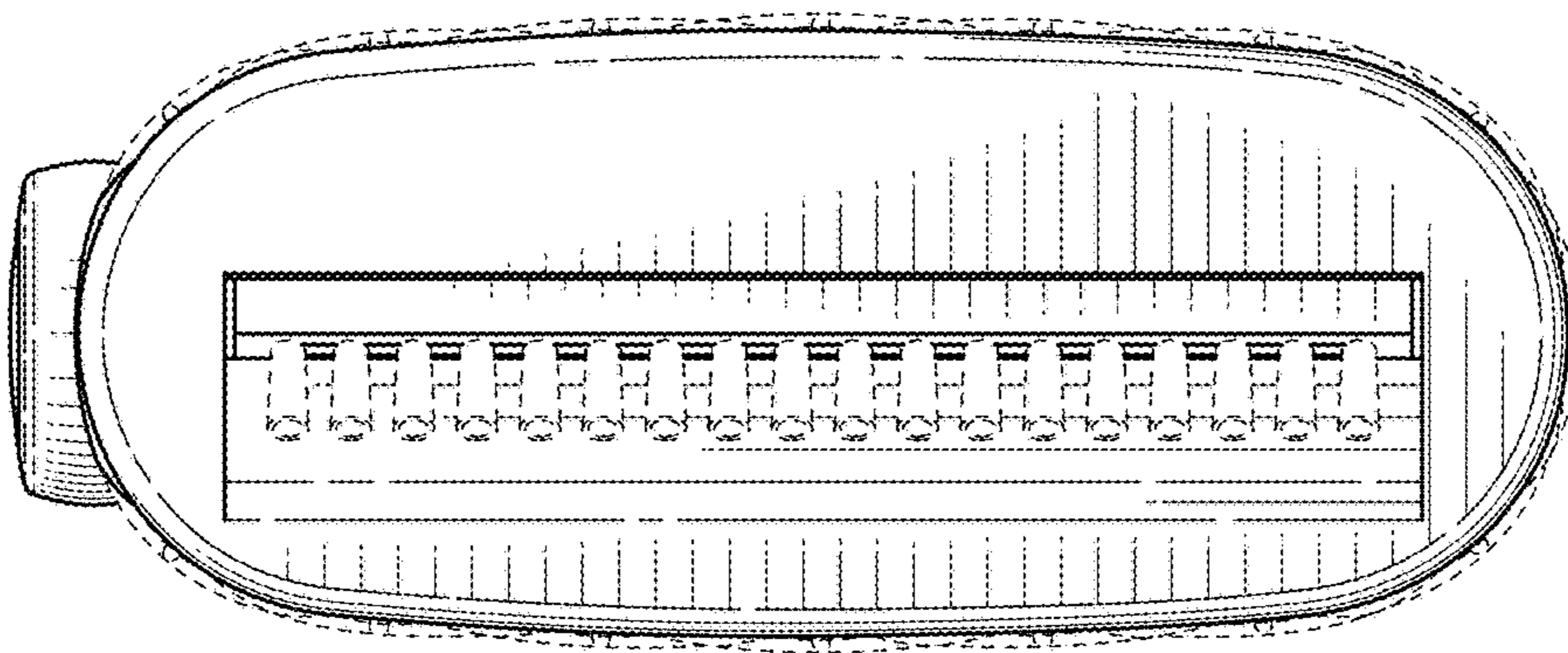


FIG. 6

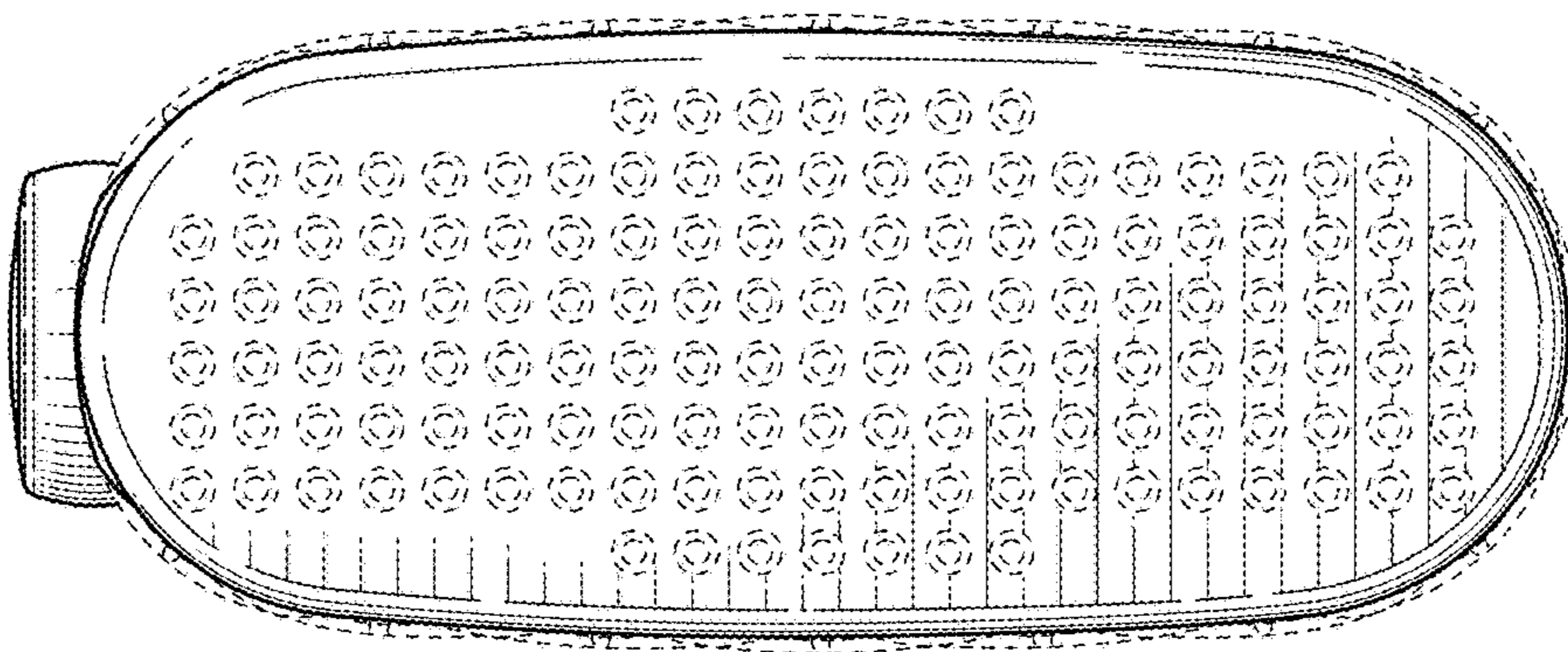


FIG. 7