



US00D825931S

(12) **United States Design Patent** (10) **Patent No.:** **US D825,931 S**  
**Chitayat et al.** (45) **Date of Patent:** **\*\* Aug. 21, 2018**

- (54) **FOAMING BRUSH** D322,172 S \* 12/1991 Cheng ..... D4/108
- (71) Applicant: **FC Brands Limited**, Central Hong Kong (HK) D347,944 S \* 6/1994 Honora ..... D4/108
- (72) Inventors: **David Denny Chitayat**, Shanghai (CN); **Pieter Schouten**, Berkeley, CA (US); **Heather Tomasetti Kauffman**, Larchmont, NY (US); **Tal Chitayat**, New York, NY (US) 5,337,764 A 8/1994 McKay
- (73) Assignee: **FC Brands Ltd.**, Central Hong Kong (HK) 5,440,808 A 8/1995 Wexler

- D381,771 S 7/1997 Chern
- D387,704 S 12/1997 Berti
- D414,005 S 9/1999 Lehnertz
- D415,007 S 10/1999 Jimenez et al.
- 5,961,235 A 10/1999 Kennedy
- 6,042,286 A 3/2000 Paziienza
- D433,816 S 11/2000 Viner
- 6,244,776 B1 6/2001 Wiley
- 6,334,449 B1 1/2002 Burrowes et al.
- D459,585 S \* 7/2002 Moreno ..... D4/108
- 6,533,484 B1 3/2003 Osei et al.

(\*\*) Term: **15 Years**

(21) Appl. No.: **29/593,603**

(22) Filed: **Feb. 10, 2017**

(51) **LOC (11) Cl.** ..... **04-01**

(52) **U.S. Cl.**  
USPC ..... **D4/114**

(58) **Field of Classification Search**  
USPC .... D4/114, 108, 107, 133, 137; D32/40, 45; D28/7; D14/127; 15/22.1; 132/112  
CPC ..... A46B 11/0041; A01K 13/002  
See application file for complete search history.

(56) **References Cited**

U.S. PATENT DOCUMENTS

- 979,377 A 12/1910 Campbell
- 2,601,689 A 7/1952 Mallard
- 2,742,660 A 4/1956 Esley
- 2,810,150 A 10/1957 Ellman
- 2,860,359 A 11/1958 James
- D202,874 S 11/1965 Luedtke
- D226,462 S 3/1973 Gibbs
- 3,775,017 A 11/1973 Jerry
- 3,847,151 A 11/1974 D'Alessandro et al.
- D281,123 S 10/1985 Frassanito
- 4,927,283 A 5/1990 Fitjer
- 4,934,855 A 6/1990 Recchelbacher

FOREIGN PATENT DOCUMENTS

- DE 202008016349 4/2009
- WO 2010144938 A1 12/2010

*Primary Examiner* — Rhea Shields  
(74) *Attorney, Agent, or Firm* — Pierce Atwood LLP

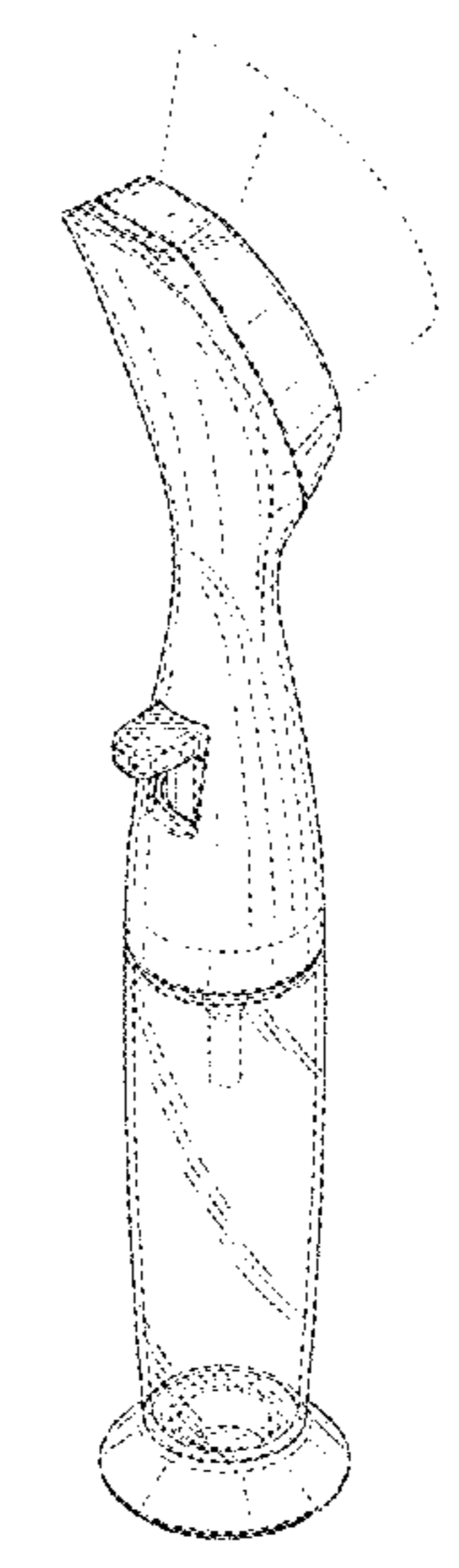
(57) **CLAIM**

The ornamental design for a foaming brush, as shown and described.

**DESCRIPTION**

FIG. 1 is a rear perspective view of a foaming brush showing the design;  
FIG. 2 is a rear elevation view thereof;  
FIG. 3 is a front elevation view thereof;  
FIG. 4 is a right elevation view thereof;  
FIG. 5 is a left elevation view thereof;  
FIG. 6 is a top plan view thereof; and,  
FIG. 7 is a bottom plan view thereof.  
Broken lines in the drawings are for the purpose of illustrating environmental structure and form no part of the claimed design.

**1 Claim, 4 Drawing Sheets**



(56)

References Cited

U.S. PATENT DOCUMENTS

6,629,799 B2 10/2003 Flores, Jr.  
 6,672,784 B2 1/2004 Baumann et al.  
 D493,254 S \* 7/2004 Angeletta ..... D28/7  
 D493,962 S 8/2004 Dotterman et al.  
 D502,301 S 2/2005 Hay  
 6,983,866 B2 1/2006 Smart et al.  
 7,059,333 B2 6/2006 Duqueroie  
 D524,547 S 7/2006 Hay  
 D547,067 S 7/2007 Choi  
 D549,411 S 8/2007 McNeeley et al.  
 D553,794 S 10/2007 Walker  
 D554,314 S 10/2007 Kubes et al.  
 7,461,993 B1 12/2008 Sampaio  
 7,484,260 B2 2/2009 Jaffe  
 D602,695 S \* 10/2009 Koye ..... D4/107  
 D602,697 S 10/2009 Chitayat et al.  
 7,614,811 B2 11/2009 Kaufman et al.  
 D606,269 S 12/2009 Treeby et al.  
 D613,069 S \* 4/2010 Smith ..... D4/108  
 D622,017 S 8/2010 Murphy, Jr.  
 7,814,917 B2 \* 10/2010 Hurwitz ..... A01K 13/002  
 132/112  
 D628,806 S 12/2010 van der Lande  
 7,934,512 B2 5/2011 Spagnuolo  
 8,087,843 B2 \* 1/2012 Ottaviani ..... A46B 11/0041  
 15/22.1  
 D660,005 S \* 5/2012 Prague ..... D4/114  
 8,172,106 B2 5/2012 Clamp et al.  
 D685,549 S 7/2013 Wong  
 8,475,070 B1 7/2013 Miner et al.

D690,481 S 9/2013 Roehm et al.  
 8,979,785 B2 3/2015 Korogi et al.  
 D734,908 S 7/2015 Chitayat et al.  
 D737,531 S 8/2015 Chitayat et al.  
 D762,392 S 8/2016 Chitayat et al.  
 D768,389 S \* 10/2016 Rosenzweig ..... D4/114  
 D771,955 S \* 11/2016 Chitayat ..... D4/114  
 D774,014 S \* 12/2016 Chitayat ..... D14/128  
 D775,471 S 1/2017 Chitayat et al.  
 D787,831 S \* 5/2017 Jack ..... D32/45  
 D798,606 S \* 10/2017 Kim ..... D4/137  
 D804,828 S \* 12/2017 Gulamani ..... D4/133  
 D805,786 S \* 12/2017 Morton ..... D4/133  
 D811,033 S \* 2/2018 Brown ..... D32/40  
 D815,439 S \* 4/2018 Libman ..... D4/114  
 D817,645 S \* 5/2018 Szymanski ..... D4/114  
 D818,717 S \* 5/2018 Gulamani ..... D4/133  
 2002/0076255 A1 6/2002 Hoang et al.  
 2004/0105715 A1 6/2004 Spelman et al.  
 2005/0257800 A1 11/2005 Inoue  
 2005/0273959 A1 12/2005 Dillon  
 2006/0021628 A1 2/2006 Mu et al.  
 2006/0032010 A1 2/2006 Francois  
 2007/0124880 A1 6/2007 Petner et al.  
 2007/0180637 A1 8/2007 McKay  
 2007/0293794 A1 12/2007 Siegreest et al.  
 2008/0209650 A1 9/2008 Brewer et al.  
 2009/0038092 A1 2/2009 Kennedy et al.  
 2009/0260172 A1 10/2009 Weiss  
 2009/0263174 A1 10/2009 Groh et al.  
 2016/0000213 A1 1/2016 Neumann et al.  
 2016/0157596 A1 6/2016 Fifield

\* cited by examiner

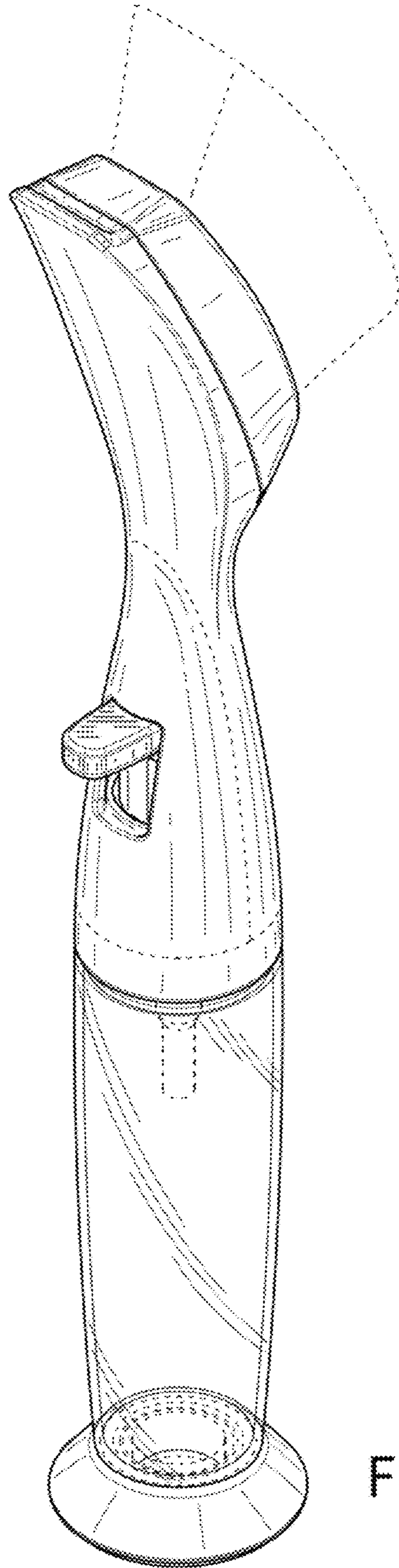


FIG. 1

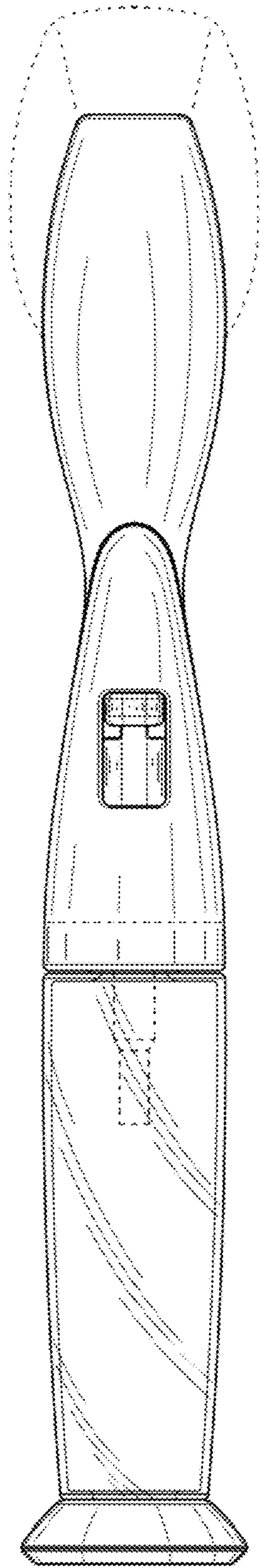


FIG. 2

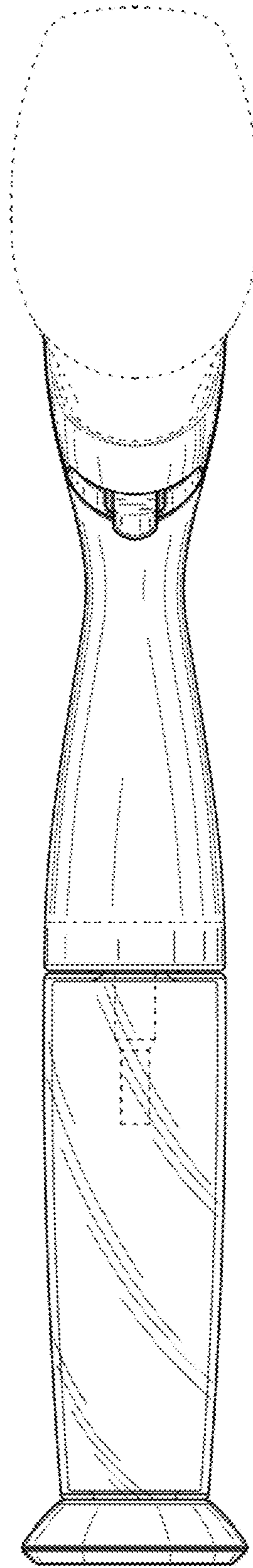


FIG. 3

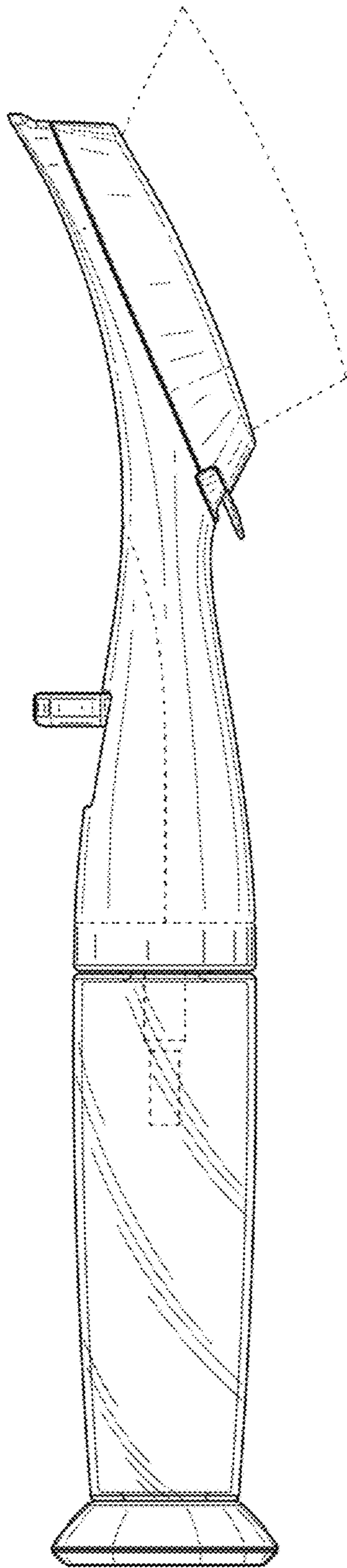


FIG. 4

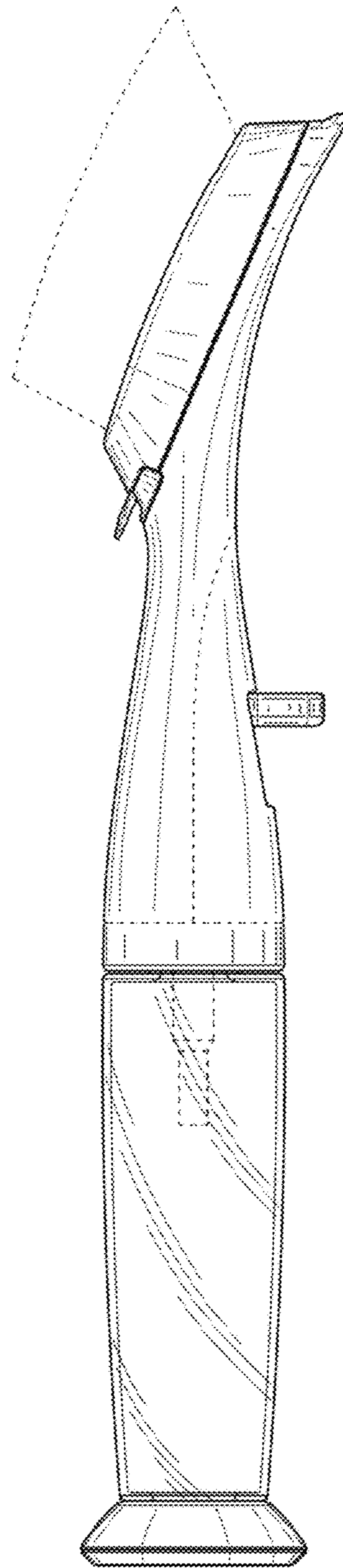


FIG. 5

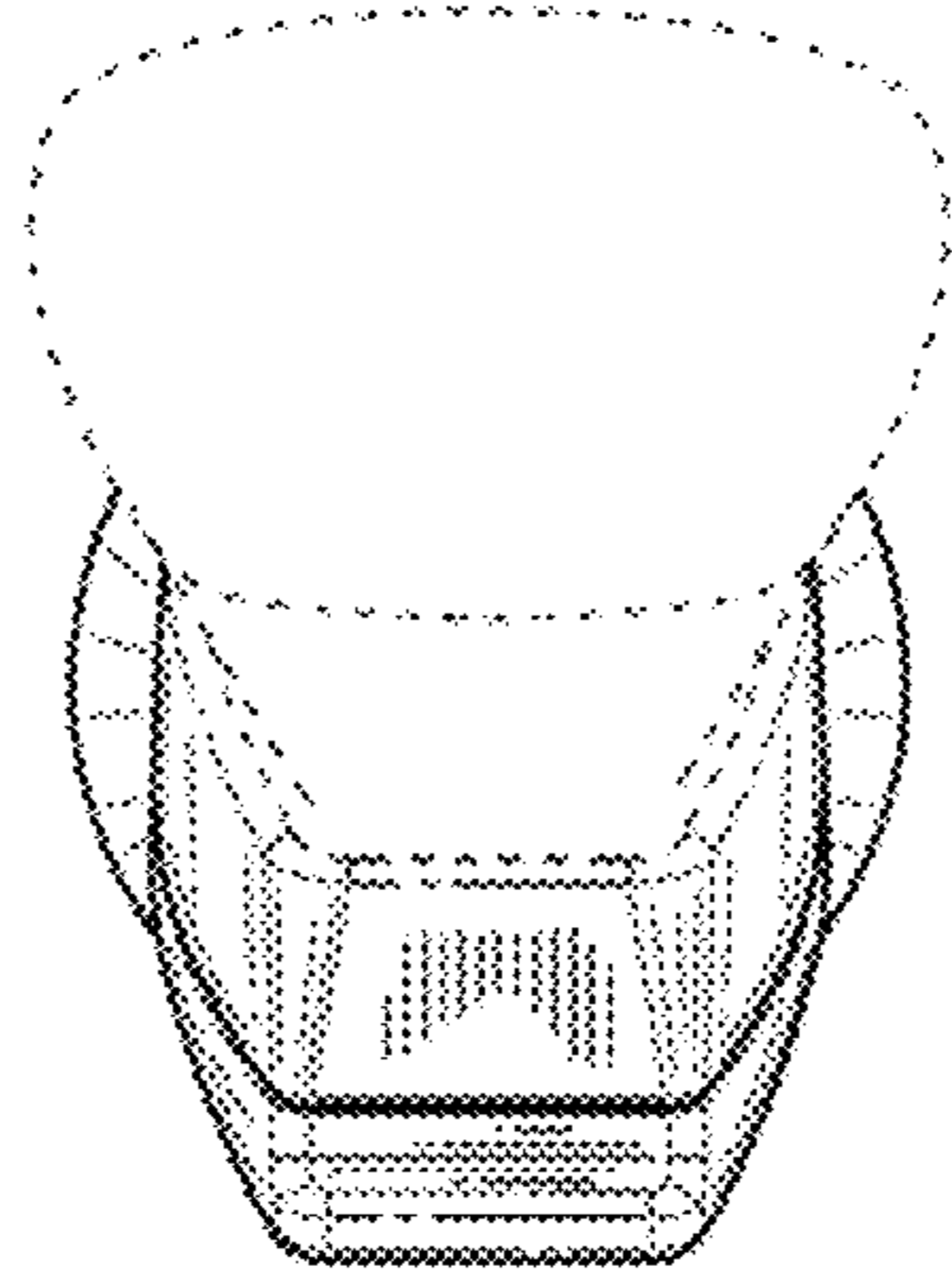


FIG. 6

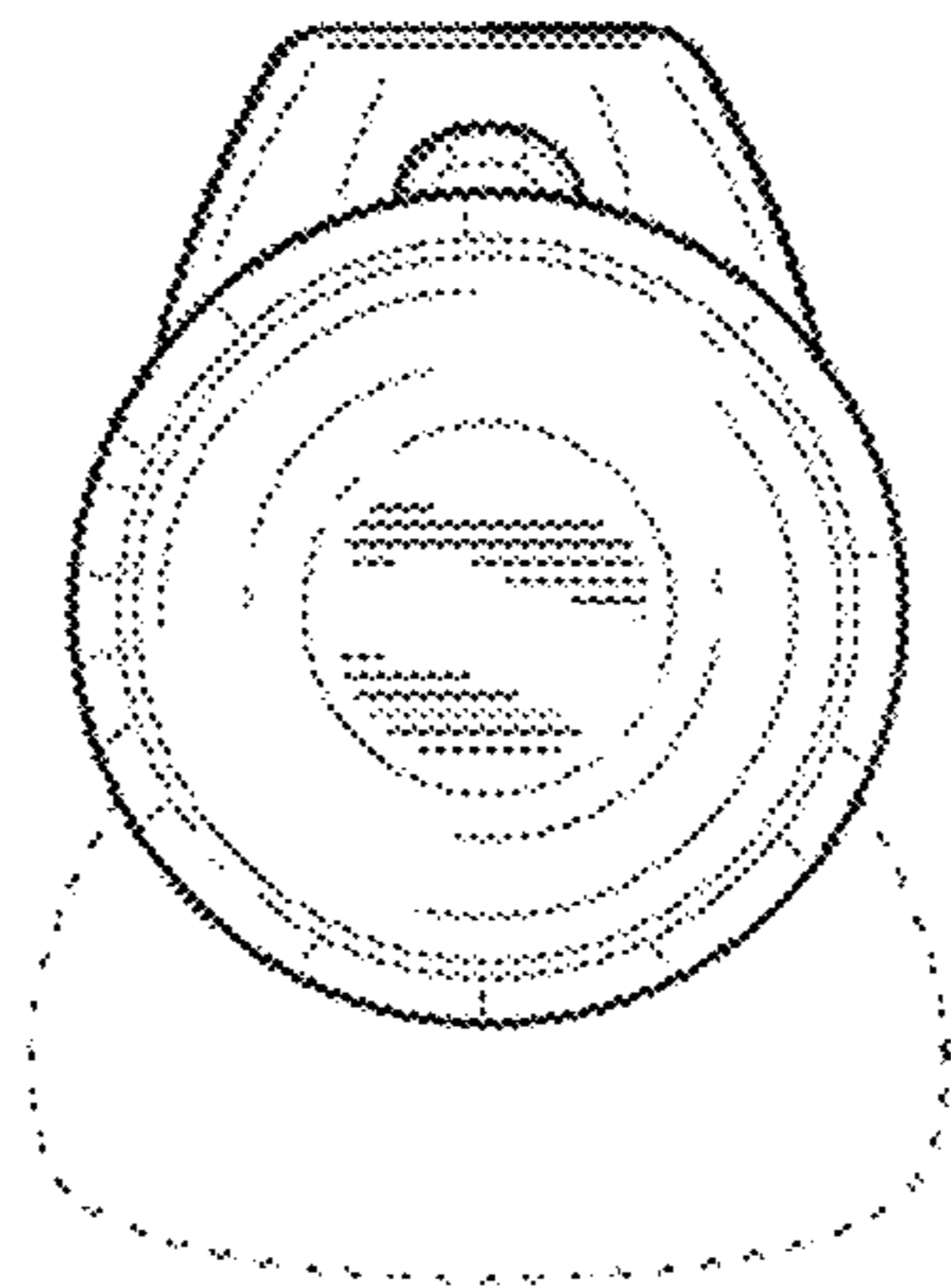


FIG. 7