



US00D825921S

(12) **United States Design Patent** (10) **Patent No.:** **US D825,921 S**
Pennington (45) **Date of Patent:** **** Aug. 21, 2018**

(54) TOOL STORAGE BAG	D647,301 S * 10/2011 Sosnovsky D3/283
	D648,533 S * 11/2011 Sosnovsky D3/283
(71) Applicant: Irwin Industrial Tool Company, Huntersville, NC (US)	D695,568 S * 12/2013 Hayes D3/233
	D701,045 S * 3/2014 Menirom D3/283
	D720,131 S * 12/2014 Siegel D3/233
	D721,484 S * 1/2015 Russell D3/233
	D779,194 S * 2/2017 Kinskey D3/228
(72) Inventor: Stephen Pennington, Kalamazoo, MI (US)	2004/0055679 A1 * 3/2004 Gordon A45C 11/24 150/112
	2009/0008281 A1 * 1/2009 Williams B25H 3/00 206/373
(73) Assignee: Irwin Industrial Tool Company, Huntersville, NC (US)	

(**) Term: **15 Years**

(21) Appl. No.: **29/585,157**

(22) Filed: **Nov. 21, 2016**

(51) **LOC (11) Cl.** **03-01**

(52) **U.S. Cl.**
USPC **D3/283; D3/285; D3/289; D3/905**

(58) **Field of Classification Search**
USPC D3/203.6, 217, 218, 233, 249, 269, 274,
D3/276, 279, 282, 284, 288, 289, 290,
D3/900, 901, 902, 905, 313, 903, 272,
D3/302, 261, 285
CPC .. B65D 85/68; A45C 3/00; A45C 5/00; A45C
2003/007; A45C 2003/008; A45C 5/03;
A45C 5/04; A45C 7/0036; A45C
2009/007; A45C 11/16; A45C 7/00; A45C
7/0059

See application file for complete search history.

(56) **References Cited**

U.S. PATENT DOCUMENTS

D282,602 S * 2/1986 Allen D3/287
D284,623 S * 7/1986 Gerch D3/274
D300,986 S * 5/1989 Peregrine D3/289
D302,211 S * 7/1989 Sears D3/217
D334,839 S * 4/1993 Dancyger D3/246
D498,924 S * 11/2004 Karl D3/287
D505,012 S * 5/2005 Godshaw D3/287
7,604,103 B2 * 10/2009 Hamlin A45C 7/0022 150/112
D630,844 S * 1/2011 Wang D3/232

OTHER PUBLICATIONS

Lowes Online Shop, "IRWIN Polyester Zippered Closed Tool Bag",
Accessed Oct. 23, 2017, Reviewed as early as May 22, 2017.
(<https://www.lowes.com/pd/IRWIN-Polyester-Zippered-Closed-Tool-Bag/1000168843>).*

(Continued)

Primary Examiner — Jennifer Rivard
Assistant Examiner — April Rivas
(74) *Attorney, Agent, or Firm* — Bruce S. Shapiro; Carl
E. Myers

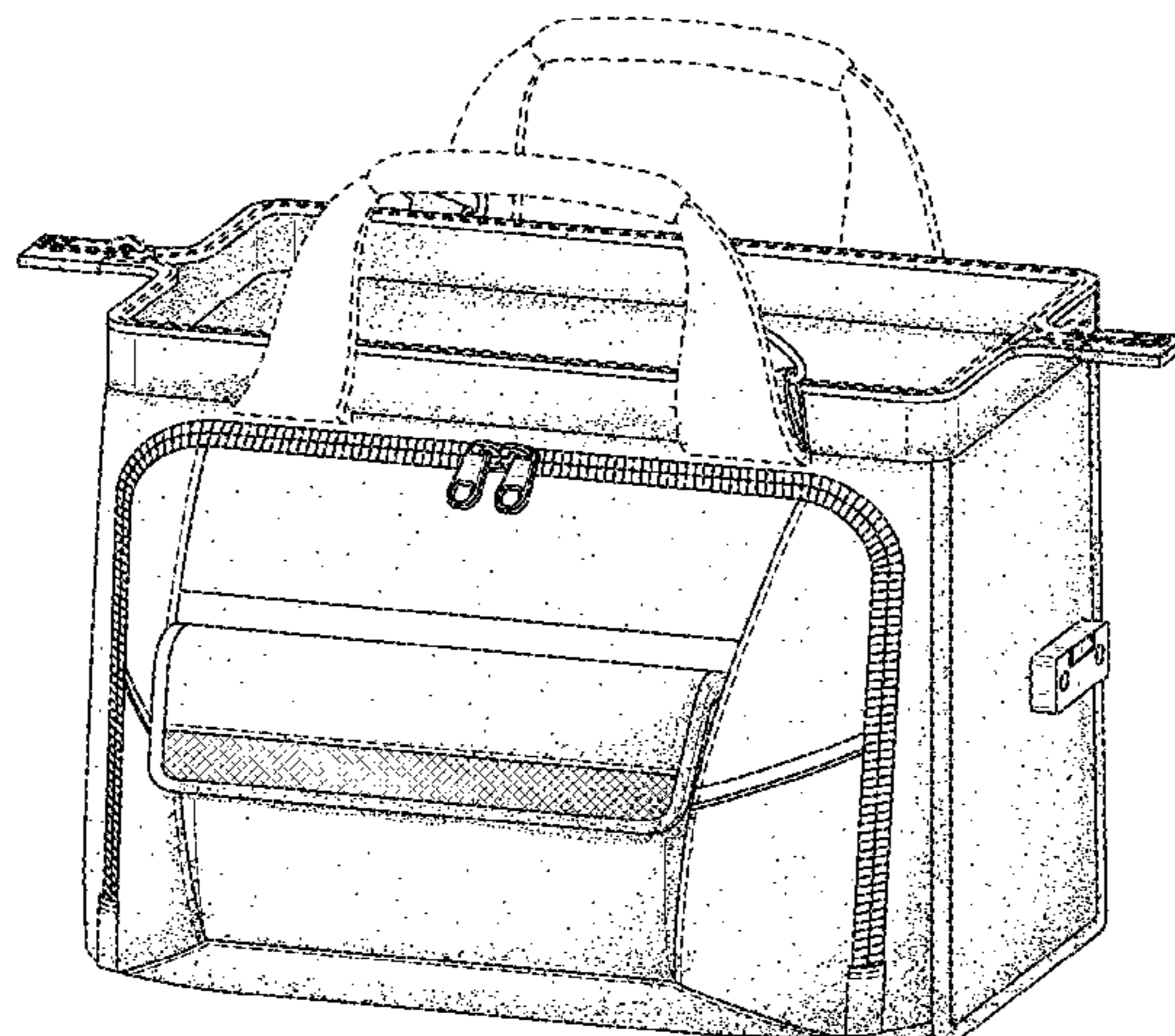
(57) **CLAIM**

The ornamental design for a "tool storage bag," as shown
and described.

DESCRIPTION

FIG. 1 is a front and top perspective view;
FIG. 2 is a front view;
FIG. 3 is a back view;
FIG. 4 is a right view;
FIG. 5 is a left view;
FIG. 6 is a top view; and,
FIG. 7 is a bottom view.
The broken lines illustrate portions of the tool storage bag
and form no part of the claimed design.

1 Claim, 7 Drawing Sheets



(56)

References Cited

OTHER PUBLICATIONS

Amazon, "WORKPRO 16-inch Wide Mouth Tool Bag with Water Proof Molded Base", Accessed Oct. 23, 2017, First available Nov. 10, 2015. (<https://www.amazon.com/WORKPRO-16-inch-Mouth-Water-Molded/dp/B017SODKZ2>).*

* cited by examiner

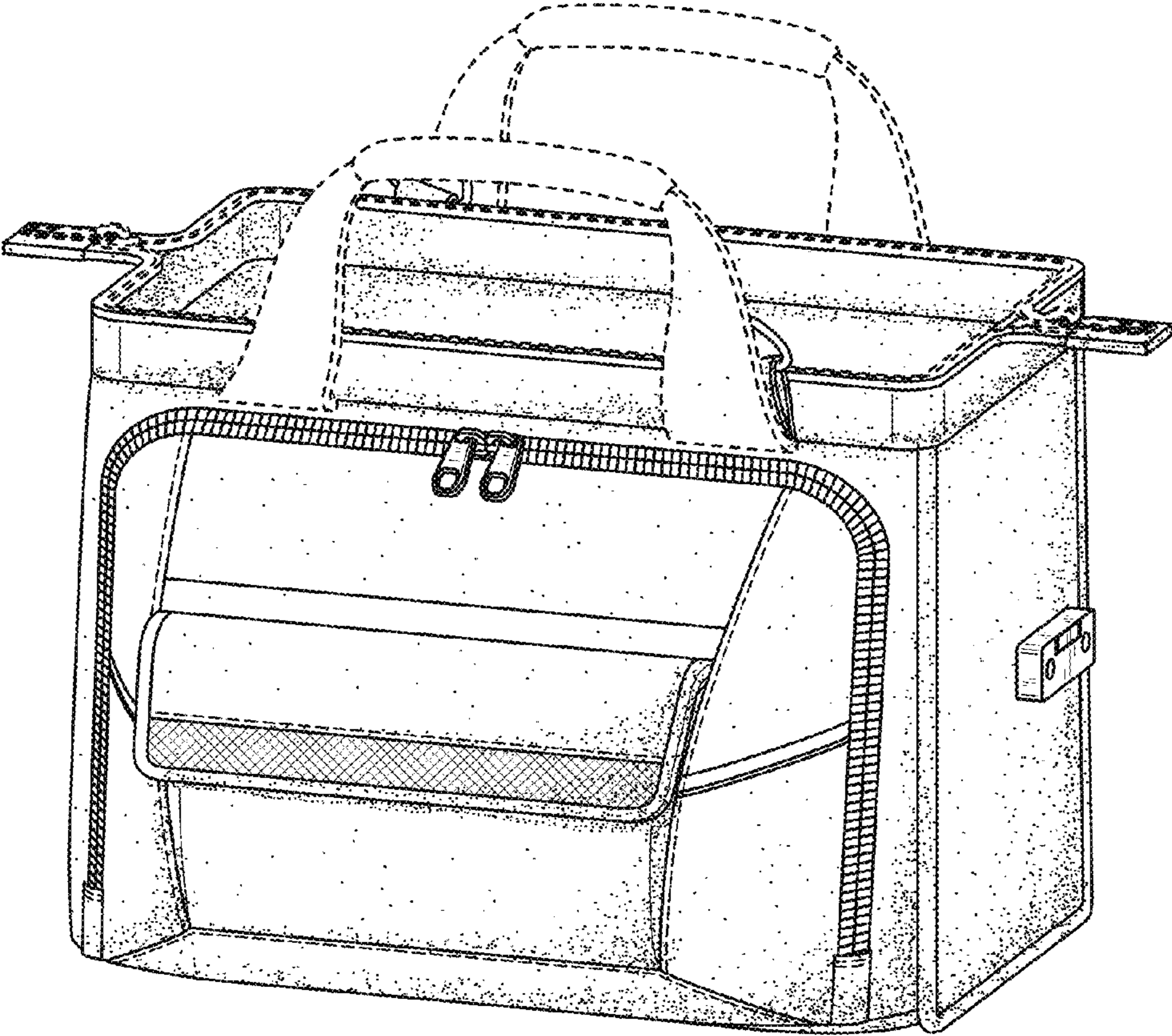


FIG. 1

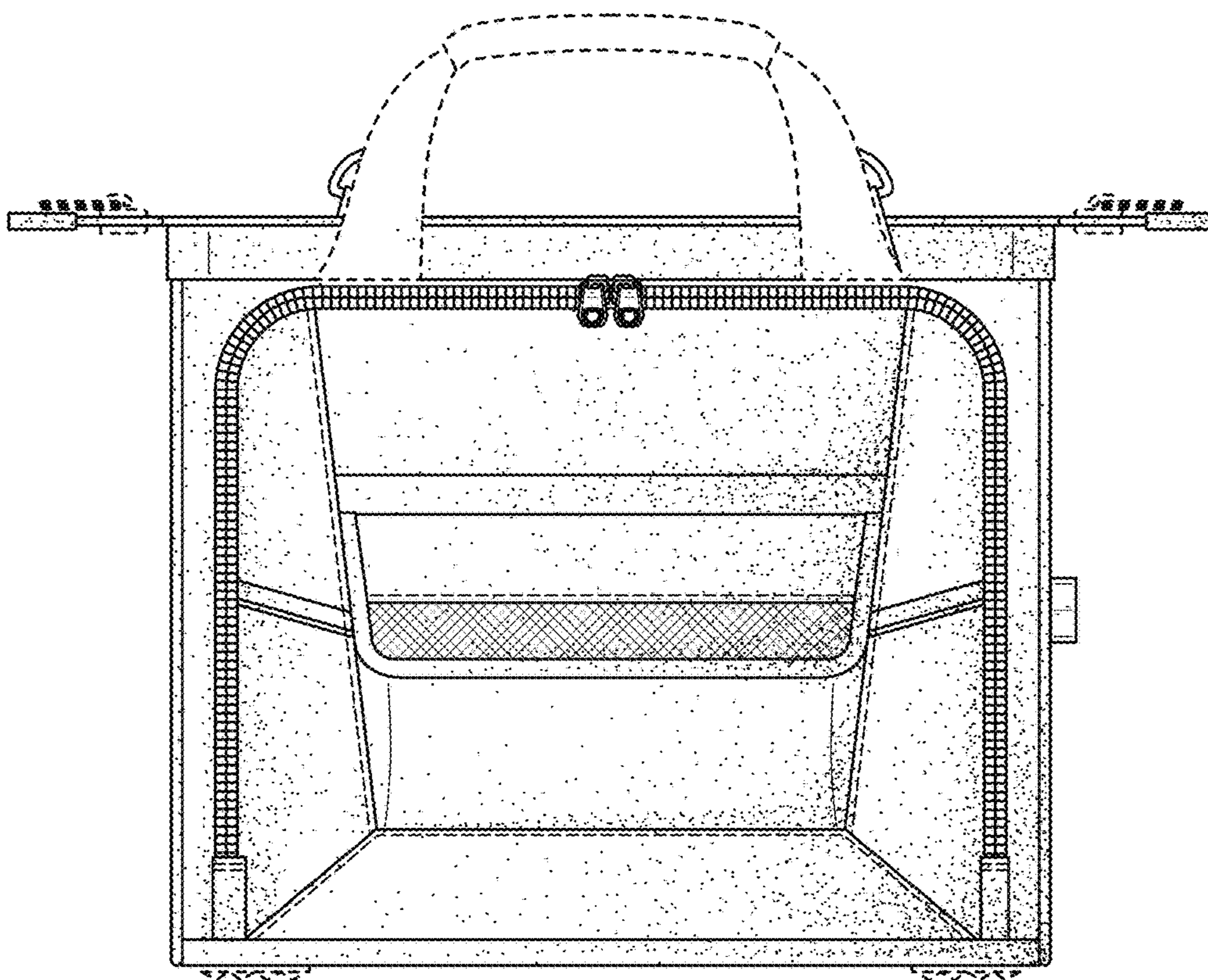


FIG. 2

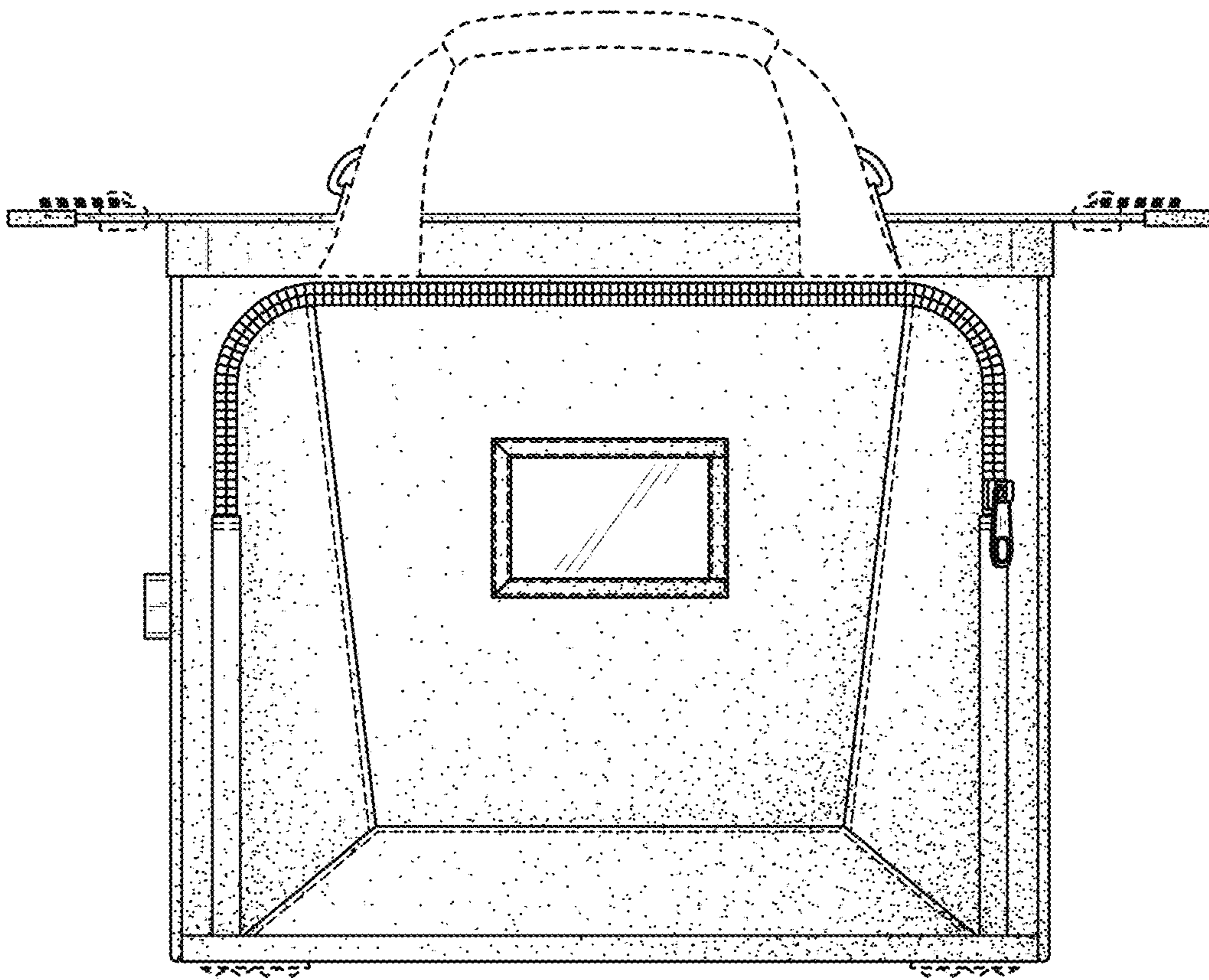


FIG. 3

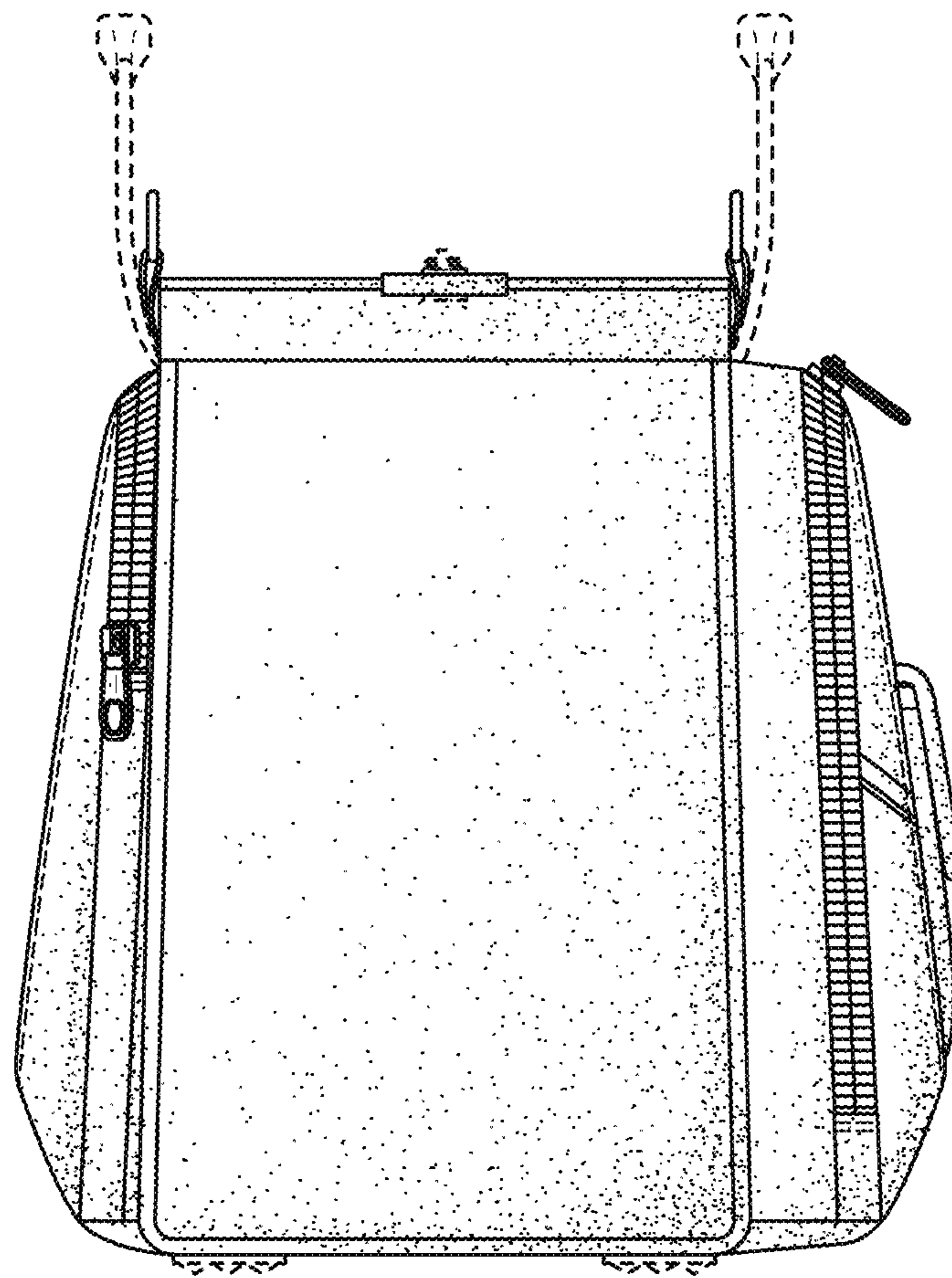


FIG. 4

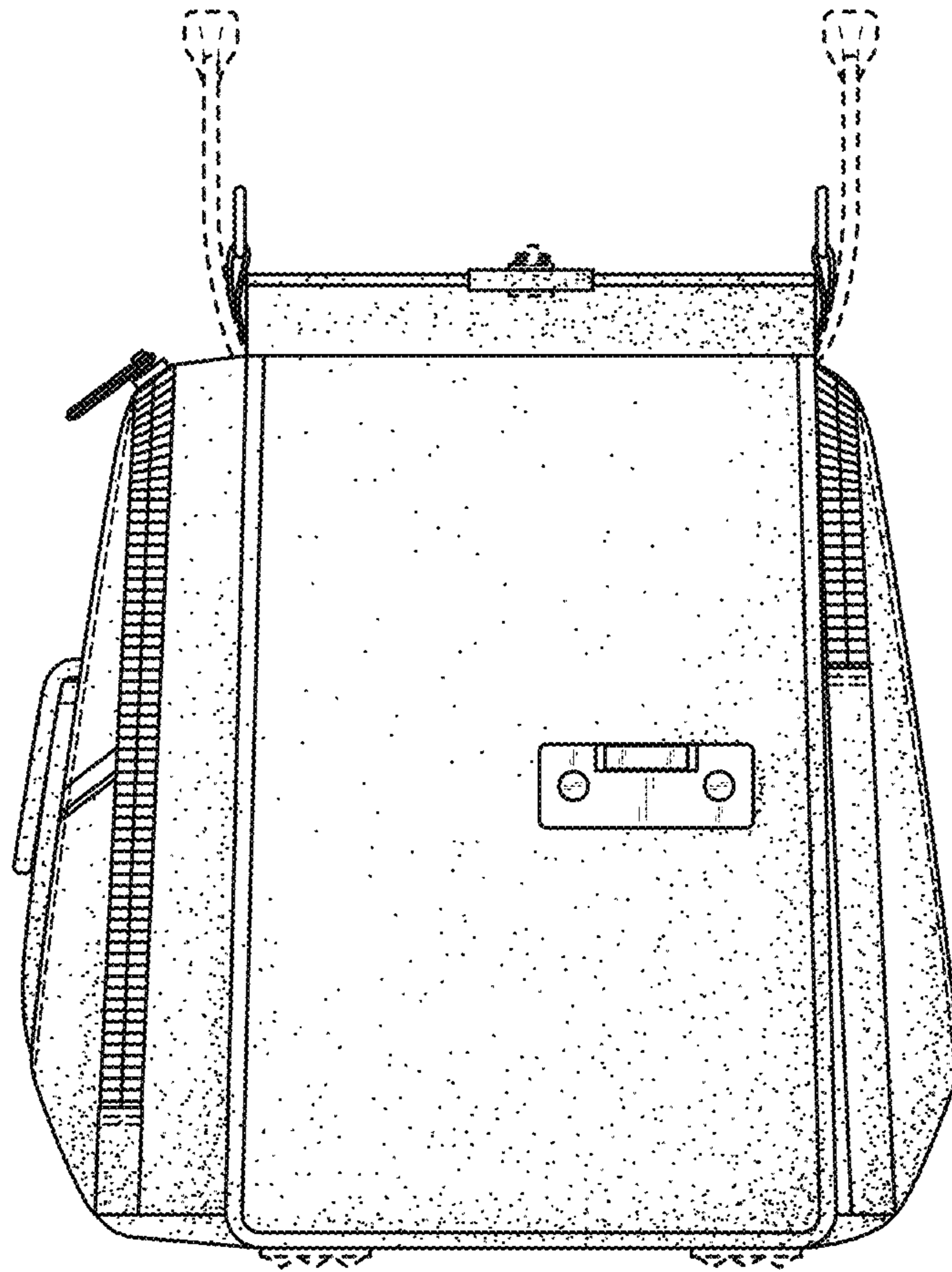


FIG. 5

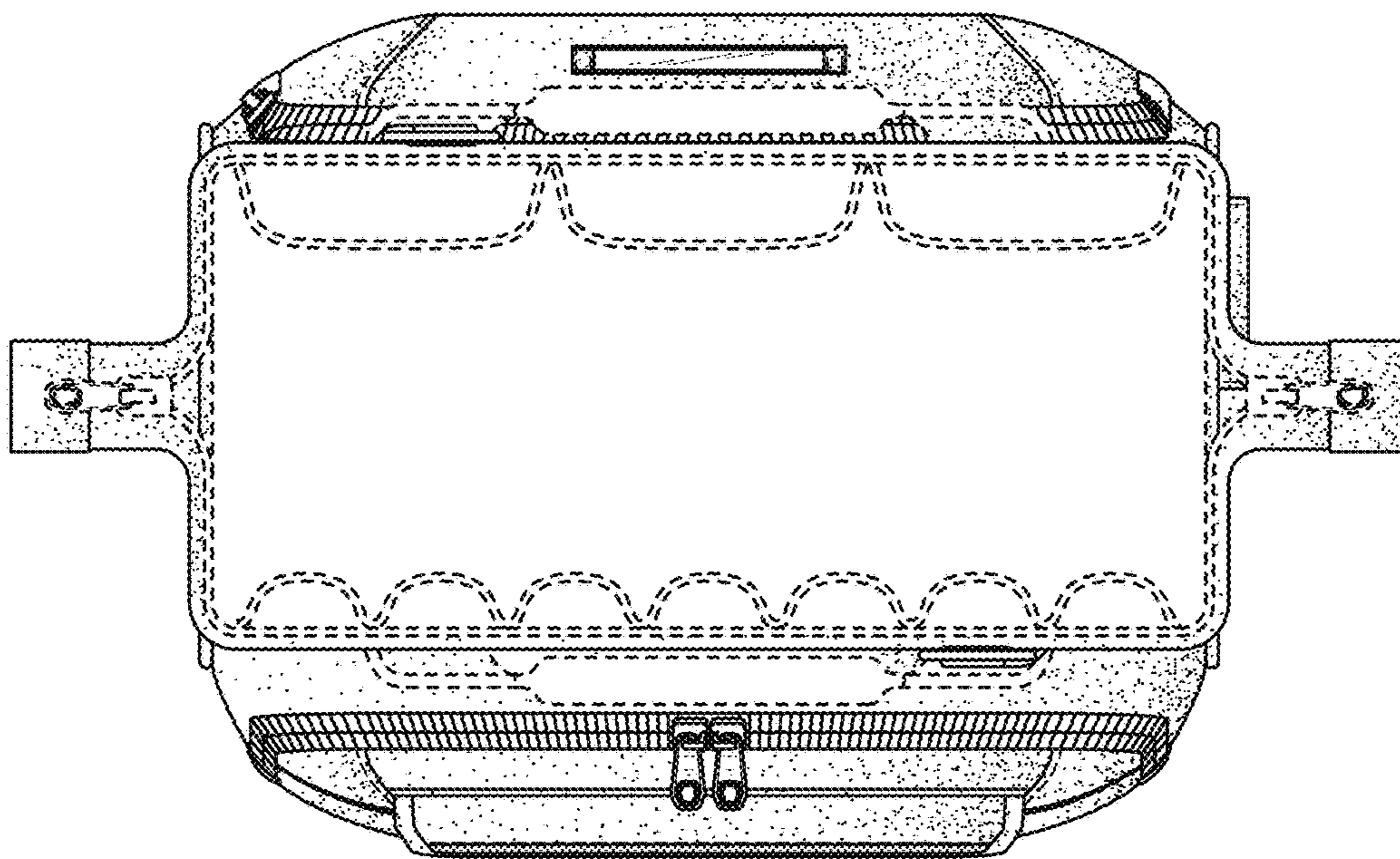


FIG. 6

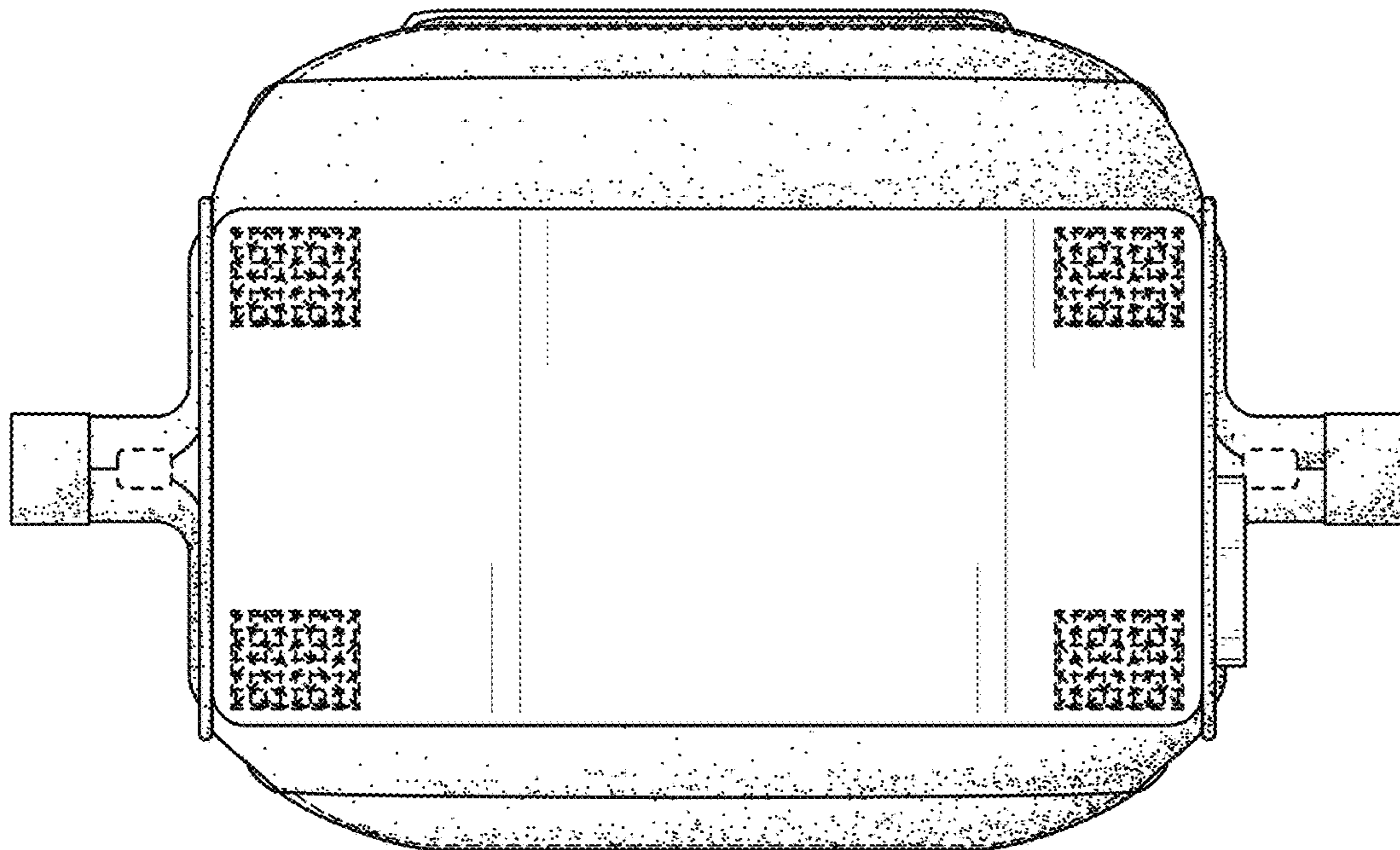


FIG. 7