



US00D825915S

(12) **United States Design Patent**  
**Workman**

(10) **Patent No.:** **US D825,915 S**

(45) **Date of Patent:** **\*\* Aug. 21, 2018**

(54) **ERGONOMIC TWIN BABY CARRIER**

(71) Applicant: **Krystal Workman**, Falls Church, VA  
(US)

(72) Inventor: **Krystal Workman**, Falls Church, VA  
(US)

(\*\*) Term: **15 Years**

(21) Appl. No.: **29/584,398**

(22) Filed: **Nov. 14, 2016**

**Related U.S. Application Data**

(63) Continuation-in-part of application No. 29/518,397, filed on Feb. 23, 2015, now Pat. No. Des. 774,297, which is a continuation-in-part of application No. 14/243,869, filed on Apr. 2, 2014, now Pat. No. 9,504,337, which is a continuation-in-part of application No. 13/758,963, filed on Feb. 4, 2013, now Pat. No. 9,439,516.

(60) Provisional application No. 61/595,069, filed on Feb. 4, 2012.

(51) **LOC (11) Cl.** ..... **03-01**

(52) **U.S. Cl.**  
USPC ..... **D3/214**

(58) **Field of Classification Search**  
USPC ..... D3/213, 214, 215, 216  
CPC ..... A47D 13/02; A47D 13/025; A47D 13/08;  
A45F 3/12; A45F 5/00  
See application file for complete search history.

(56) **References Cited**

**U.S. PATENT DOCUMENTS**

5,246,152 A \* 9/1993 Dotseth ..... A47D 13/025  
224/158  
5,454,498 A \* 10/1995 Dunn ..... A47D 13/025  
224/160  
D370,996 S \* 6/1996 Shimura ..... D3/213  
5,522,528 A \* 6/1996 Petricola ..... A47D 13/025  
224/160

(Continued)

*Primary Examiner* — John Windmuller

*Assistant Examiner* — Steven Czyz

(74) *Attorney, Agent, or Firm* — Symbus Law Group, LLC; Clifford D. Hyra

(57) **CLAIM**

The ornamental design for an ergonomic twin baby carrier, as shown and described.

**DESCRIPTION**

FIG. 1 is a perspective view of an ergonomic twin baby carrier showing the rear, top and right sides, in a first embodiment.

FIG. 2 is a right side view of the ergonomic twin baby carrier of FIG. 1.

FIG. 3 is a left side view of the ergonomic twin baby carrier of FIG. 1.

FIG. 4 is a rear side view of the ergonomic twin baby carrier of FIG. 1.

FIG. 5 is a front side view of the ergonomic twin baby carrier of FIG. 1.

FIG. 6 is a top view of the ergonomic twin baby carrier of FIG. 1.

FIG. 7 is a bottom view of the ergonomic twin baby carrier of FIG. 1.

FIG. 8 is a perspective view of the ergonomic twin baby carrier of FIG. 1 showing the front, top and right sides, with additional environment and in an alternate state.

FIG. 9 is a right side view of the ergonomic twin baby carrier of FIG. 1 and in a second alternate state.

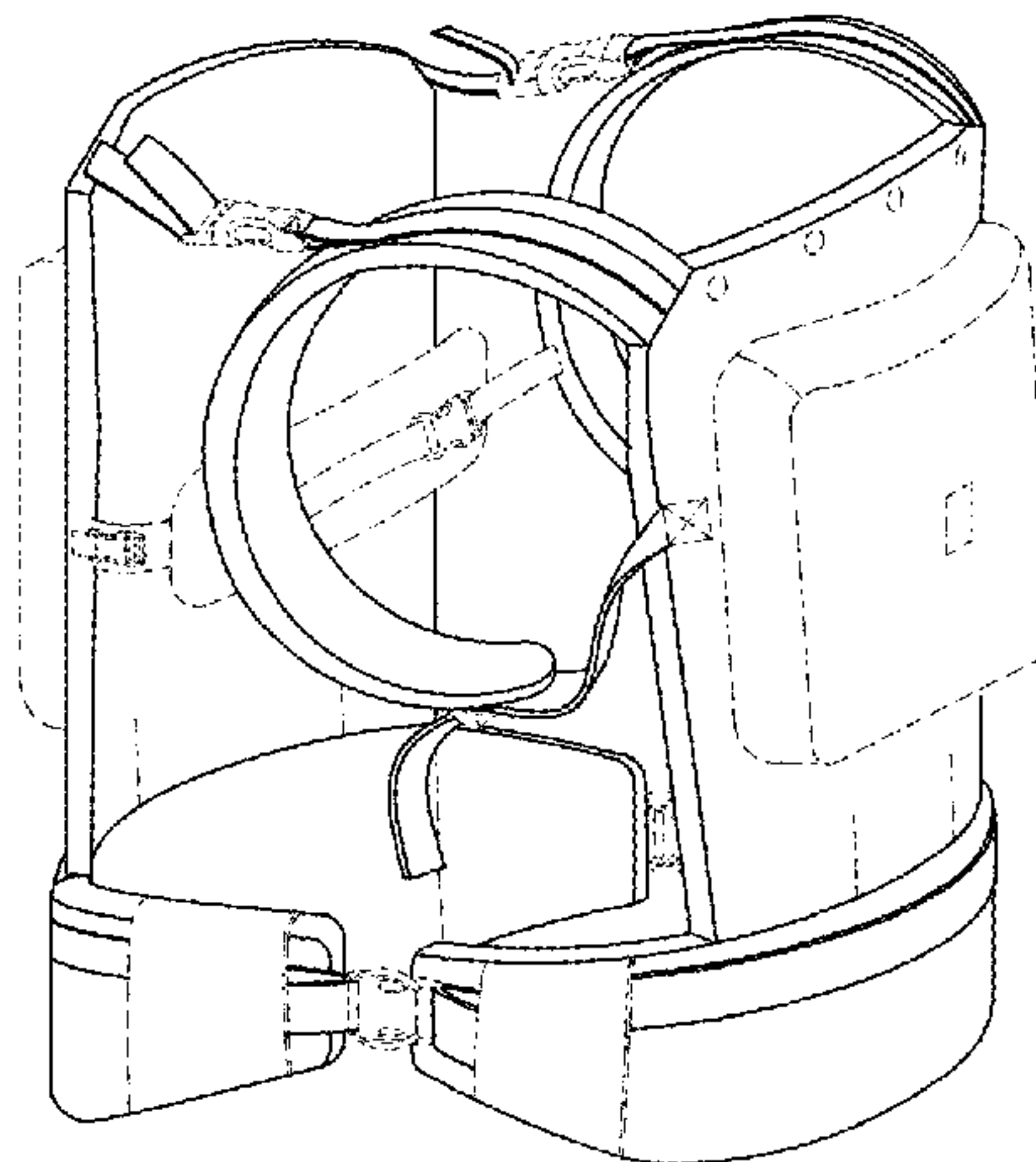
FIG. 10 is a left side view of the ergonomic twin baby carrier of FIG. 1 and in a third alternate state.

FIG. 11 is a right side view of the ergonomic twin baby carrier of FIG. 1 and in a fourth alternate state; and,

FIG. 12 is a right side view of the ergonomic twin baby carrier of FIG. 1 and in a fifth alternate state.

The broken lines depict portions of the article that form no part of the claimed design.

**1 Claim, 7 Drawing Sheets**





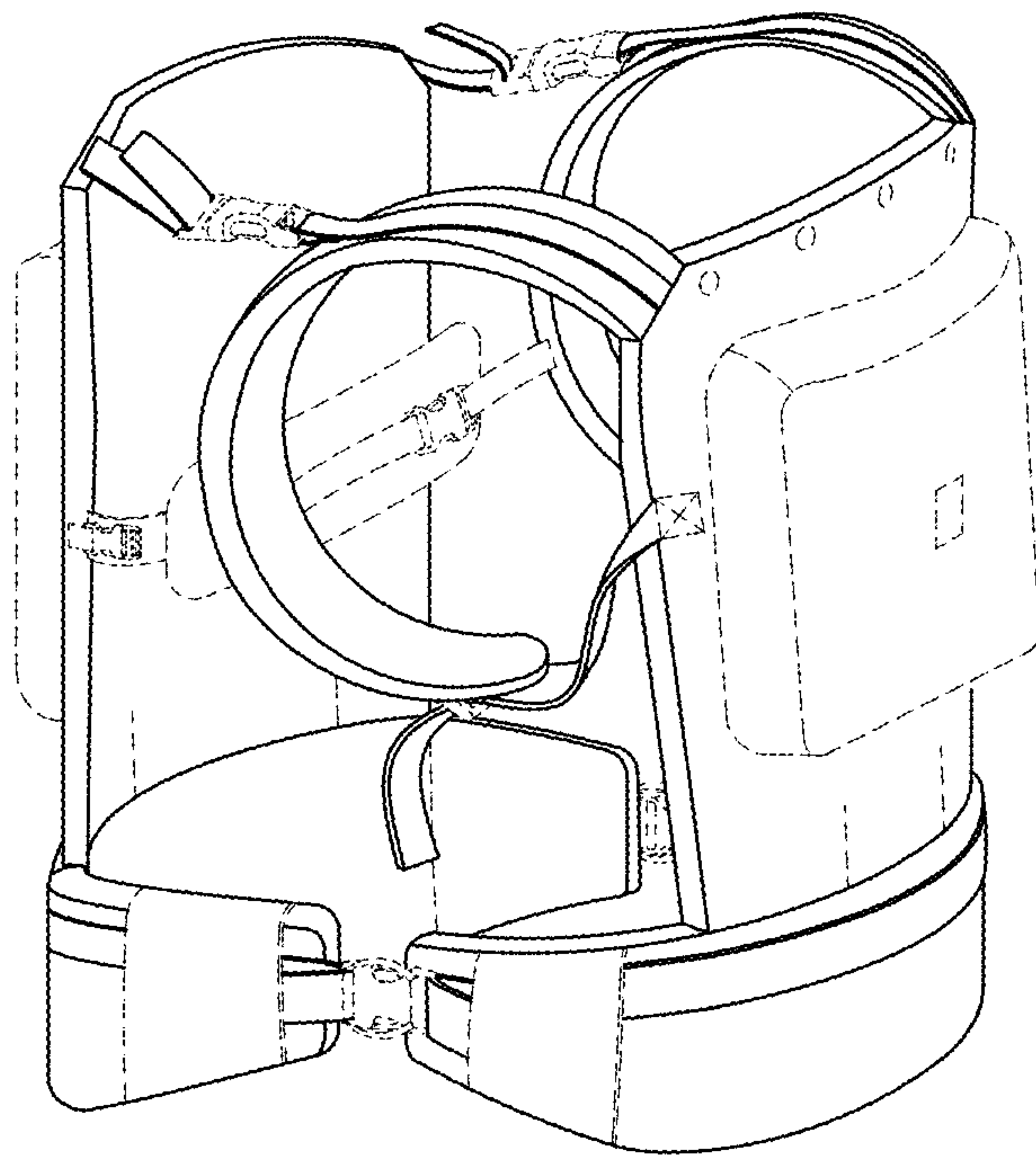


FIG. 1



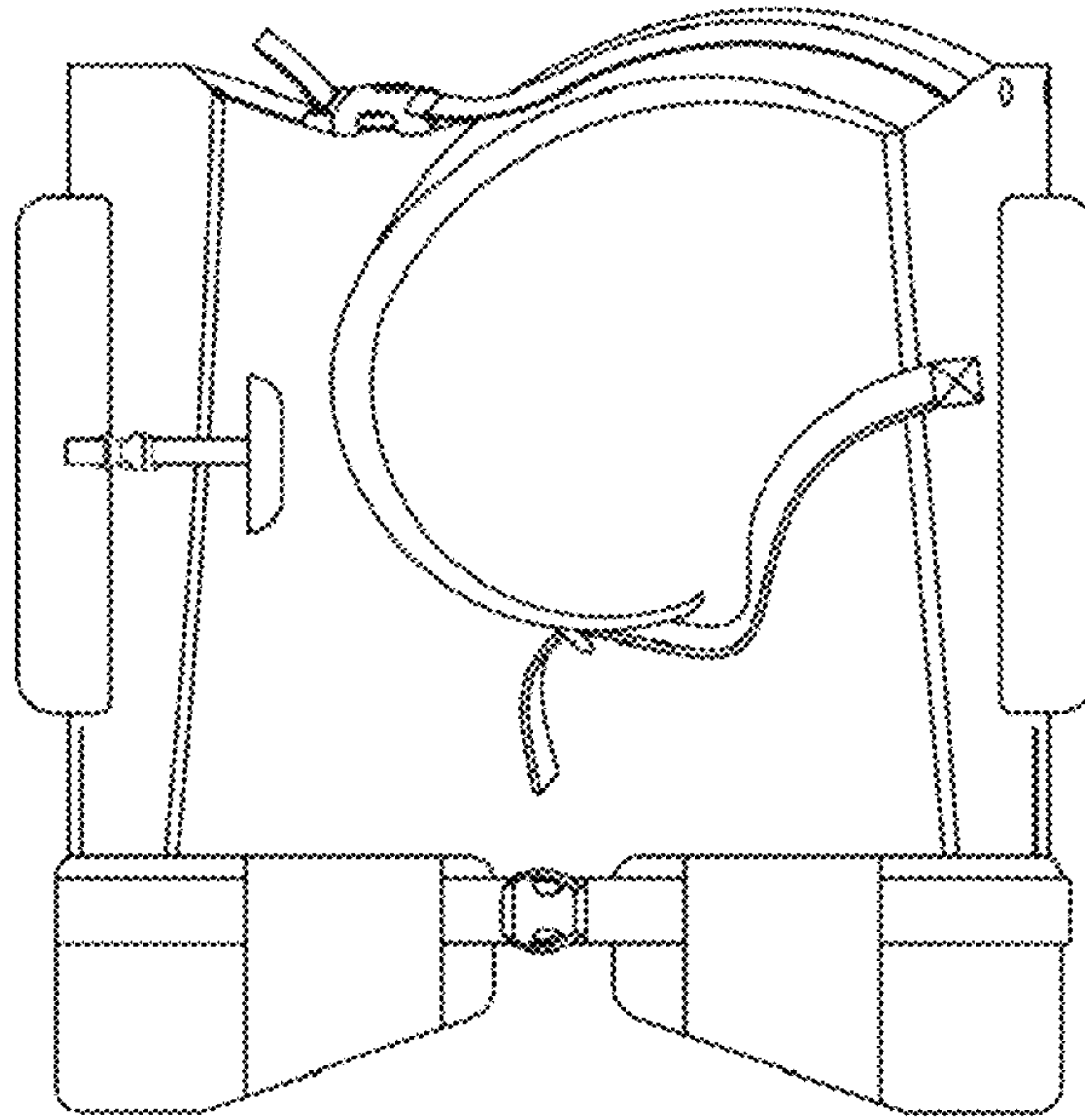


FIG. 2

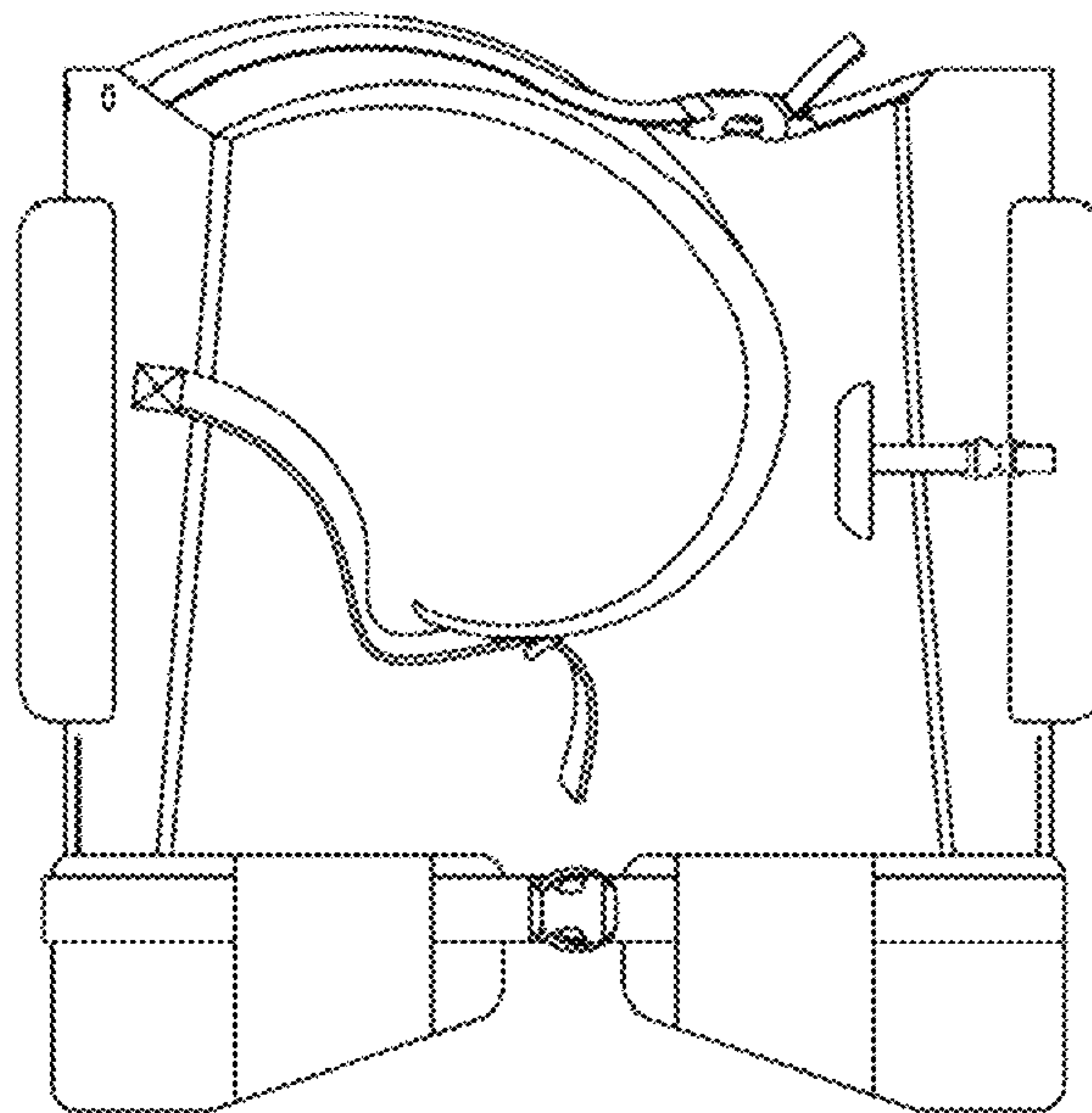


FIG. 3

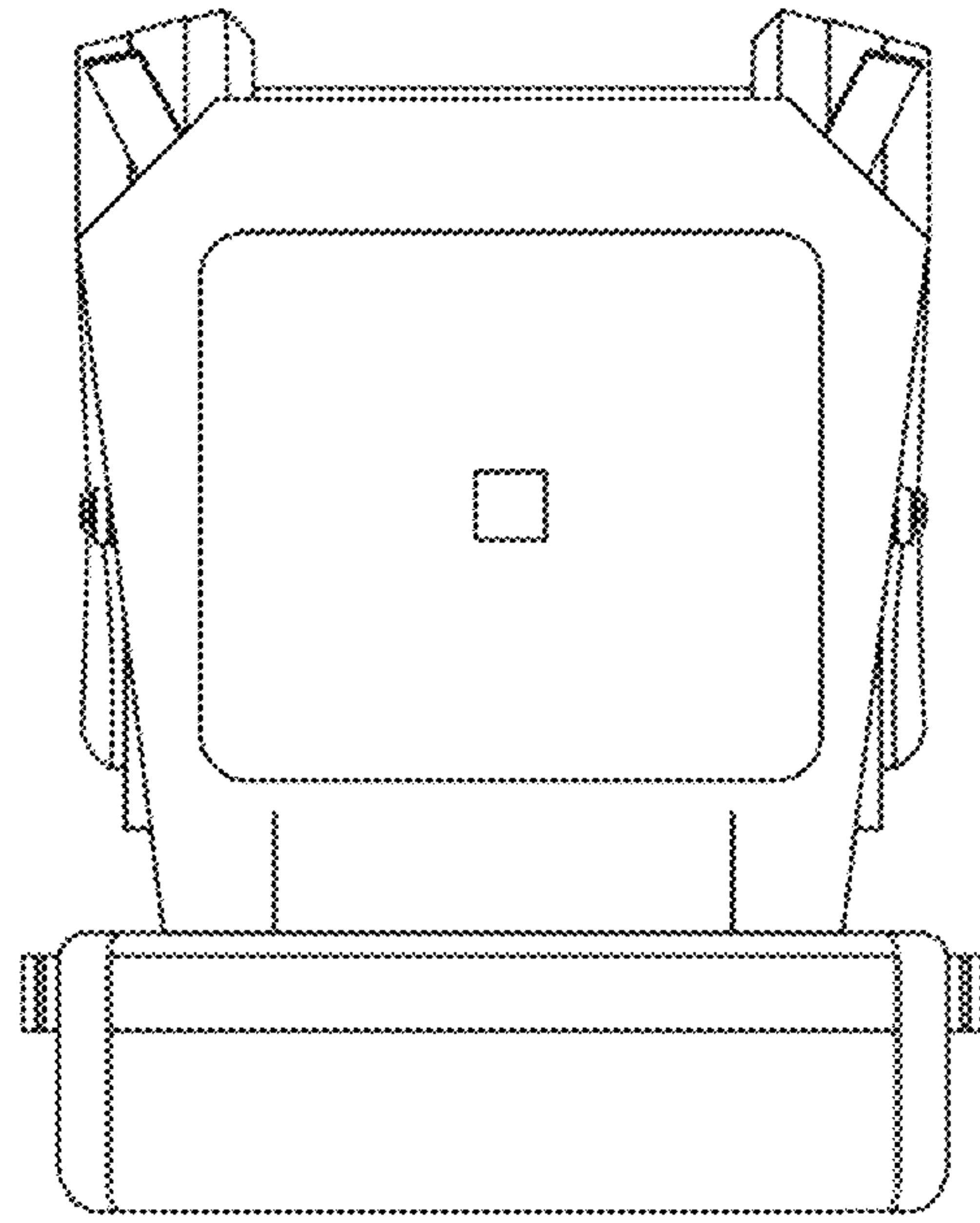


FIG. 4

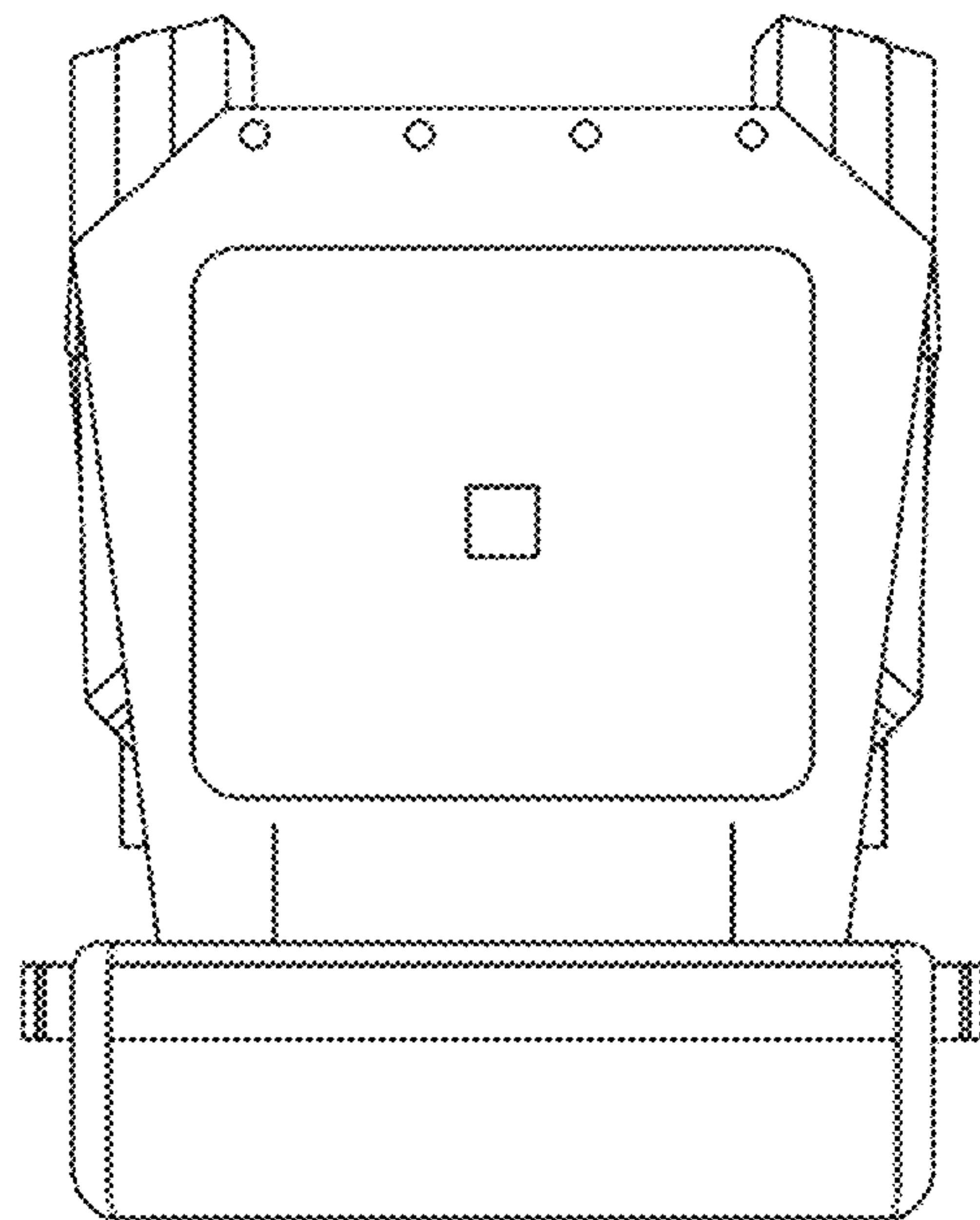


FIG. 5

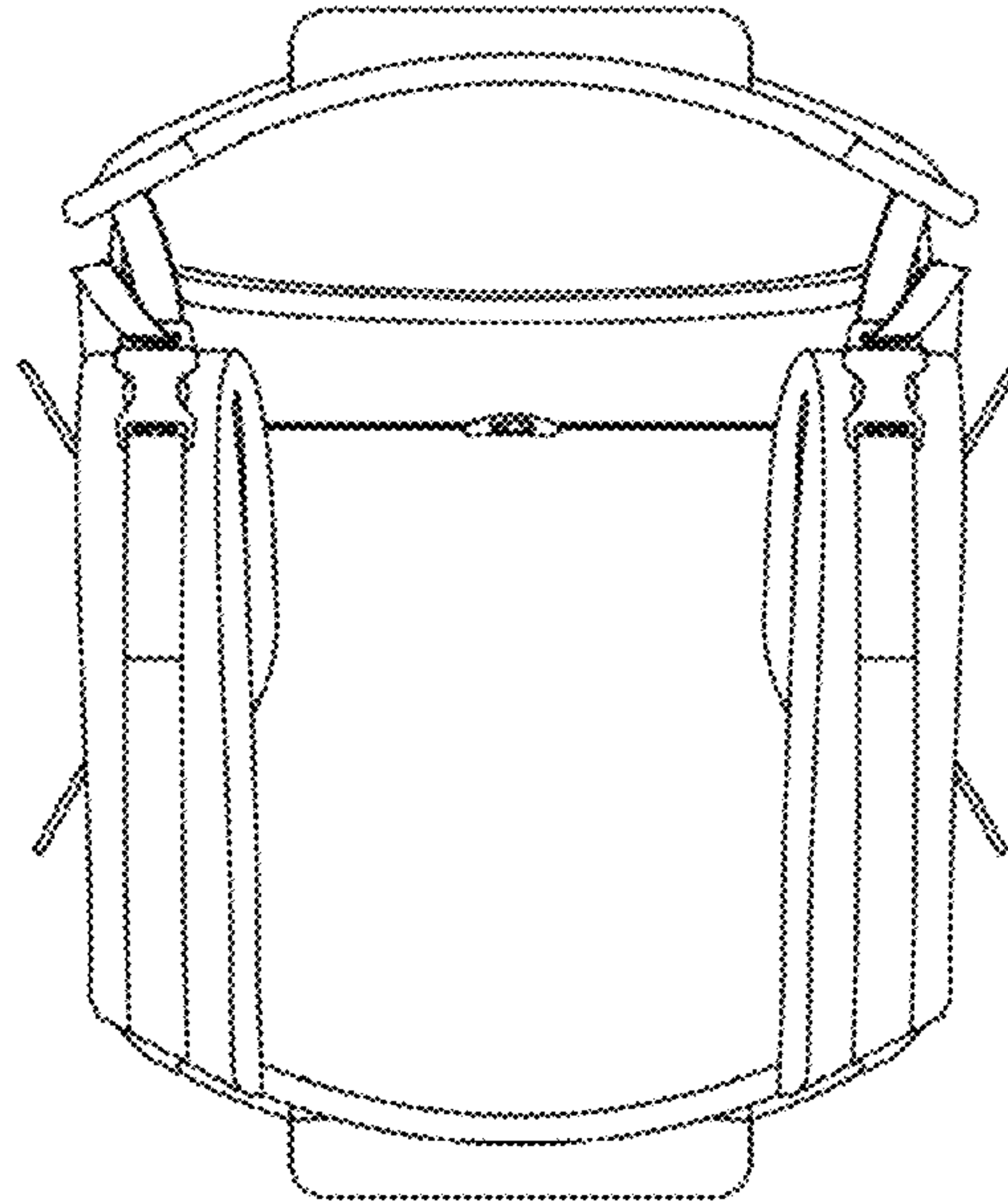


FIG. 6

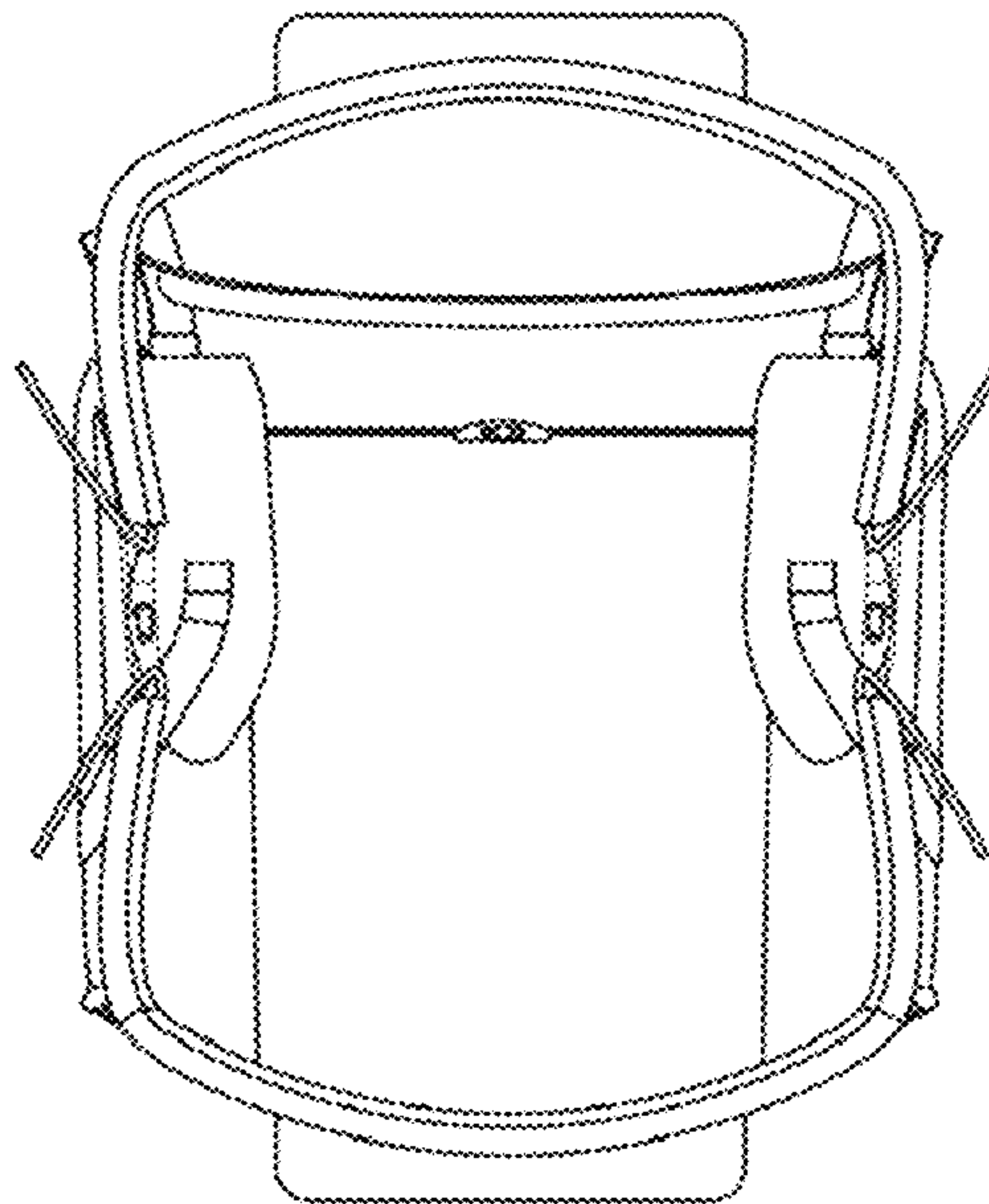


FIG. 7

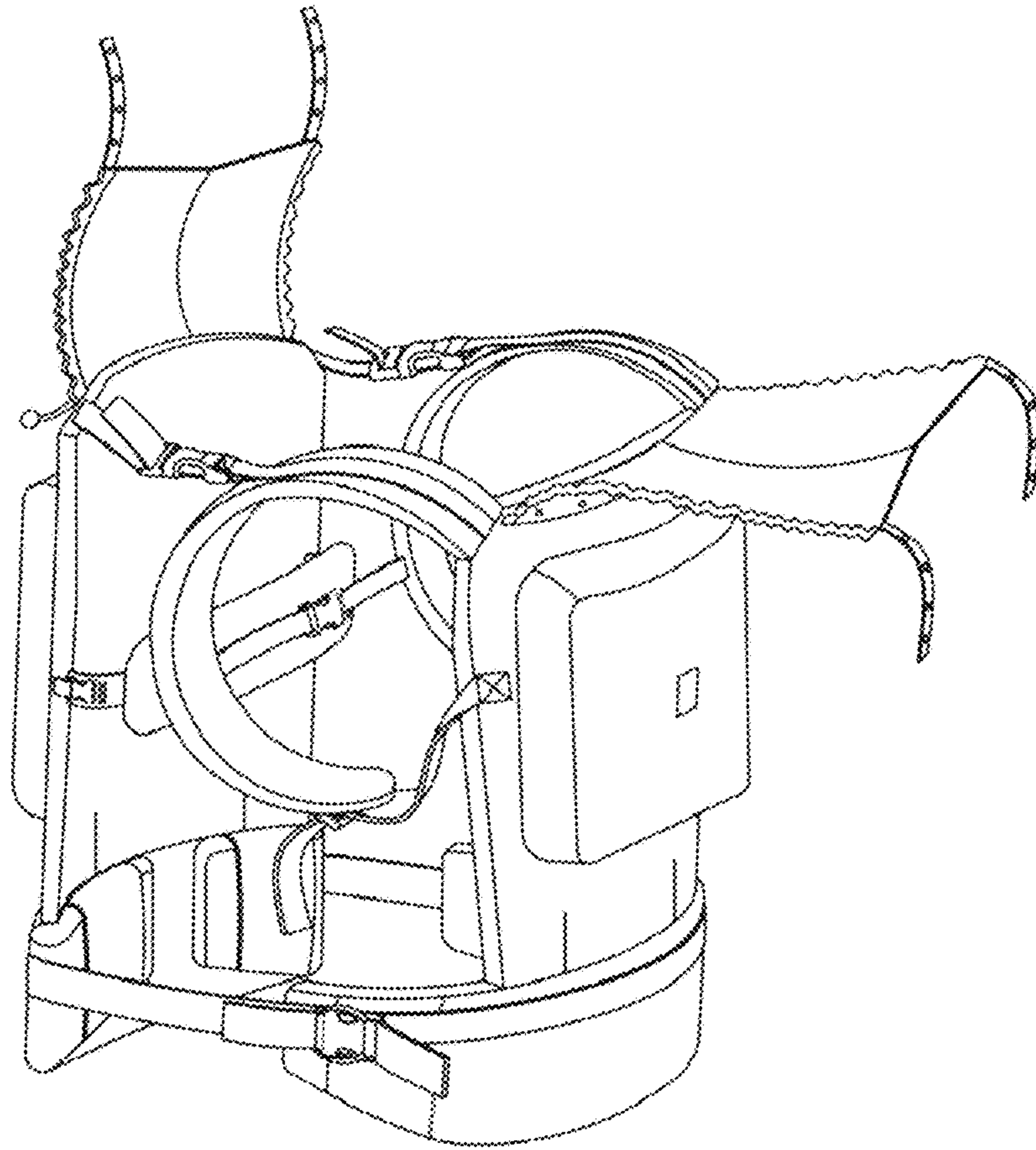


FIG. 8

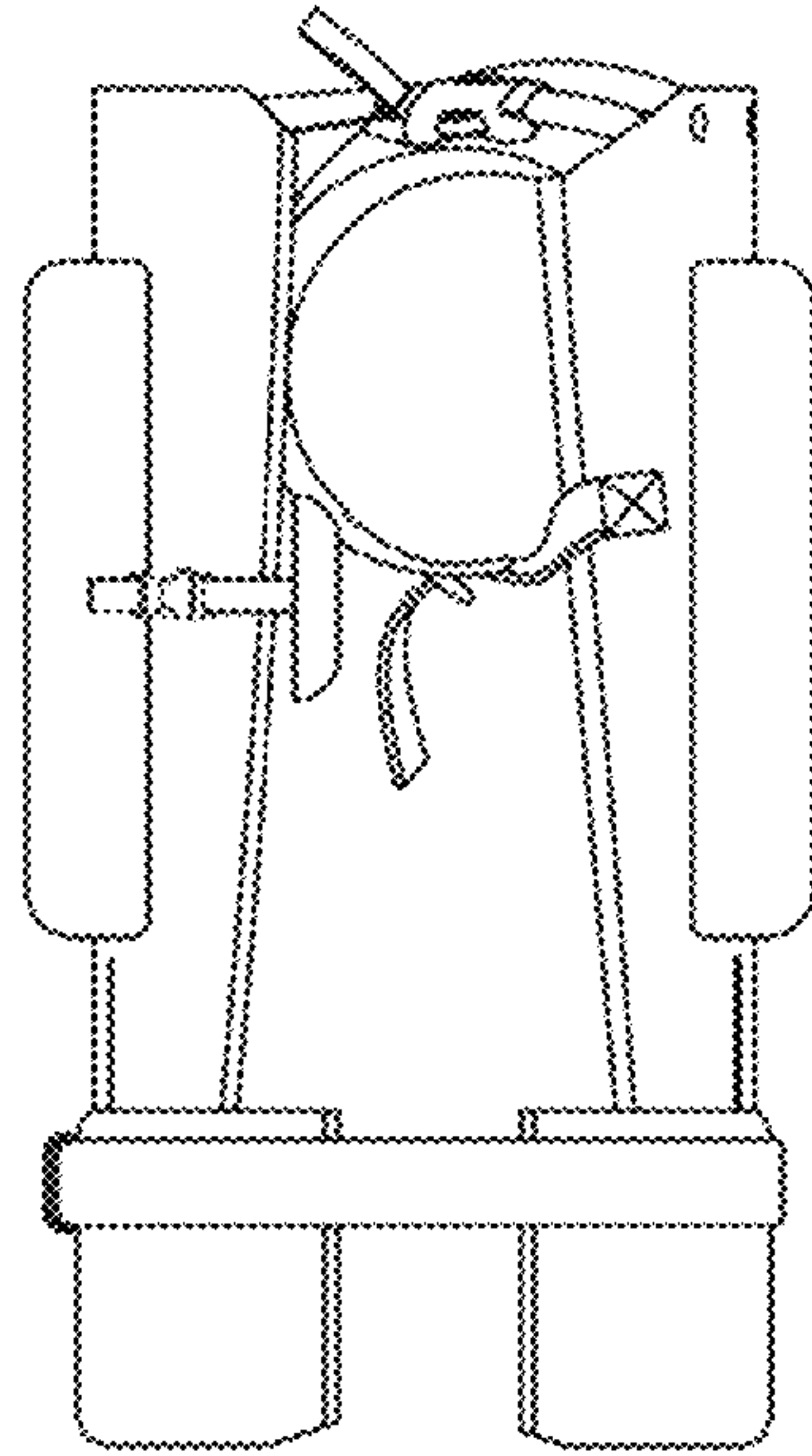


FIG. 9

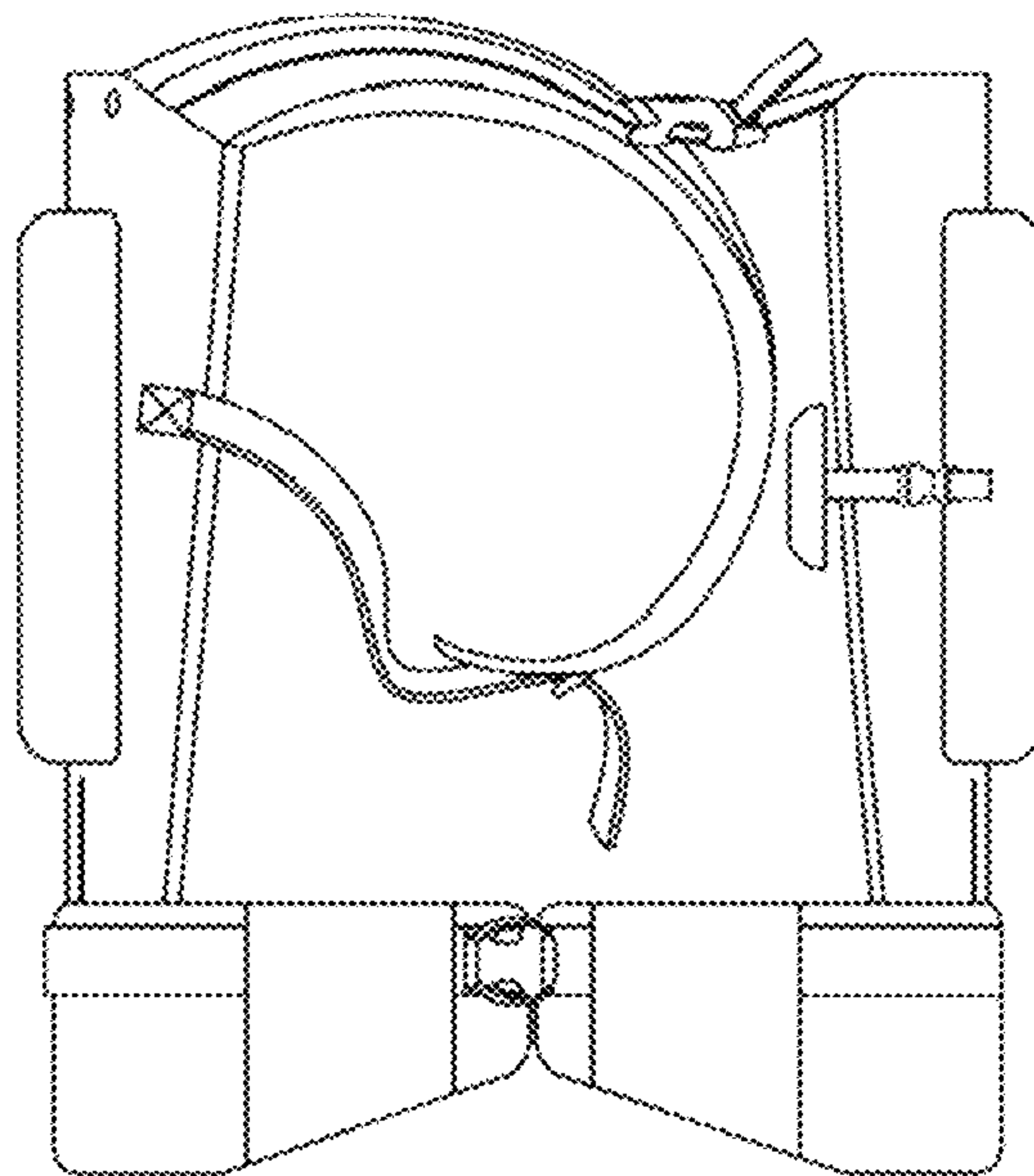


FIG. 10



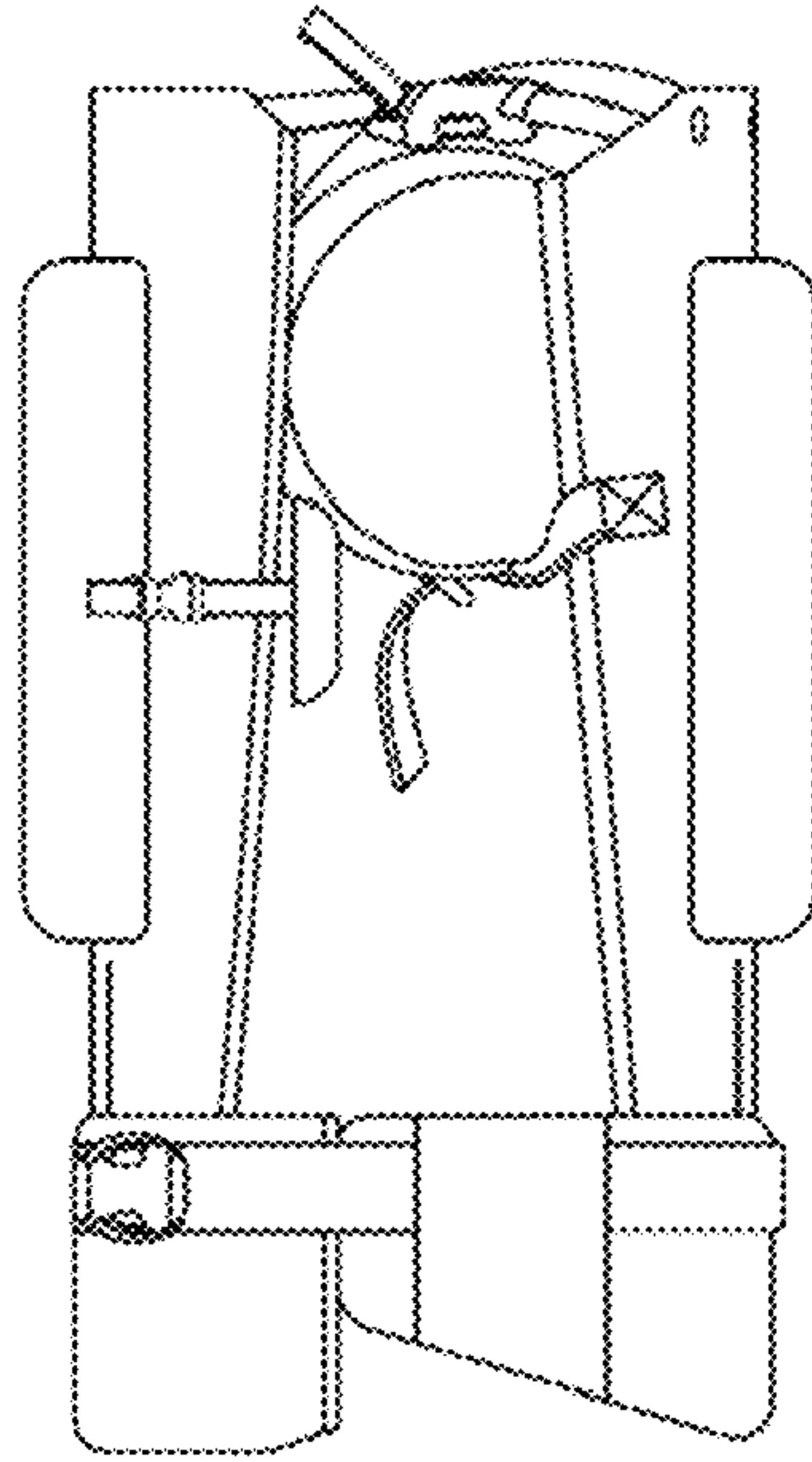


FIG. 11

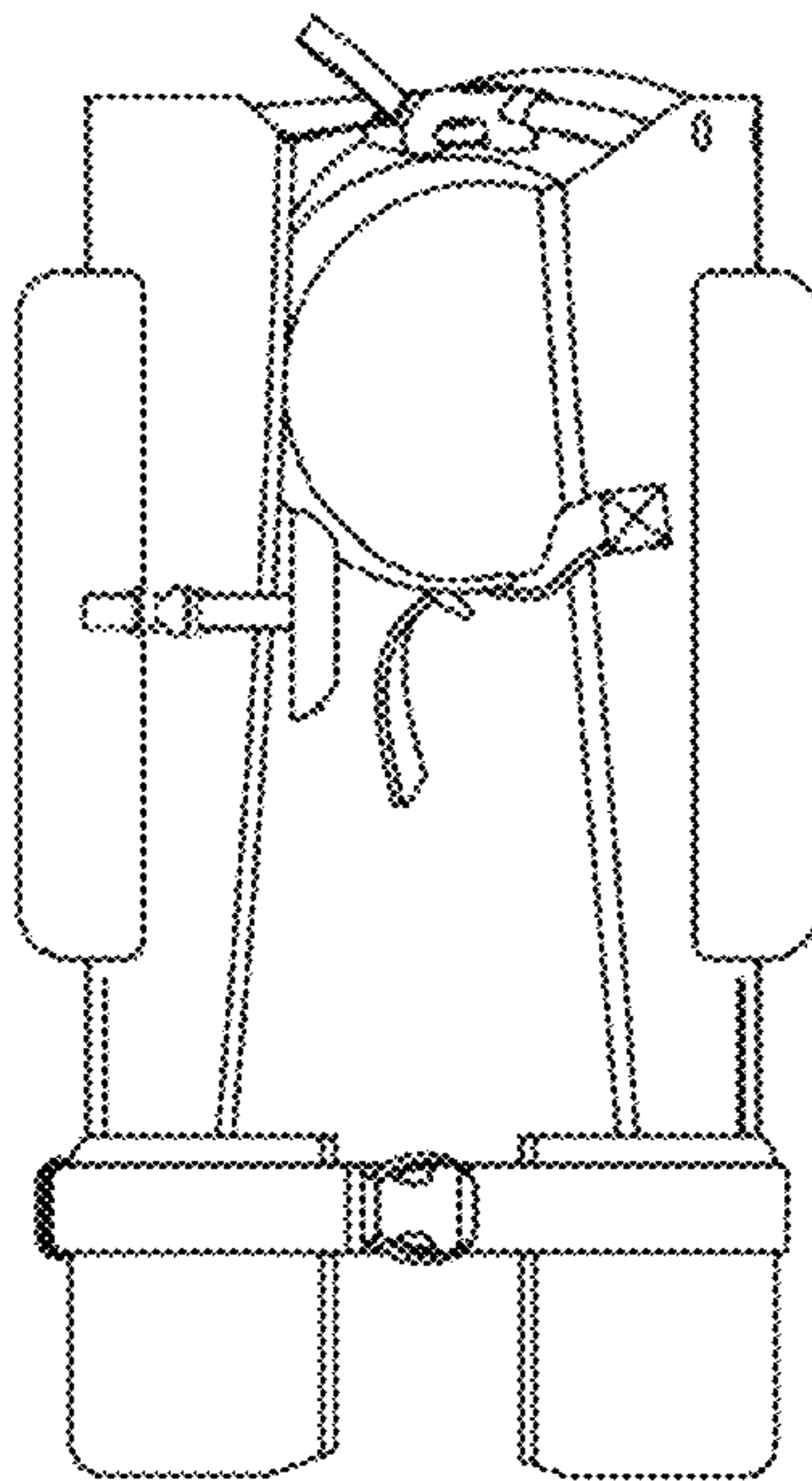


FIG. 12