



US00D825914S

(12) **United States Design Patent** (10) **Patent No.:** **US D825,914 S**  
**Dent** (45) **Date of Patent:** **\*\* \*Aug. 21, 2018**

(54) **WATER BOTTLE**  
(71) Applicant: **CVO Gear, LLC**, Smithfield, UT (US)  
(72) Inventor: **Michael C. Dent**, Smithfield, UT (US)  
(73) Assignee: **CVO Gear, LLC**, South Weber, UT (US)

D521,230 S \* 5/2006 Linz ..... D3/202  
D533,185 S \* 12/2006 Ishida ..... D14/203.2  
D538,030 S \* 3/2007 Karl ..... D3/202  
D598,644 S \* 8/2009 Solari ..... D3/202  
D645,358 S \* 9/2011 de Monclin ..... D9/522  
D702,433 S \* 4/2014 Romley ..... D3/202  
D718,044 S \* 11/2014 Vargo ..... D3/202  
D725,967 S \* 4/2015 Peng ..... D7/511  
D739,651 S \* 9/2015 Hadden ..... D3/202  
D760,444 S \* 6/2016 Kozlowski ..... D29/125  
D787,884 S \* 5/2017 Bartlett ..... D3/202

(\* ) Notice: This patent is subject to a terminal disclaimer.

\* cited by examiner

(\*\*) Term: **15 Years**

*Primary Examiner* — John Windmuller  
*Assistant Examiner* — Benjamin Weeks

(21) Appl. No.: **29/570,031**

(74) *Attorney, Agent, or Firm* — David L. Stott

(22) Filed: **Jul. 2, 2016**

(51) **LOC (11) Cl.** ..... **09-02**

(57) **CLAIM**

(52) **U.S. Cl.**  
USPC ..... **D3/202**

The ornamental design for a water bottle, as shown and described.

(58) **Field of Classification Search**  
USPC ..... D3/202, 203, 213, 214, 215, 201, 226,  
D3/228, 224, 327, 229, 273, 290, 294,  
D3/243, 245, 246, 266, 904, 304, 307,  
D3/308, 309, 315; D7/509, 510, 511;  
D9/455, 706, 707; D34/11  
CPC . B65D 77/24; A45C 11/20; A45F 5/00; A45F  
3/12; G10K 5/00  
See application file for complete search history.

**DESCRIPTION**

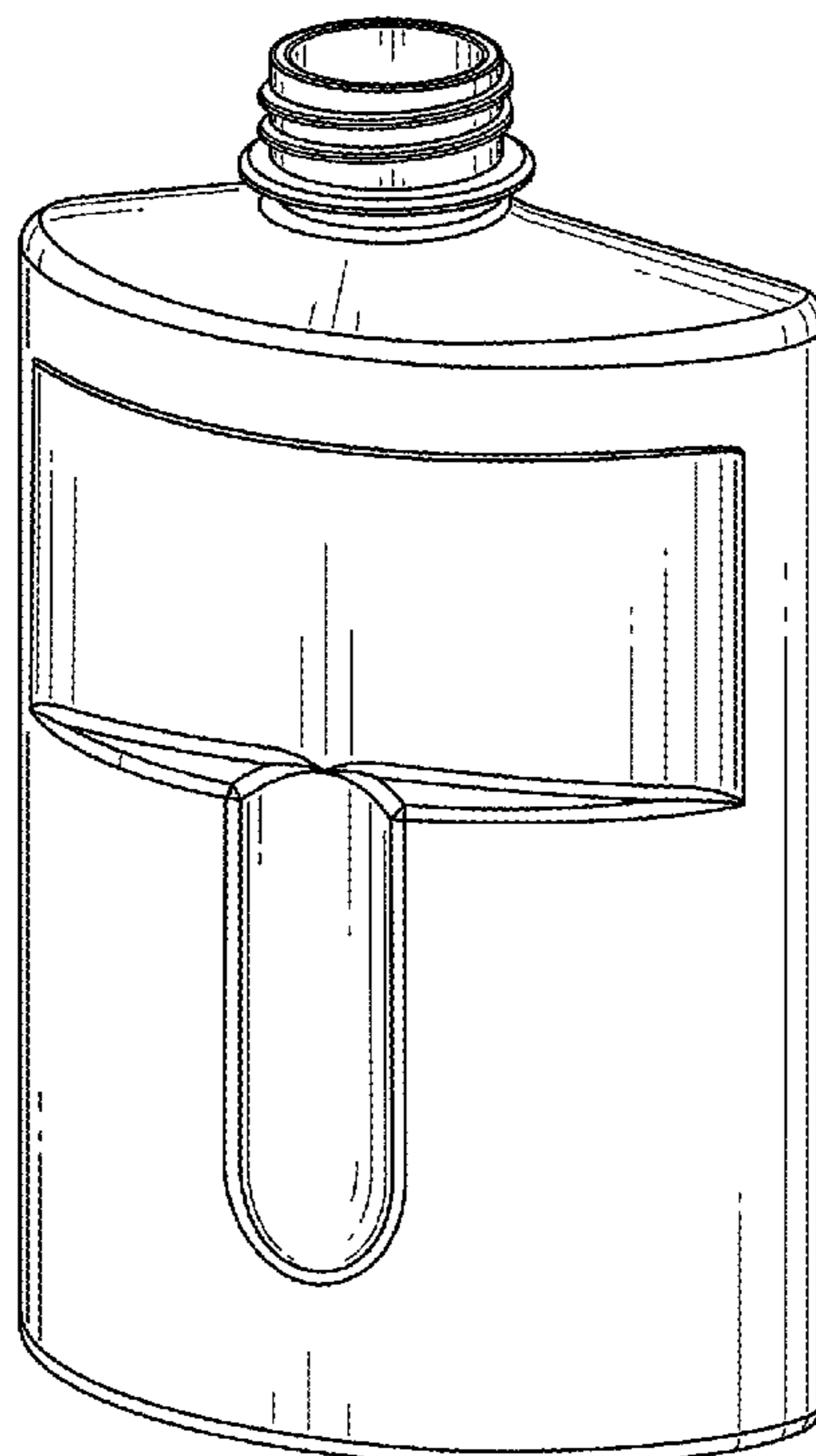
FIG. 1 is an isometric view of a water bottle  
FIG. 2 is another isometric view of the water bottle;  
FIG. 3 is a front view of the water bottle of FIG. 1;  
FIG. 4 is a rear view of the water bottle of FIG. 1;  
FIG. 5 is a left-side view of the water bottle of FIG. 1;  
FIG. 6 is a right-side view of the water bottle of FIG. 1;  
FIG. 7 is a top view of the water bottle of FIG. 1; and,  
FIG. 8 is a bottom view of the water bottle of FIG. 1.  
The broken lines represent portions of the water bottle that form no part of the claimed design.

(56) **References Cited**

**U.S. PATENT DOCUMENTS**

D356,469 S \* 3/1995 Musilli ..... D3/202  
D413,432 S \* 9/1999 Much ..... D3/202

**1 Claim, 4 Drawing Sheets**



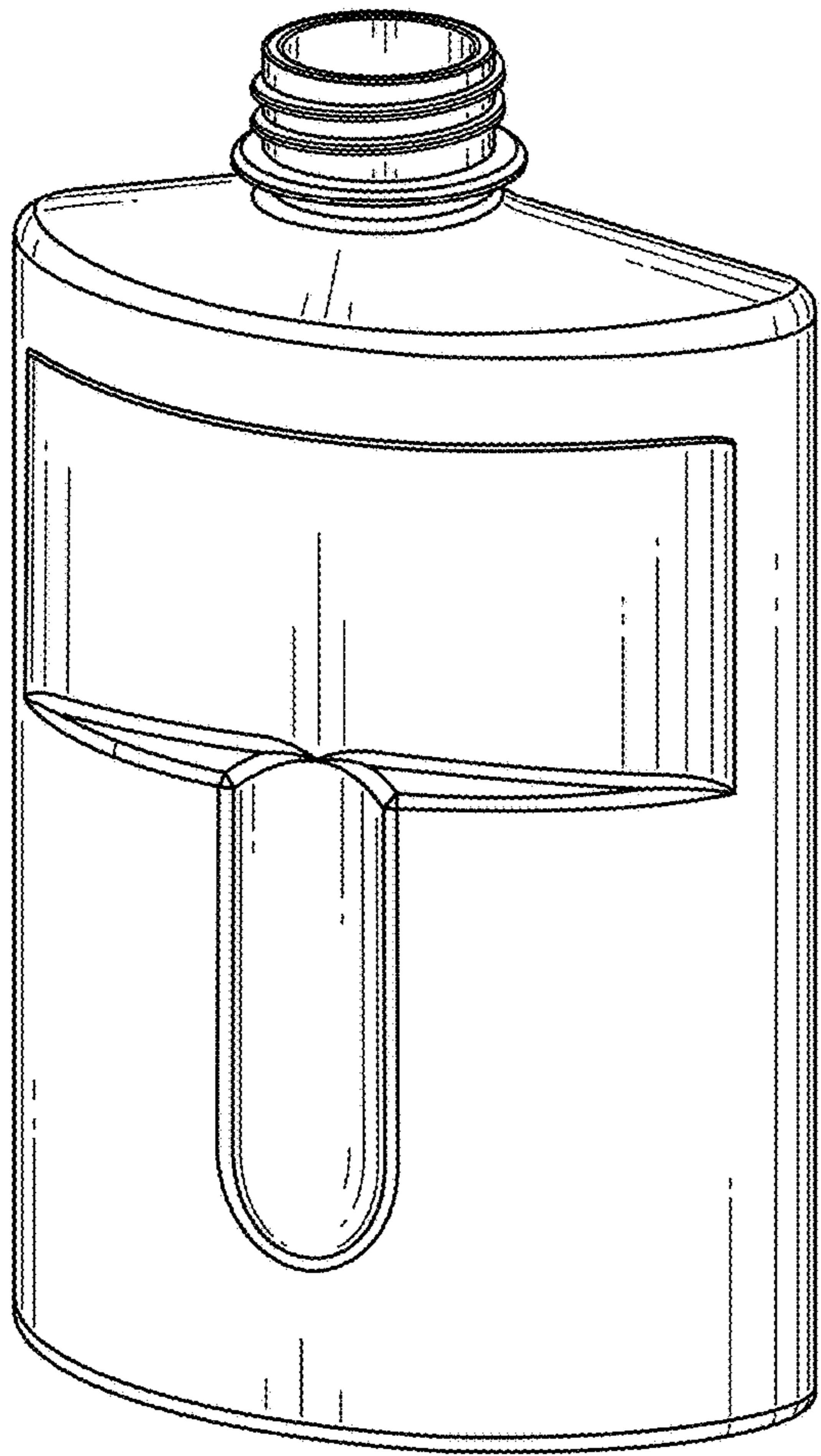


FIG. 1

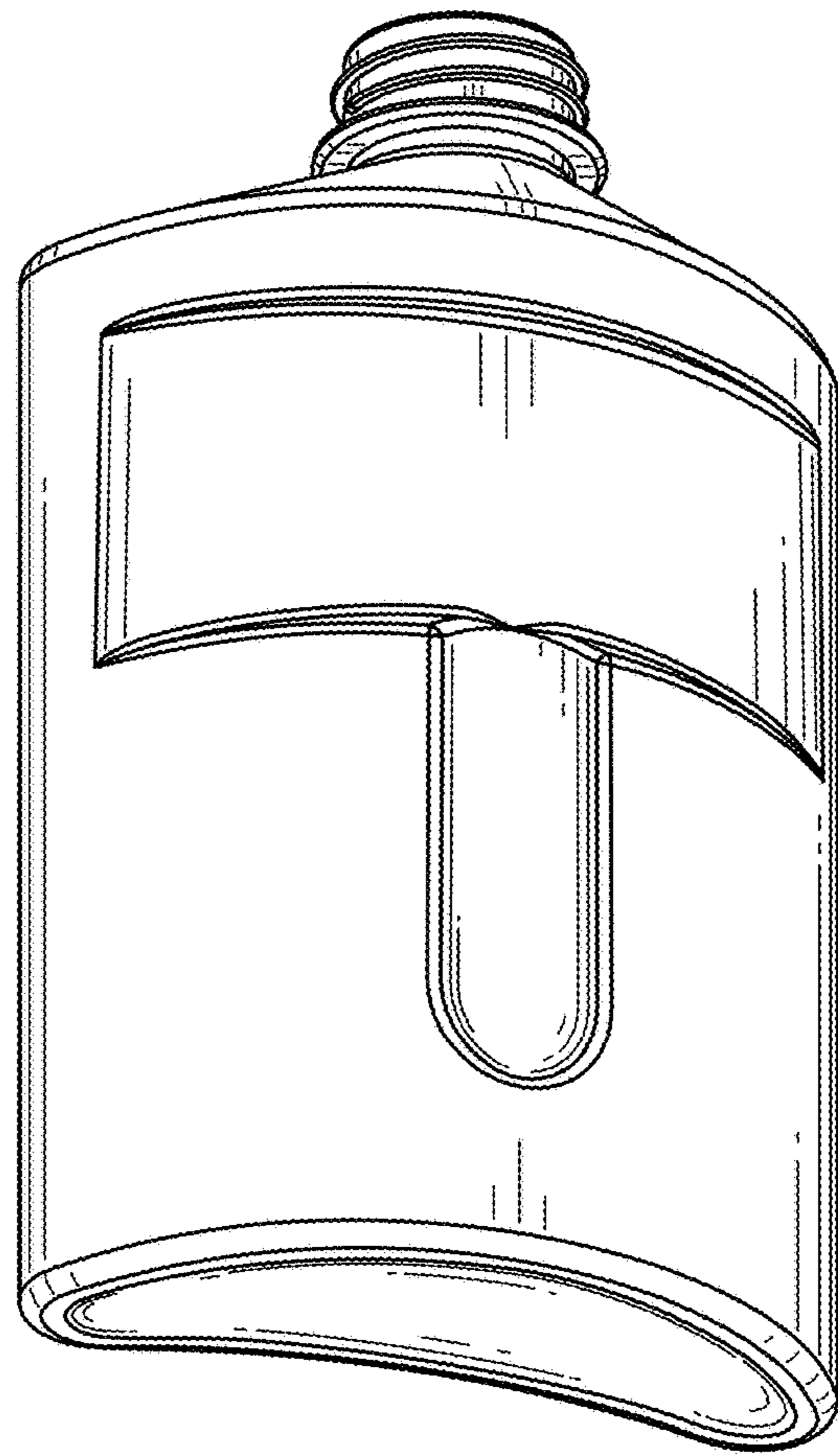


FIG. 2

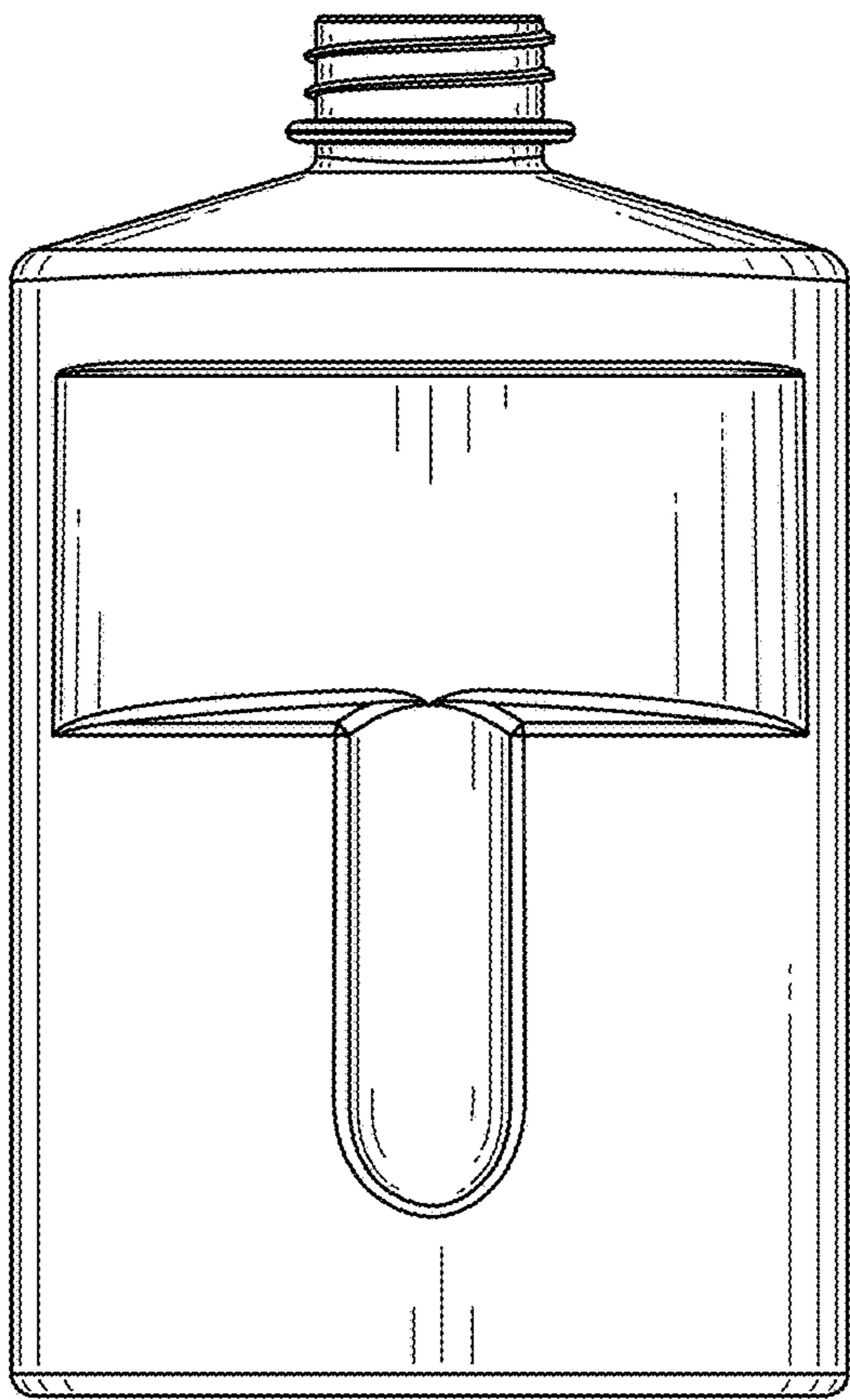


FIG. 3

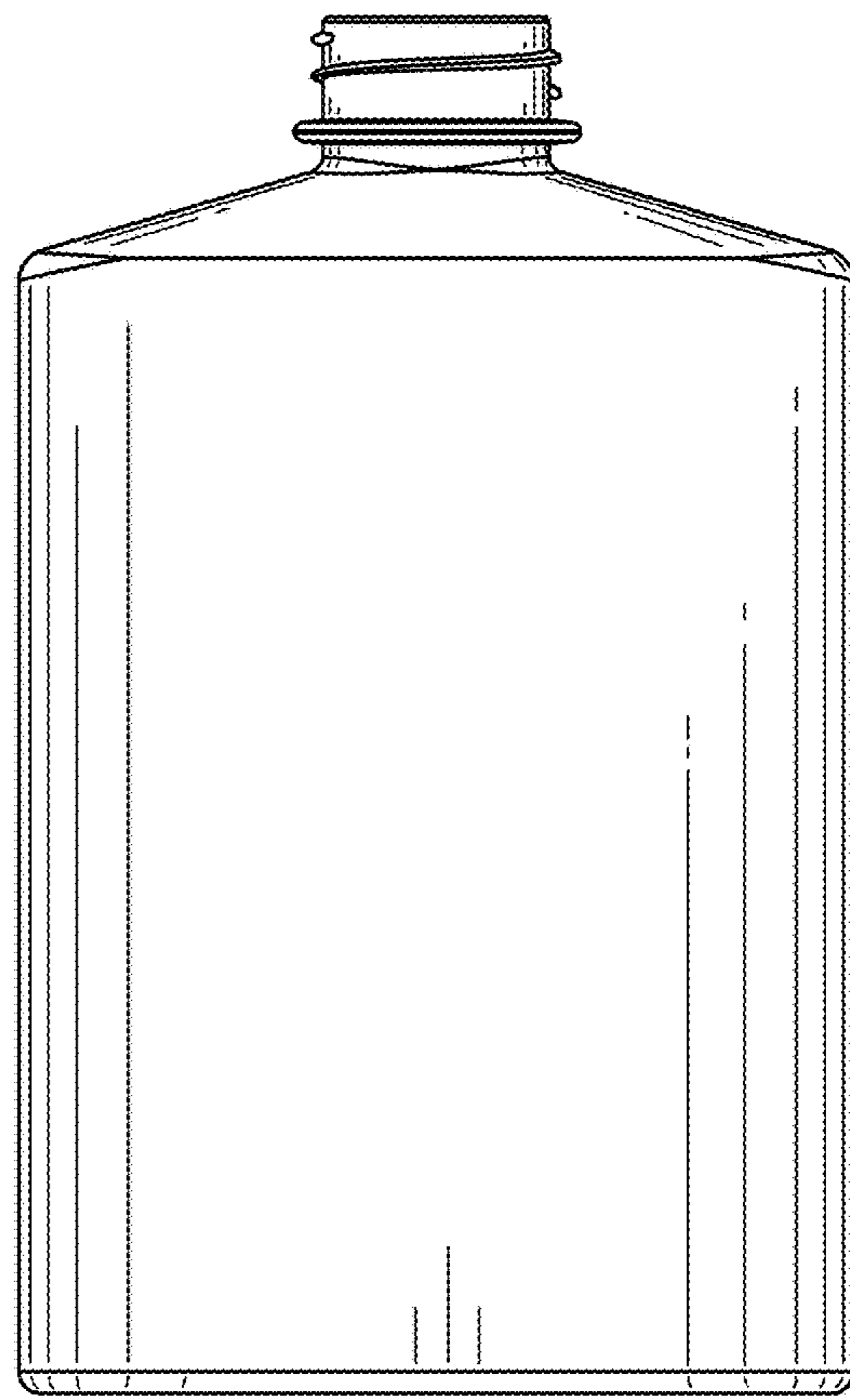


FIG. 4

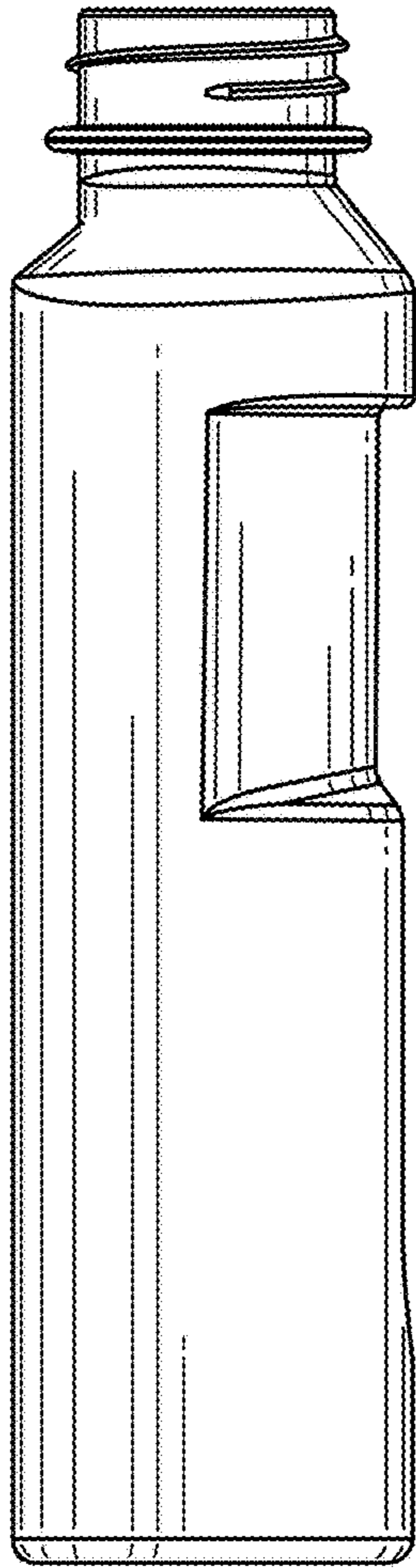


FIG. 5

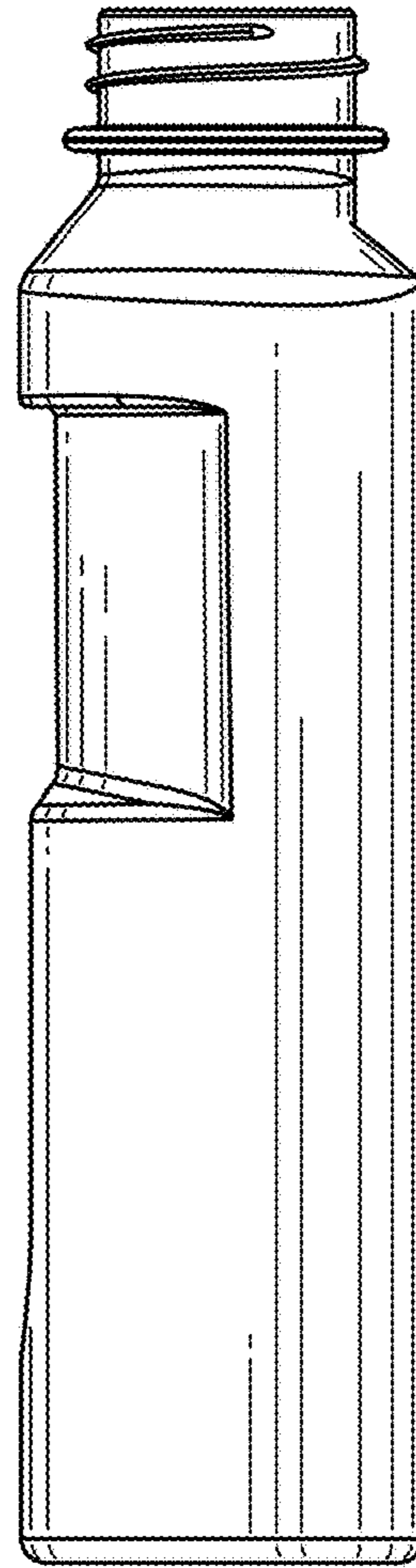


FIG. 6

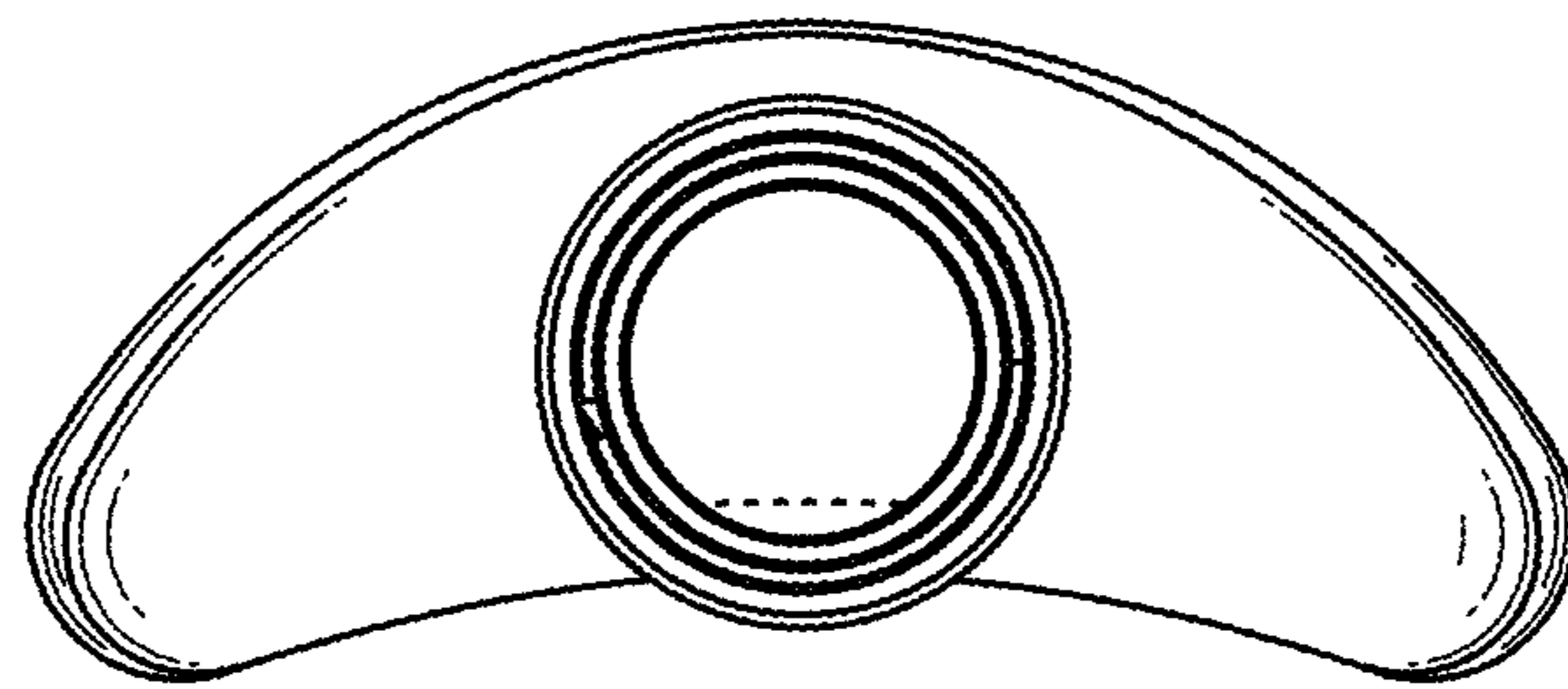


FIG. 7

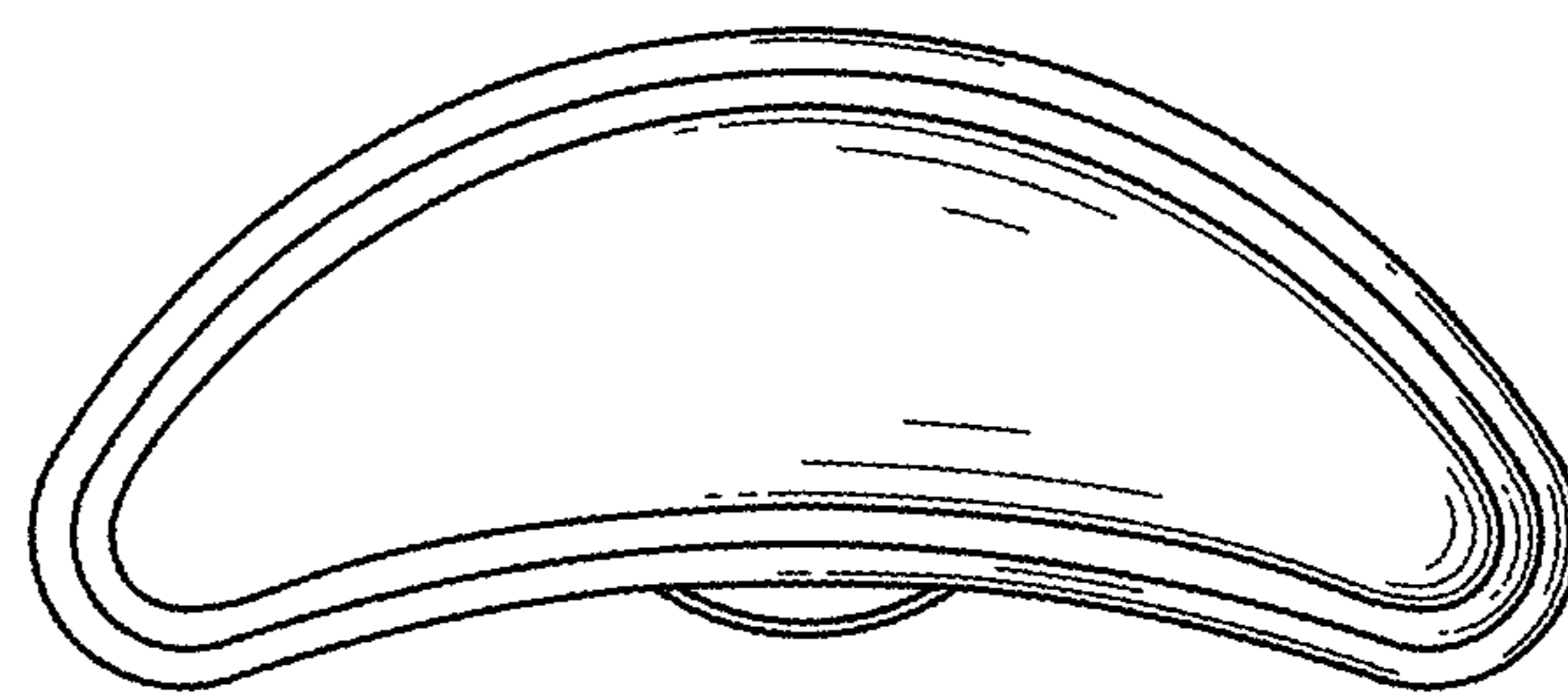


FIG. 8