



US00D825913S

(12) **United States Design Patent** (10) **Patent No.:** **US D825,913 S**
Barlier (45) **Date of Patent:** **** Aug. 21, 2018**

- (54) **BAG**
- (71) Applicant: **KeepCool USA LLC**, Lafayette, CA (US)
- (72) Inventor: **Pierre Barlier**, Lafayette, CA (US)
- (73) Assignee: **KEEPCOOL USA LLC**, Lafayette, CA (US)
- (**) Term: **15 Years**
- (21) Appl. No.: **29/577,308**
- (22) Filed: **Sep. 12, 2016**
- (51) **LOC (11) Cl.** **03-01**
- (52) **U.S. Cl.**
USPC **D3/201; D3/232**
- (58) **Field of Classification Search**
USPC D3/201, 205, 232, 242, 273, 274, 275, D3/276, 279, 281, 282, 283, 284, 289, D3/292, 294, 295, 296, 297, 299, 301, D3/302, 901, 903, 905; D9/414
CPC A45C 5/04; A45C 11/00; A45C 11/16
See application file for complete search history.

- D712,651 S * 9/2014 Proteau D3/232
- D712,653 S * 9/2014 Van Migem D3/232
- D796,341 S * 9/2017 Barlier D9/703

* cited by examiner

Primary Examiner — Sandra S Snapp
Assistant Examiner — Holly E Thurman
(74) *Attorney, Agent, or Firm* — Buchalter

(57) **CLAIM**

The ornamental design for a bag, as shown and described.

DESCRIPTION

FIG. 1 is a Top, Left and Front perspective view with lower part of bag unclaimed.
 FIG. 2 is a Front elevation view with lower part of bag unclaimed.
 FIG. 3 is a Rear elevation view with lower part of bag unclaimed.
 FIG. 4 is a Left side elevation view with lower part of bag unclaimed.
 FIG. 5 is a Right side elevation view with lower part of bag unclaimed.
 FIG. 6 is a Top plan view with lower part of bag unclaimed.
 FIG. 7 is a Bottom plan view with lower part of bag unclaimed.
 FIG. 8 is a Top, Left and Front perspective view with the top of the bag open and with the lower part of bag unclaimed; and,
 FIG. 9 is a Top, Right and Front perspective view with the top of the bag open and with the lower part of bag unclaimed.
 The dash-dash broken lines depict unclaimed portions of the bag and stitching. The dot-dash broken lines disclose boundaries of the claimed design. All broken lines form no part of the claimed design.

(56) **References Cited**

U.S. PATENT DOCUMENTS

- D328,522 S * 8/1992 Buck D3/303
- D489,178 S * 5/2004 McMahan D3/235
- D572,472 S * 7/2008 Saconay-Duhart D3/246
- D583,554 S * 12/2008 Stulman D3/232
- D588,357 S * 3/2009 Fabricius D3/232
- D596,396 S * 7/2009 McCoy D3/232
- D620,249 S * 7/2010 Yu D3/232
- D630,013 S * 1/2011 Yu D3/232
- D641,549 S * 7/2011 Caldwell D3/232
- D648,935 S * 11/2011 Wickrama D3/233

1 Claim, 7 Drawing Sheets

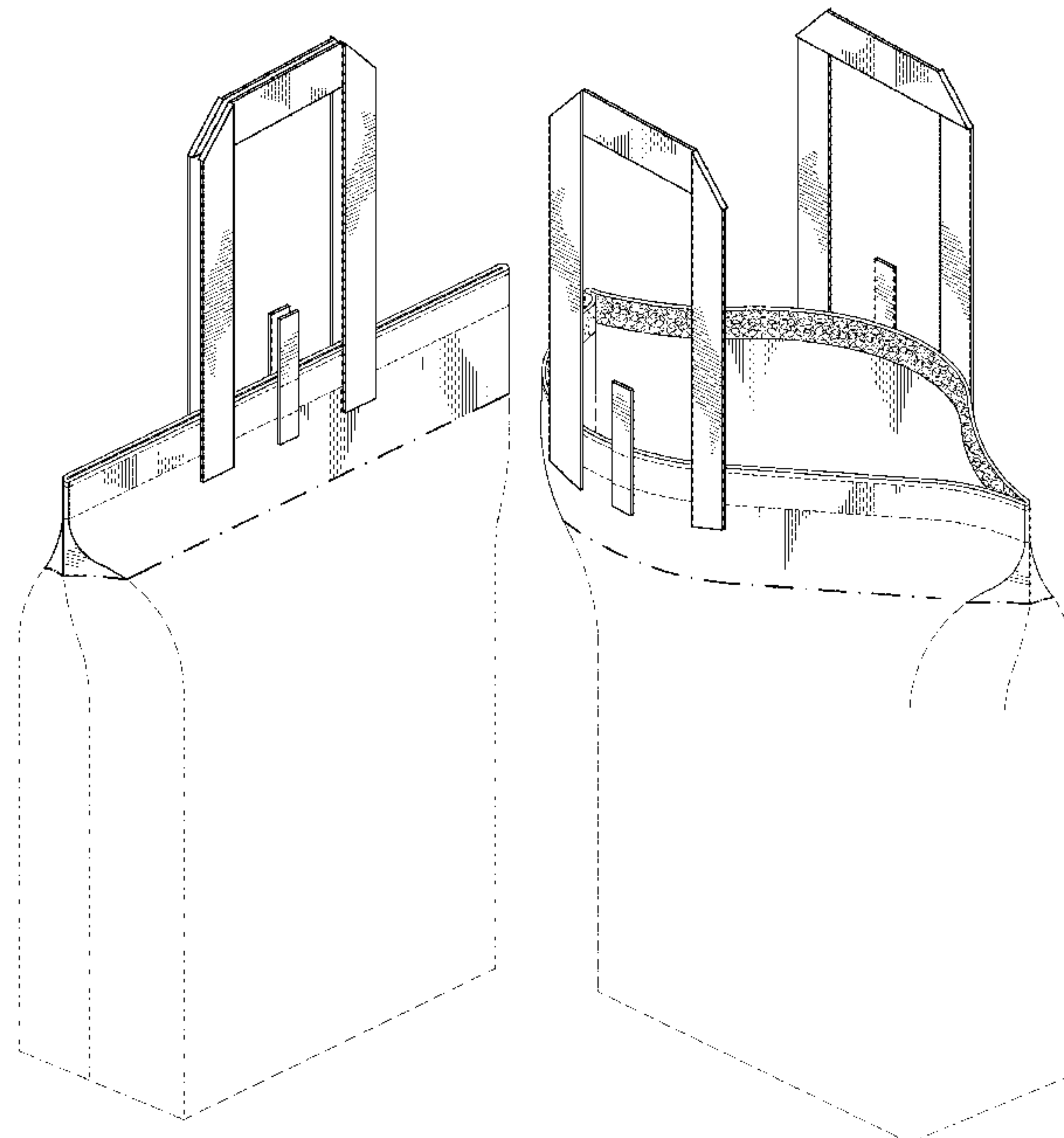


FIG. 1

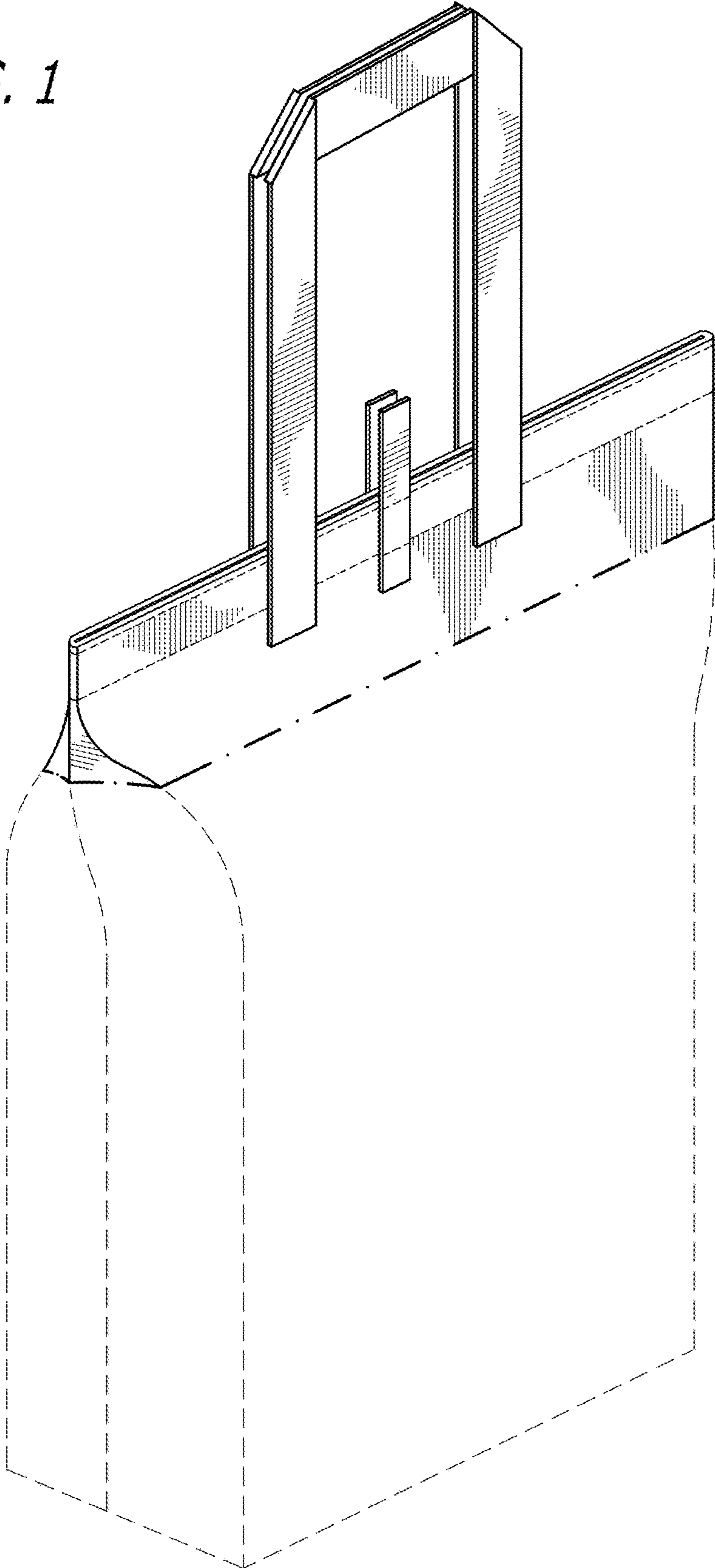


FIG. 2

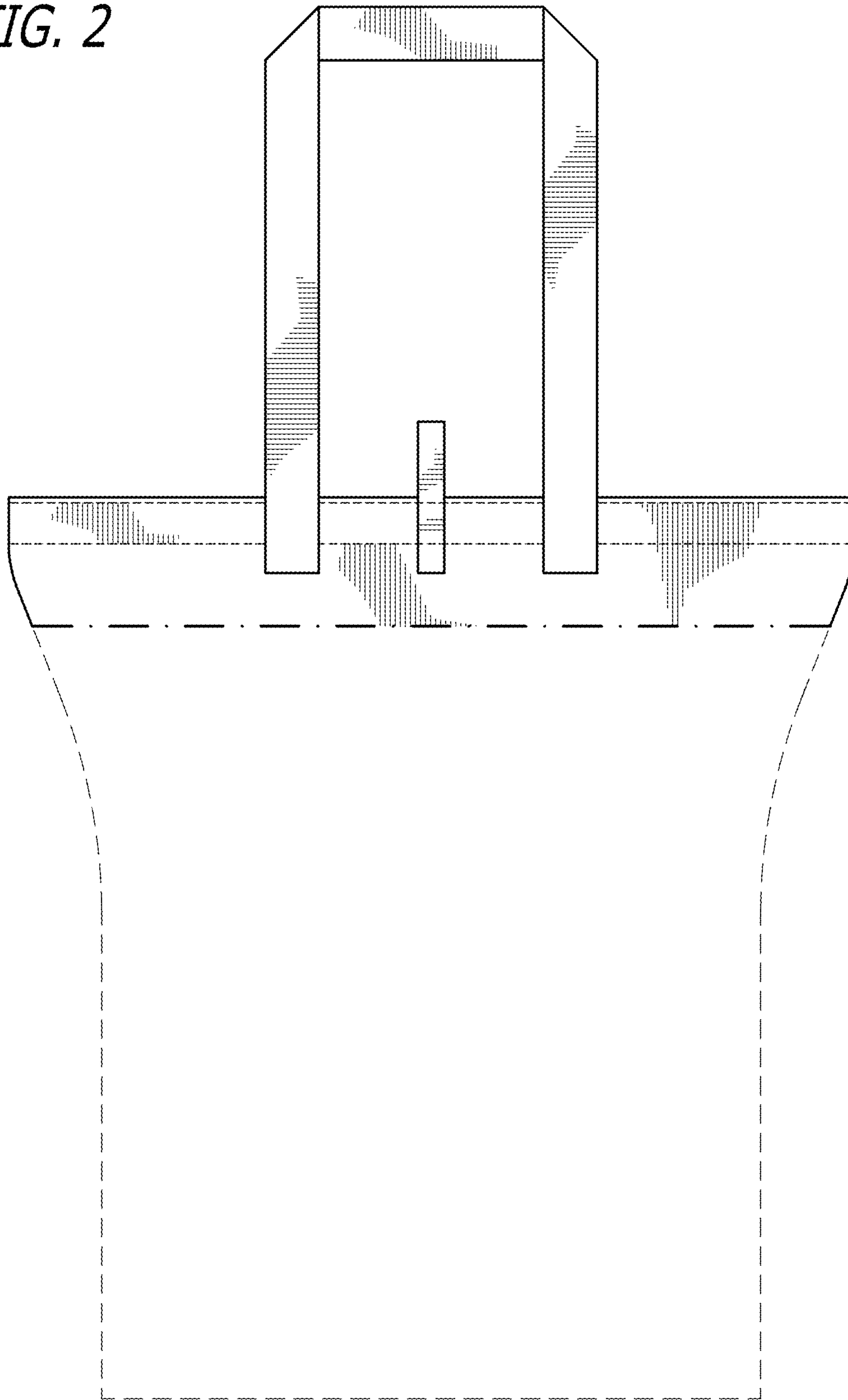


FIG. 3

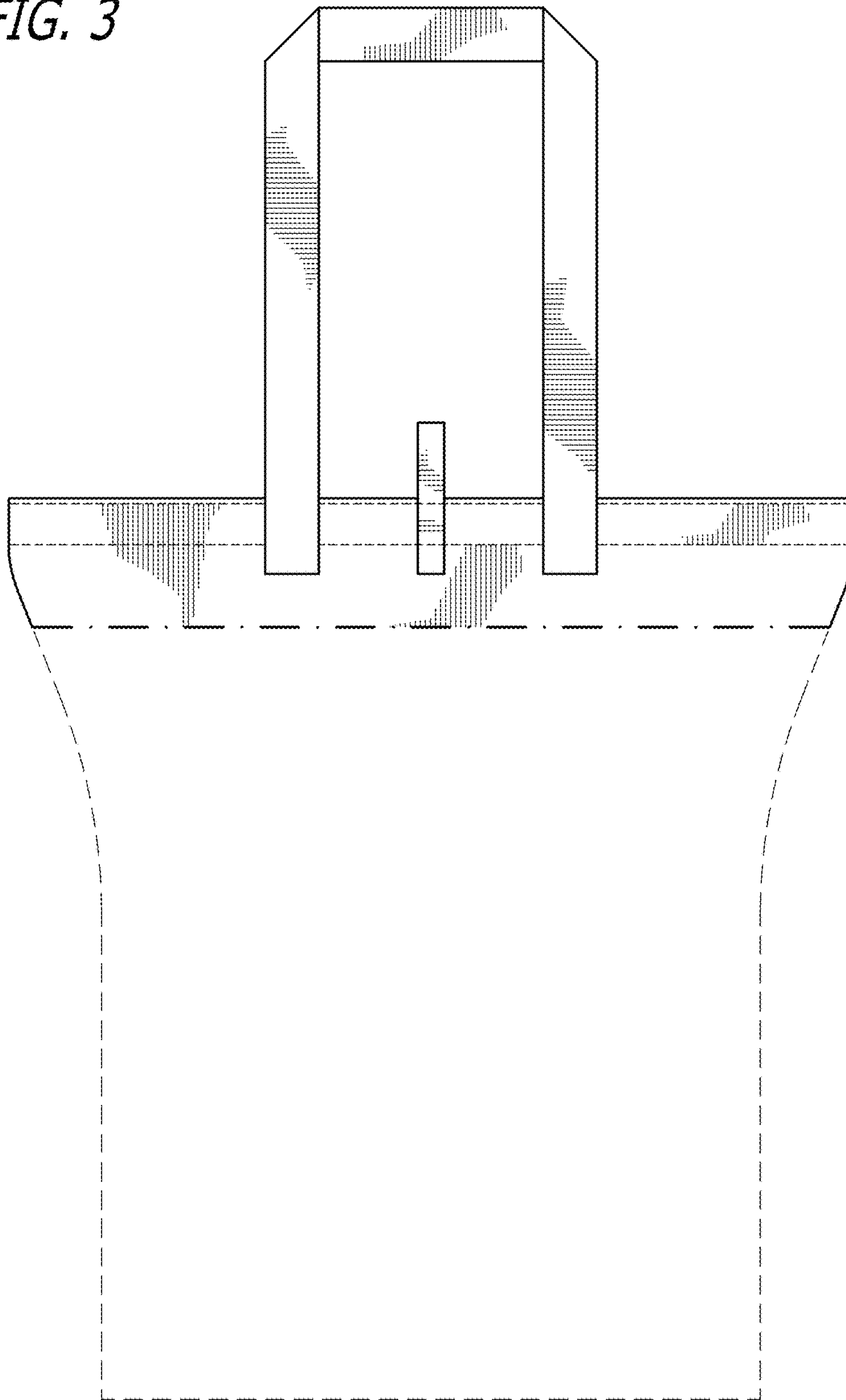


FIG. 4

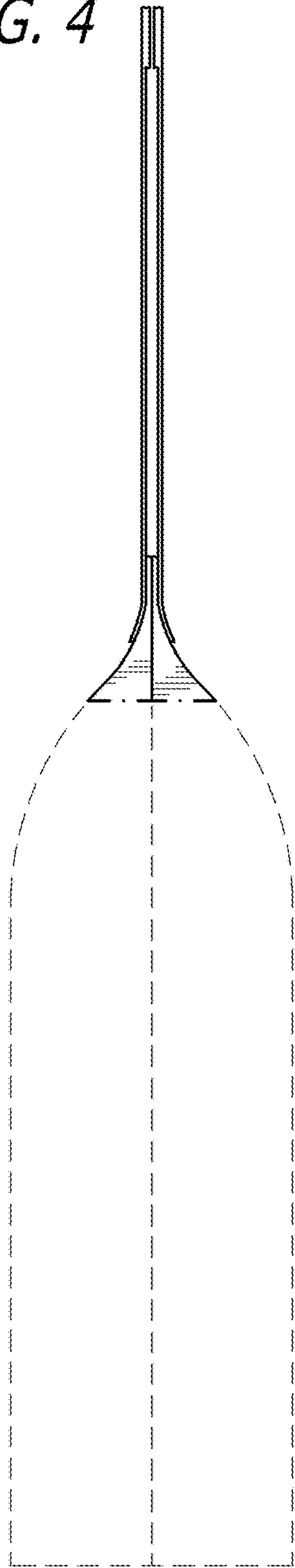
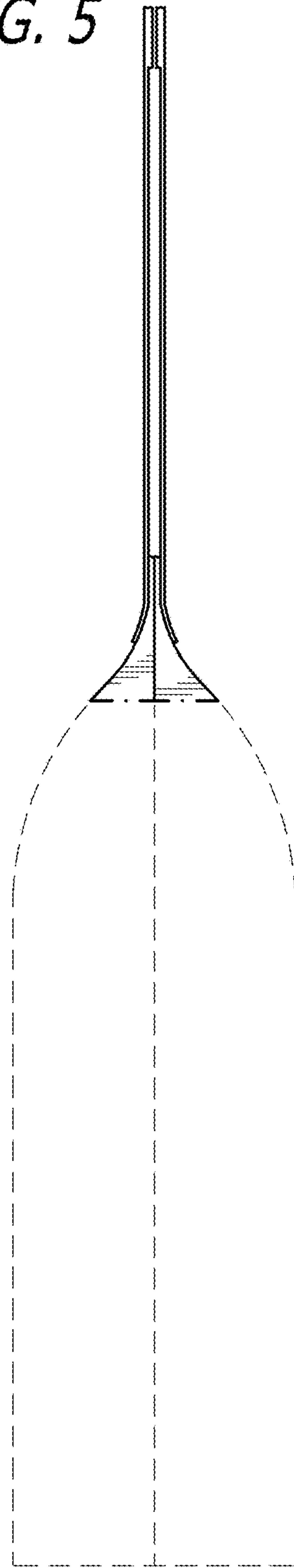


FIG. 5



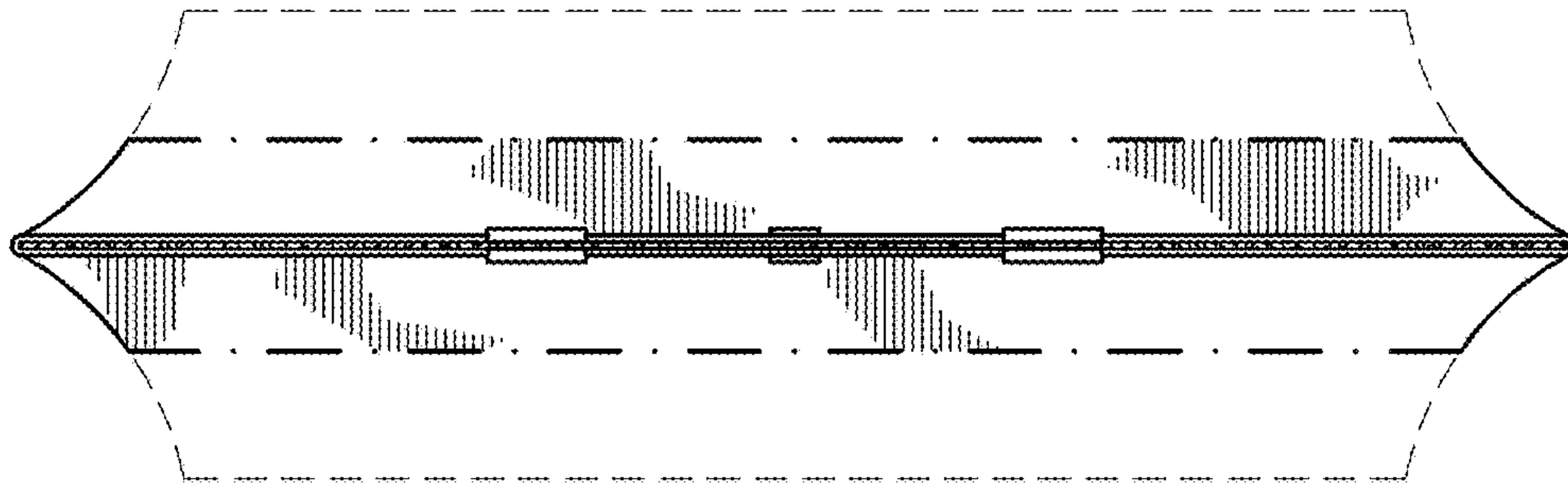


FIG. 6



FIG. 7

FIG. 8

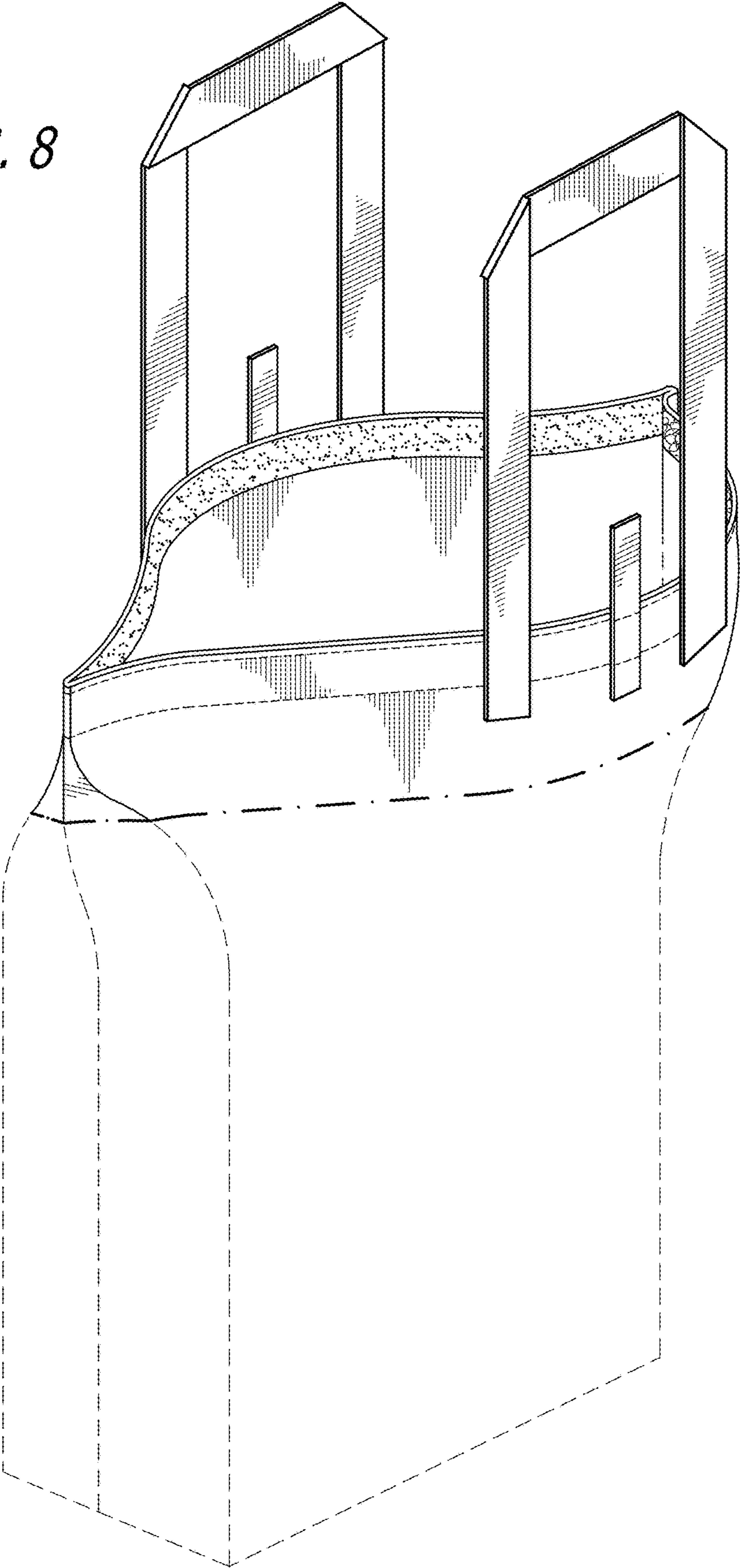


FIG. 9

