



US00D825912S

(12) **United States Design Patent**
Evans

(10) **Patent No.:** **US D825,912 S**

(45) **Date of Patent:** **** Aug. 21, 2018**

(54) **CRUTCHES**

(71) Applicant: **Morgan Evans**, Buffalo, NY (US)

(72) Inventor: **Morgan Evans**, Buffalo, NY (US)

(**) Term: **15 Years**

(21) Appl. No.: **29/602,895**

(22) Filed: **May 4, 2017**

(51) **LOC (11) Cl.** **03-01**

(52) **U.S. Cl.**
USPC **D3/7**

(58) **Field of Classification Search**
USPC D3/5, 6, 7, 8, 9, 10, 11
CPC A61H 3/02; A61H 2003/002; A45B 1/00
See application file for complete search history.

(56) **References Cited**

U.S. PATENT DOCUMENTS

3,429,541	A *	2/1969	Herman	A61H 3/02
					135/68
3,985,148	A *	10/1976	Cadman	A45B 1/00
					135/66
4,027,687	A *	6/1977	McGowan	A61H 3/00
					135/66
4,146,045	A *	3/1979	Grant	A61H 3/02
					135/66
4,289,156	A *	9/1981	Ulics	A61H 3/00
					135/66
4,295,483	A *	10/1981	Smith	A61H 3/02
					135/66
4,711,261	A *	12/1987	Rosenberg	A61H 3/02
					128/DIG. 15
D316,326	S *	4/1991	Kaldenbach	D3/10
D316,479	S *	4/1991	Miller	D3/11
D324,297	S *	3/1992	Cline, III	D3/10
5,101,845	A *	4/1992	Kravetz	A45B 3/00
					135/66

D328,519	S *	8/1992	Tom	D3/10
D343,055	S *	1/1994	Child	D12/133
5,340,005	A *	8/1994	Woods	A61H 3/00
					135/66
D357,798	S *	5/1995	Dietrich	D3/10
D361,655	S *	8/1995	Lunceford	D3/8
5,465,884	A *	11/1995	Bohl	A45B 1/00
					135/66
5,555,904	A *	9/1996	Stockwell	A61H 3/02
					135/68
5,642,749	A *	7/1997	Perryman	A61H 3/02
					135/66
5,647,519	A *	7/1997	Brennan	A61H 3/02
					135/66
D382,393	S *	8/1997	Tyler	D3/10

(Continued)

Primary Examiner — John Windmuller

Assistant Examiner — Steven J Czyz

(57) **CLAIM**

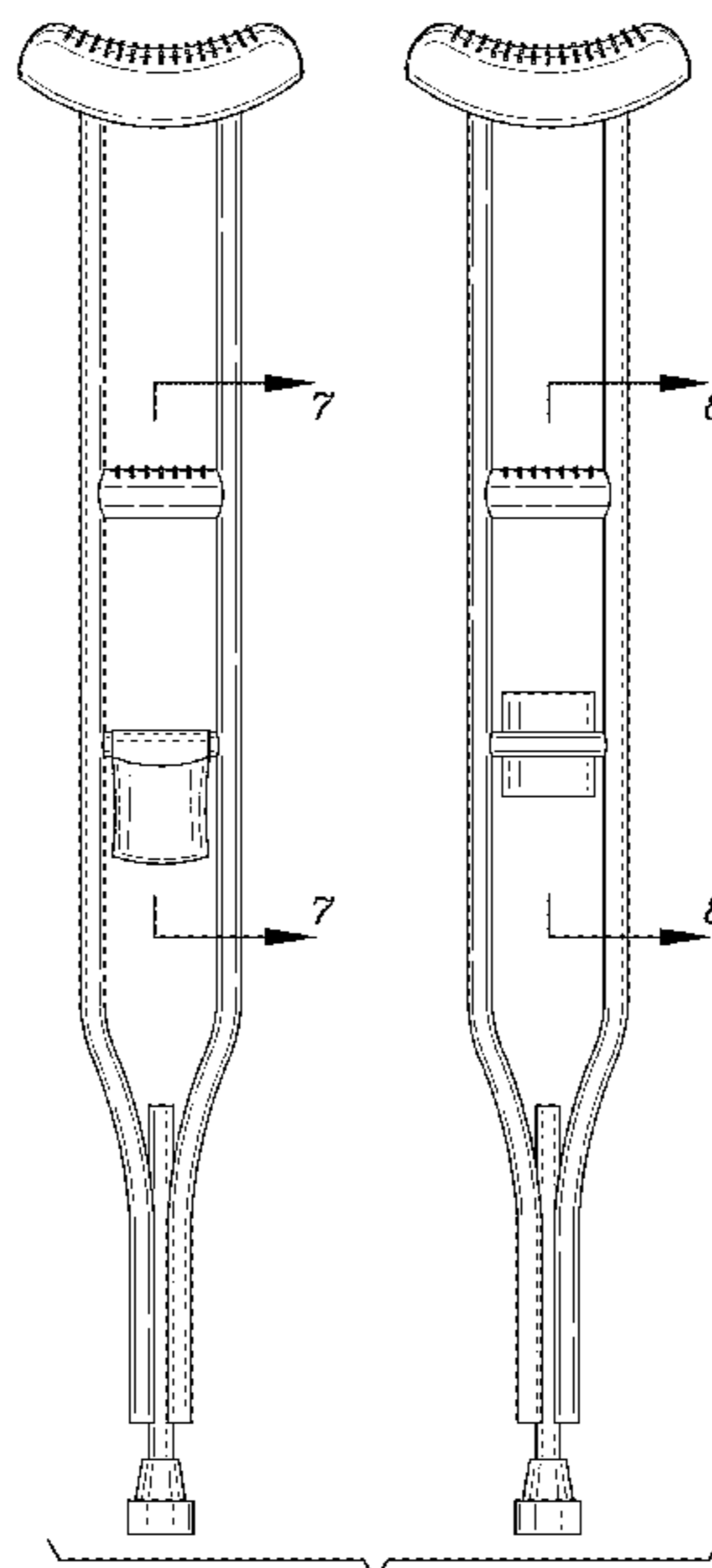
The ornamental design for a crutches, as shown and described.

DESCRIPTION

FIG. 1 is a front view of crutches showing my new design; FIG. 2 is a rear view of the crutches; FIG. 3 is a left side view of the crutches; FIG. 4 is a right side view of the crutches; FIG. 5 is a top view of the crutches; FIG. 6 is a bottom view of the crutches; FIG. 7 is a cross-sectional view taken along line 7-7 of FIG. 1; and, FIG. 8 is a cross-sectional view taken along line 8-8 of FIG. 1.

A portion of the crutches in FIGS. 7 and 8, are shown broken away to indicate that it has no particular length beyond what is shown. Broken lines shown in FIGS. 7 and 8 are illustrative of portions forming no part of the claimed design.

1 Claim, 5 Drawing Sheets



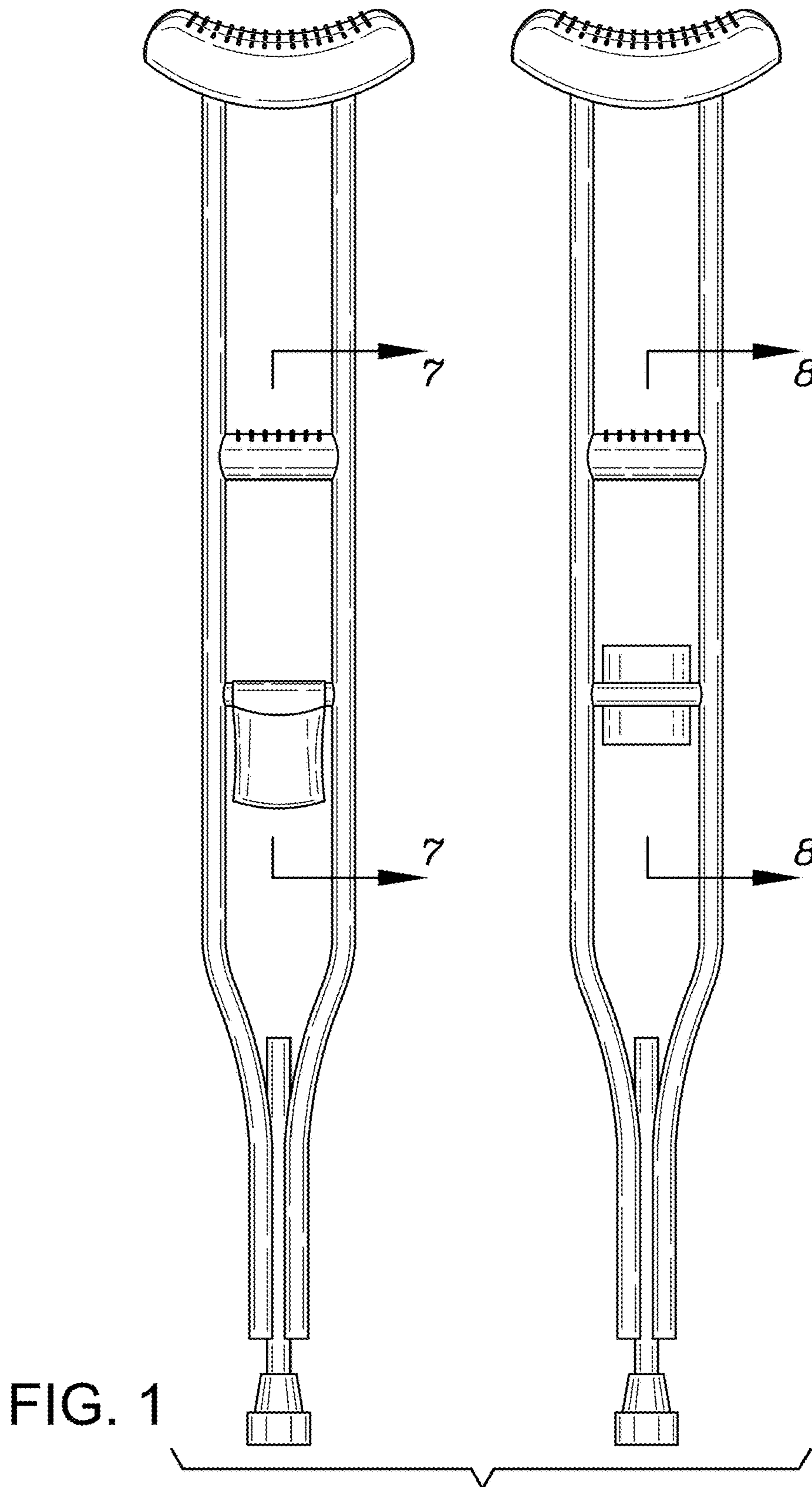
(56)

References Cited

U.S. PATENT DOCUMENTS

5,803,327	A *	9/1998	Nipper	A61H 3/02	135/66
D411,654	S *	6/1999	Olkey	D3/10	
D413,014	S *	8/1999	Lacy	D3/8	
D413,430	S *	9/1999	Granata	D3/10	
D425,293	S *	5/2000	Maalik	D3/8	
6,253,776	B1 *	7/2001	Lin	A61H 3/0288	135/68
6,718,994	B2 *	4/2004	Lewis	A61H 3/02	135/73
D516,800	S *	3/2006	Bacon	D3/8	
7,243,667	B2 *	7/2007	Floriani	A61H 3/02	135/68
D617,544	S *	6/2010	Okoniewski, Jr.	D3/7	
D632,070	S *	2/2011	Clark	D3/10	
8,146,614	B2 *	4/2012	Ford	A45B 3/00	135/66
9,375,379	B1 *	6/2016	Morier	A61H 3/008	
9,545,355	B1 *	1/2017	Welch	A61H 3/02	
D787,809	S *	5/2017	Vessel-Hills	D3/10	
2002/0189658	A1 *	12/2002	Wang	A61H 3/02	135/68
2004/0011392	A1 *	1/2004	Maulden	A61H 3/02	135/68
2005/0178939	A1 *	8/2005	Krieg	A61H 3/02	248/311.2
2005/0236448	A1 *	10/2005	Reader	A45L 33/10	224/407
2006/0096627	A1 *	5/2006	Johnson	A61H 3/02	135/68
2006/0096628	A1 *	5/2006	Han	A61H 3/02	135/71
2006/0097020	A1 *	5/2006	Johnson	A61H 3/02	224/407
2006/0107982	A1 *	5/2006	Tsai	A61H 3/02	135/72
2006/0124163	A1 *	6/2006	Tu	A61H 3/02	135/79
2006/0137728	A1 *	6/2006	Floriani	A61H 3/02	135/66
2007/0089770	A1 *	4/2007	Park	A61H 3/0277	135/82
2007/0228094	A1 *	10/2007	Bednarz	A61H 3/02	224/407
2008/0035190	A1 *	2/2008	Baker	A61H 3/02	135/68
2008/0163914	A1 *	7/2008	Weber	A61H 3/02	135/68
2008/0283104	A1 *	11/2008	Weng	A61H 3/02	135/72
2010/0001145	A1 *	1/2010	Scott	A61H 3/02	248/103
2010/0186789	A1 *	7/2010	Vegvary	A61H 3/02	135/69
2011/0247667	A1 *	10/2011	Ford	A45B 3/00	135/66
2011/0303714	A1 *	12/2011	Manson	A45B 1/00	224/576
2012/0118340	A1 *	5/2012	Morris	A61H 3/02	135/66
2012/0167933	A1 *	7/2012	Vegvary	A61H 3/02	135/69
2013/0146111	A1 *	6/2013	Gelfand	A61H 3/02	135/71
2015/0040955	A1 *	2/2015	Walther	A61H 3/02	135/66
2015/0040956	A1 *	2/2015	Turturro	A61H 3/02	135/66
2015/0297438	A1 *	10/2015	Hsu	A61H 3/02	135/69
2016/0249715	A1 *	9/2016	Hoogenboom	A61H 3/0277	135/69
2017/0181918	A1 *	6/2017	Weber	A61H 3/0277	

* cited by examiner



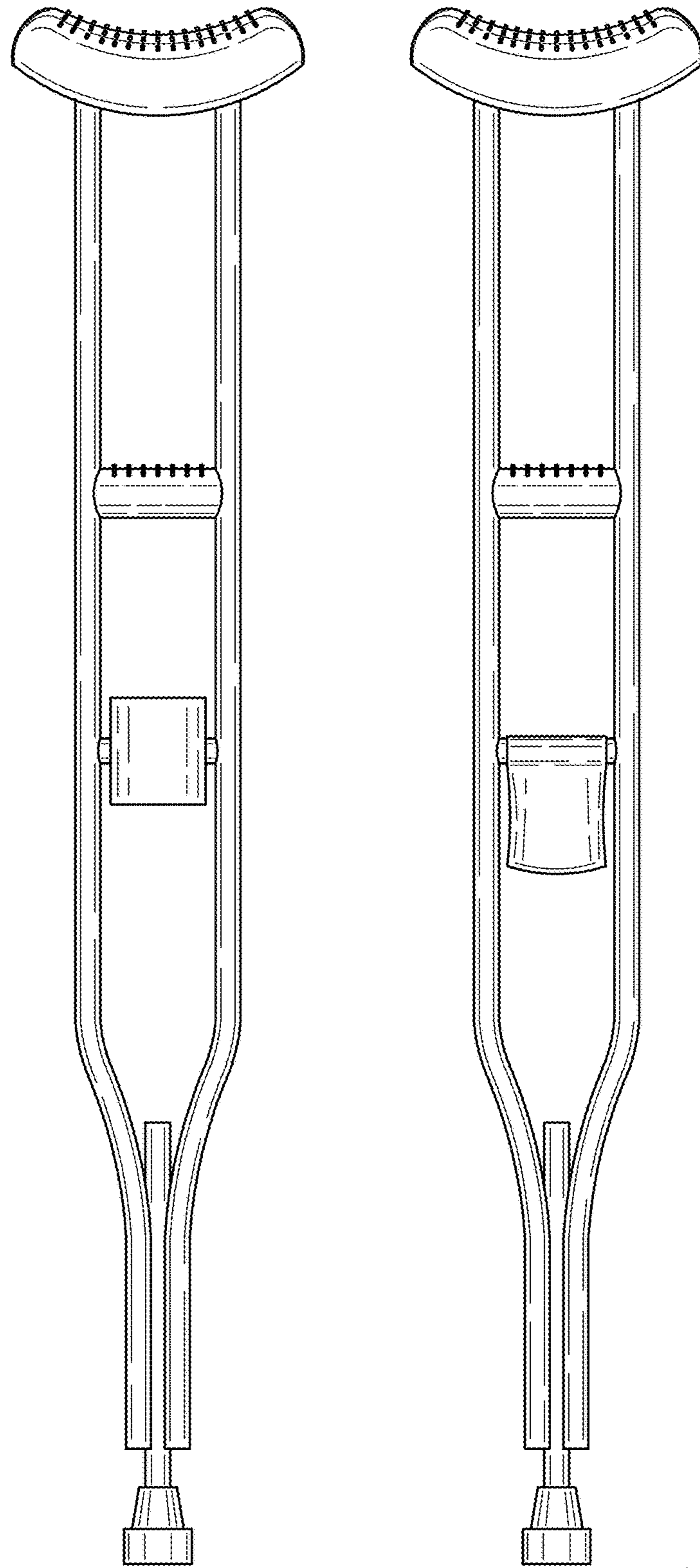
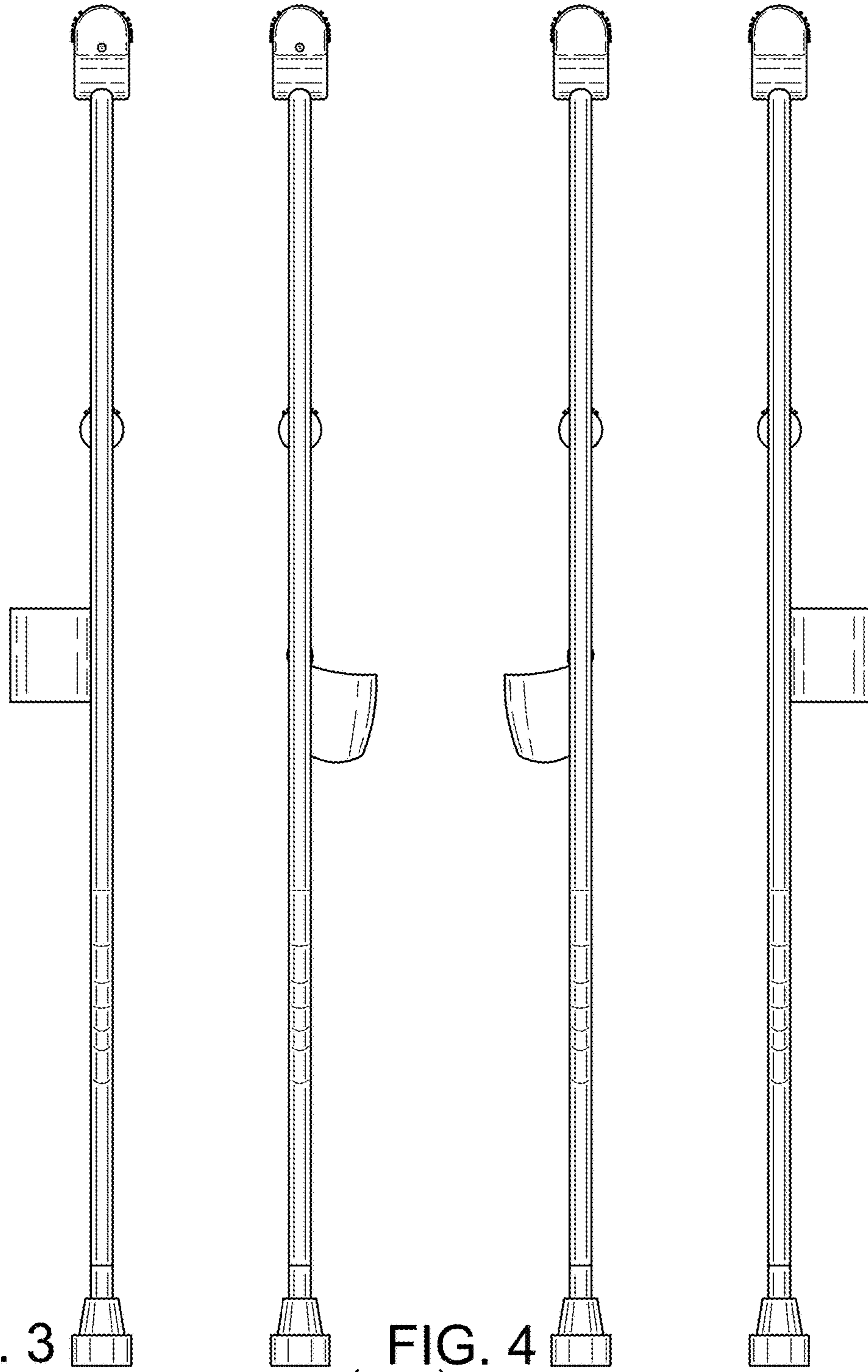


FIG. 2



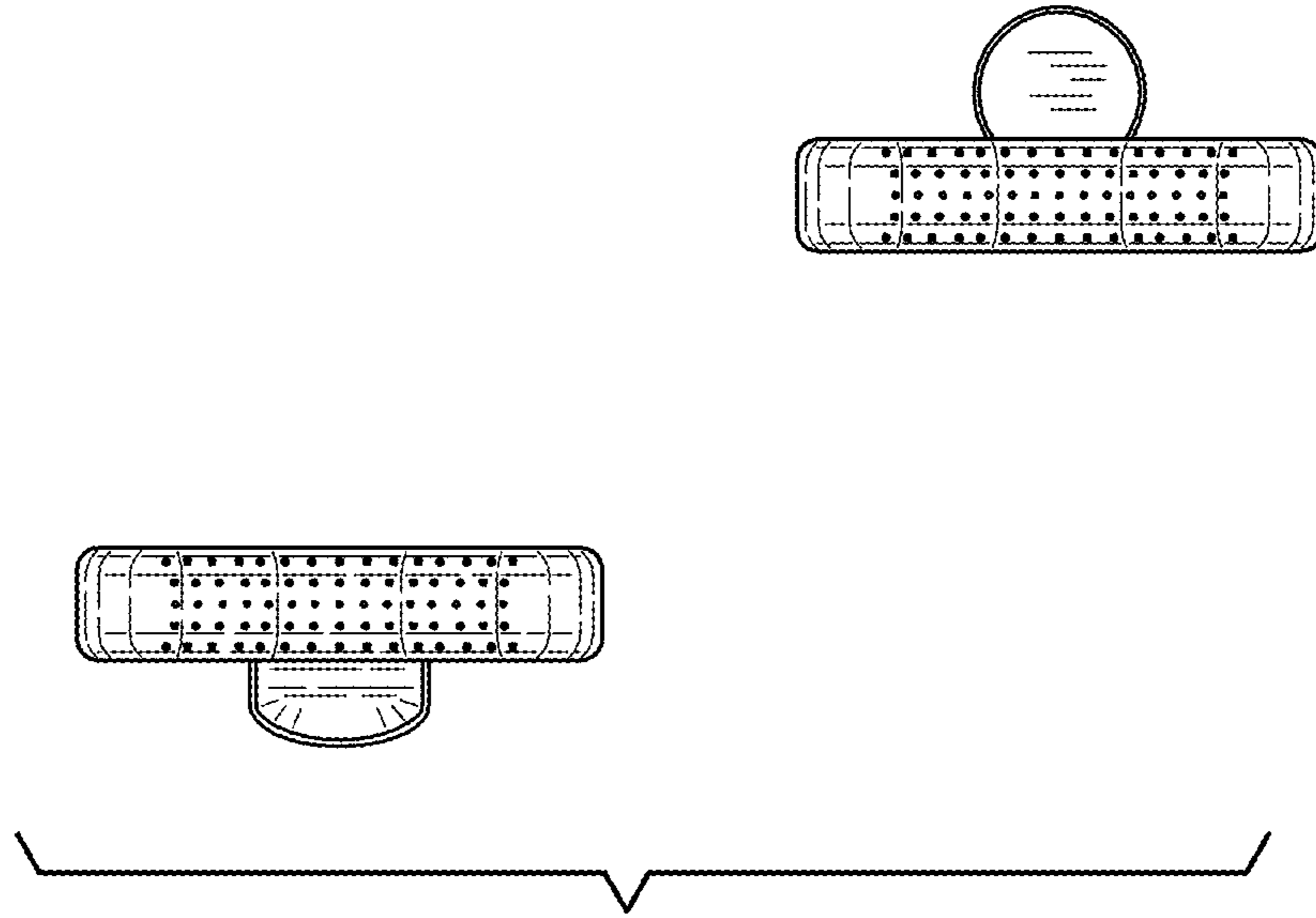


FIG. 5

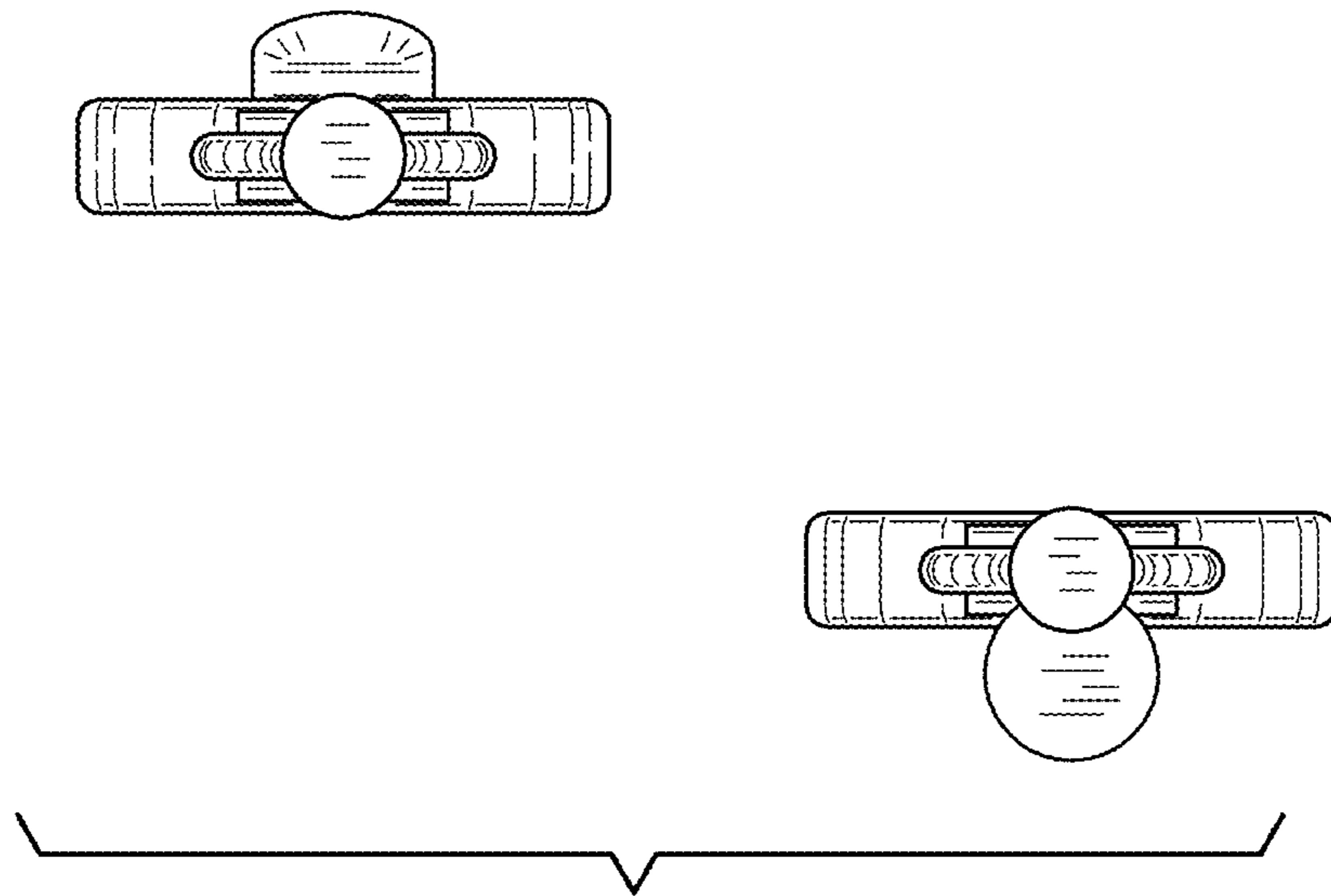


FIG. 6

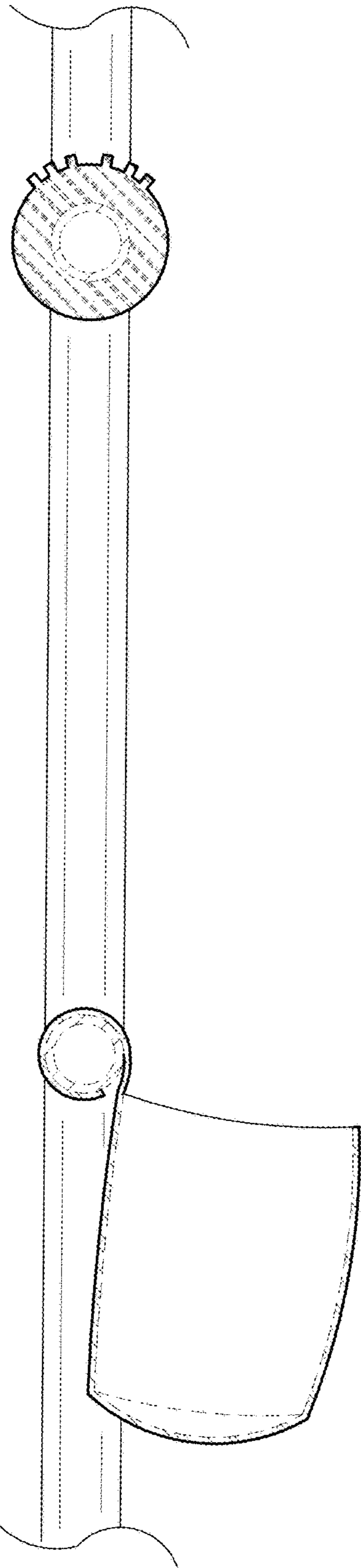


FIG. 7

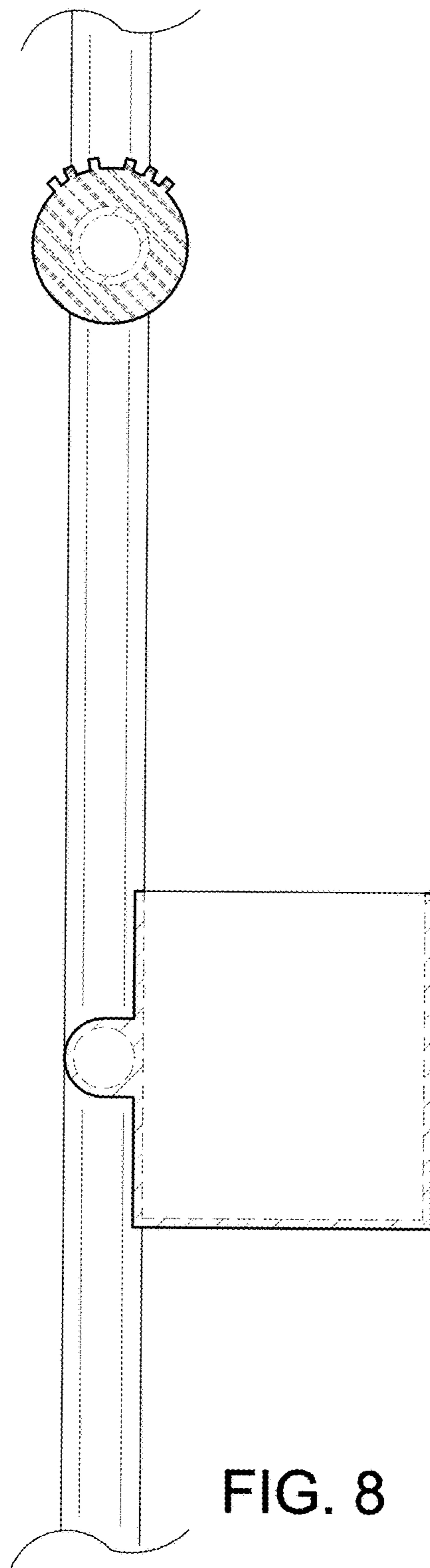


FIG. 8