



US00D825899S

(12) **United States Design Patent** (10) **Patent No.:** **US D825,899 S**  
**Engerman** (45) **Date of Patent:** **\*\* Aug. 21, 2018**

(54) **FOOTWEAR**  
(71) Applicant: **Crocs, Inc.**, Niwot, CO (US)  
(72) Inventor: **Danielle Engerman**, Denver, CO (US)  
(73) Assignee: **Crocs, Inc.**, Niwot, CO (US)  
(\*\*) Term: **15 Years**  
(21) Appl. No.: **29/590,096**

D667,612 S 9/2012 Del Biondi et al.  
D691,351 S \* 10/2013 Pugazhenthii ..... D2/896  
D709,677 S \* 7/2014 del Biondi ..... D2/923  
D726,397 S \* 4/2015 Del Biondi ..... D2/923  
D732,808 S \* 6/2015 Del Biondi ..... D2/923  
D739,125 S 9/2015 Chanthavong  
D762,953 S 8/2016 Del Biondi et al.  
D768,364 S 10/2016 Chanthavong et al.  
D771,917 S 11/2016 Del Biondi et al.  
D787,789 S 5/2017 Del Biondi et al.  
D801,011 S 10/2017 Del Biondi et al.  
D801,013 S 10/2017 Laska et al.  
2006/0048407 A1\* 3/2006 Seamans ..... A43B 1/0081  
36/3 R

(22) Filed: **Jan. 6, 2017**  
(51) **LOC (11) Cl.** ..... **02-04**  
(52) **U.S. Cl.**  
USPC ..... **D2/923**  
(58) **Field of Classification Search**  
USPC ..... D2/896, 898, 899, 900, 916, 917, 919,  
D2/926, 943, 946-96, 969, 972  
CPC ..... A43B 1/0081; A43B 1/14; A43B 3/0042;  
A43B 7/06; A43B 7/08; A43B 3/12;  
A43B 3/10; A43B 3/102  
See application file for complete search history.

\* cited by examiner

*Primary Examiner* — Holly H Baynham  
*Assistant Examiner* — Rashida C. Walshon  
(74) *Attorney, Agent, or Firm* — Wilmer Cutler Pickering  
Hale and Dorr LLP

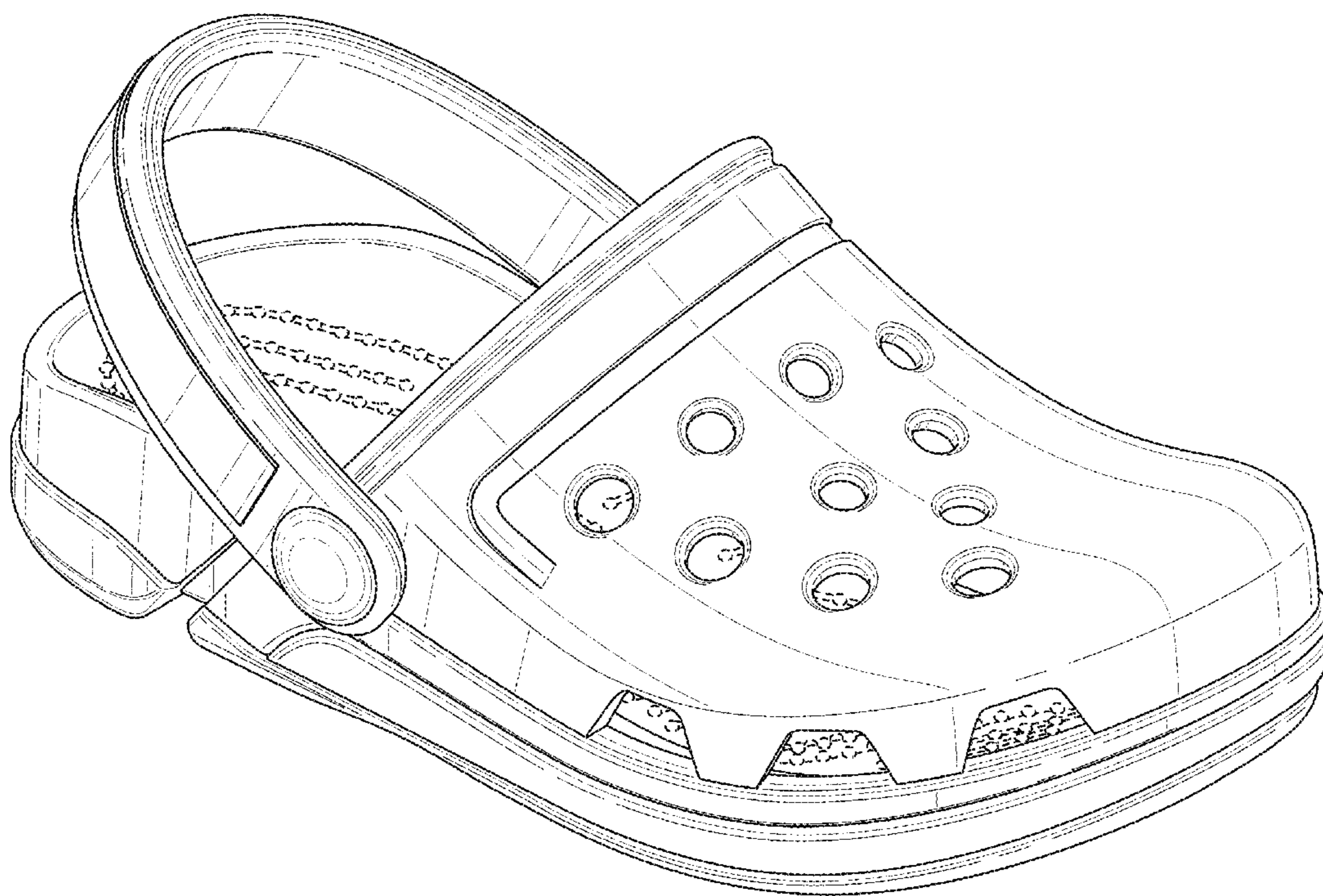
(57) **CLAIM**  
The ornamental design for footwear, as shown and  
described.

**DESCRIPTION**

FIG. 1 is a front perspective view of footwear;  
FIG. 2 is a front view thereof;  
FIG. 3 is a back view thereof;  
FIG. 4 is an outer side view thereof;  
FIG. 5 is an inner side view thereof;  
FIG. 6 is a top view thereof; and,  
FIG. 7 is a bottom view thereof.  
The elements shown in FIGS. 1-7 in broken lines form no  
part of the claimed design.

(56) **References Cited**  
U.S. PATENT DOCUMENTS  
D517,789 S \* 3/2006 Seamans ..... D2/969  
D545,032 S \* 6/2007 Wolf ..... D2/923  
D545,033 S \* 6/2007 Wolf ..... D2/926  
D575,480 S \* 8/2008 Zimmerman ..... D2/896  
D579,651 S \* 11/2008 Hearn ..... D2/972  
D590,588 S 4/2009 del Biondi et al.  
D610,784 S 3/2010 Del Biondi  
D624,733 S 10/2010 O'Boyle et al.

**1 Claim, 7 Drawing Sheets**



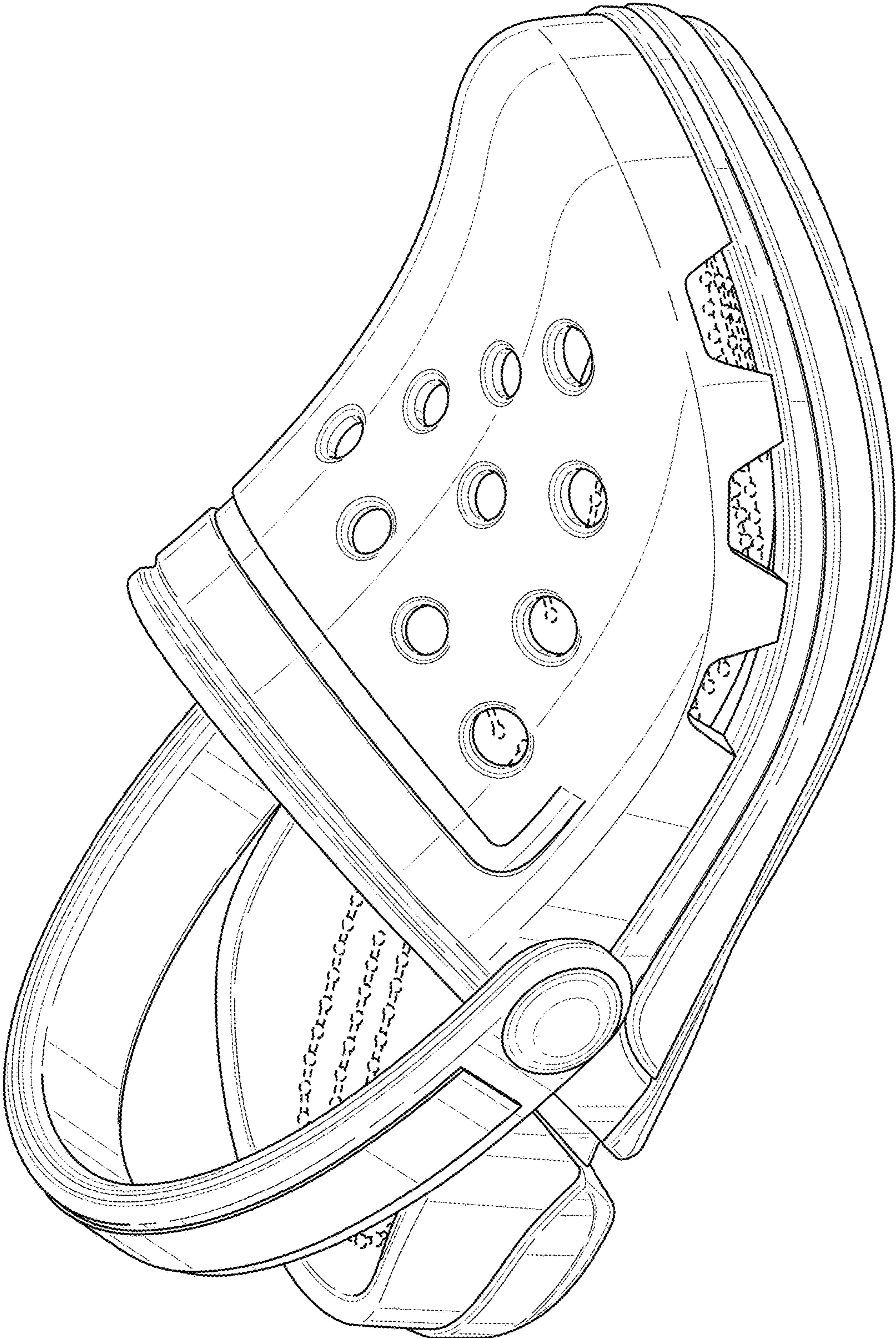


FIG. 1

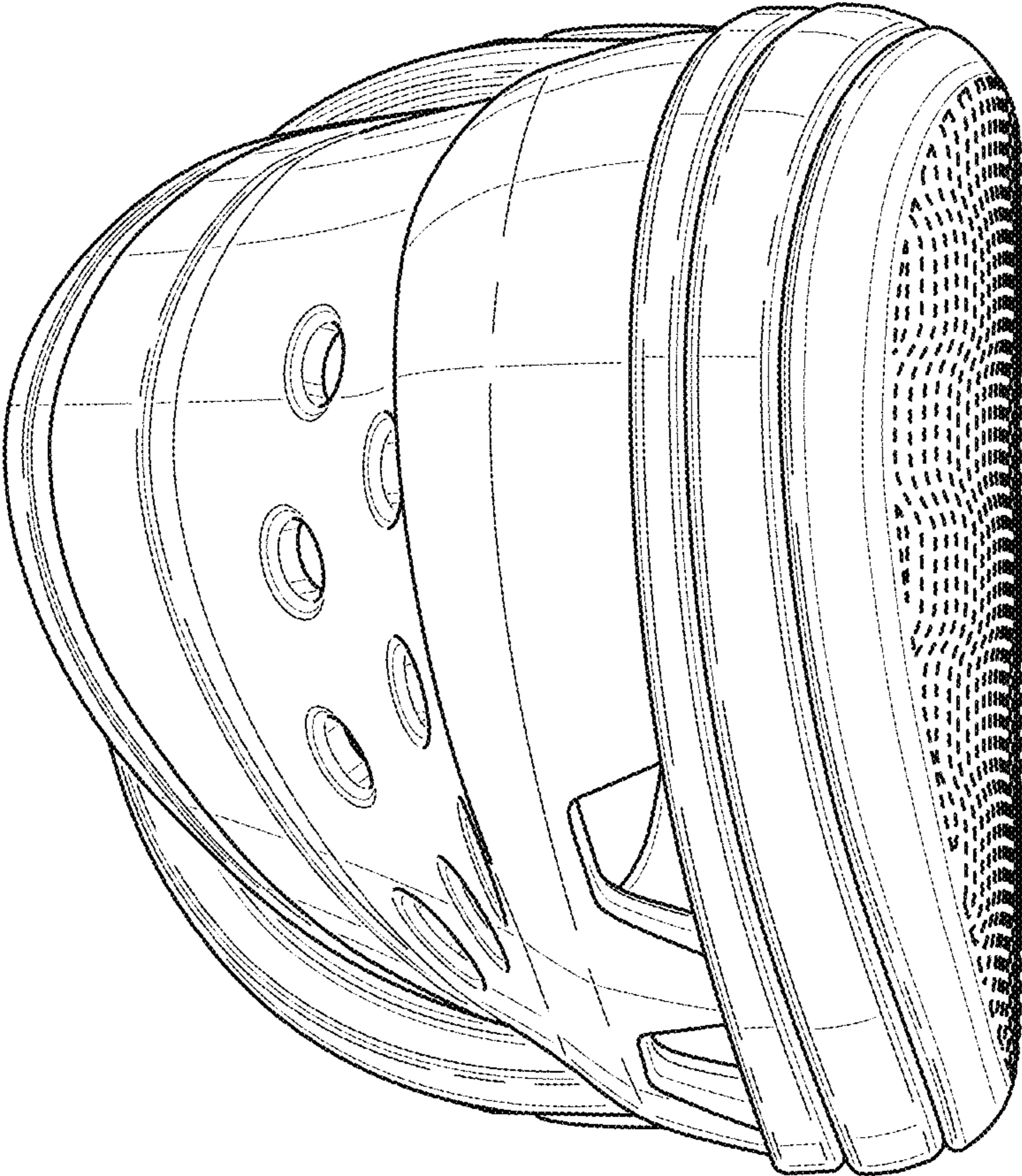


FIG. 2

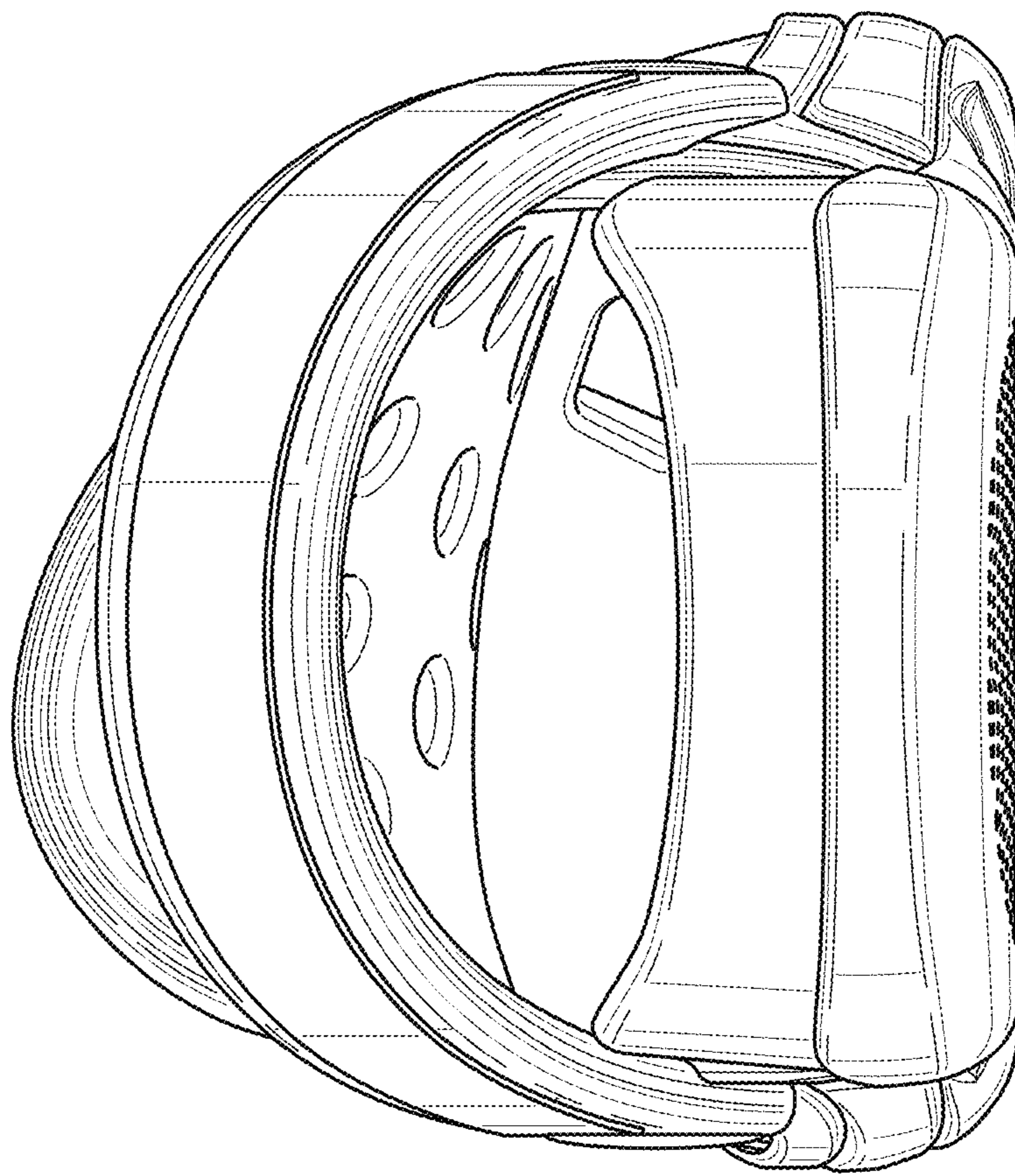


FIG. 3

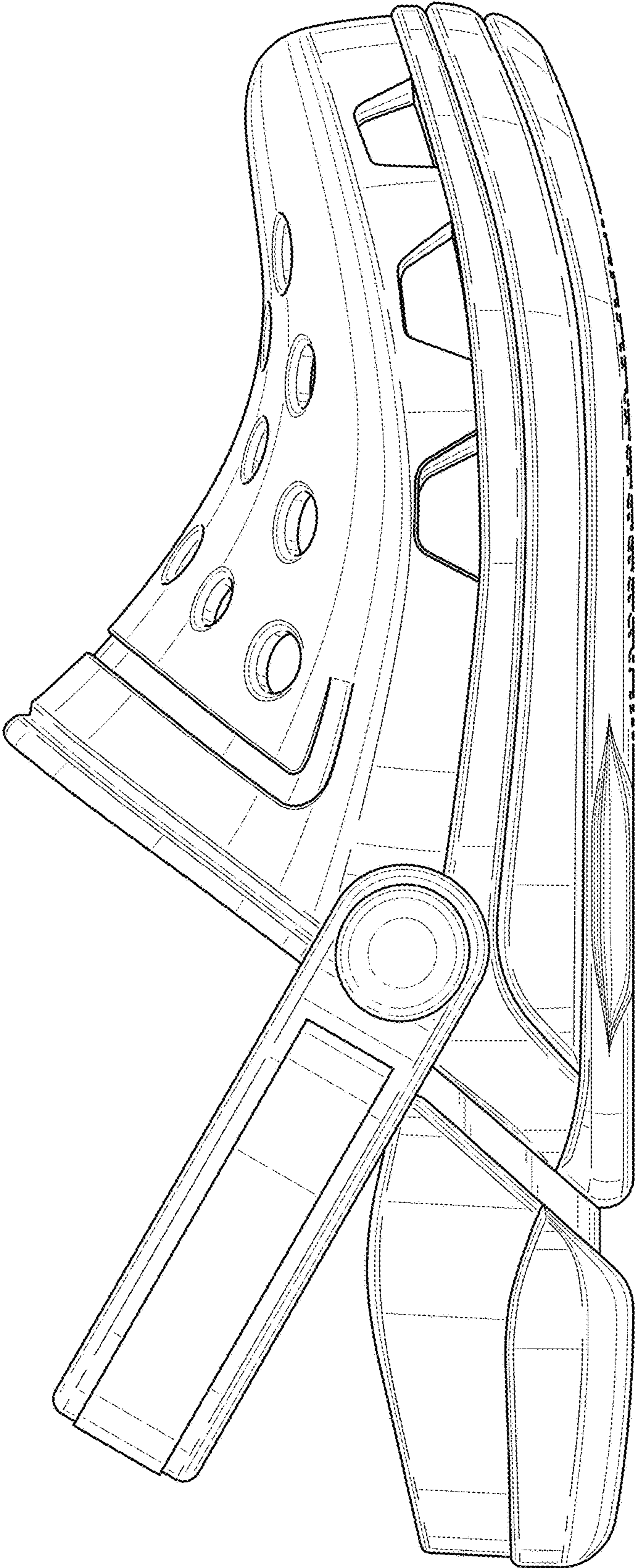


FIG. 4

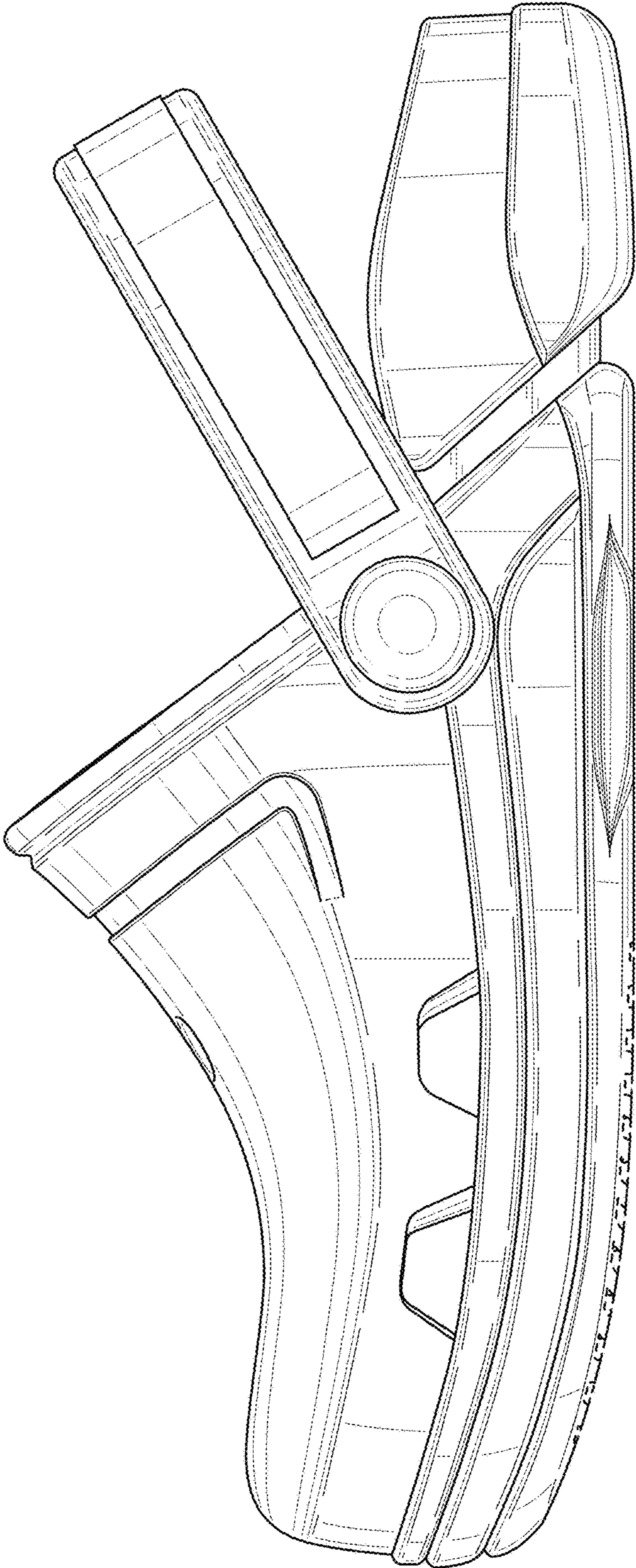


FIG. 5

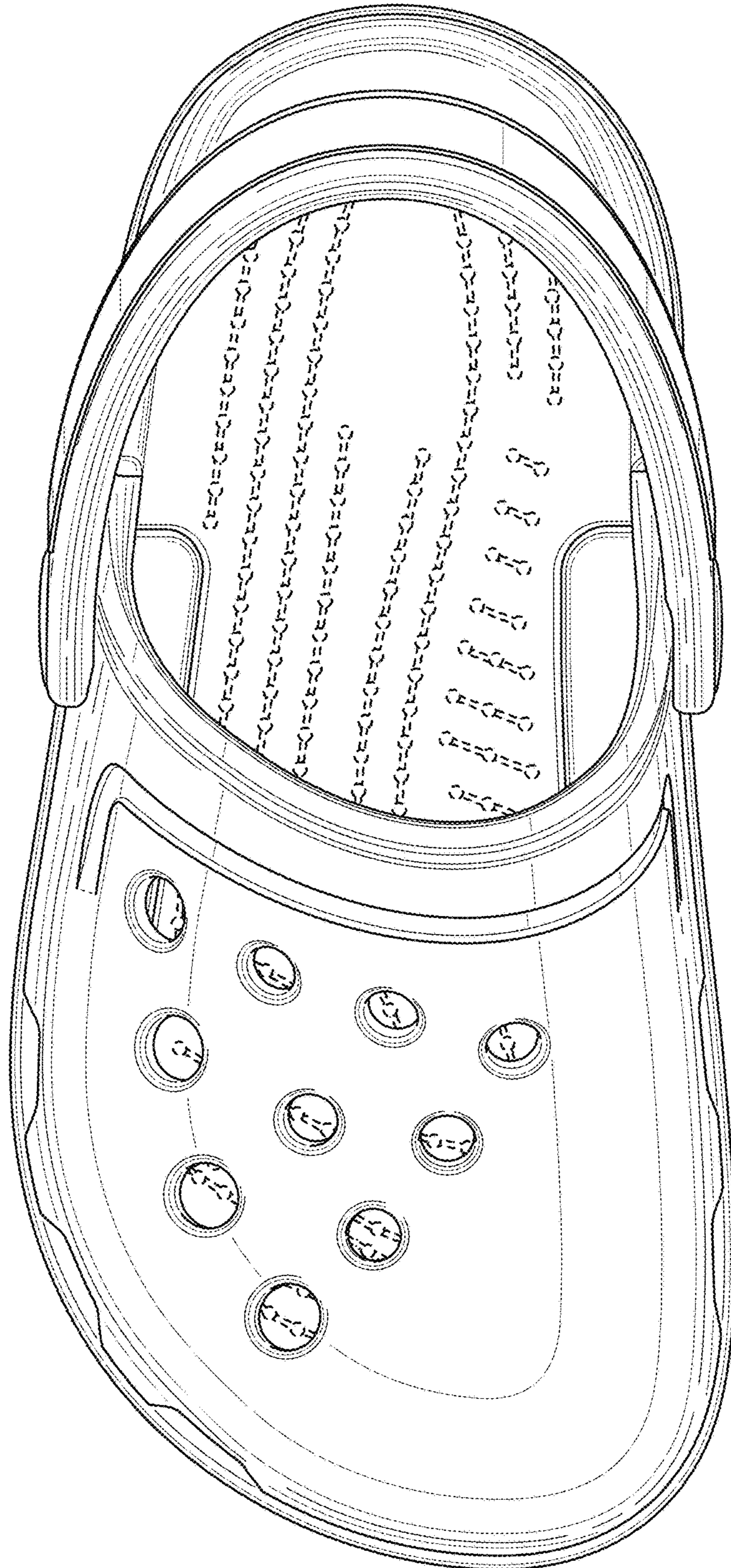


FIG. 6

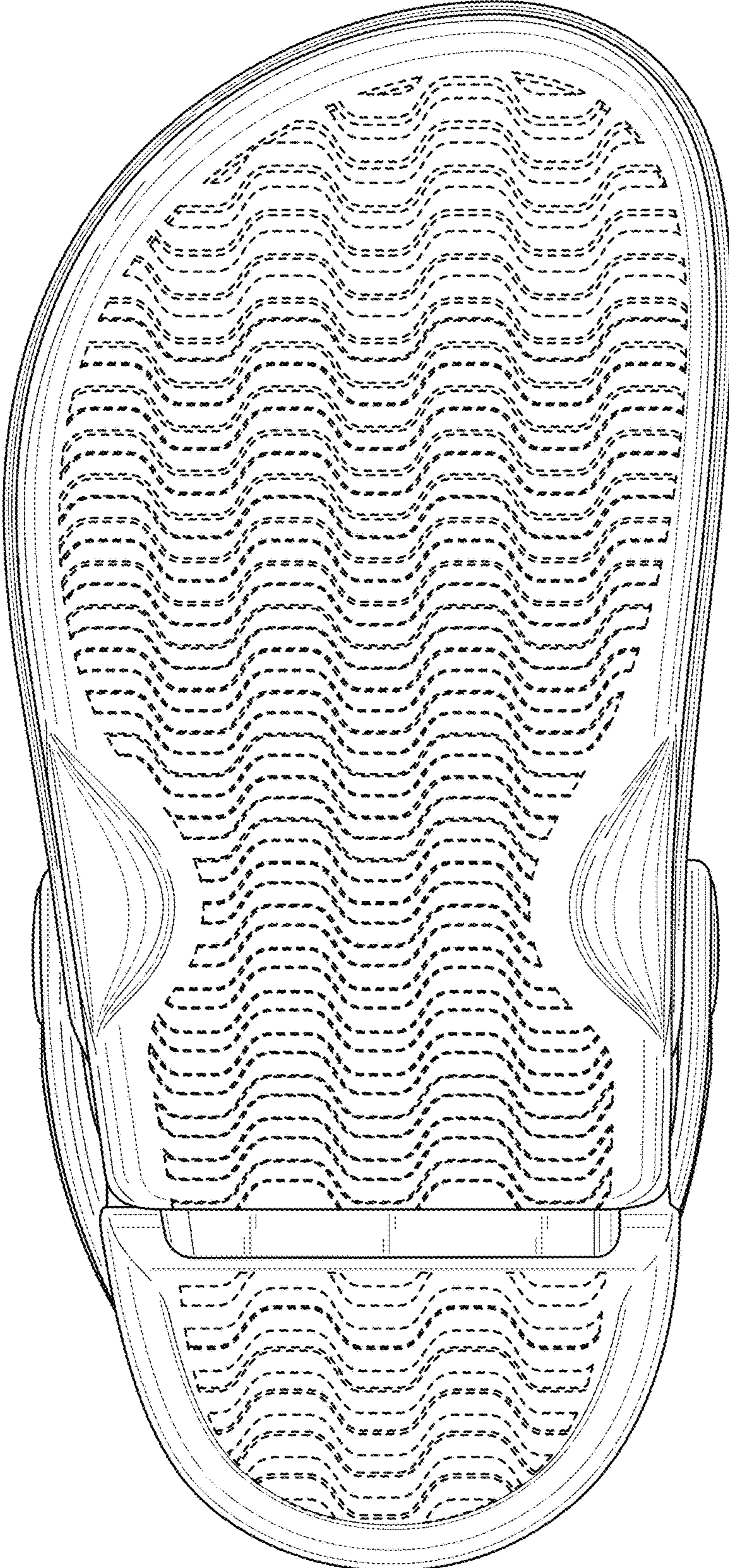


FIG. 7