



US00D825891S

(12) **United States Design Patent** (10) **Patent No.:** **US D825,891 S**  
**Parsons et al.** (45) **Date of Patent:** **\*\* Aug. 21, 2018**

(54) **GOLF CLUB HEAD**

(71) Applicant: **PARSONS XTREME GOLF, LLC**,  
Scottsdale, AZ (US)

(72) Inventors: **Robert R. Parsons**, Scottsdale, AZ  
(US); **Michael R. Nicolette**, Scottsdale,  
AZ (US); **Bradley D. Schweigert**,  
Anthem, AZ (US)

(73) Assignee: **PARSONS XTREME GOLF, LLC**,  
Scottsdale, AZ (US)

(\*\*) Term: **15 Years**

(21) Appl. No.: **29/619,133**

(22) Filed: **Sep. 27, 2017**

**Related U.S. Application Data**

(63) Continuation-in-part of application No. 29/614,849,  
filed on Aug. 23, 2017, which is a  
continuation-in-part of application No. 29/604,649,  
filed on May 18, 2017, and a continuation-in-part of  
application No. 29/601,663, filed on Apr. 25, 2017.

(51) **LOC (11) Cl.** ..... **21-02**

(52) **U.S. Cl.**  
USPC ..... **D2/747**

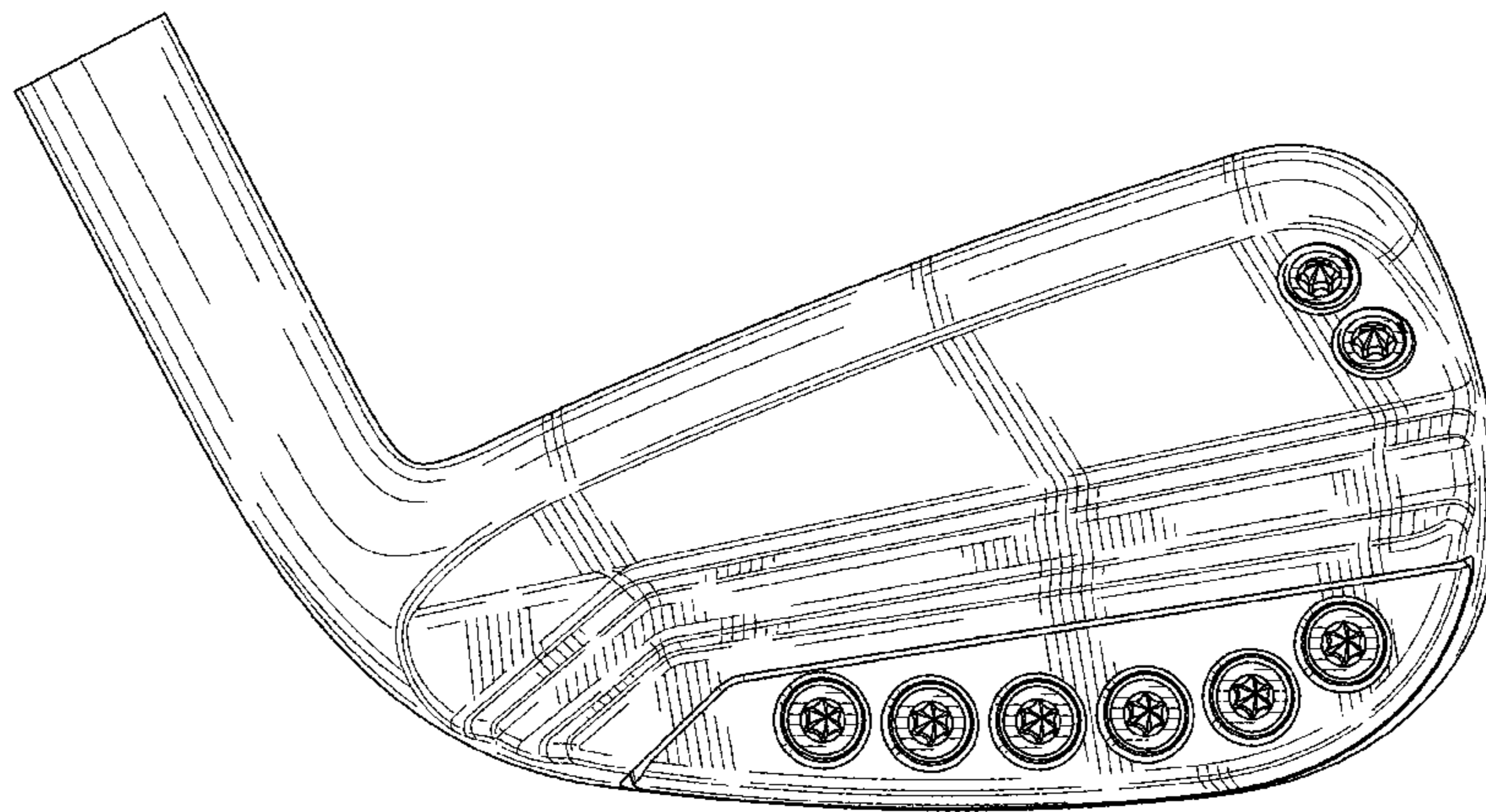
(58) **Field of Classification Search**  
USPC ..... D21/747-751, 759  
CPC ..... A63B 53/00; A63B 53/02; A63B 53/04;  
A63B 53/047; A63B 53/0475; A63B  
2053/0479; A63B 2053/0483; A63B  
2053/0445; A63B 60/00; A63B 60/46  
See application file for complete search history.

D215,101 S 9/1969 Sabat  
D234,963 S 4/1975 Hirata  
D239,550 S 4/1976 Timbrook  
D240,054 S 5/1976 Meissler  
D261,167 S 10/1981 Swanson  
D294,617 S \* 3/1988 Perkins ..... D21/749  
4,754,977 A \* 7/1988 Sahm ..... A63B 53/04  
473/337  
4,824,116 A 4/1989 Nagamoto et al.  
4,988,104 A 1/1991 Shiotani et al.  
5,158,296 A \* 10/1992 Lee ..... A63B 53/04  
473/327  
5,176,384 A 1/1993 Sata et al.  
5,213,328 A 5/1993 Long et al.  
D336,672 S 6/1993 Gorman  
D353,862 S 12/1994 Saito  
D357,520 S 4/1995 Helmstetter et al.  
5,419,560 A 5/1995 Bamber  
5,425,535 A 6/1995 Gee  
D361,358 S 8/1995 Simmons  
5,447,311 A 9/1995 Viollaz et al.  
5,451,056 A 9/1995 Manning  
D362,884 S \* 10/1995 Blough ..... D21/750  
D362,885 S \* 10/1995 Blough ..... D21/747  
D362,887 S \* 10/1995 Blough ..... D21/747  
D370,514 S \* 6/1996 Blough ..... D21/750  
5,540,437 A 7/1996 Bamber  
D379,106 S 5/1997 Maltby  
5,637,045 A 6/1997 Igarashi  
5,669,830 A 9/1997 Bamber  
D389,541 S 1/1998 Huan-Chiang  
D395,476 S 6/1998 Pond et al.  
5,766,091 A 6/1998 Humphrey et al.  
5,766,092 A 6/1998 Mimeur et al.  
D399,277 S 10/1998 Ezaki  
5,827,132 A 10/1998 Bamber  
D408,485 S 4/1999 Takahashi et al.  
5,899,821 A 5/1999 Hsu et al.  
5,935,016 A 8/1999 Antonious  
D414,535 S 9/1999 Mertens  
D421,080 S \* 2/2000 Chen ..... D21/747  
D426,276 S 6/2000 Besnard et al.  
D426,476 S 6/2000 Goss  
6,077,171 A \* 6/2000 Yoneyama ..... A63B 53/04  
473/291  
D442,659 S 5/2001 Kubica et al.  
D443,008 S 5/2001 Kubica et al.  
D445,862 S 7/2001 Ford  
6,290,609 B1 9/2001 Takeda  
D449,866 S 10/2001 Miller  
D457,211 S 5/2002 Bakke  
D458,328 S 6/2002 Solheim et al.  
D469,833 S 2/2003 Roberts et al.

(56) **References Cited**

**U.S. PATENT DOCUMENTS**

1,133,129 A \* 3/1915 Govan ..... A63B 53/0466  
473/337  
D164,469 S \* 9/1951 Behrendt ..... D21/750  
3,020,048 A 2/1962 Carroll  
D203,936 S 3/1966 Long



# US D825,891 S

D473,605 S	4/2003	Petersen et al.	D596,257 S	7/2009	Jertson et al.
D475,107 S	5/2003	Madore	D596,258 S	7/2009	Jertson et al.
D476,048 S	6/2003	Cleveland et al.	D596,688 S	7/2009	Schweigert et al.
D478,949 S	8/2003	DeLaCruz	D597,158 S	7/2009	Schweigert et al.
6,638,162 B2	10/2003	Kosmatka	D601,216 S	9/2009	Jertson et al.
6,695,714 B1	2/2004	Bliss et al.	7,588,502 B2 *	9/2009	Nishino ..... A63B 53/0466 473/332
6,702,693 B2	3/2004	Bamber	7,601,075 B2	10/2009	Cole et al.
D492,376 S	6/2004	Nicolette et al.	D604,783 S	11/2009	Nicolette et al.
D494,240 S	8/2004	Schweigert	7,611,424 B2	11/2009	Nagai et al.
D494,648 S	8/2004	Schweigert et al.	D606,605 S	12/2009	Wada et al.
6,780,123 B2	8/2004	Hasebe	D607,070 S	12/2009	Wada et al.
D497,963 S	11/2004	Toulon et al.	D607,071 S	12/2009	Wada et al.
6,811,496 B2	11/2004	Wahl et al.	7,658,686 B2	2/2010	Soracco
D499,779 S	12/2004	Mahaffey et al.	D612,438 S	3/2010	Carlyle et al.
D500,350 S	12/2004	Schweigert et al.	D612,439 S	3/2010	Carlyle et al.
D500,351 S	12/2004	Schweigert et al.	D617,406 S	6/2010	Carlyle et al.
D502,237 S	2/2005	Schweigert et al.	D618,293 S	6/2010	Foster et al.
D502,975 S	3/2005	Schweigert et al.	D621,894 S	6/2010	Schweigert
D503,204 S	3/2005	Nicolette et al.	7,736,243 B2	6/2010	Sanchez et al.
D504,925 S	5/2005	Schweigert et al.	7,744,484 B1	6/2010	Chao
D505,171 S	5/2005	Schweigert et al.	D621,893 S	8/2010	Nicolette et al.
D507,320 S	7/2005	Roberts et al.	D621,895 S	8/2010	Schweigert et al.
D507,614 S	7/2005	Schweigert et al.	7,798,917 B2	9/2010	Nguyen et al.
D508,099 S	8/2005	Schweigert et al.	7,815,521 B2	10/2010	Ban et al.
D508,545 S	8/2005	Roberts et al.	D627,409 S	11/2010	Schweigert et al.
6,923,733 B2	8/2005	Cheri	D627,410 S	11/2010	Nicolette et al.
D514,183 S	1/2006	Schweigert et al.	7,846,040 B2	12/2010	Ban
D516,650 S *	3/2006	Wolfe ..... D21/747	D633,159 S	2/2011	Holt
D518,863 S	4/2006	Motoyoshi et al.	D633,967 S	3/2011	Carlyle et al.
D523,501 S	6/2006	Nicolette et al.	D635,627 S	4/2011	Nicolette
D523,917 S	6/2006	Wolfe et al.	7,938,738 B2	5/2011	Roach
D524,889 S	7/2006	Yu et al.	D642,642 S	8/2011	Jertson et al.
D530,759 S	10/2006	Nicolette et al.	D643,488 S	8/2011	Holt
D530,760 S	10/2006	Schweigert et al.	D643,490 S	8/2011	Wada et al.
7,121,956 B2 *	10/2006	Lo ..... A63B 53/04 473/335	D643,491 S	8/2011	Stokke et al.
7,128,663 B2	10/2006	Bamber	D643,492 S	8/2011	Nicolette et al.
D532,849 S	11/2006	Nicolette et al.	D643,895 S	8/2011	Wieland
D534,228 S	12/2006	Nicolette et al.	D643,896 S	8/2011	Jertson et al.
D534,595 S *	1/2007	Hasebe ..... D21/747	D647,582 S	10/2011	Nicolette et al.
D534,597 S	1/2007	Nicolette et al.	D649,211 S	11/2011	Jertson et al.
7,156,751 B2	1/2007	Wahl et al.	8,062,150 B2	11/2011	Gilbert et al.
D536,759 S	2/2007	Schweigert et al.	D651,268 S	12/2011	Nicolette et al.
D537,494 S	2/2007	Jertson et al.	8,088,025 B2	1/2012	Wahl et al.
7,182,698 B2	2/2007	Tseng	8,092,319 B1	1/2012	Cackett et al.
D538,366 S	3/2007	Nicolette et al.	8,105,180 B1	1/2012	Cackett et al.
D539,864 S	4/2007	Nicolette et al.	8,142,307 B2	3/2012	Sanchez et al.
D540,898 S	4/2007	Solheim et al.	D658,248 S	4/2012	Nunez et al.
D541,360 S	4/2007	Schweigert et al.	8,221,262 B1	7/2012	Cackett et al.
7,207,900 B2	4/2007	Nicolette et al.	8,246,487 B1	8/2012	Cackett et al.
D543,601 S *	5/2007	Kawami ..... D21/759	D670,775 S	11/2012	Jertson et al.
D544,056 S	6/2007	Nicolette et al.	D672,417 S	12/2012	Jertson et al.
D547,410 S	7/2007	Nicolette et al.	8,328,662 B2	12/2012	Nakamura et al.
D555,219 S *	11/2007	Lin ..... D21/759	D673,633 S	1/2013	Jertson et al.
7,303,486 B2	12/2007	Imamoto	D673,634 S	1/2013	Jertson et al.
D559,932 S	1/2008	Belmont	8,376,878 B2	2/2013	Bennett et al.
D561,855 S	2/2008	Schweigert et al.	D680,603 S	4/2013	Nicolette et al.
D562,925 S	2/2008	Schweigert et al.	D681,142 S	4/2013	Fossum et al.
7,351,164 B2	4/2008	Schweigert et al.	D681,143 S	4/2013	Nicolette et al.
D570,435 S	6/2008	Sanchez et al.	8,414,422 B2	4/2013	Peralta et al.
D570,935 S	6/2008	Nicolette et al.	8,506,420 B2	8/2013	Hocknell et al.
D570,936 S	6/2008	Schweigert et al.	8,545,343 B2	10/2013	Boyd et al.
D570,942 S	6/2008	Chen et al.	8,574,094 B2	11/2013	Nicolette et al.
D571,422 S	6/2008	Schweigert et al.	8,657,700 B2	2/2014	Nicolette et al.
D571,425 S	6/2008	Chen et al.	8,663,026 B2	3/2014	Blowers et al.
D571,427 S	6/2008	Schweigert et al.	8,690,710 B2	4/2014	Nicolette et al.
D571,881 S	6/2008	Nicolette et al.	D707,316 S	6/2014	Aguayo et al.
D572,326 S	7/2008	Schweigert et al.	D707,317 S	6/2014	Aguayo et al.
D572,329 S	7/2008	Nicolette et al.	8,753,230 B2	6/2014	Stokke et al.
D573,219 S	7/2008	Schweigert et al.	D708,688 S	7/2014	Nicolette et al.
7,396,299 B2	7/2008	Nicolette et al.	8,827,832 B2	9/2014	Breier et al.
7,413,518 B2	8/2008	Cole et al.	8,827,833 B2	9/2014	Amano et al.
D577,783 S	9/2008	Schweigert et al.	8,845,455 B2	9/2014	Ban et al.
D578,590 S	10/2008	Schweigert et al.	D716,387 S	10/2014	Aguayo et al.
D581,000 S	11/2008	Nicolette et al.	D716,388 S	10/2014	Aguayo et al.
D581,004 S	11/2008	Schweigert et al.	D722,352 S *	2/2015	Nicolette ..... D21/747
D584,370 S	1/2009	Cleveland et al.	D723,120 S *	2/2015	Nicolette ..... D21/747
D594,518 S	6/2009	Schweigert	8,961,336 B1 *	2/2015	Parsons ..... A63B 53/0475 473/332
D596,256 S	7/2009	Schweigert et al.			

D726,265	S *	4/2015	Nicolette .....	D21/747
9,199,143	B1	12/2015	Parsons et al.	
D746,926	S *	1/2016	Parsons .....	D21/747
D748,214	S *	1/2016	Nicolette .....	D21/747
D746,749	S	2/2016	Nicolette et al.	
D748,749	S *	2/2016	Nicolette .....	D21/759
D751,660	S *	3/2016	Greenlaw .....	D21/759
D756,471	S *	5/2016	Nicolette .....	D21/747
D764,610	S *	8/2016	Parsons .....	D21/747
9,421,437	B2	8/2016	Parsons et al.	
9,427,634	B2	8/2016	Parsons et al.	
D767,057	S *	9/2016	Mickelson .....	D21/747
D773,575	S *	12/2016	Nicolette .....	D21/747
D795,979	S *	8/2017	Parsons .....	D21/759
D802,068	S *	11/2017	Parsons .....	D21/747
2002/0107087	A1	8/2002	Fagot	
2003/0139226	A1*	7/2003	Cheng .....	A63B 53/04 473/334
2003/0176231	A1	9/2003	Hasebe	
2004/0204263	A1	10/2004	Fagot et al.	
2005/0009632	A1	1/2005	Schweigert et al.	
2005/0014573	A1	1/2005	Lee	
2005/0096148	A1	5/2005	Noble et al.	
2005/0119066	A1	6/2005	Stites et al.	
2005/0239569	A1	10/2005	Best et al.	
2005/0277485	A1*	12/2005	Hou .....	A63B 53/047 473/332
2006/0111200	A1	5/2006	Poynor	
2007/0032308	A1	2/2007	Fagot et al.	
2007/0225084	A1	9/2007	Schweigert et al.	
2008/0058113	A1	3/2008	Nicolette et al.	
2008/0188322	A1	8/2008	Anderson et al.	
2008/0300065	A1	12/2008	Schweigert	
2009/0029790	A1	1/2009	Nicolette et al.	
2010/0130306	A1	5/2010	Schweigert	
2010/0178999	A1	7/2010	Nicolette et al.	
2011/0111883	A1	5/2011	Cackett	
2011/0165963	A1	7/2011	Cackett et al.	
2011/0269567	A1	11/2011	Ban et al.	
2011/0294596	A1	12/2011	Ban	
2013/0137532	A1*	5/2013	Deshmukh .....	B21K 17/00 473/349
2013/0225319	A1	8/2013	Kato	
2013/0281226	A1	10/2013	Ban	
2013/0288623	A1	10/2013	Hebreo	
2013/0288823	A1*	10/2013	Hebreo .....	B21K 17/00 473/349
2013/0303303	A1	11/2013	Ban	
2013/0310192	A1	11/2013	Wahl et al.	
2014/0080621	A1	3/2014	Nicolette et al.	
2014/0128175	A1	5/2014	Jertson et al.	
2014/0274441	A1	9/2014	Greer	
2014/0274451	A1	9/2014	Knight et al.	
2015/0231454	A1*	8/2015	Parsons .....	A63B 53/0475 473/335
2015/0231806	A1*	8/2015	Parsons .....	B29C 45/14467 264/261

OTHER PUBLICATIONS

International Search Report and Written Opinion issued in connection with corresponding application No. PCT/US2015/016666, dated May 14, 2015 (8 pages).  
Kozuchowski, Zak, “Callaway Mack Daddy 2 PM Grind Wedges” (<http://www.golfwrx.com/276203/callaway-mack-daddy-2-pm-grind-wedges/>), www.golfwrx.com, GoifWRX Holdings, LLC, published Jan. 21, 2015.

Wall, Jonathan, “Details: Phil’s Prototype Mack Daddy PM-Grind Wedge,” (<http://www.pgatour.com/equipmentreport/2015/01/21/callaway-wedge.html>), www.pgatour.com, PGA Tour, Inc., published Jan. 21, 2015.

\* cited by examiner

Primary Examiner — Mitchell I. Siegel  
(74) Attorney, Agent, or Firm — Loeb & Loeb LLP

(57) CLAIM

The ornamental design for a golf club head, as shown and described.

DESCRIPTION

FIG. 1 is a top perspective view of a golf club head;  
FIG. 2 is a rear perspective view of the golf club head of FIG. 1;  
FIG. 3 is a front elevational view of the golf club head of FIG. 1;  
FIG. 4 is a rear elevational view of the golf club head of FIG. 1;  
FIG. 5 is a top view of the golf club head of FIG. 1;  
FIG. 6 is a bottom view of the golf club head of FIG. 1;  
FIG. 7 is a left side view of the golf club head of FIG. 1;  
FIG. 8 is a right side view of the golf club head of FIG. 1;  
FIG. 9 is a top perspective view of a second embodiment of a golf club head;  
FIG. 10 is a rear perspective view of the golf club head of FIG. 9;  
FIG. 11 is a front elevational view of the golf club head of FIG. 9;  
FIG. 12 is a rear elevational view of the golf club head of FIG. 9;  
FIG. 13 is a top view of the golf club head of FIG. 9;  
FIG. 14 is a bottom view of the golf club head of FIG. 9;  
FIG. 15 is a left side view of the golf club head of FIG. 9;  
FIG. 16 is a right side view of the golf club head of FIG. 9;  
FIG. 17 is a top perspective view of a third embodiment of a golf club head;  
FIG. 18 is a rear perspective view of the golf club head of FIG. 17;  
FIG. 19 is a front elevational view of the golf club head of FIG. 17;  
FIG. 20 is a rear elevational view of the golf club head of FIG. 17;  
FIG. 21 is a top view of the golf club head of FIG. 17;  
FIG. 22 is a bottom view of the golf club head of FIG. 17;  
FIG. 23 is a left side view of the golf club head of FIG. 17;  
and,  
FIG. 24 is a right side view of the golf club head of FIG. 17.  
The broken lines are included for the purpose of illustration only. None of the broken lines forms part of the claimed design.

1 Claim, 24 Drawing Sheets

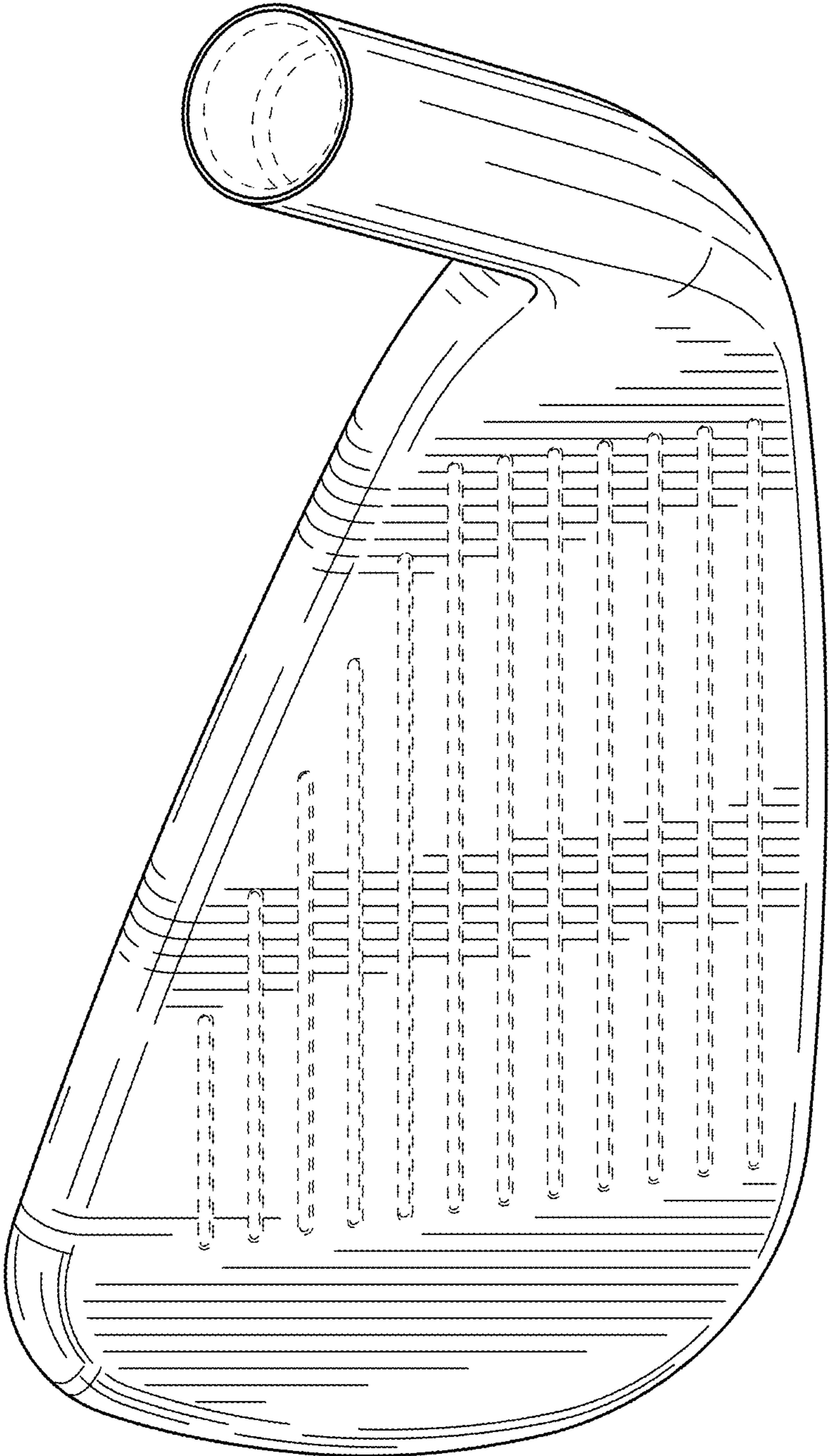


FIG. 1

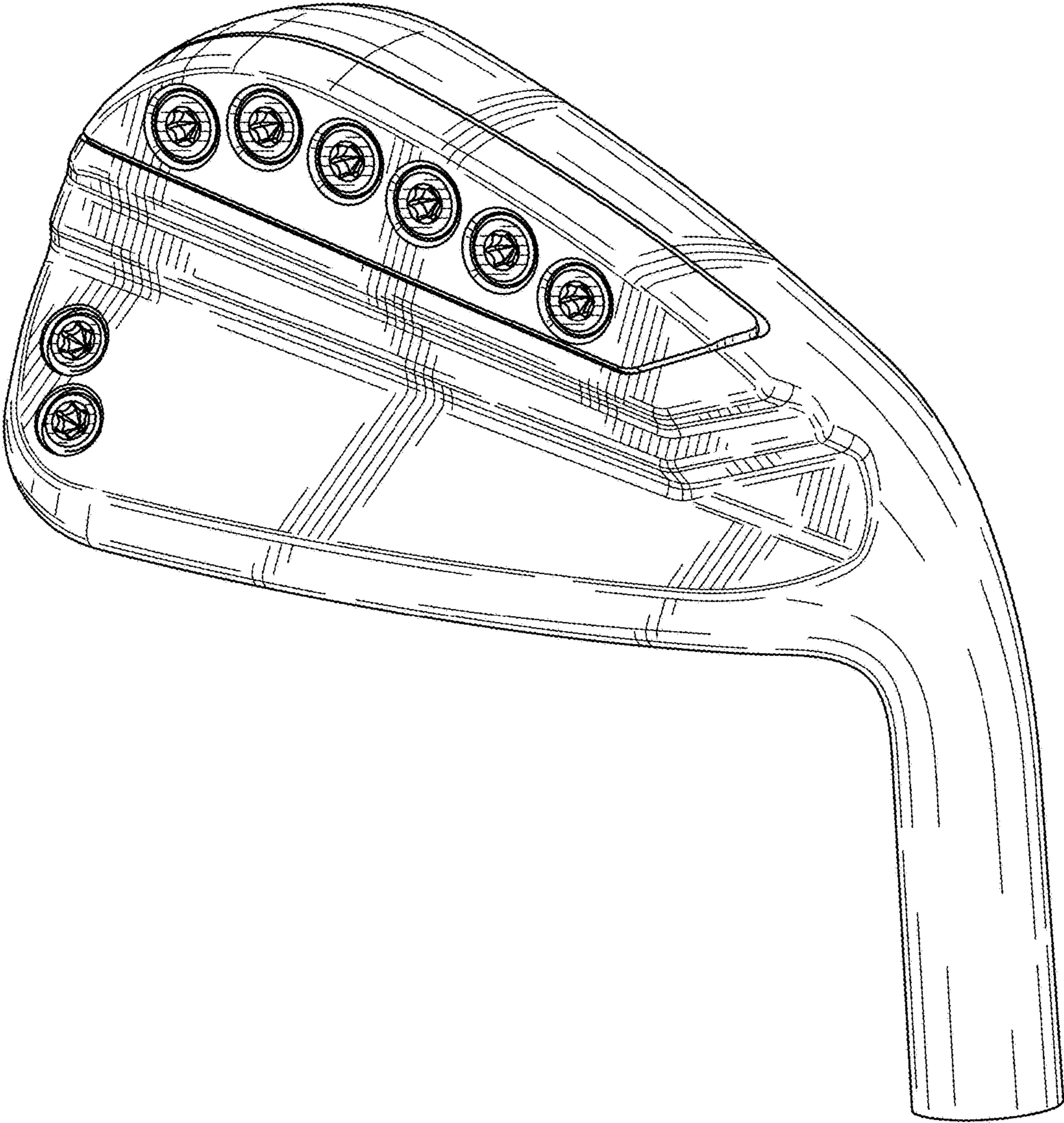


FIG. 2

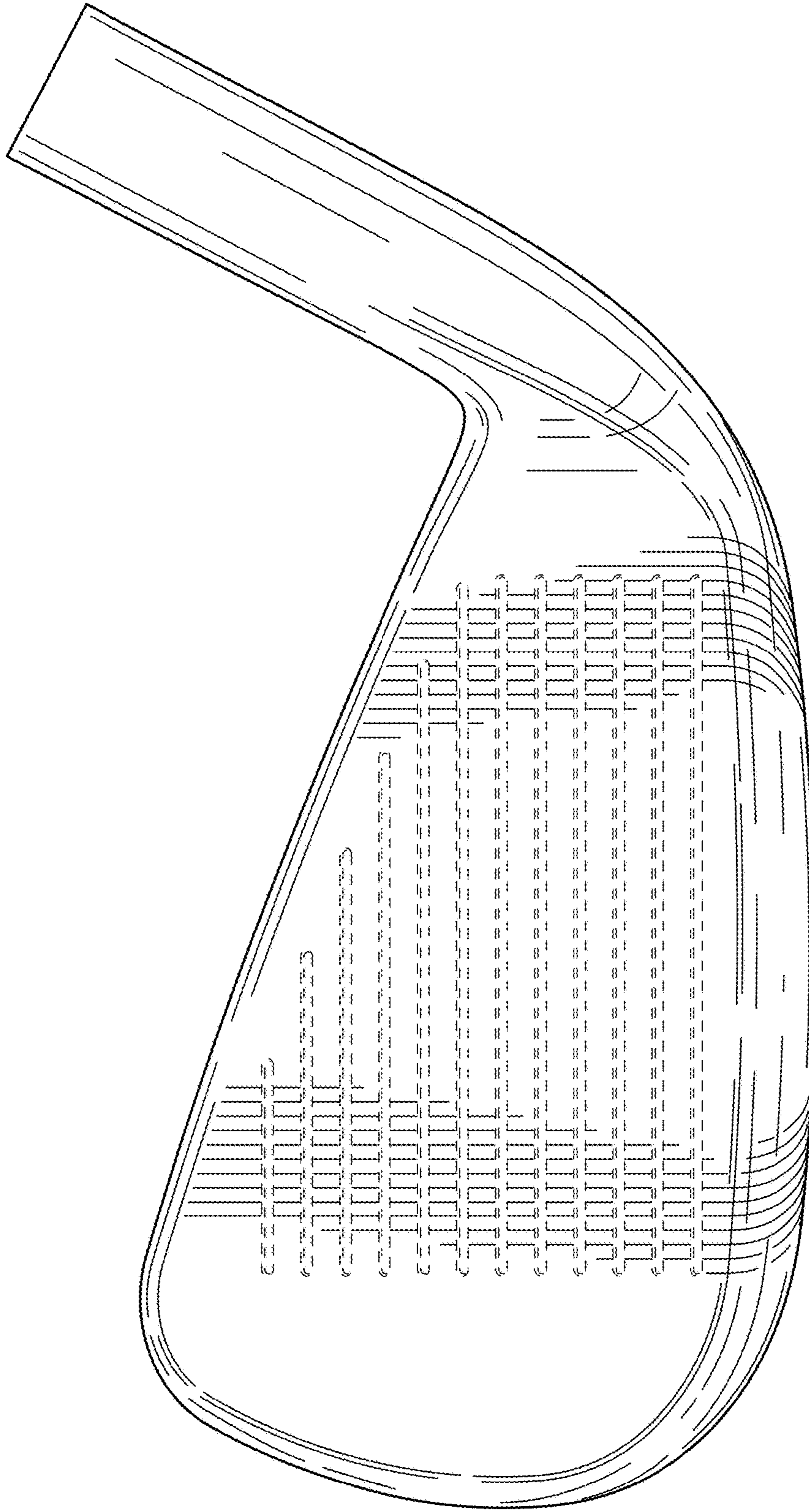


FIG. 3

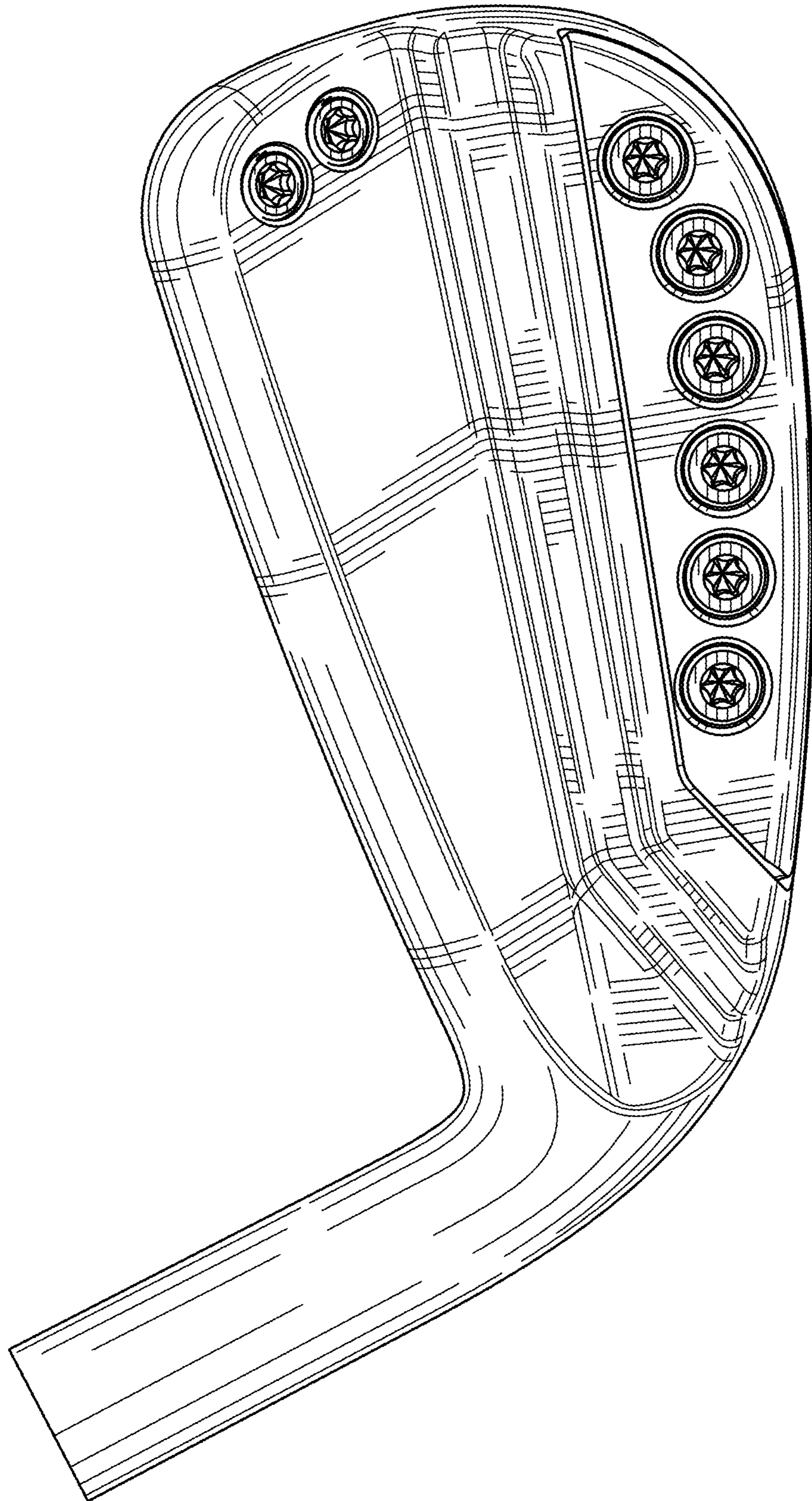


FIG. 4

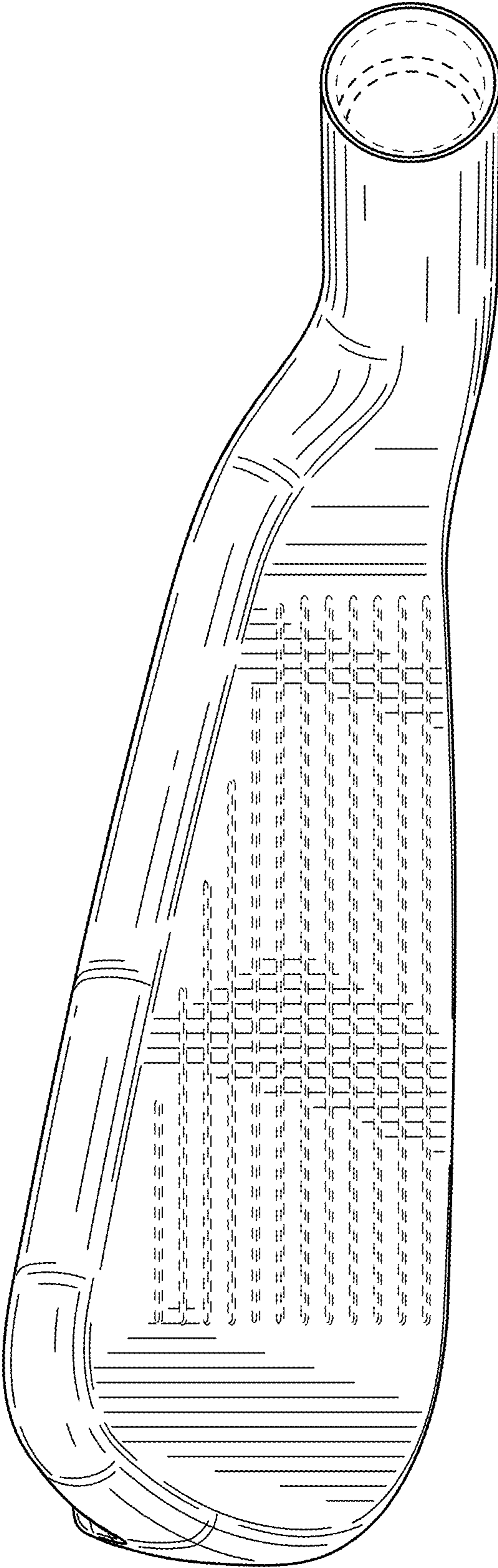


FIG. 5



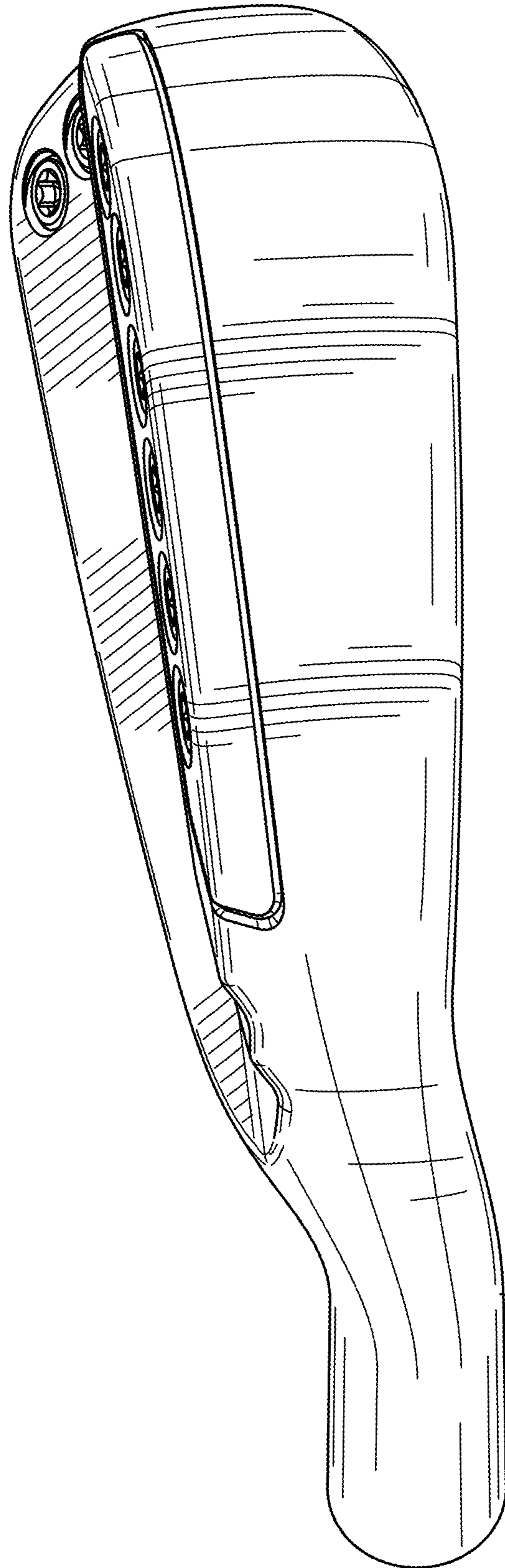


FIG. 6

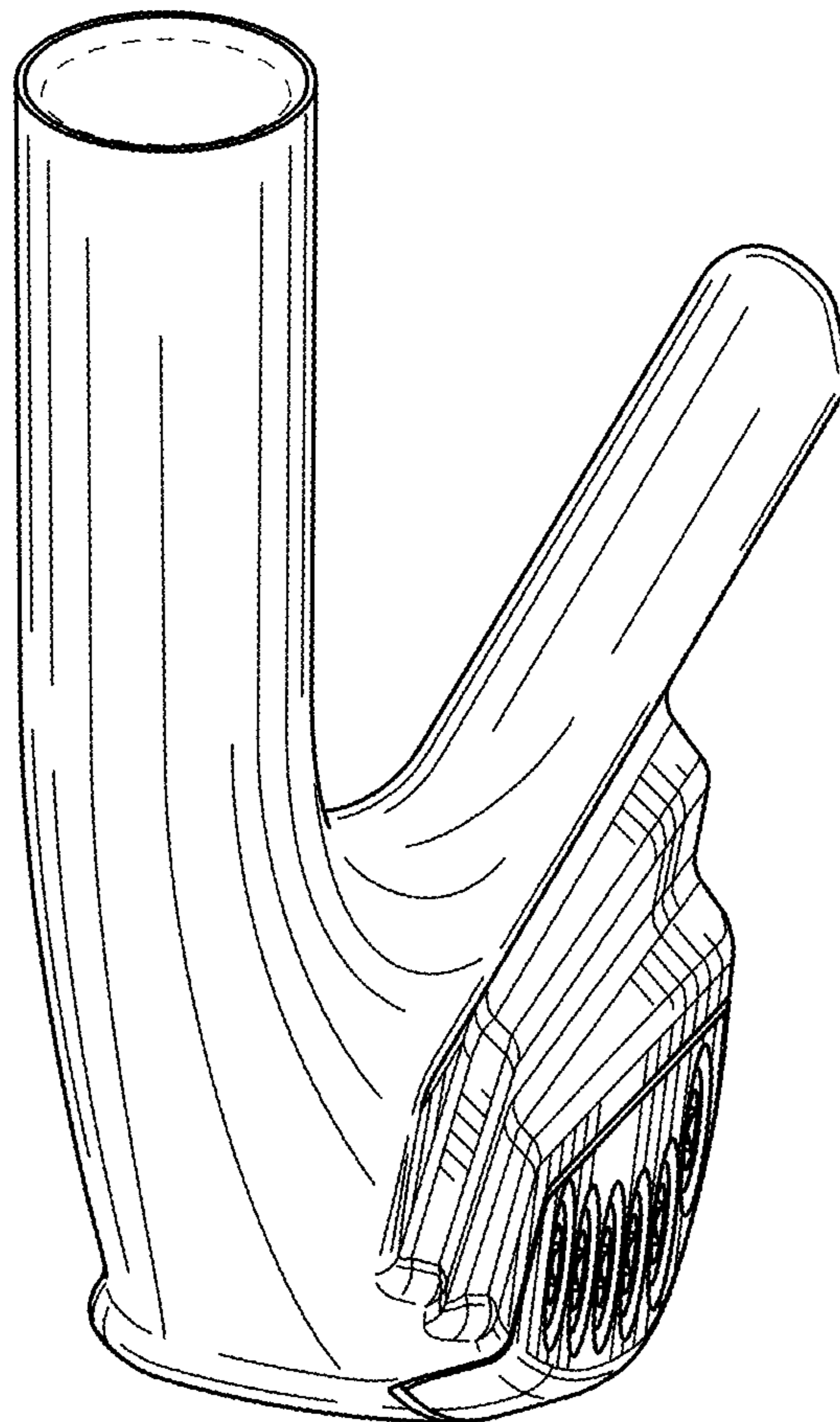


FIG. 7

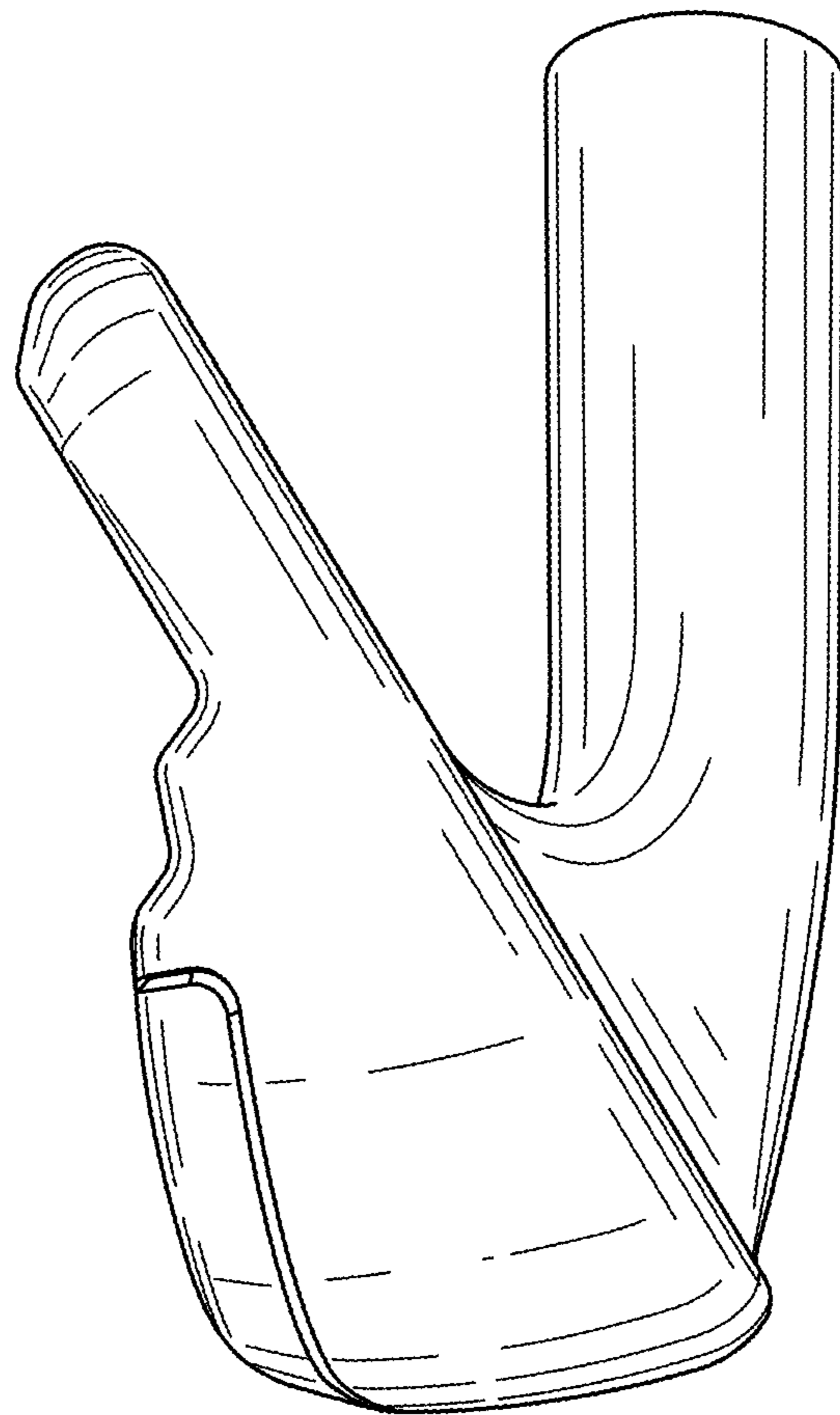


FIG. 8

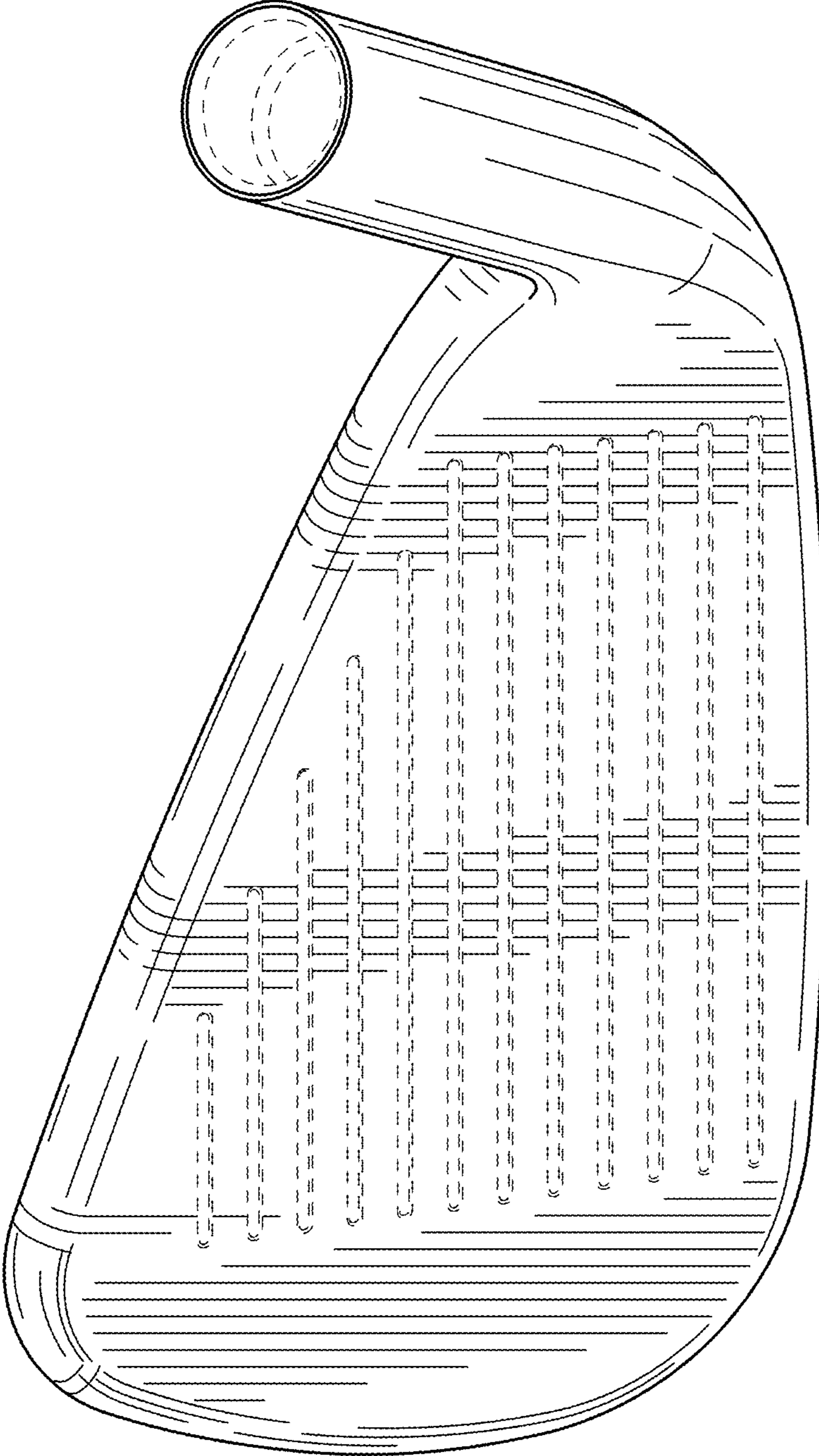


FIG. 9

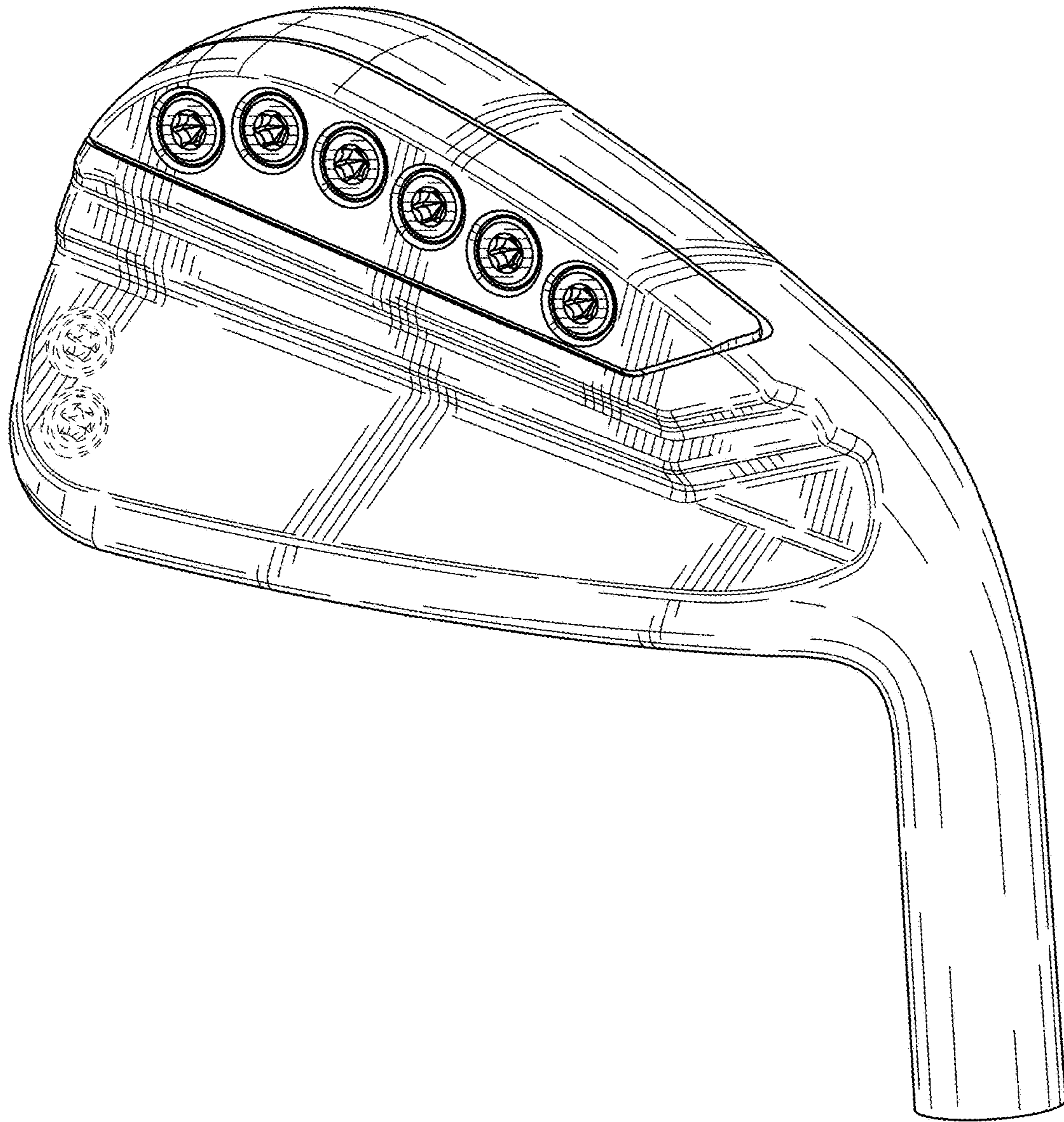


FIG. 10

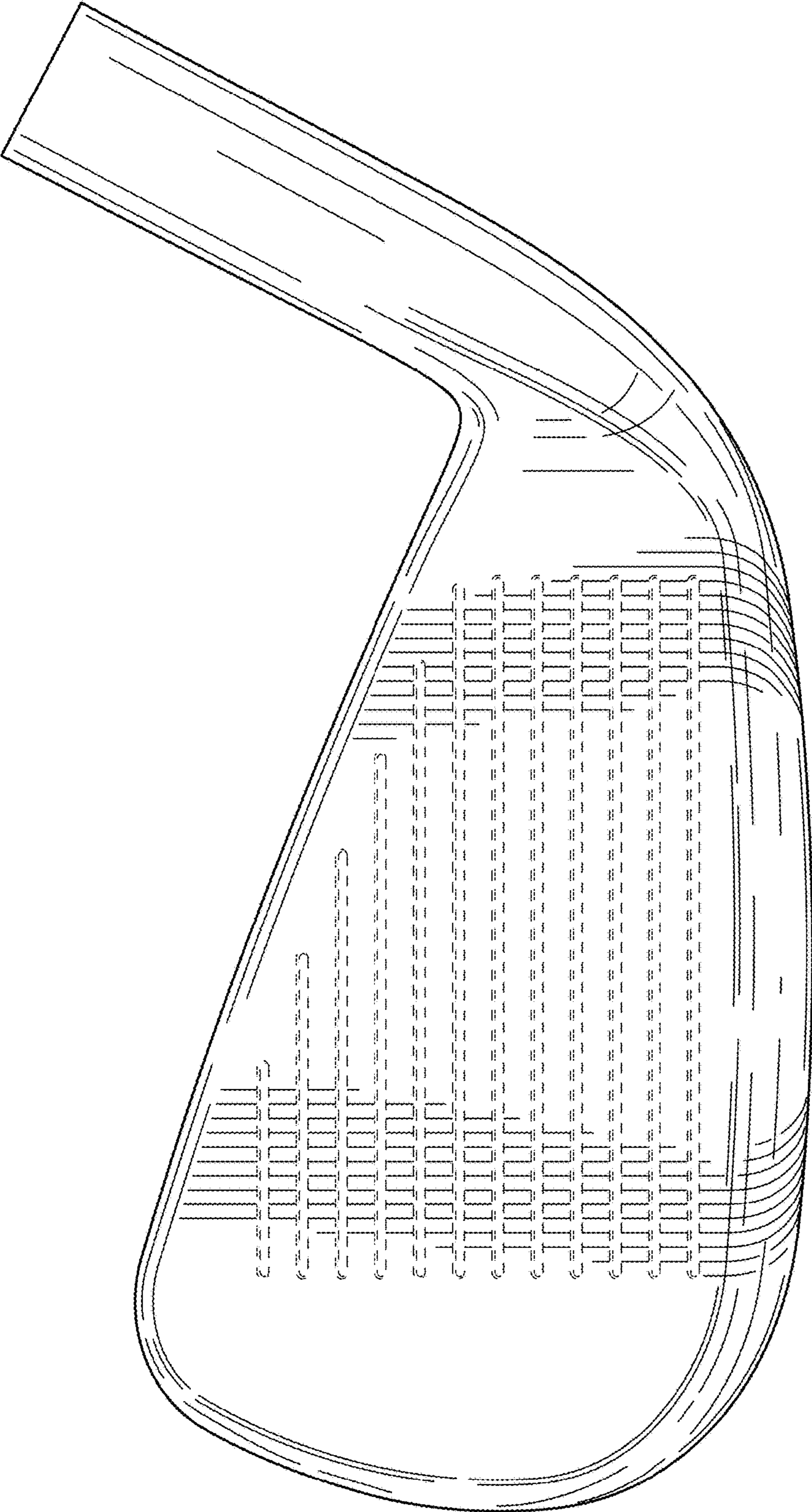


FIG. 11

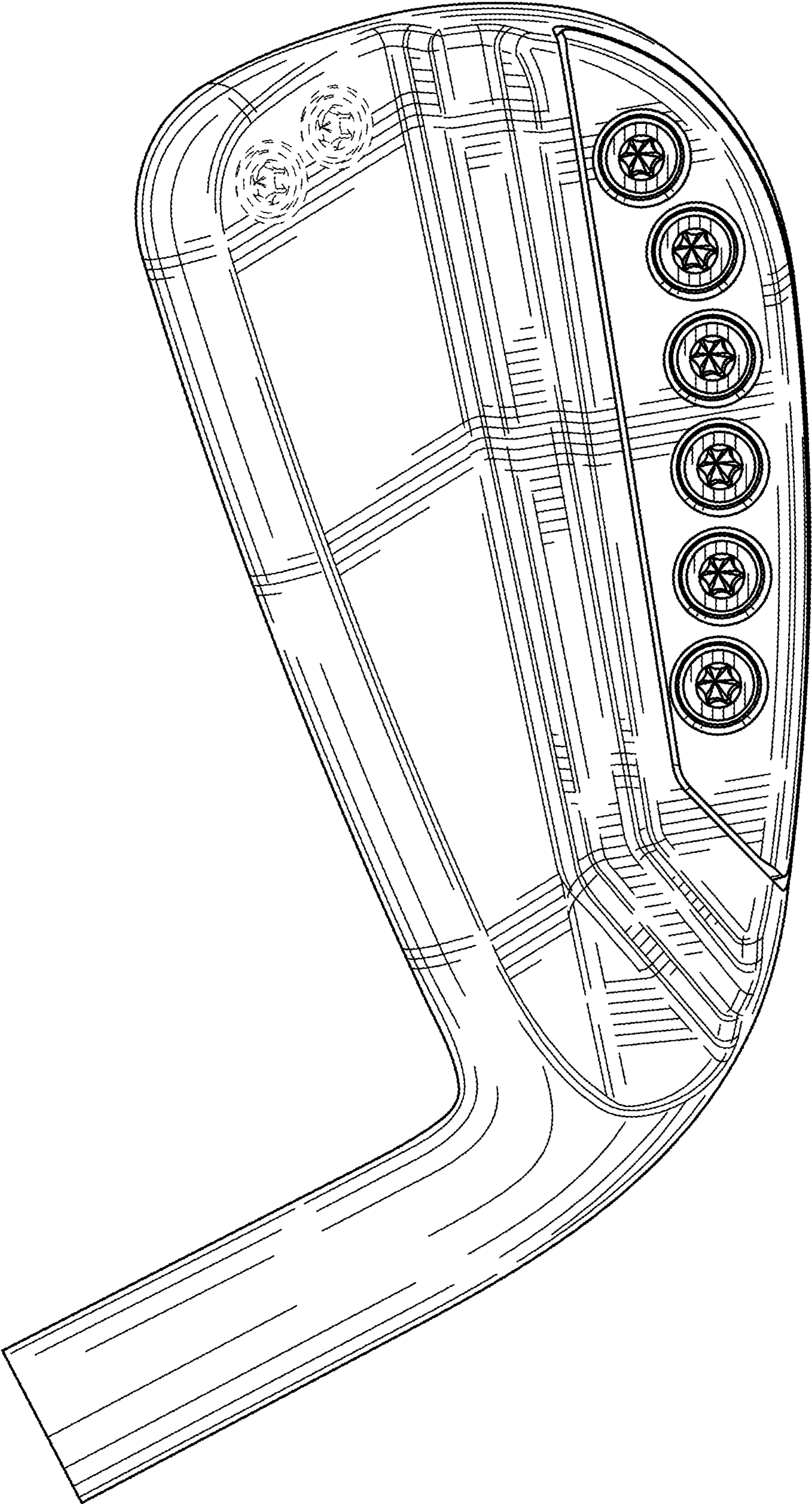


FIG. 12

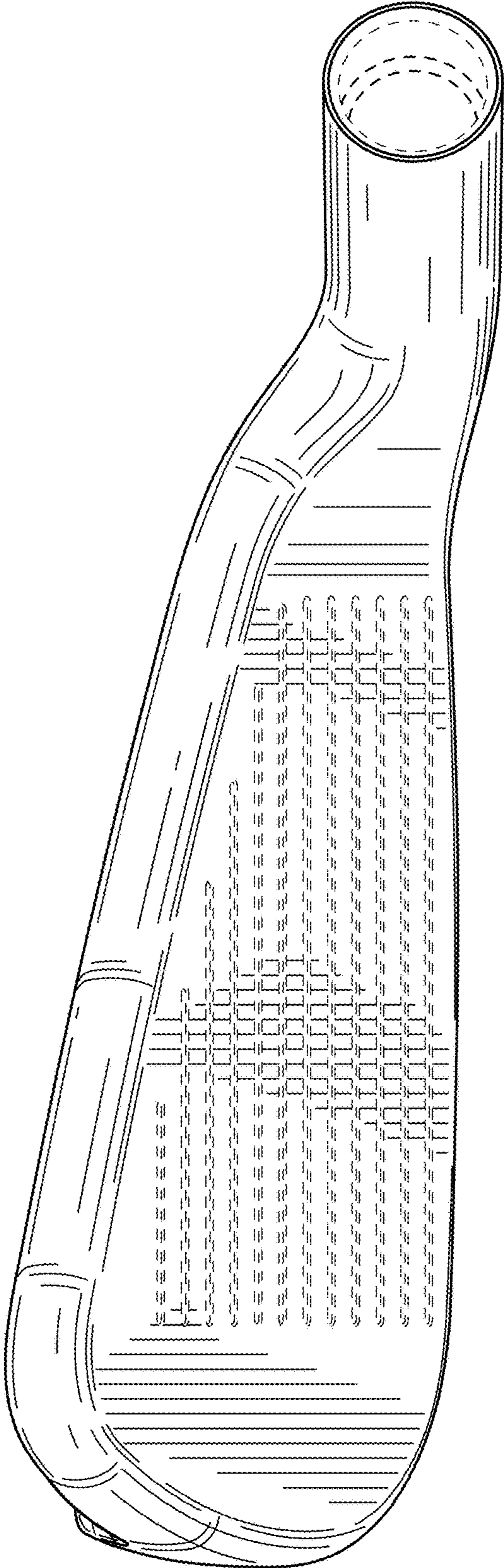


FIG. 13



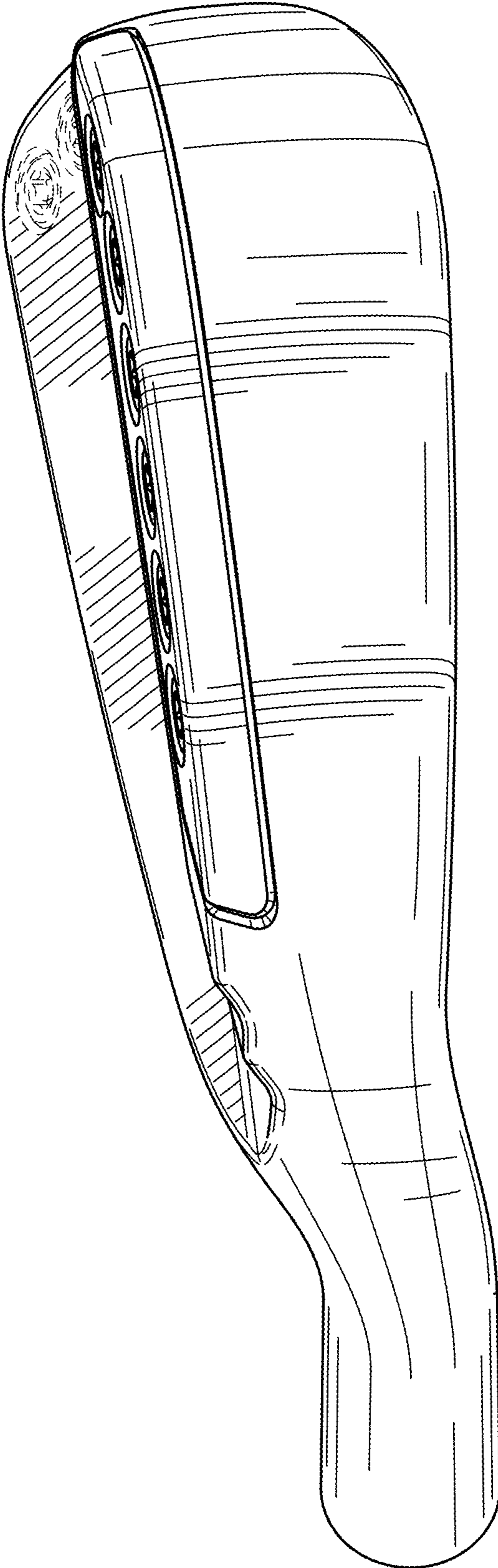


FIG. 14

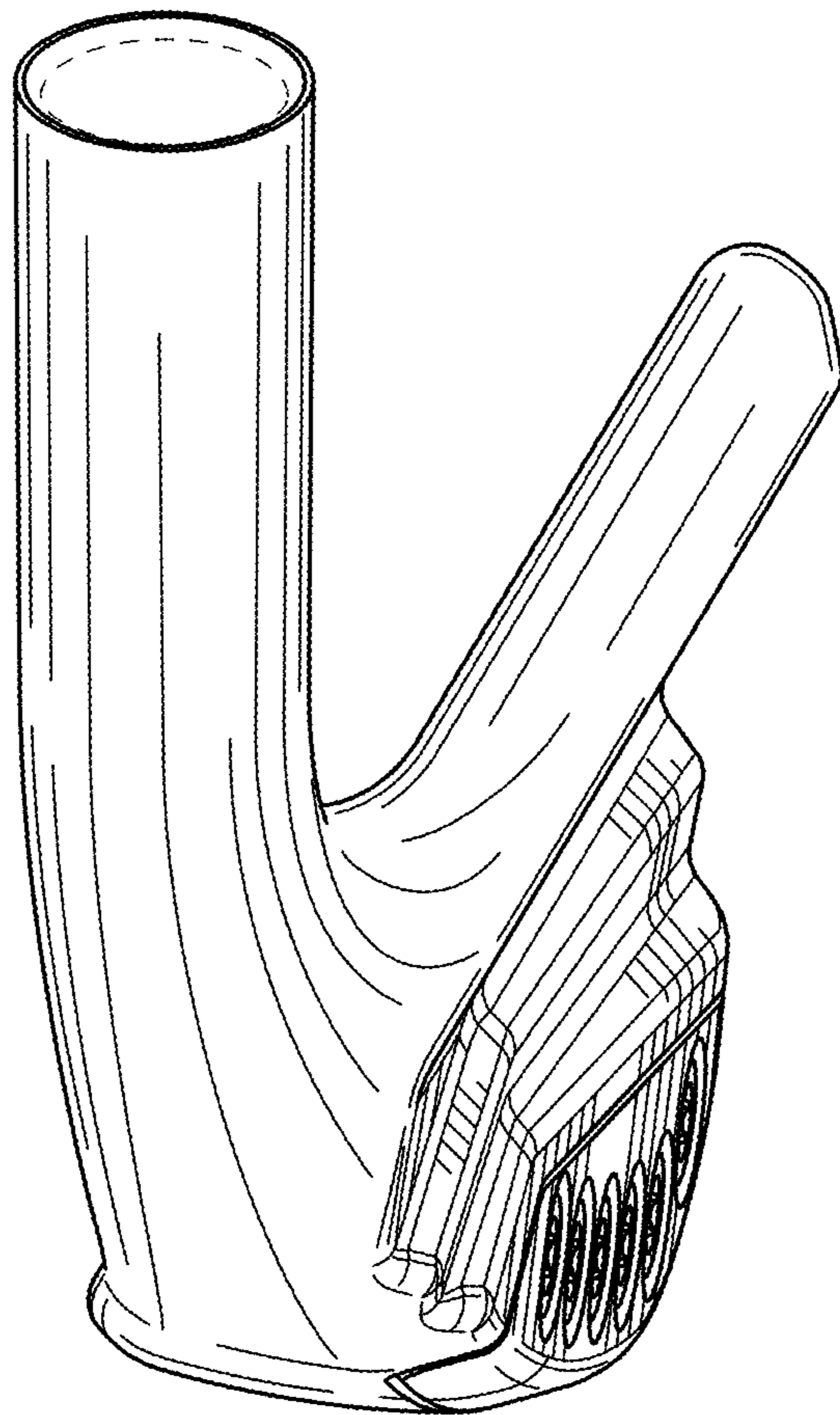


FIG. 15

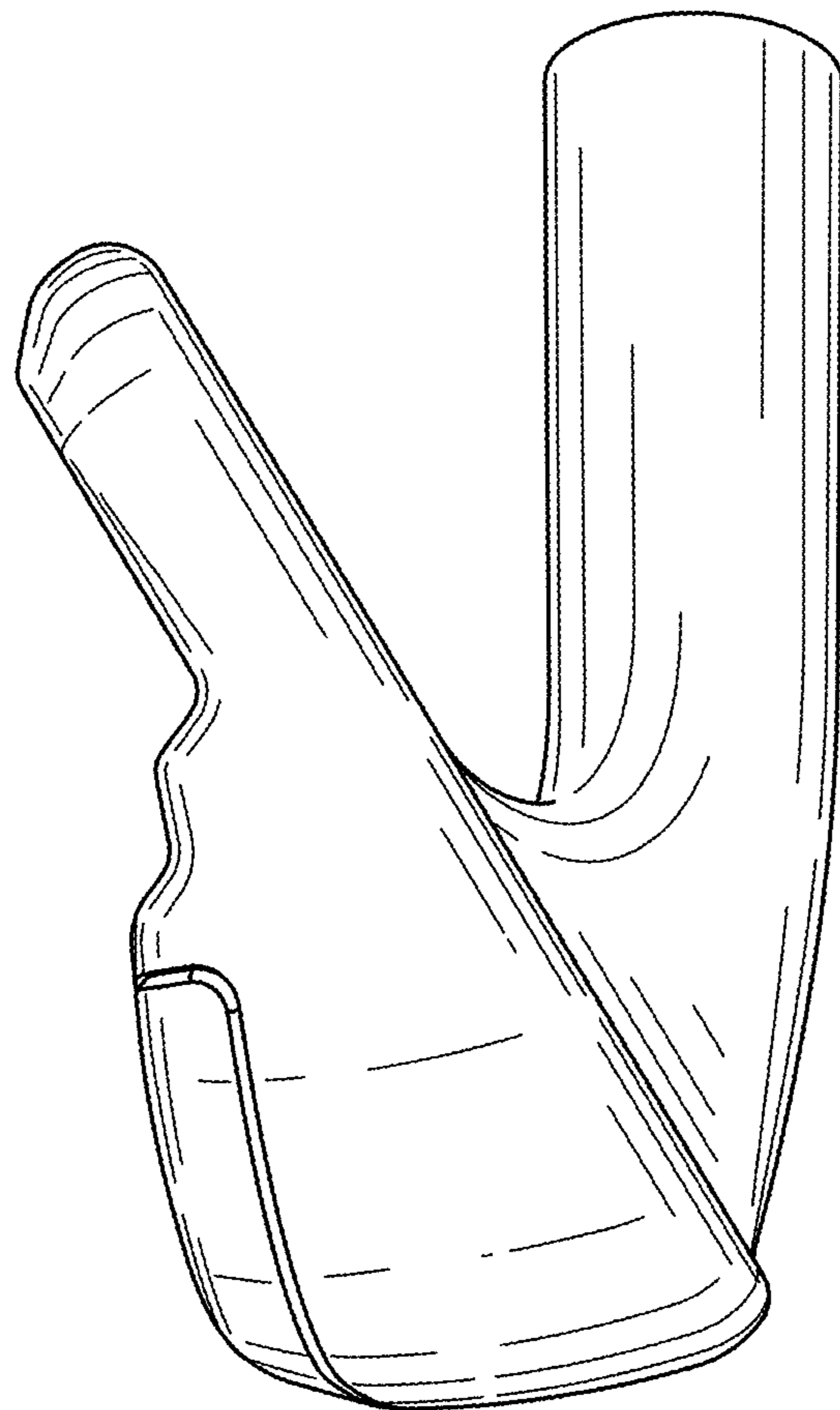


FIG. 16

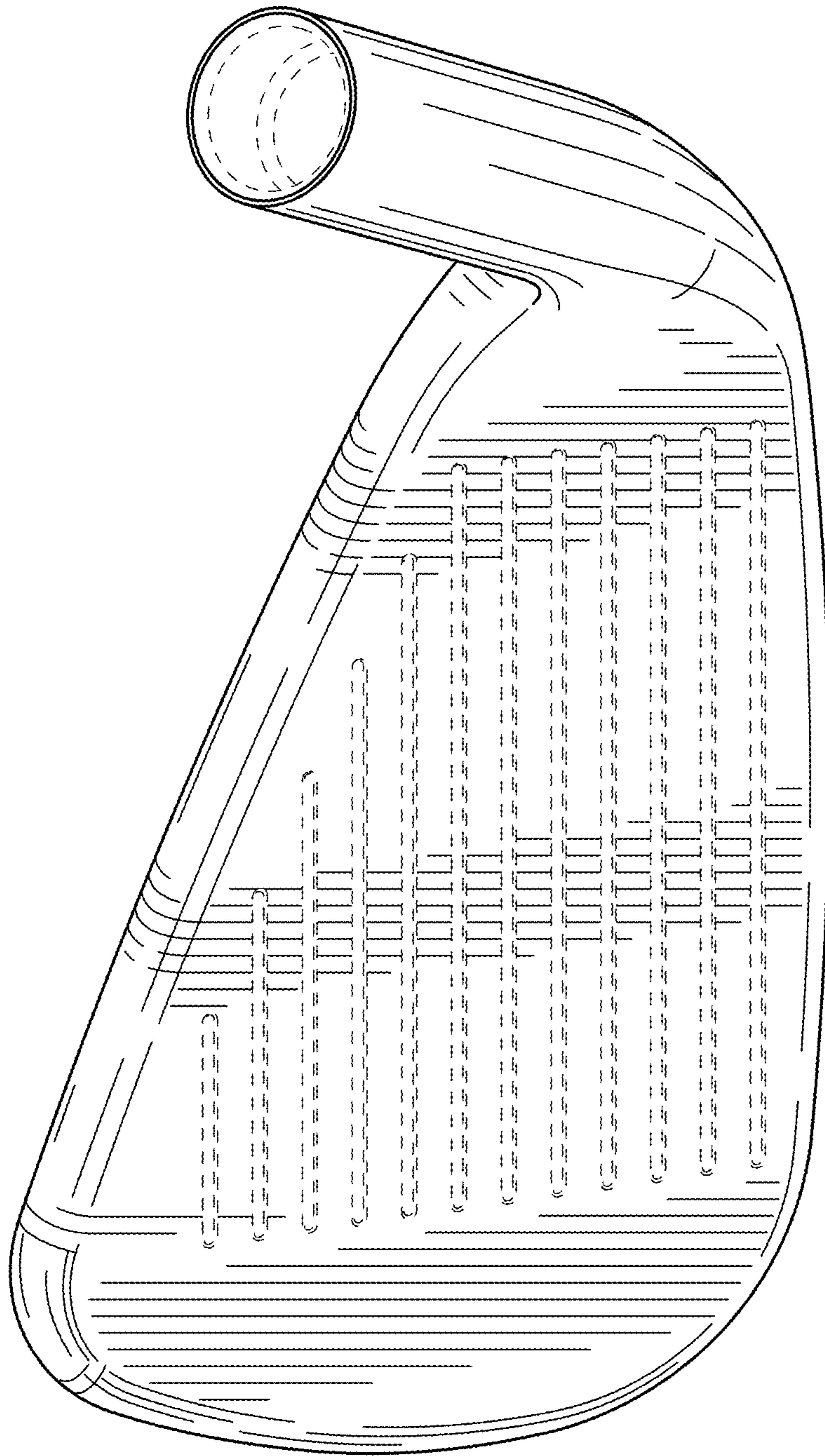


FIG. 17

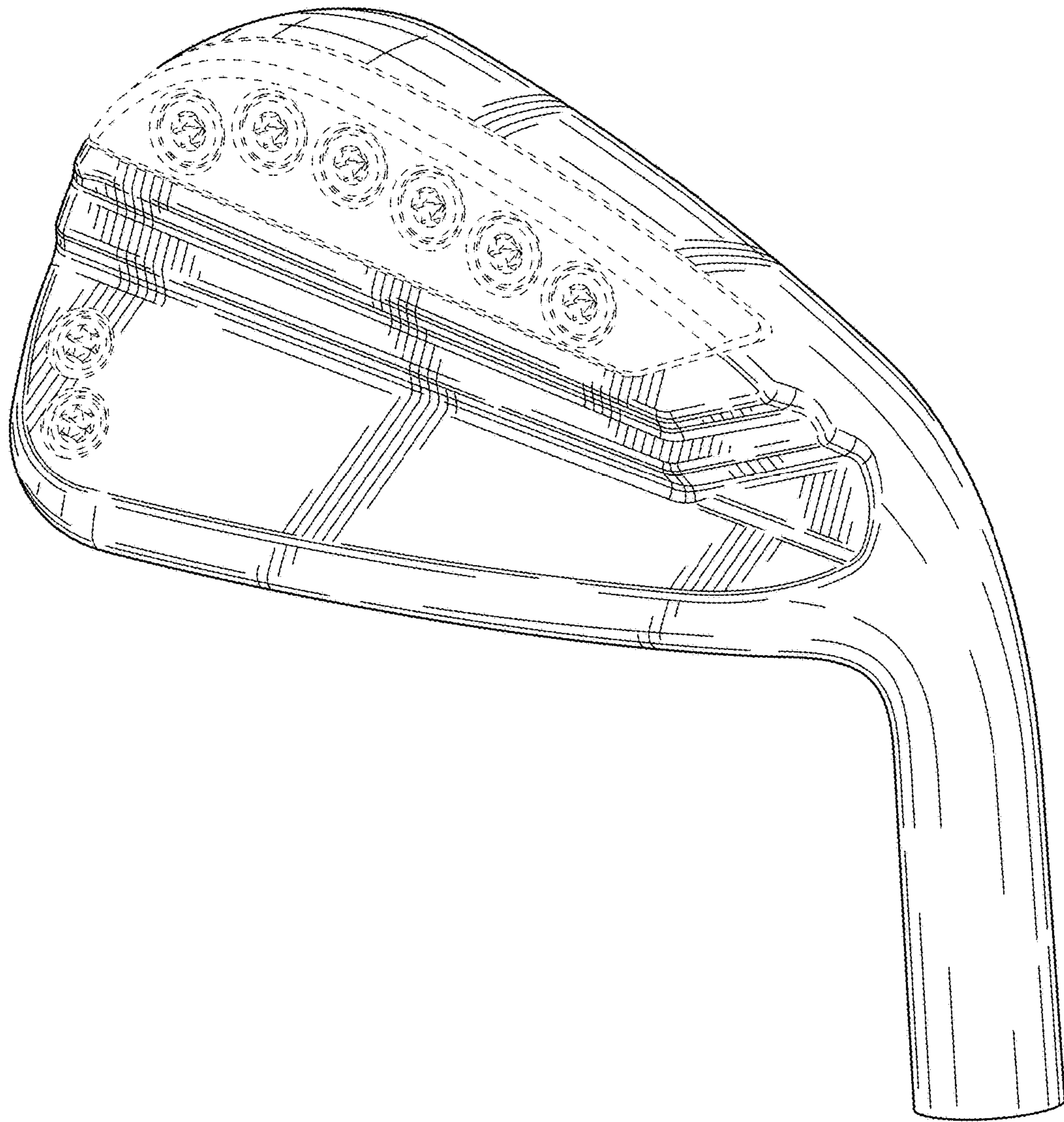


FIG. 18

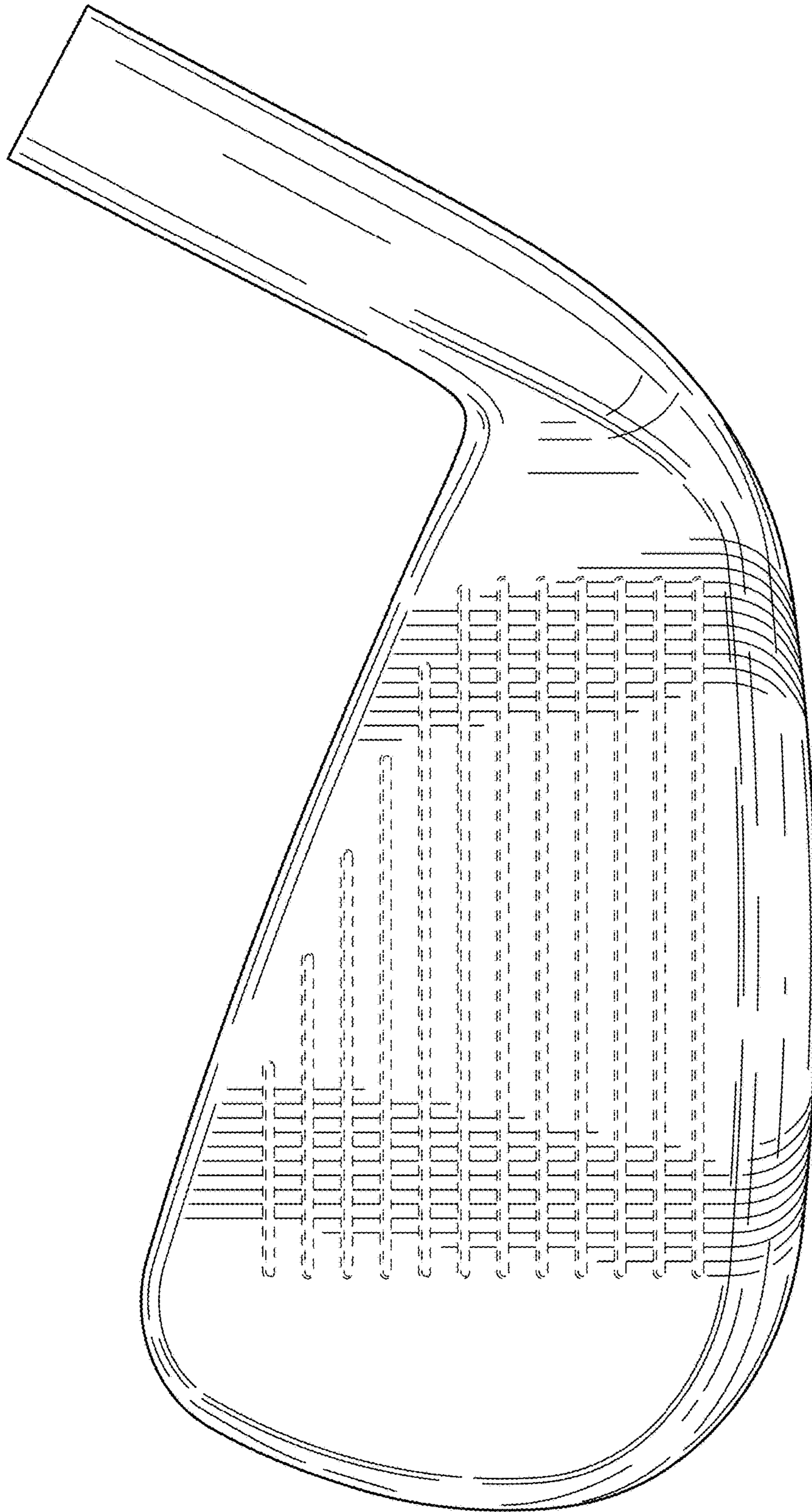


FIG. 19

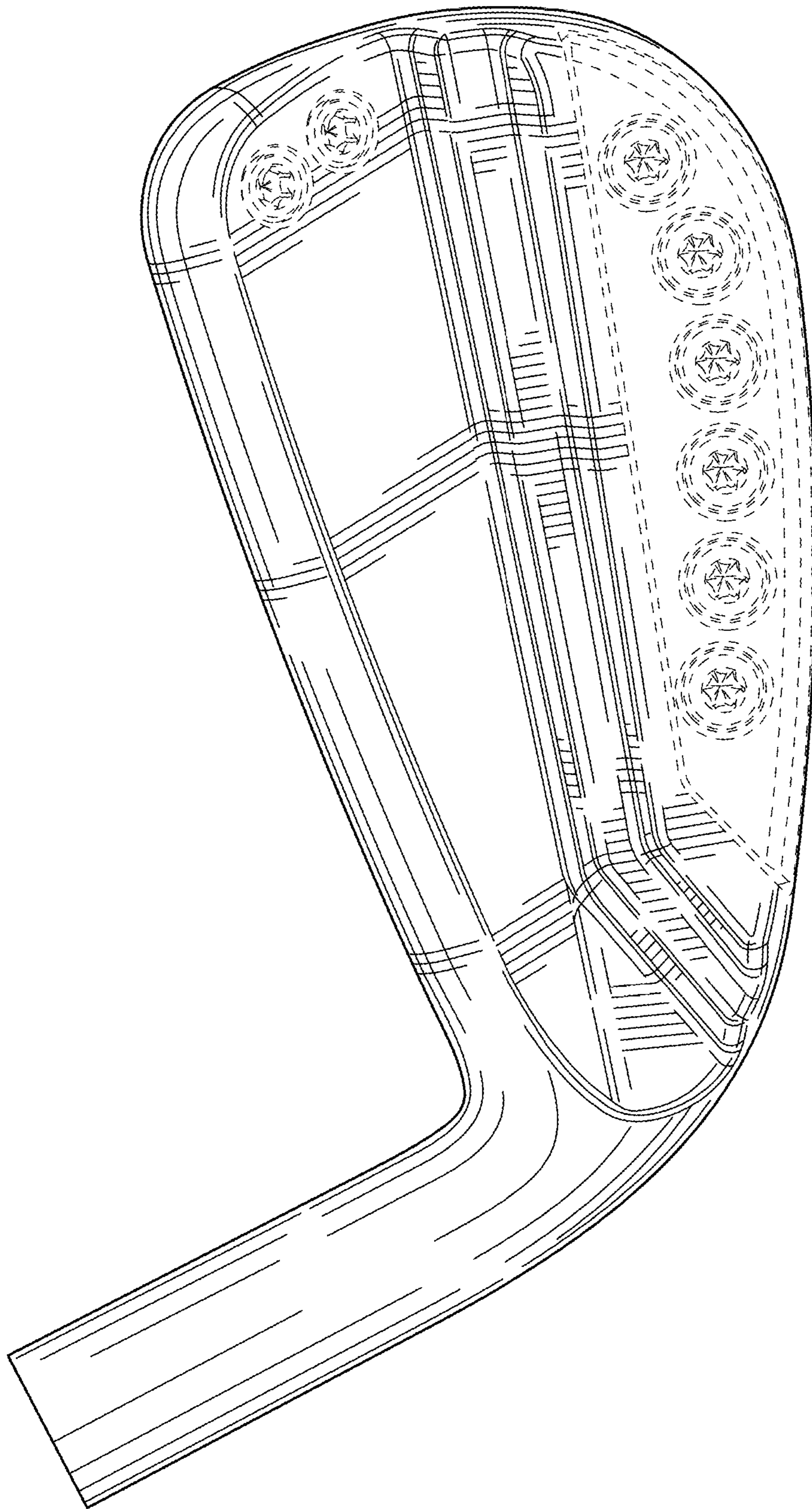


FIG. 20

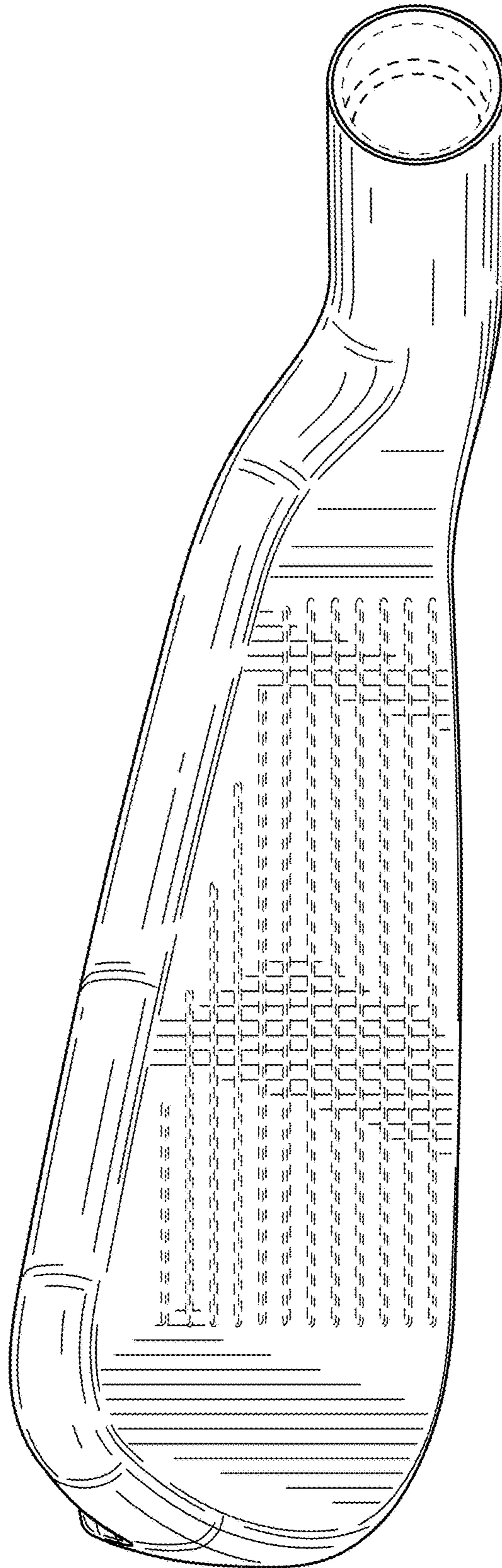


FIG. 21



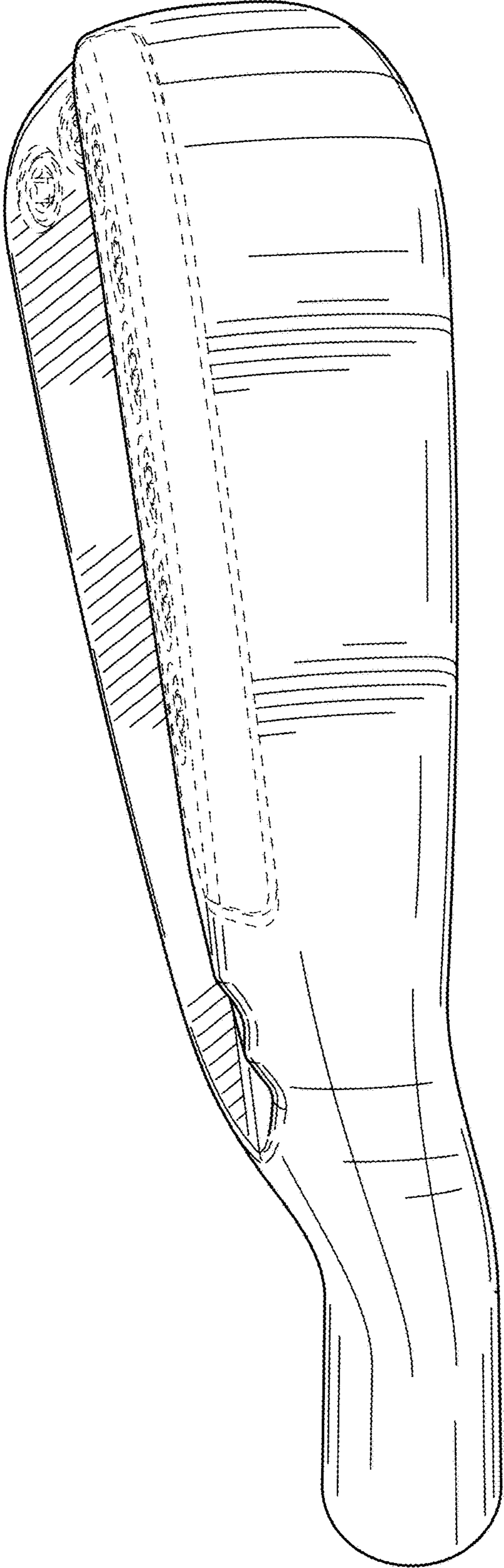


FIG. 22

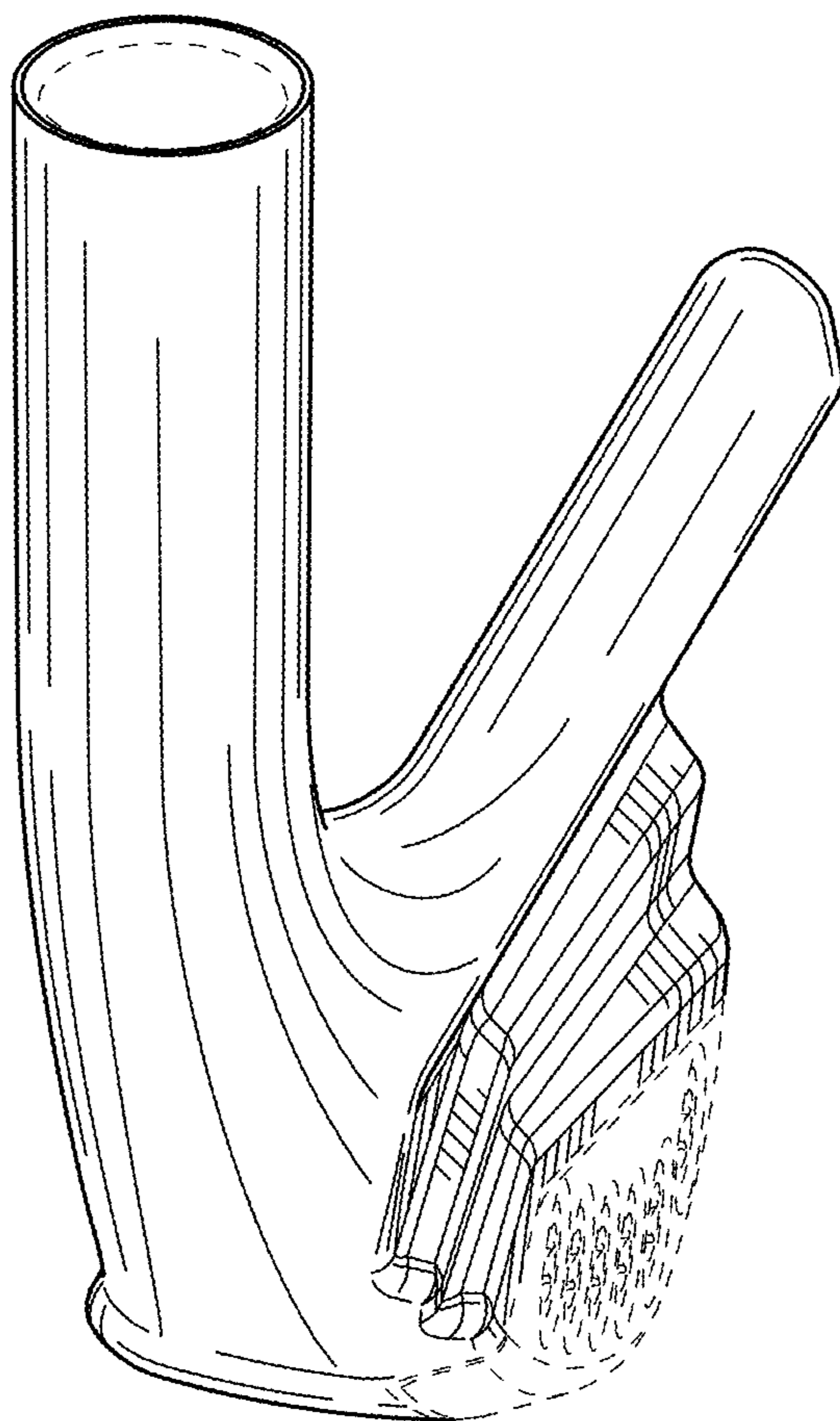


FIG. 23

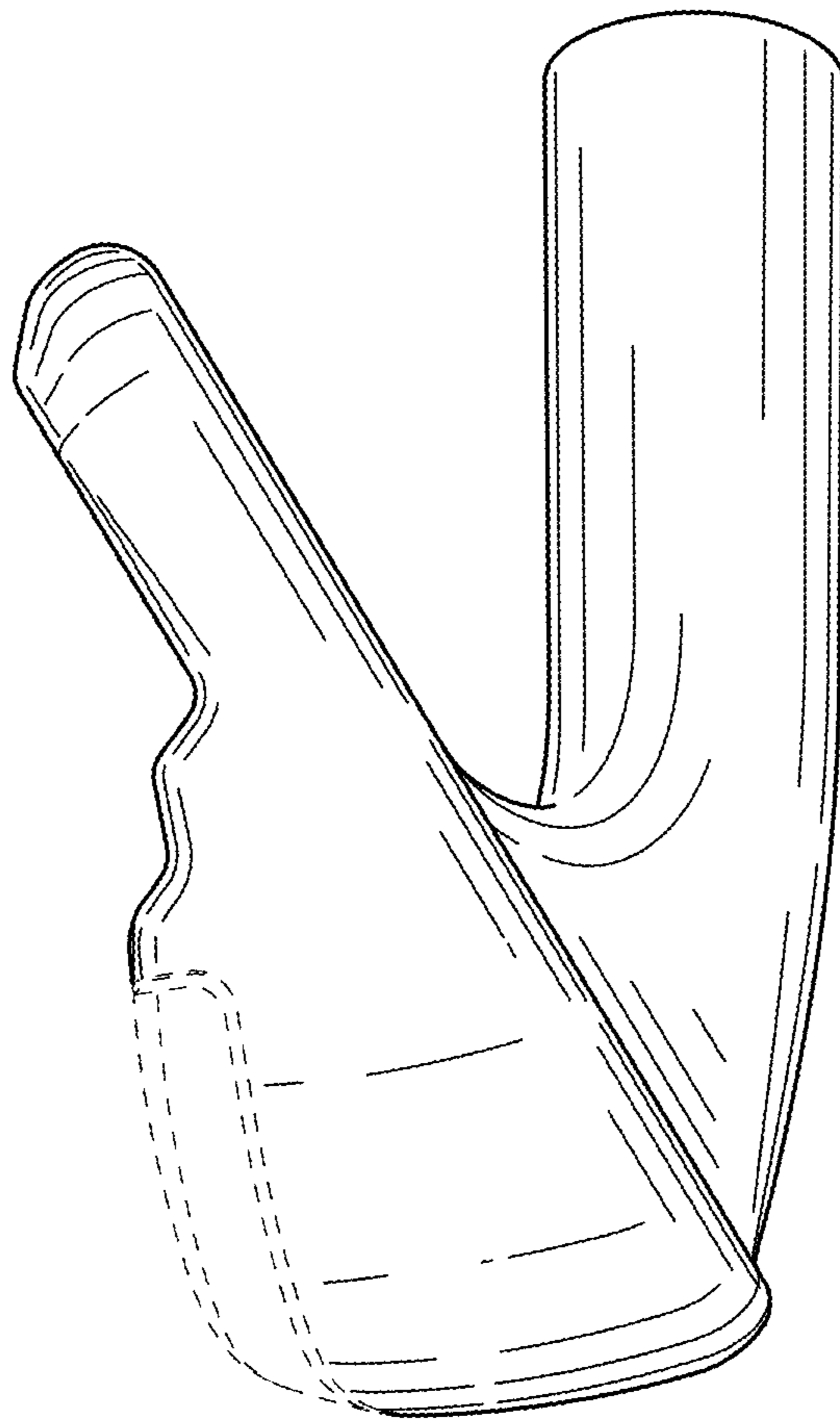


FIG. 24