



US00D825883S

(12) **United States Design Patent**
Oh et al.

(10) **Patent No.:** **US D825,883 S**

(45) **Date of Patent:** **** Aug. 14, 2018**

(54) **AUTOMATED TELLER MACHINE**

(71) Applicant: **LG CNS CO., LTD.**, Seoul (KR)

(72) Inventors: **Sungyong Oh**, Seoul (KR); **Jesung Yeon**, Seoul (KR)

(73) Assignee: **A TEC AP Co., Ltd.**, Seoul (KR)

(**) Term: **15 Years**

(21) Appl. No.: **29/570,364**

(22) Filed: **Jul. 7, 2016**

(30) **Foreign Application Priority Data**

Jan. 7, 2016 (KR) 30-2016-0000749

(51) **LOC (11) Cl.** **20-01**

(52) **U.S. Cl.**
USPC **D99/28**

(58) **Field of Classification Search**
USPC D99/28, 29, 34, 35, 36, 37, 38, 39, 40,
D99/41, 42, 43; D14/900, 901, 902, 307;
109/1 V; 232/4 R; D9/414, 423, 424;
D7/351; D3/273, 292, 304, 323;
D18/3.1, 3.2, 3.3; D8/334; D15/9.1, 9.2;
D10/42; D25/16

CPC G07F 19/20; G07F 19/202; G07F 19/203;
G07F 19/204; G07F 19/205; G07F
19/207; G06Q 20/1085; A47B 43/00

See application file for complete search history.

(56) **References Cited**

U.S. PATENT DOCUMENTS

D319,135 S	*	8/1991	Feger	D99/28
D386,883 S	*	11/1997	Do	D99/28
D481,518 S	*	10/2003	Magee	D99/28
D596,374 S	*	7/2009	Kang	D99/28
D615,274 S	*	5/2010	Kim	D99/28
D625,485 S	*	10/2010	Lee	D99/28
D652,601 S	*	1/2012	Rohan	D14/307
D674,985 S	*	1/2013	Lee	D14/900

D696,484 S	*	12/2013	Lee	D99/28
D696,485 S	*	12/2013	Lee	D99/28
D746,539 S	*	12/2015	Lee	D99/28
D765,340 S	*	8/2016	Lee	D99/28
D769,572 S	*	10/2016	Park	D99/28
D792,049 S	*	7/2017	Oh	D99/28

OTHER PUBLICATIONS

LG CNS ezATM 6000 Cash Recycling ATM, no date available, [online], [site visited Jun. 8, 2017]. Retrieved from: file:///H:/Writeups%20and%20NPL/Safes%20and%20Vaults/29570364/NPL%20LG%20CNS%20ezATM%206000%20Cash%20Recycling%20ATM.pdf.*
CNS ezATM 850WS Cash Dispenser, no date available, [online], [site visited Jun. 8, 2017]. Retrieved from: file:///H:/Writeups%20and%20NPL/Safes%20and%20Vaults/29570364/NPL%20CNS%20ezATM%20850WS%20Cash%20Dispenser.pdf.*

* cited by examiner

Primary Examiner — Jeffrey D Asch

Assistant Examiner — Tracey J Bell

(74) *Attorney, Agent, or Firm* — Saliwanchik, Lloyd & Eisenschenk

(57) **CLAIM**

The ornamental design for an automated teller machine, as shown and described.

DESCRIPTION

FIG. 1 is a front, right side, perspective view of an automated teller machine showing our new design; FIG. 2 is a front elevation view thereof; FIG. 3 is a rear elevation view thereof; FIG. 4 is a left side elevation view thereof; FIG. 5 is a right side elevation view thereof; FIG. 6 is a top plan view thereof; and, FIG. 7 is a bottom plan view thereof. Portions of the automated teller machine depicted in broken lines form no part of the claimed design.

1 Claim, 7 Drawing Sheets

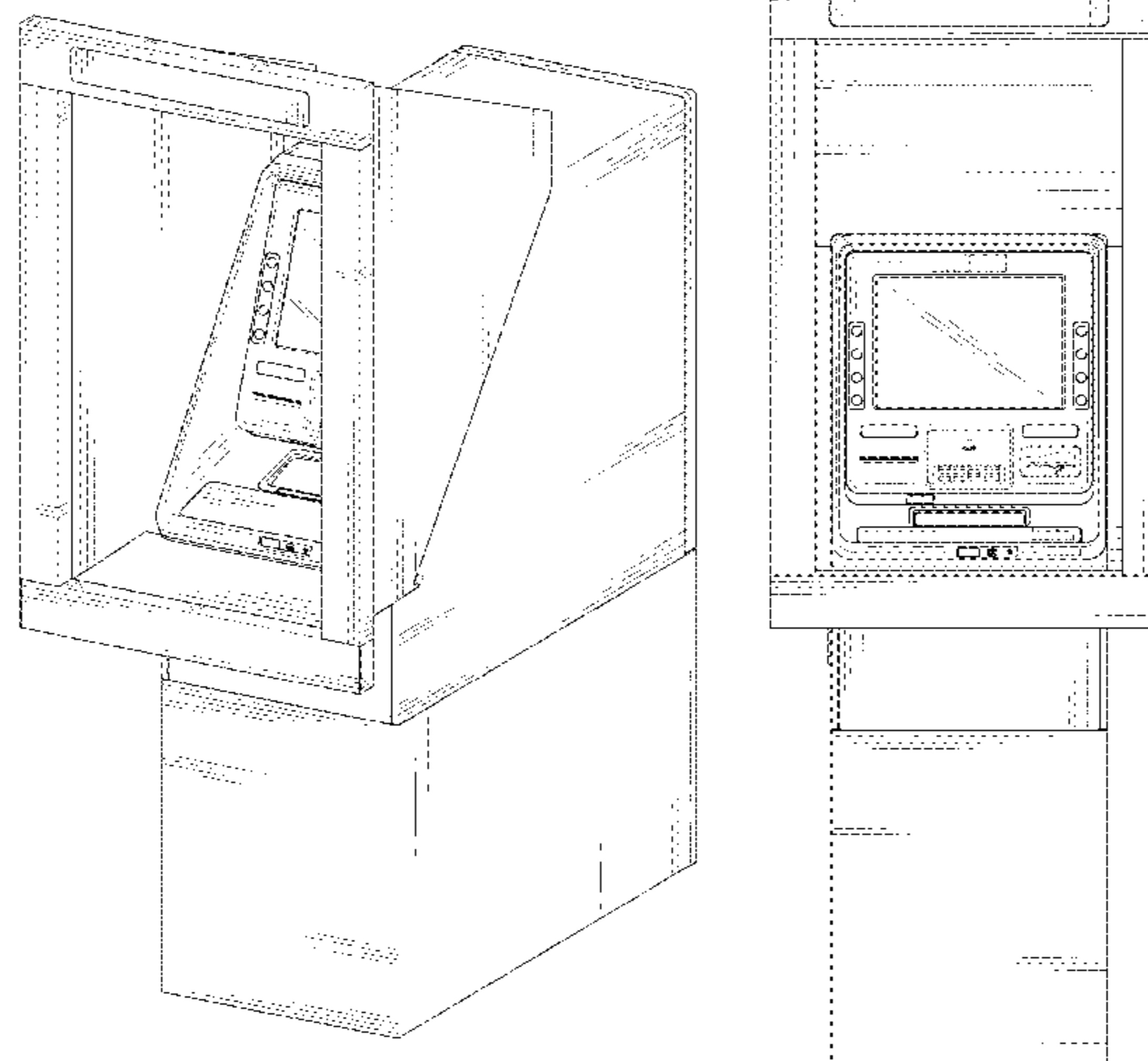


FIG. 1

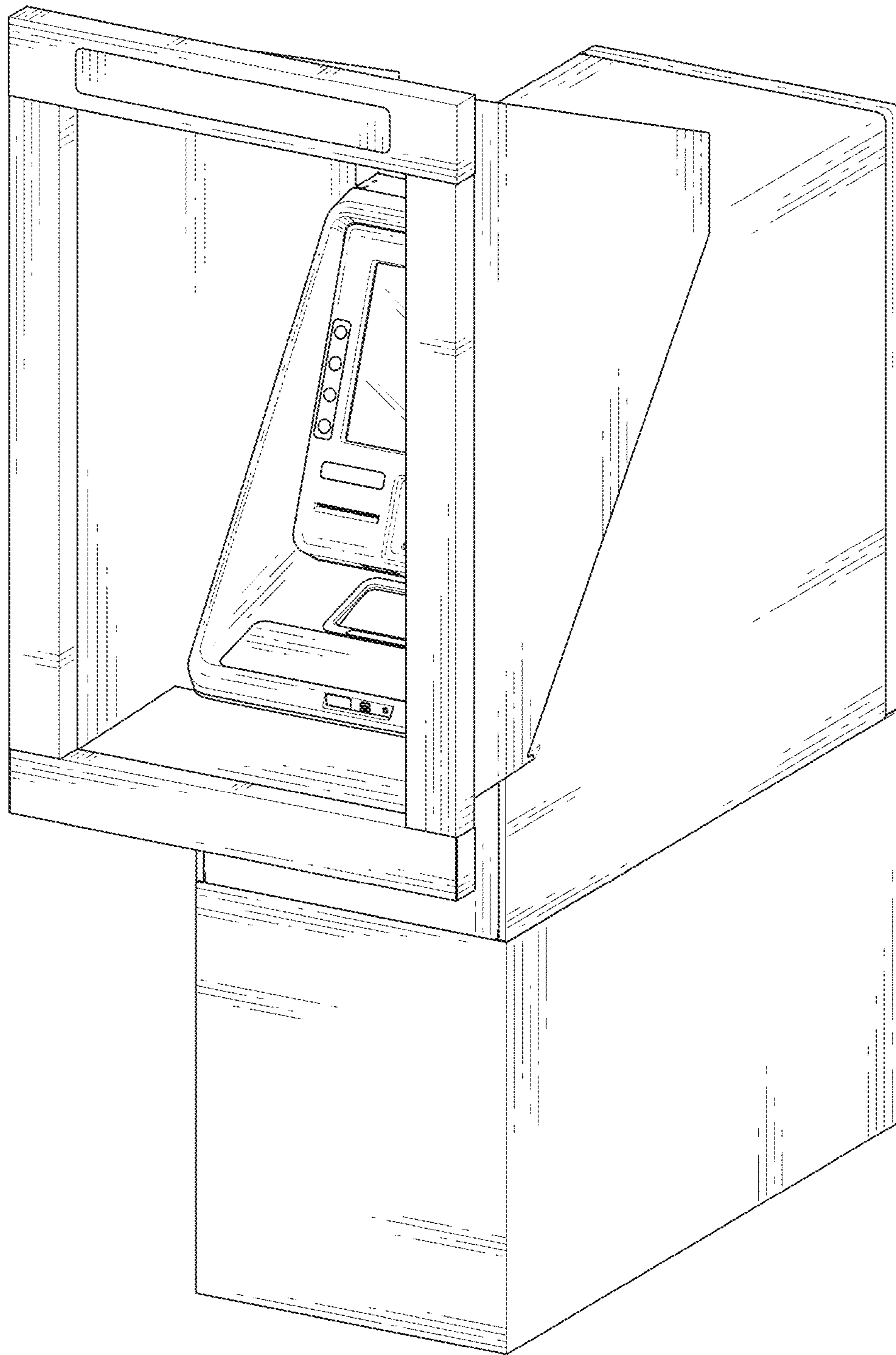


FIG. 2

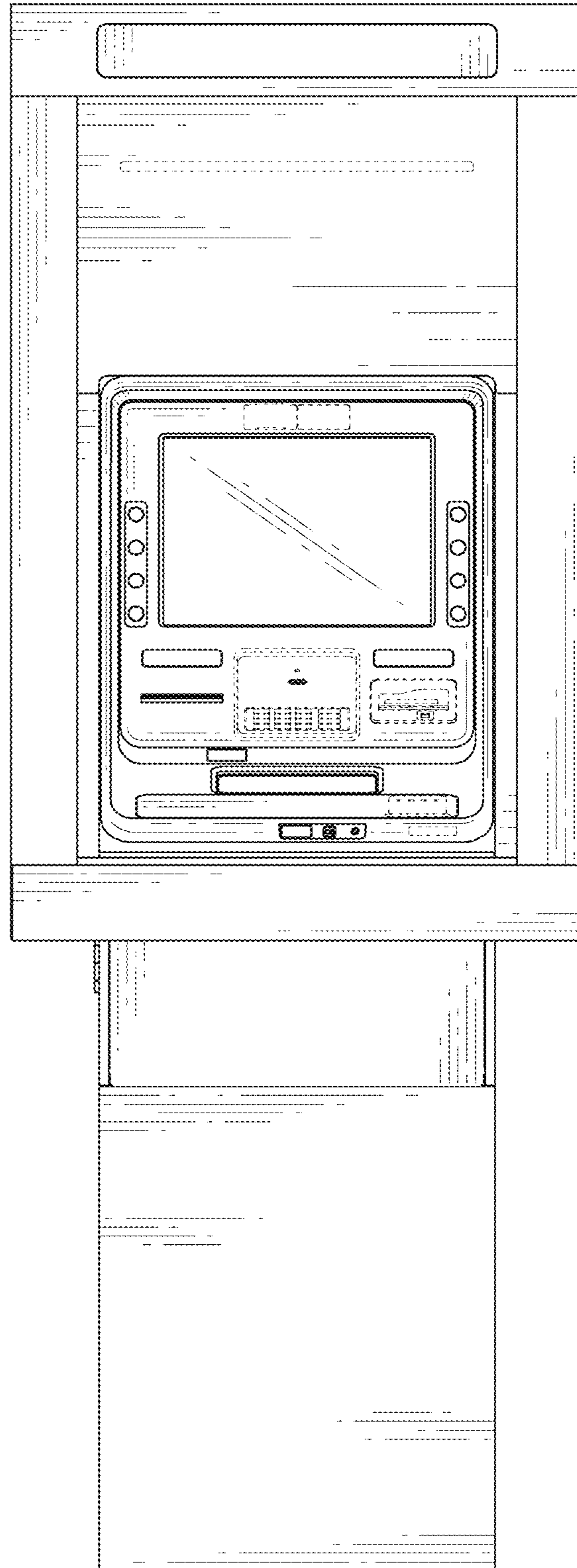


FIG. 3

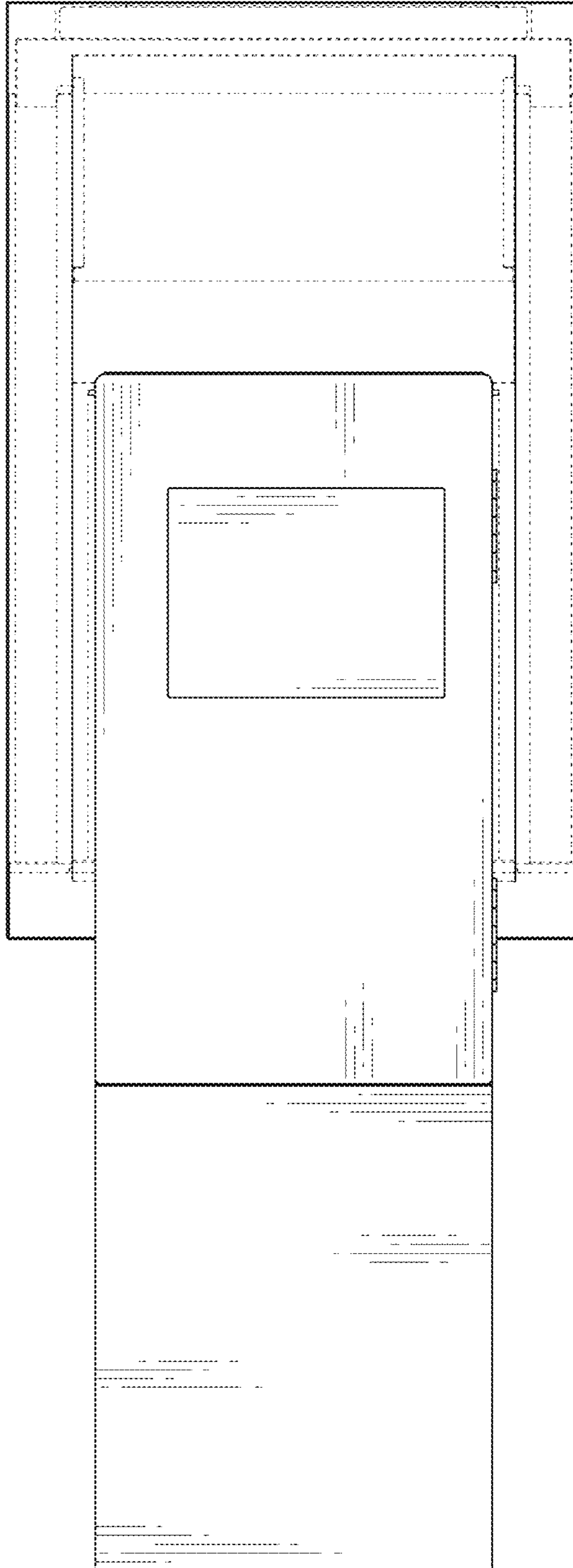


FIG. 4

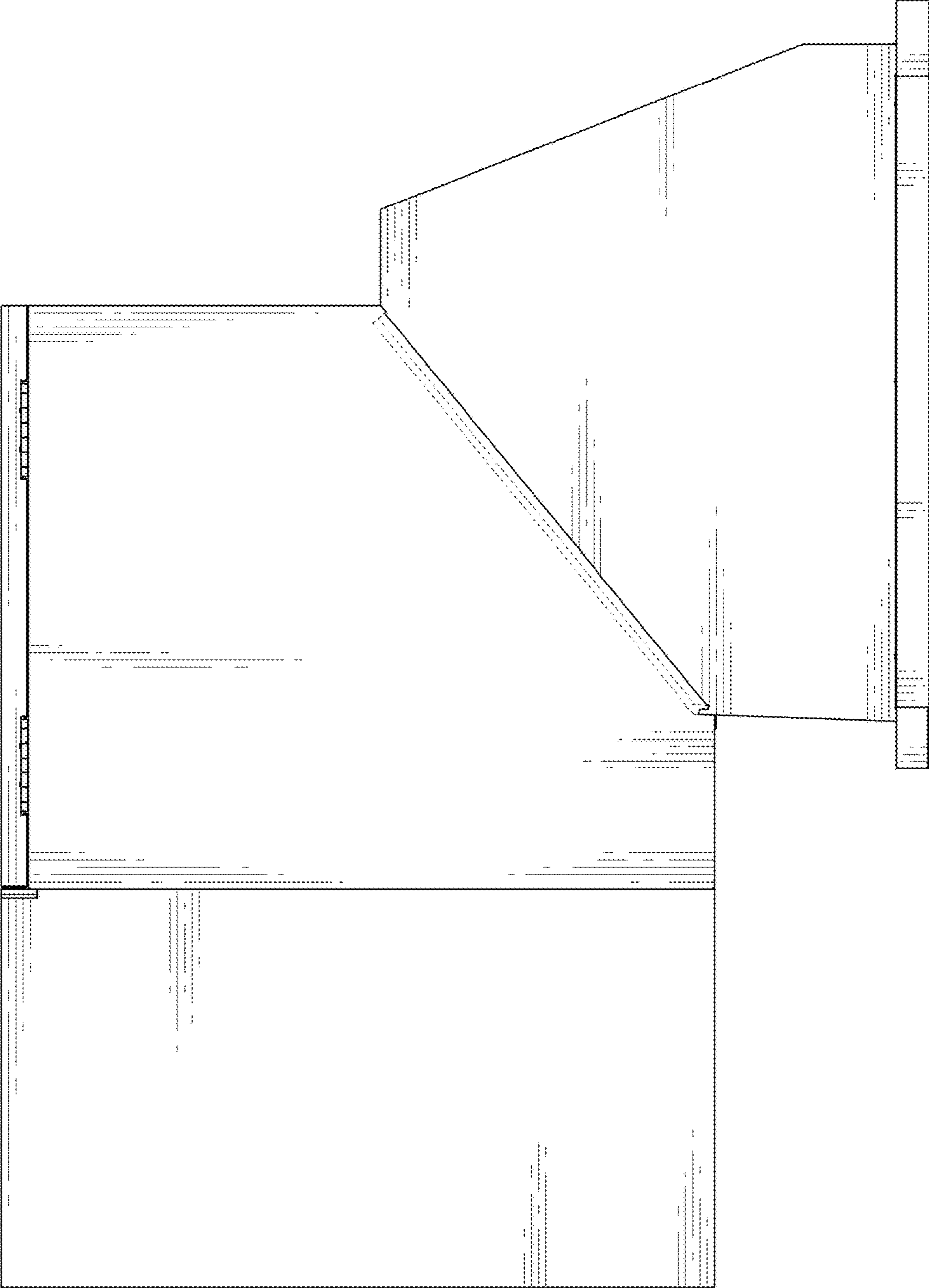


FIG. 5

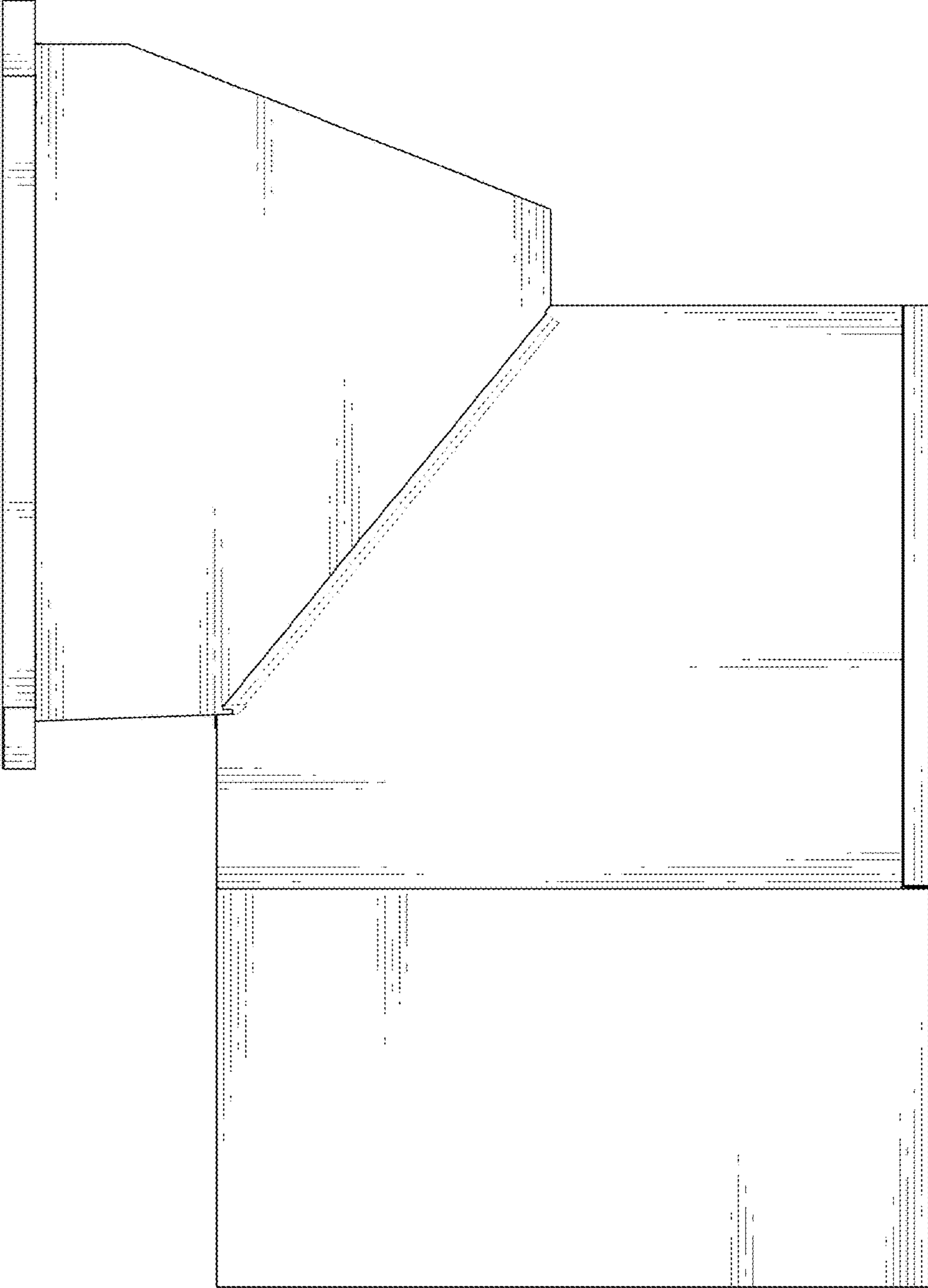


FIG. 6

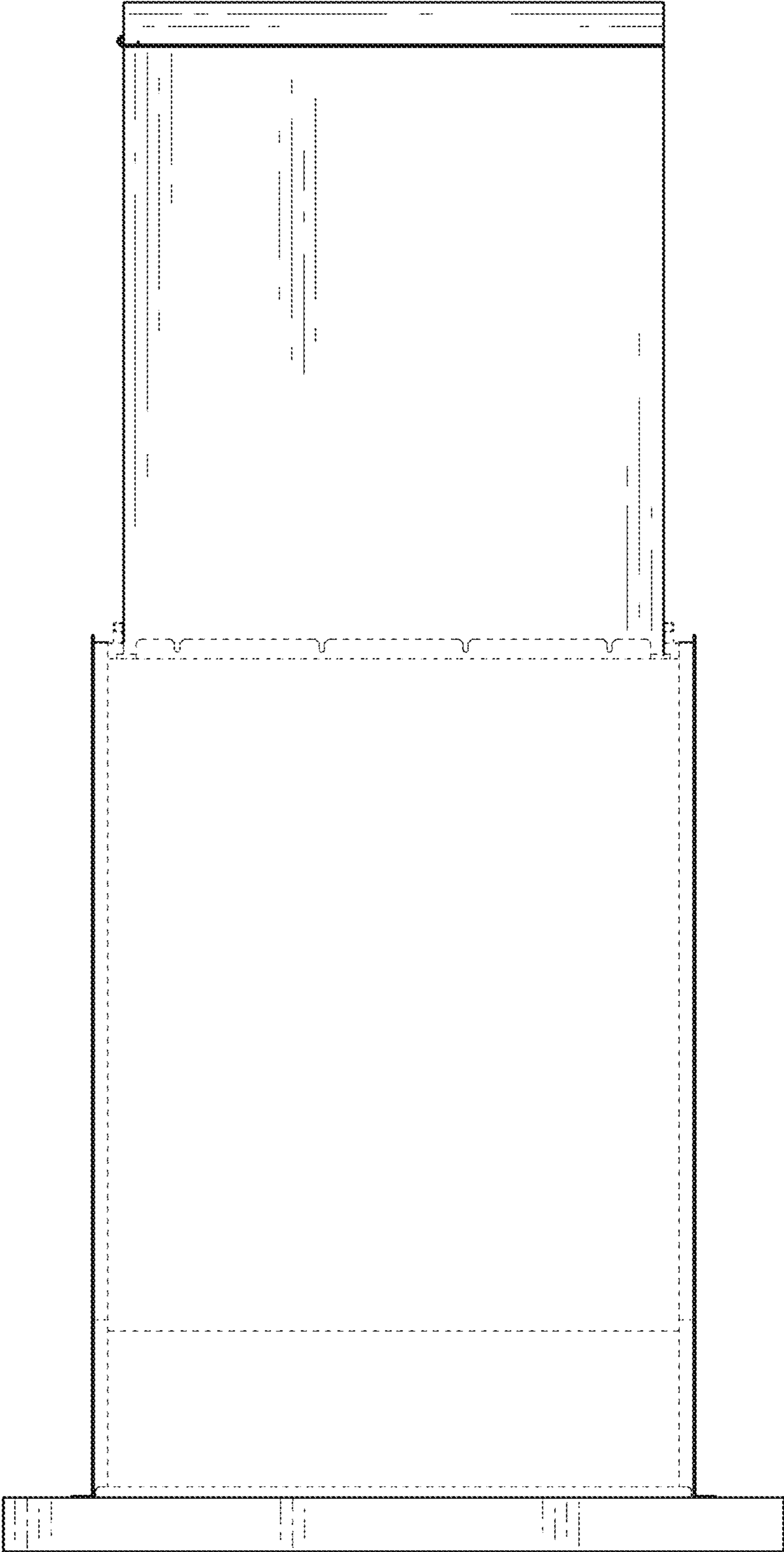


FIG. 7

