



US00D825878S

(12) **United States Design Patent** (10) **Patent No.:** **US D825,878 S**
Lewis (45) **Date of Patent:** **** Aug. 14, 2018**

(54) **TRASH CAN**
(71) Applicant: **Jeffrey L. Lewis**, Kiowa, OK (US)
(72) Inventor: **Jeffrey L. Lewis**, Kiowa, OK (US)
(**) Term: **15 Years**
(21) Appl. No.: **29/583,135**
(22) Filed: **Nov. 2, 2016**

5,901,872 A 5/1999 Zonninhofer et al.
D428,828 S * 8/2000 Gutierrez D11/143
D447,304 S * 8/2001 Niemeyer D34/1
D458,431 S 6/2002 Skalka
D474,339 S * 5/2003 Pleiman D3/273
D537,597 S * 2/2007 Bolden D34/1
D556,451 S * 12/2007 McDonald D3/294
D576,020 S * 9/2008 Arcati D8/1
D587,452 S * 3/2009 Bisson D3/272
D606,271 S 12/2009 Skalka
D607,171 S * 12/2009 Schwartz D34/1
D758,037 S * 5/2016 Madrid B65F 1/06
D34/8

Related U.S. Application Data

(63) Continuation-in-part of application No. 13/465,107, filed on May 7, 2012.

2003/0209549 A1 11/2003 Grimes
2010/0276427 A1* 11/2010 Kaberna B65D 83/0894
220/495.07
2013/0105486 A1* 5/2013 Mashburn B65F 1/06
220/495.06

(51) **LOC (11) Cl.** **09-09**
(52) **U.S. Cl.**
USPC **D34/7**
(58) **Field of Classification Search**
USPC D34/1-11; 220/908, 908.1; D9/440,
D9/441; D11/143; D3/272, 273, 274
CPC B65F 1/06; B65F 1/106; B65F 1/1615;
B65F 1/1607; B65F 1/163; B65F 1/16;
B65F 1/062
See application file for complete search history.

* cited by examiner

Primary Examiner — Cynthia Ramirez
(74) *Attorney, Agent, or Firm* — Cramer Patent & Design, PLLC; Aaron R. Cramer

(57) **CLAIM**

The ornamental design for a trash can, as shown and described.

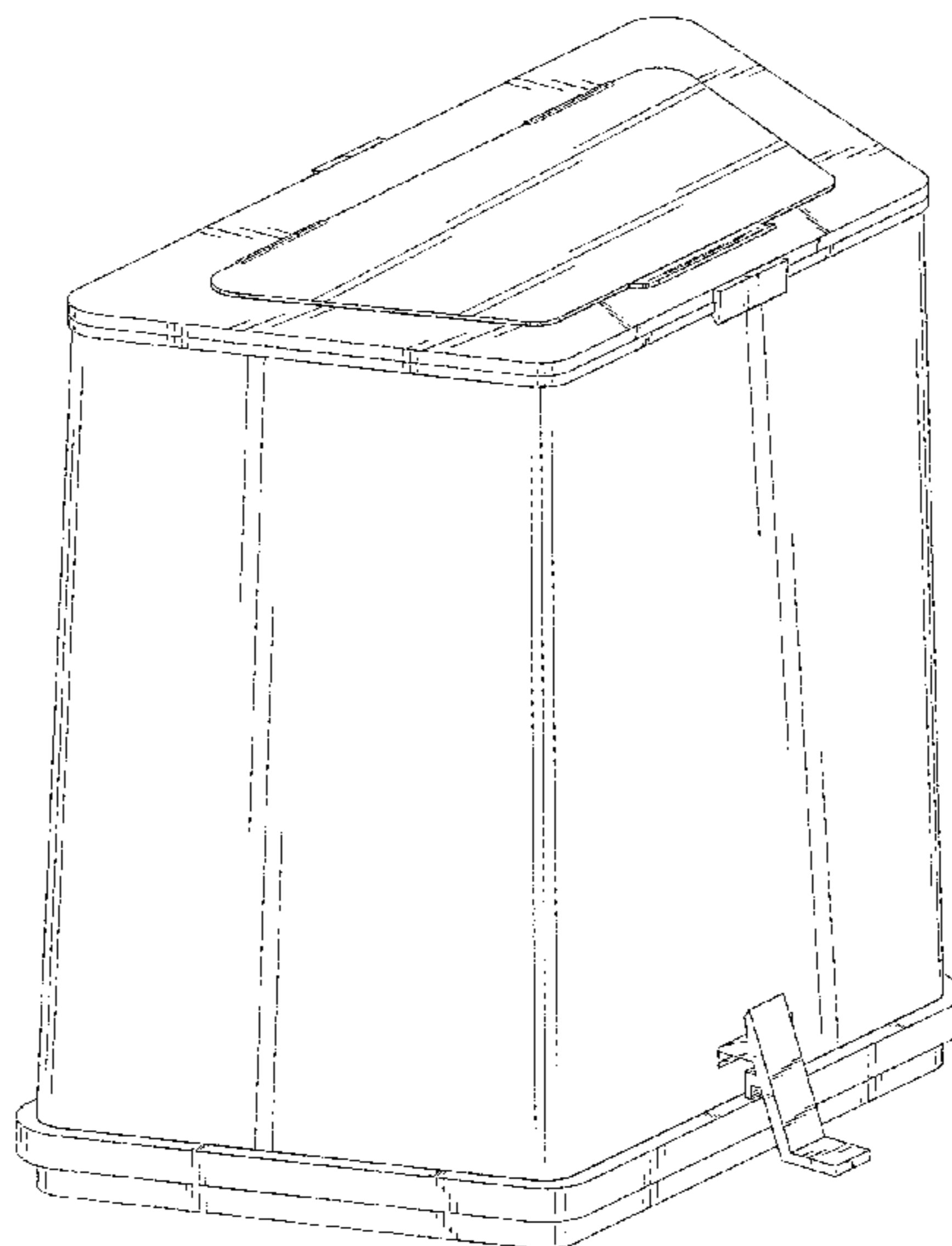
DESCRIPTION

FIG. 1 is a top, front perspective exploded view of a trash can showing my new design;
FIG. 2 is a top, rear perspective exploded view thereof;
FIG. 3 is a top, front perspective view of the trash;
FIG. 4 is a top, rear perspective thereof;
FIG. 5 is a front elevational view thereof;
FIG. 6 is a rear elevational view thereof;
FIG. 7 is a right elevational view thereof;
FIG. 8 is a left elevational view thereof;
FIG. 9 is a top plan view thereof; and,
FIG. 10 is a bottom plan view thereof.

(56) **References Cited**
U.S. PATENT DOCUMENTS

1,157,008 A 10/1915 Lang
1,985,508 A 12/1934 Lasell
2,690,274 A 9/1954 Thurston
3,997,072 A 12/1976 Guth
D251,153 S * 2/1979 Thompson D3/272
4,923,080 A 5/1990 Lounsbury
D324,122 S * 2/1992 Brusing D34/1
D331,651 S * 12/1992 Nilson D34/24
D336,703 S * 6/1993 Mason, Jr. D19/81
5,295,606 A 3/1994 Karwoski
D358,916 S * 5/1995 Barbieri D3/313
D360,643 S * 7/1995 Whittington D15/151

1 Claim, 10 Drawing Sheets



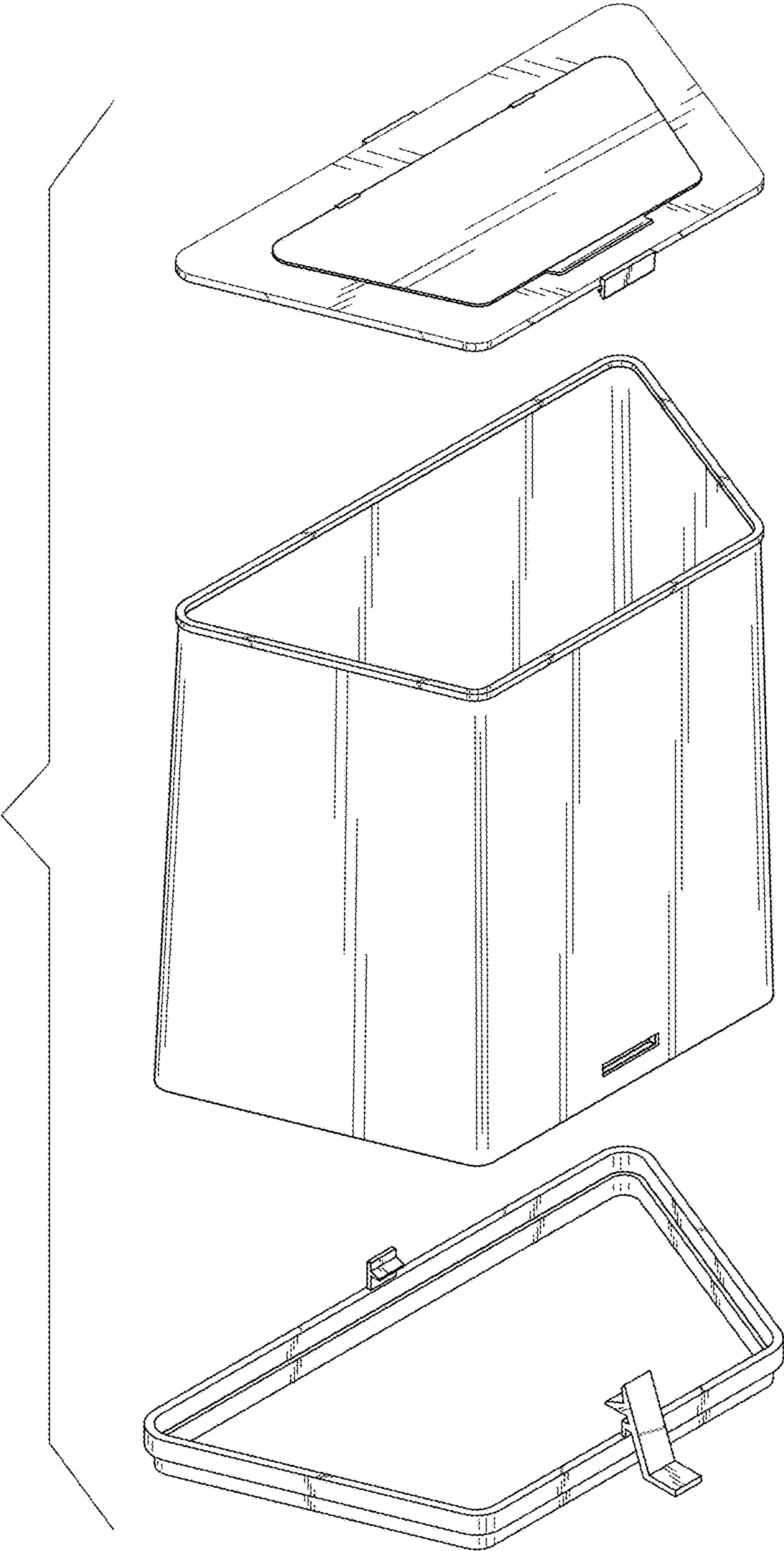


FIG. 1

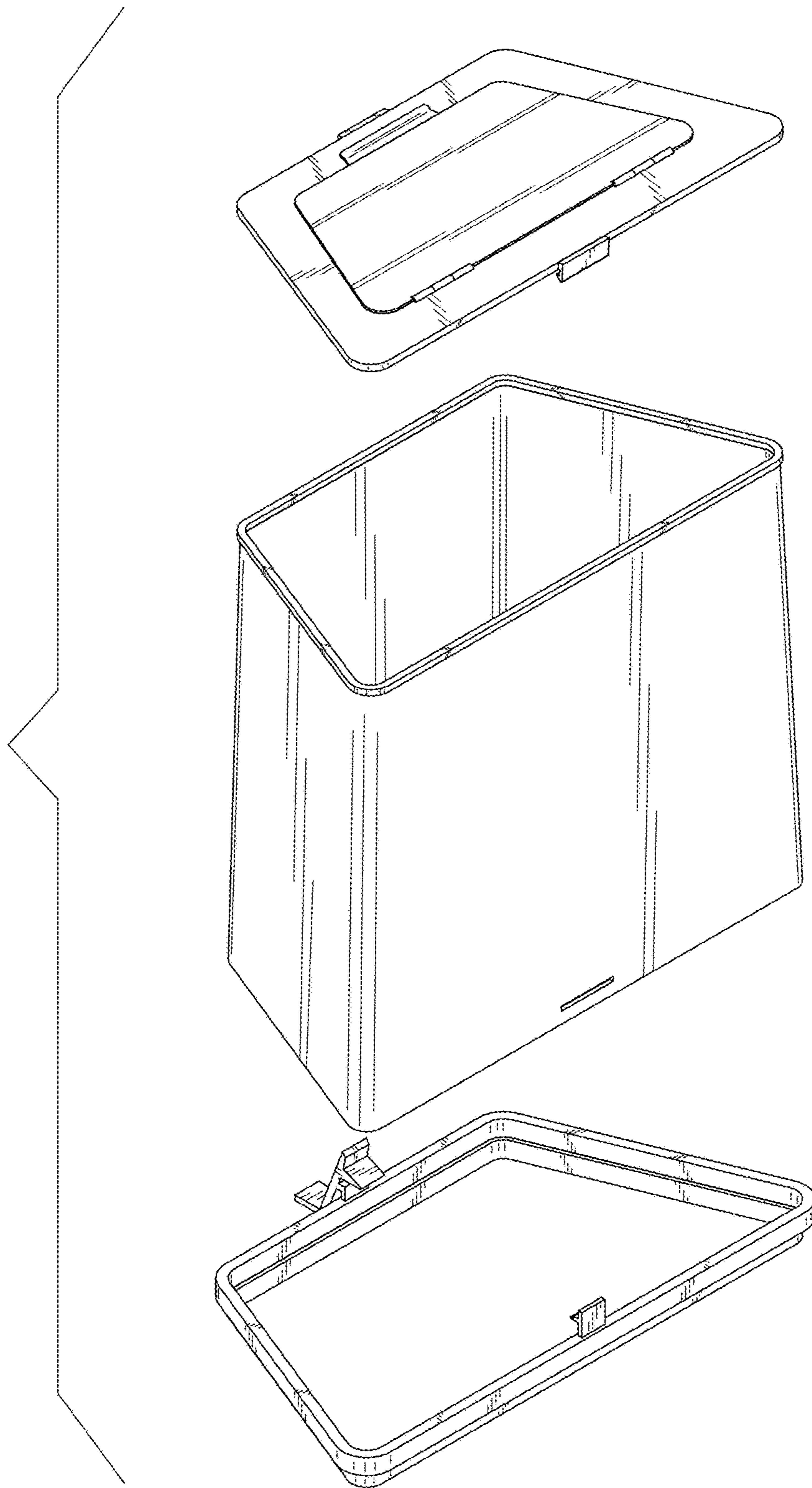


FIG. 2

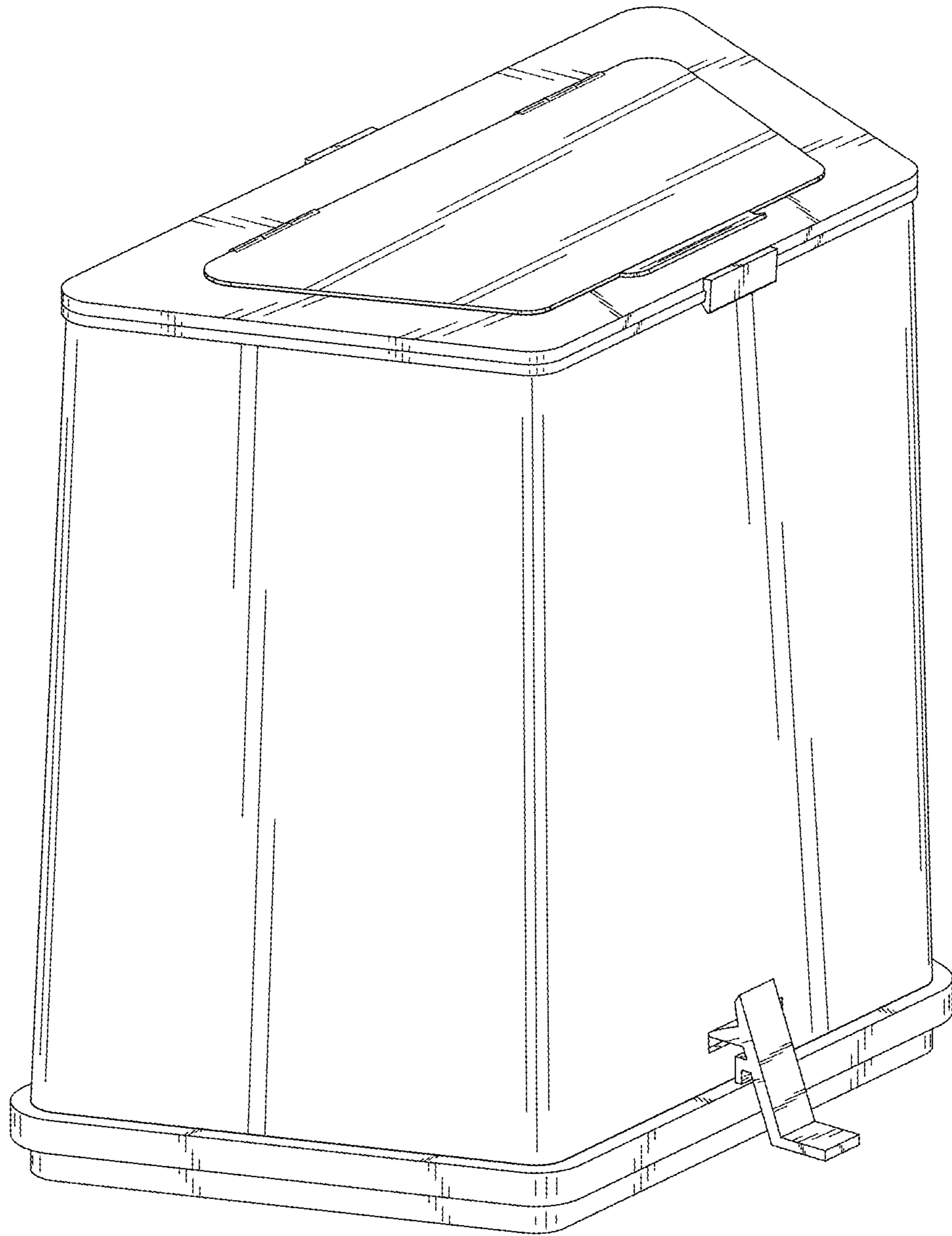


FIG. 3

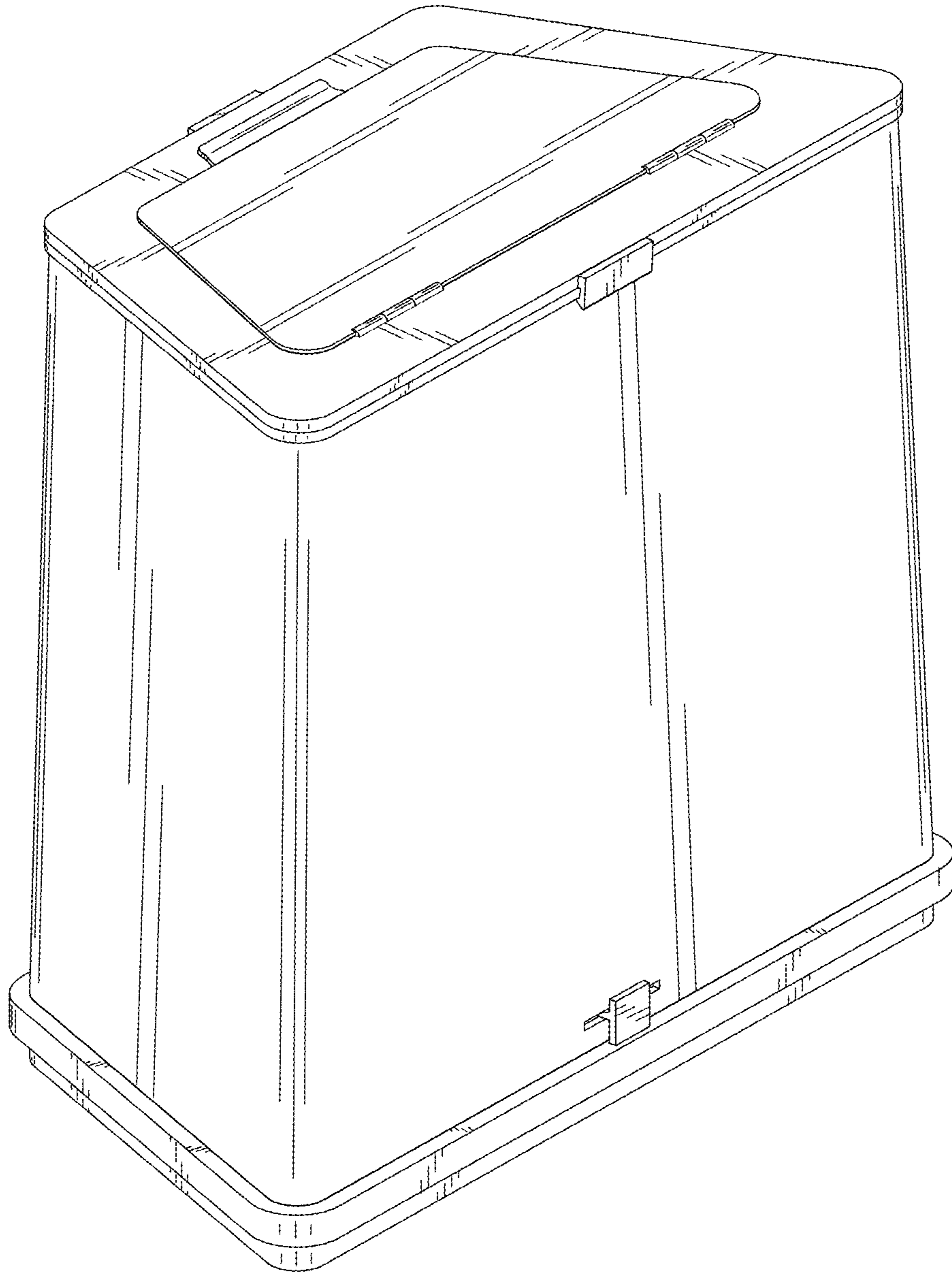


FIG. 4

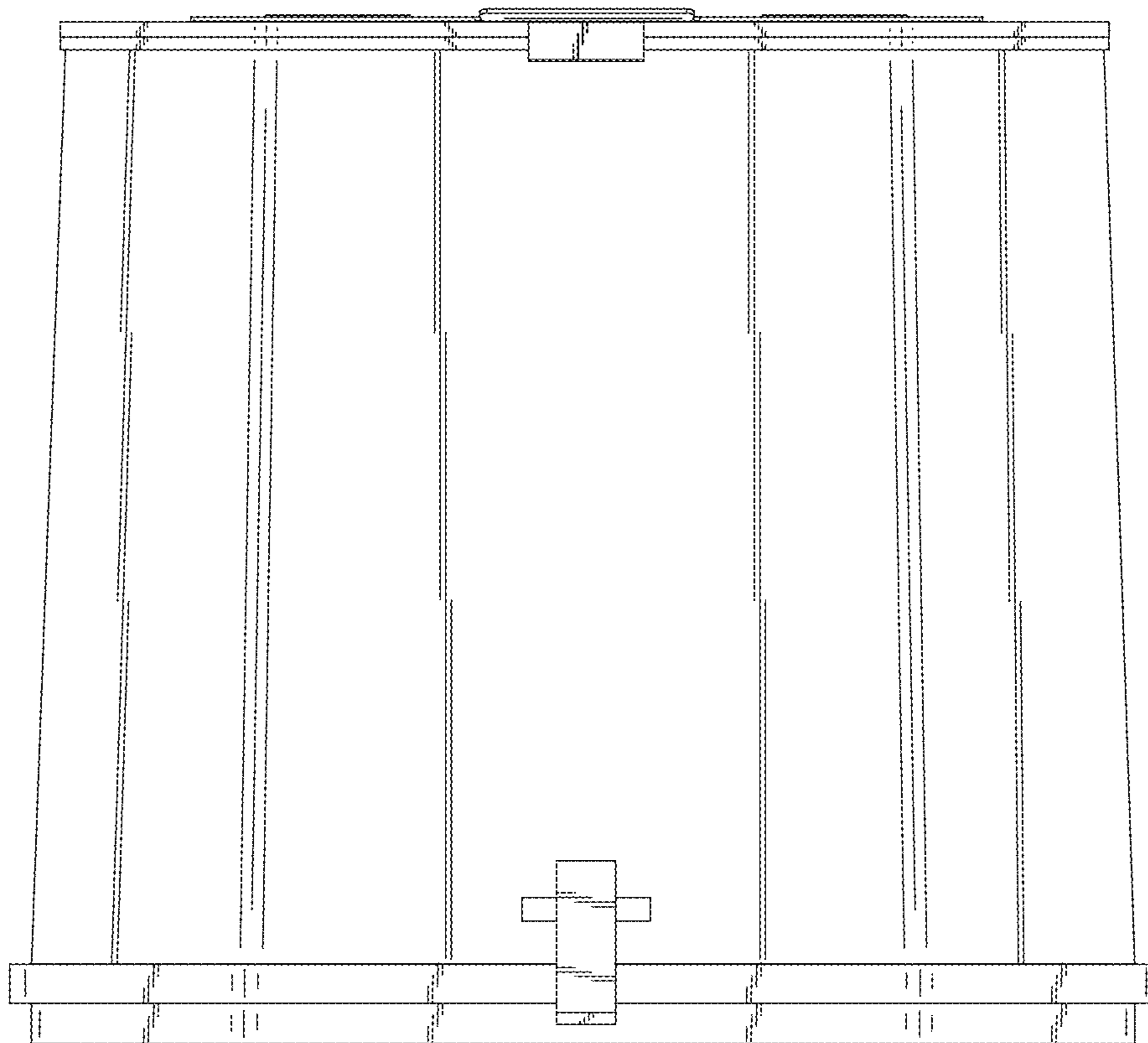


FIG. 5

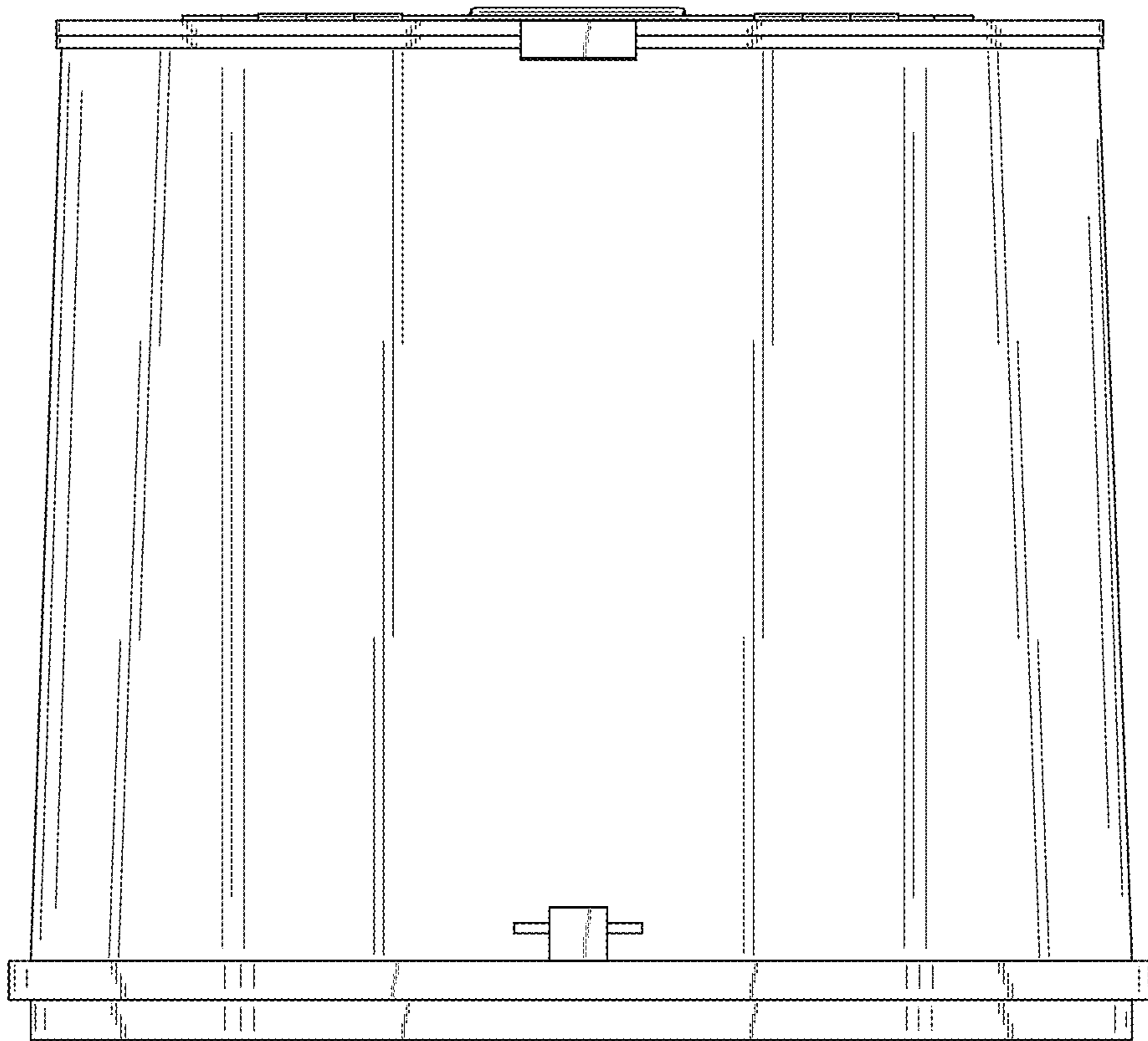


FIG. 6

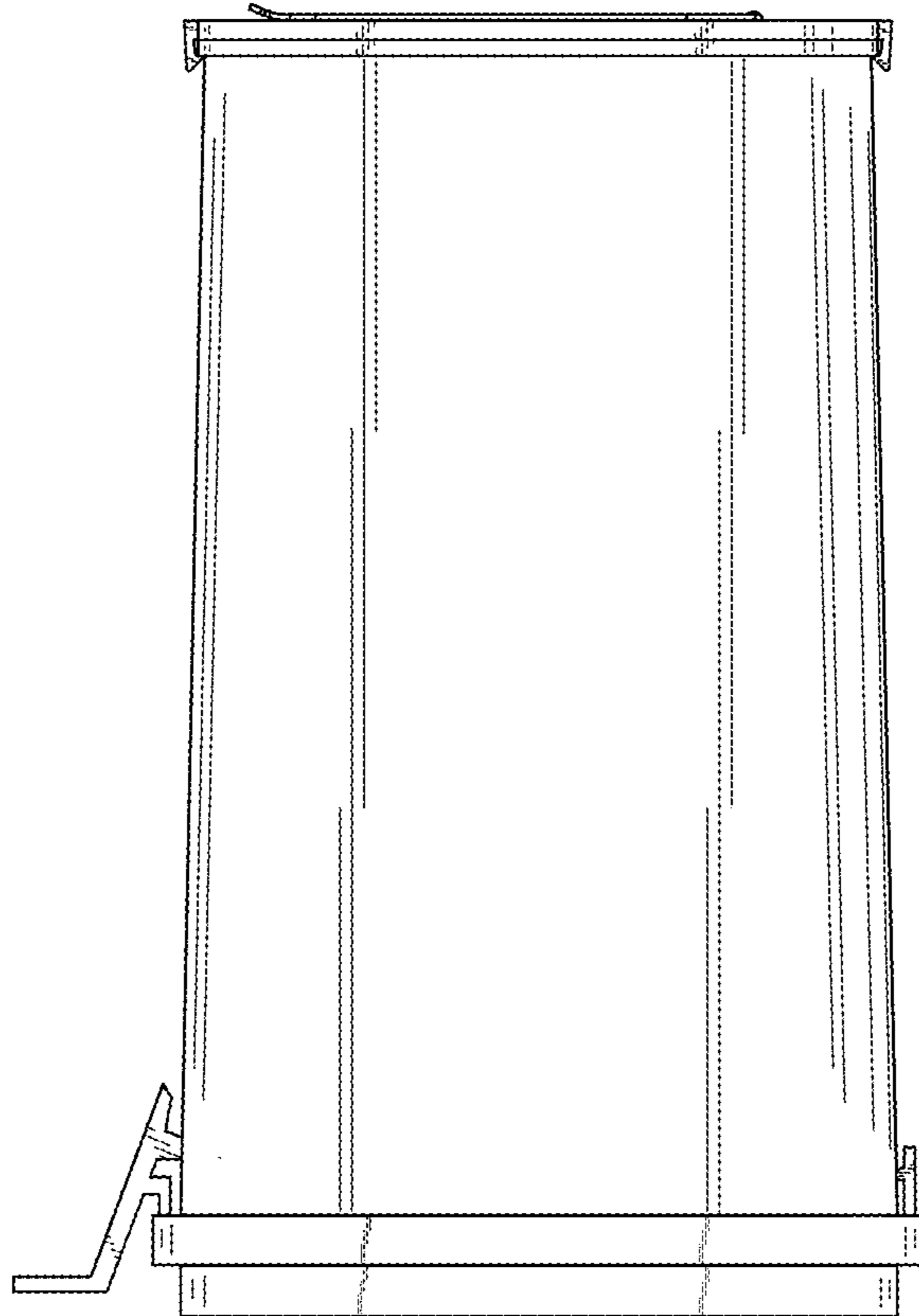


FIG. 7

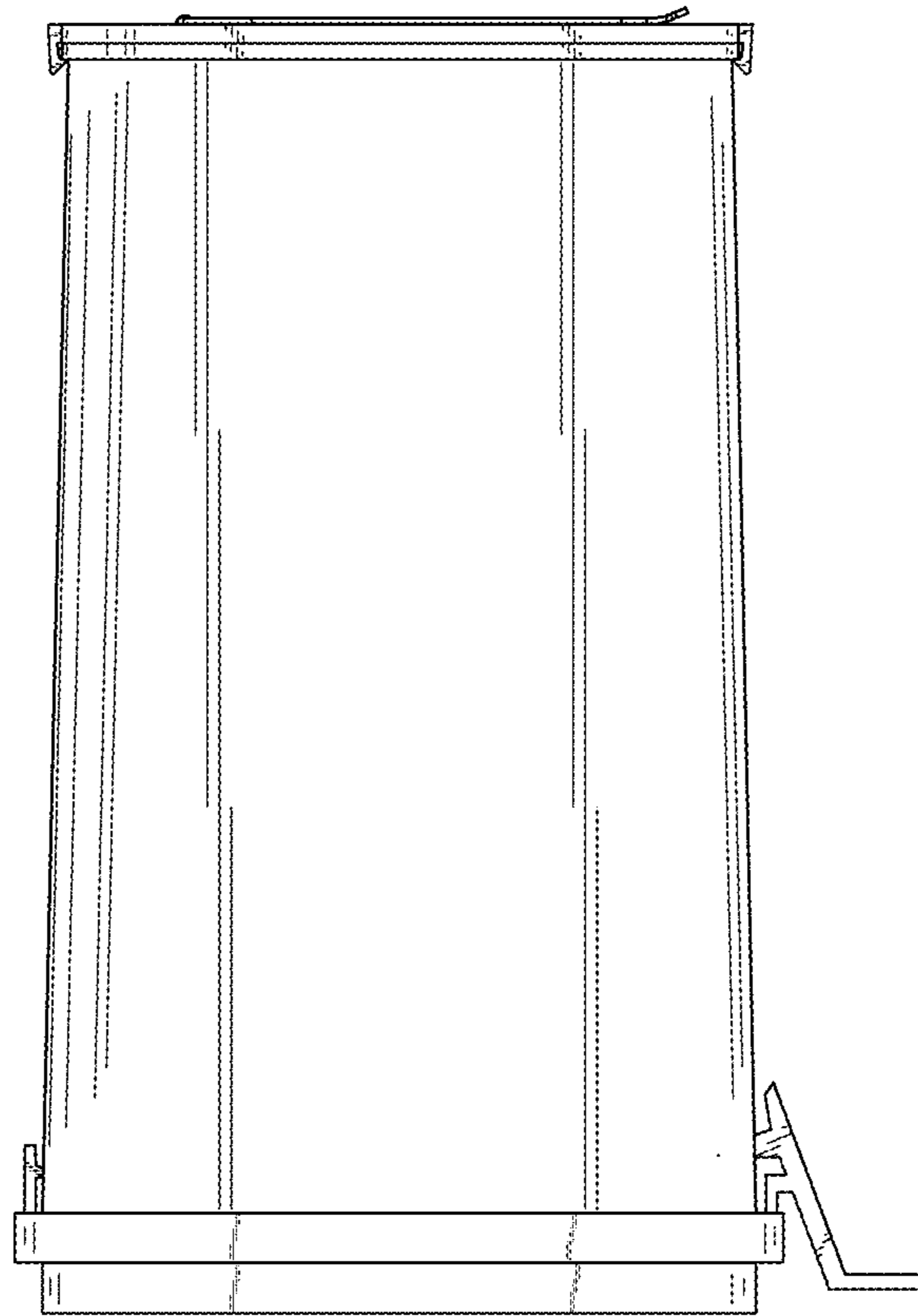


FIG. 8

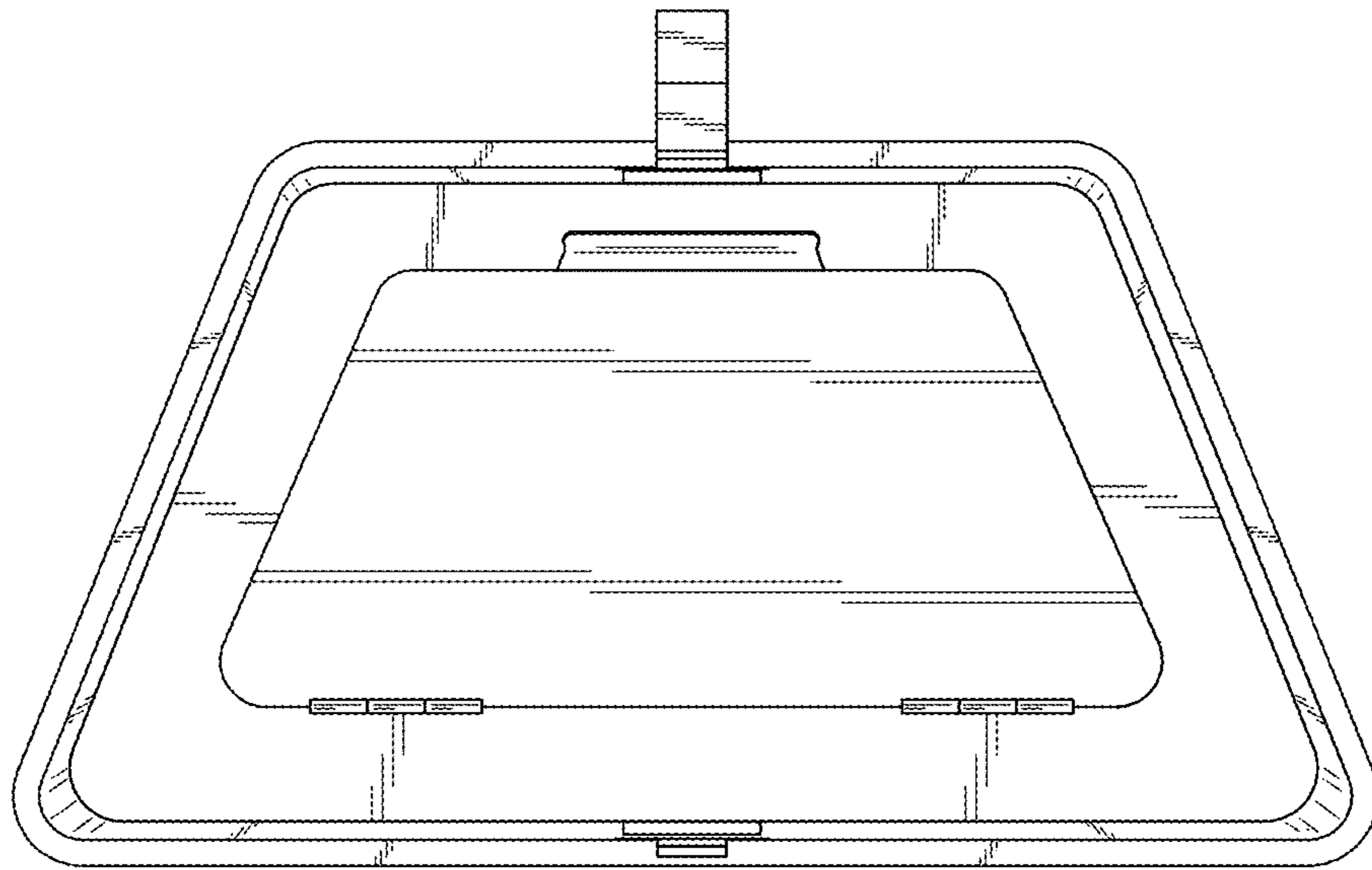


FIG. 9

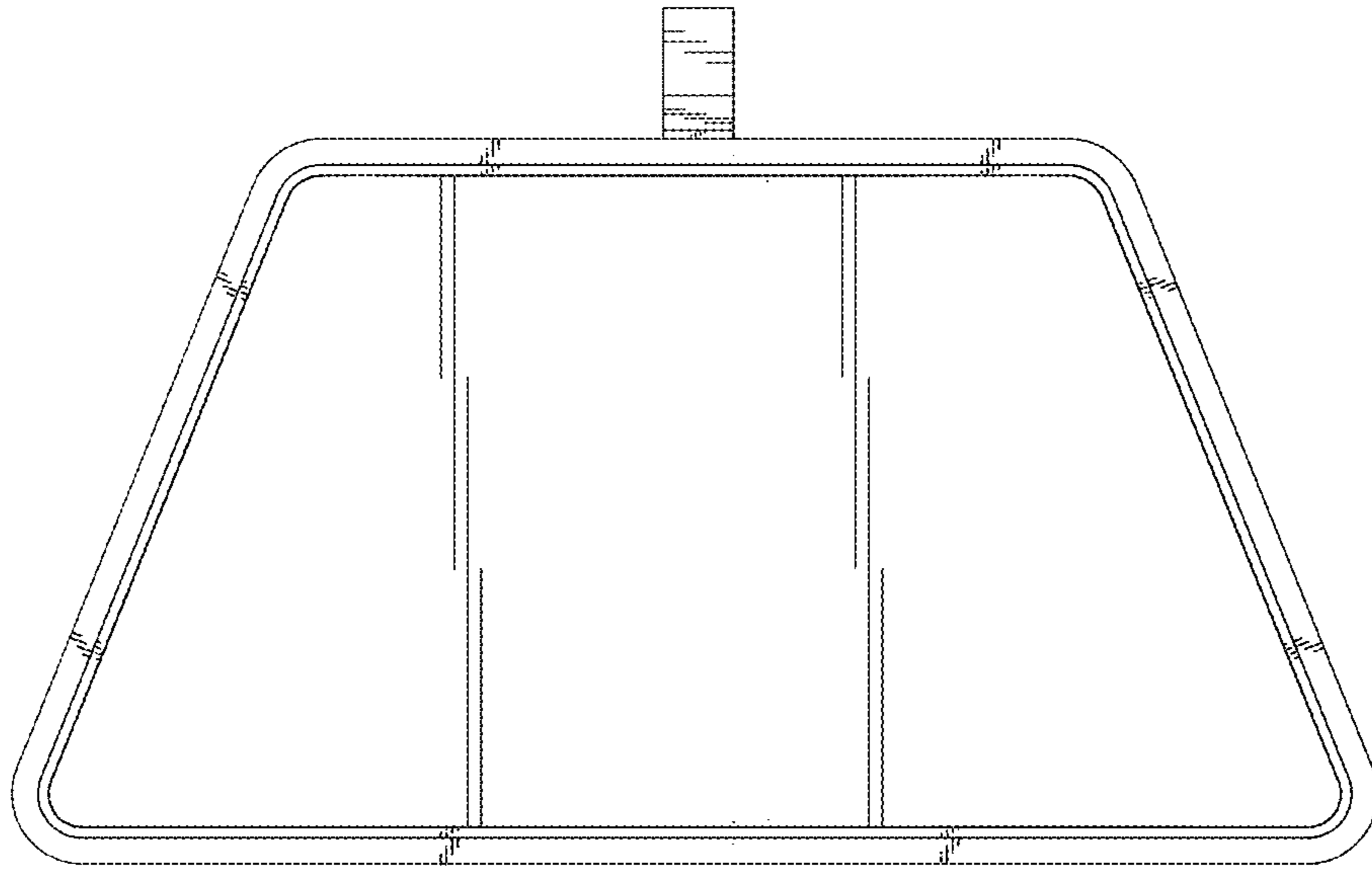


FIG. 10