



US00D825877S

(12) **United States Design Patent** (10) **Patent No.:** **US D825,877 S**
Eason (45) **Date of Patent:** **** Aug. 14, 2018**

(54) **CONSTRUCTION SITE WASTE AND CONCRETE WASHOUT CONTAINER**

(71) Applicant: **Robert W Eason**, Boise, ID (US)

(72) Inventor: **Robert W Eason**, Boise, ID (US)

(**) Term: **15 Years**

(21) Appl. No.: **29/558,435**

(22) Filed: **Mar. 17, 2016**

(51) **LOC (11) Cl.** **09-09**

(52) **U.S. Cl.**
USPC **D34/7**

(58) **Field of Classification Search**
USPC D34/1, 4, 7, 10, 11; 220/908, 908.1, 220/666; D3/254, 305, 307, 312, 290
CPC B65D 1/0282; B65D 1/165; B65D 1/32; B65D 1/02; B65F 1/06; B65F 1/1615; B65F 1/1607

See application file for complete search history.

(56) **References Cited**

U.S. PATENT DOCUMENTS

2,600,501	A *	6/1952	Higgs	A62B 31/00 128/205.26
4,010,784	A *	3/1977	Natgrass	B65D 88/1612 383/117
4,073,105	A *	2/1978	Daugherty	A63H 33/088 446/110
4,207,937	A *	6/1980	Sandeman	B65D 88/1612 383/117
D307,968	S *	5/1990	Neal	D34/1
D323,048	S *	1/1992	Juul	D34/1
5,556,205	A *	9/1996	Gallie	B65D 88/1631 383/105
5,738,443	A *	4/1998	Renaud	B66C 1/226 383/17
D428,697	S *	8/2000	Nally	D3/254
D487,968	S *	4/2004	Begg	D3/243

D539,998	S *	4/2007	Andrade	D34/1
D544,166	S *	6/2007	Johnson	D34/1
D547,950	S *	8/2007	Kellogg	D3/305
D550,459	S *	9/2007	Eskandry	D3/305
D568,569	S *	5/2008	Wood	D34/1
D638,599	S *	5/2011	Wagner	D34/1
D729,656	S *	5/2015	Yu	D10/70
2010/0158414	A1 *	6/2010	Michailidis	A45C 3/04 383/12
2014/0048546	A1 *	2/2014	Kennis	B65D 33/02 220/666

* cited by examiner

Primary Examiner — Cynthia Ramirez

(74) Attorney, Agent, or Firm — Charles R. Clark

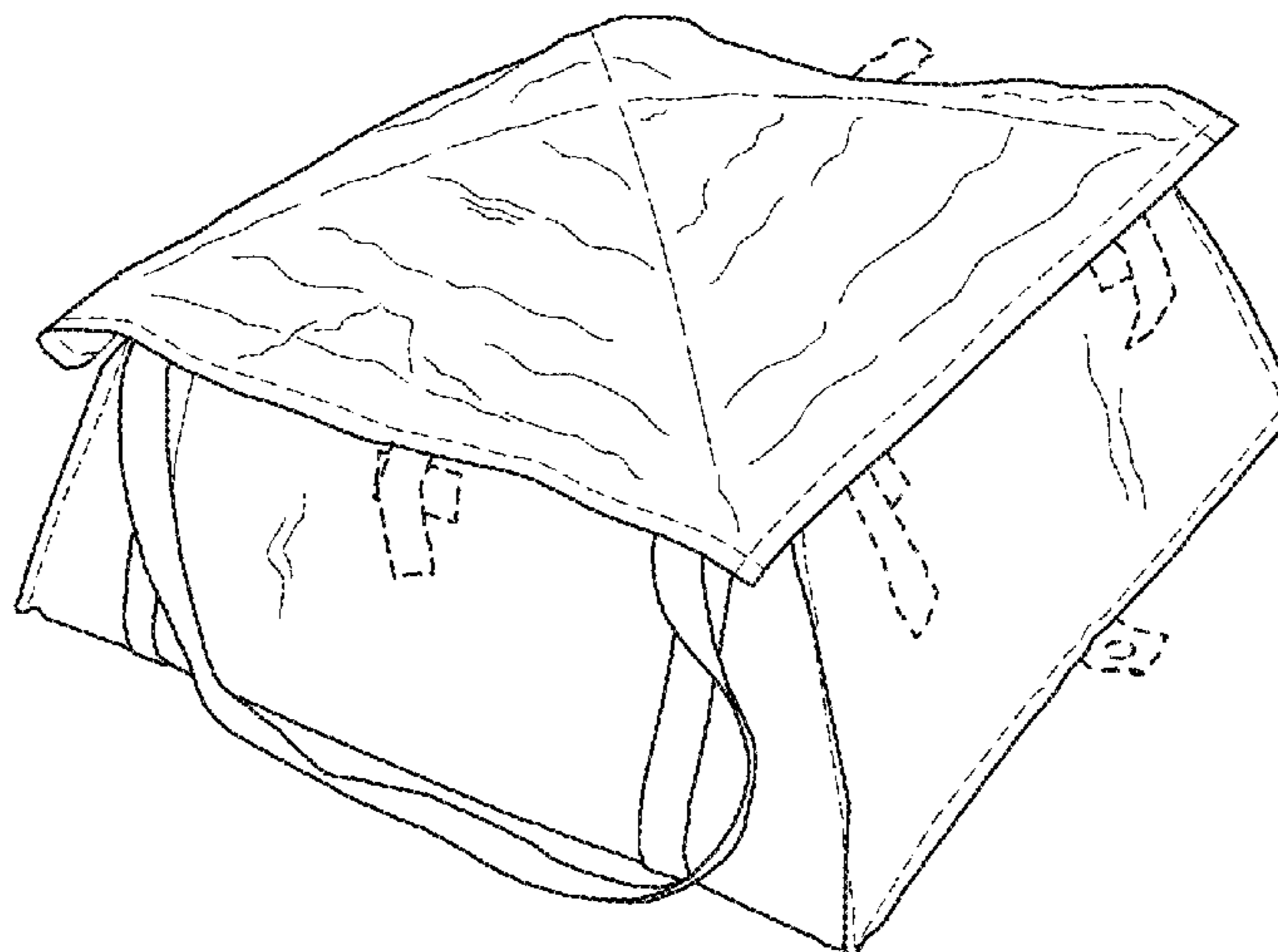
(57) **CLAIM**

I claim the ornamental design for a construction site waste and concrete washout container, as shown and described.

DESCRIPTION

FIG. 1 is a top perspective view from the right side and front side corner of a container showing my new design, the opposite left side being a mirror image of the right side; FIG. 2 is a top perspective view from the rear side and right side corner of the container of FIG. 1; FIG. 3 is a top perspective view from the right side and front side corner of the container of FIG. 1, showing the cover lid of the container in an open position; FIG. 4 is a top plan view of the container of FIG. 1; FIG. 5 is a top plan view of the container of FIG. 1, showing the cover lid of the container in an open position; and, FIG. 6 is a bottom plan view of the container of FIG. 1, showing the cover lid of the container in an open position. The broken lines shown on the edges of the container and the container's lid are to show stitching and form no part of the claimed design. The other broken lines are to show environment and form no part of the claimed design.

1 Claim, 6 Drawing Sheets



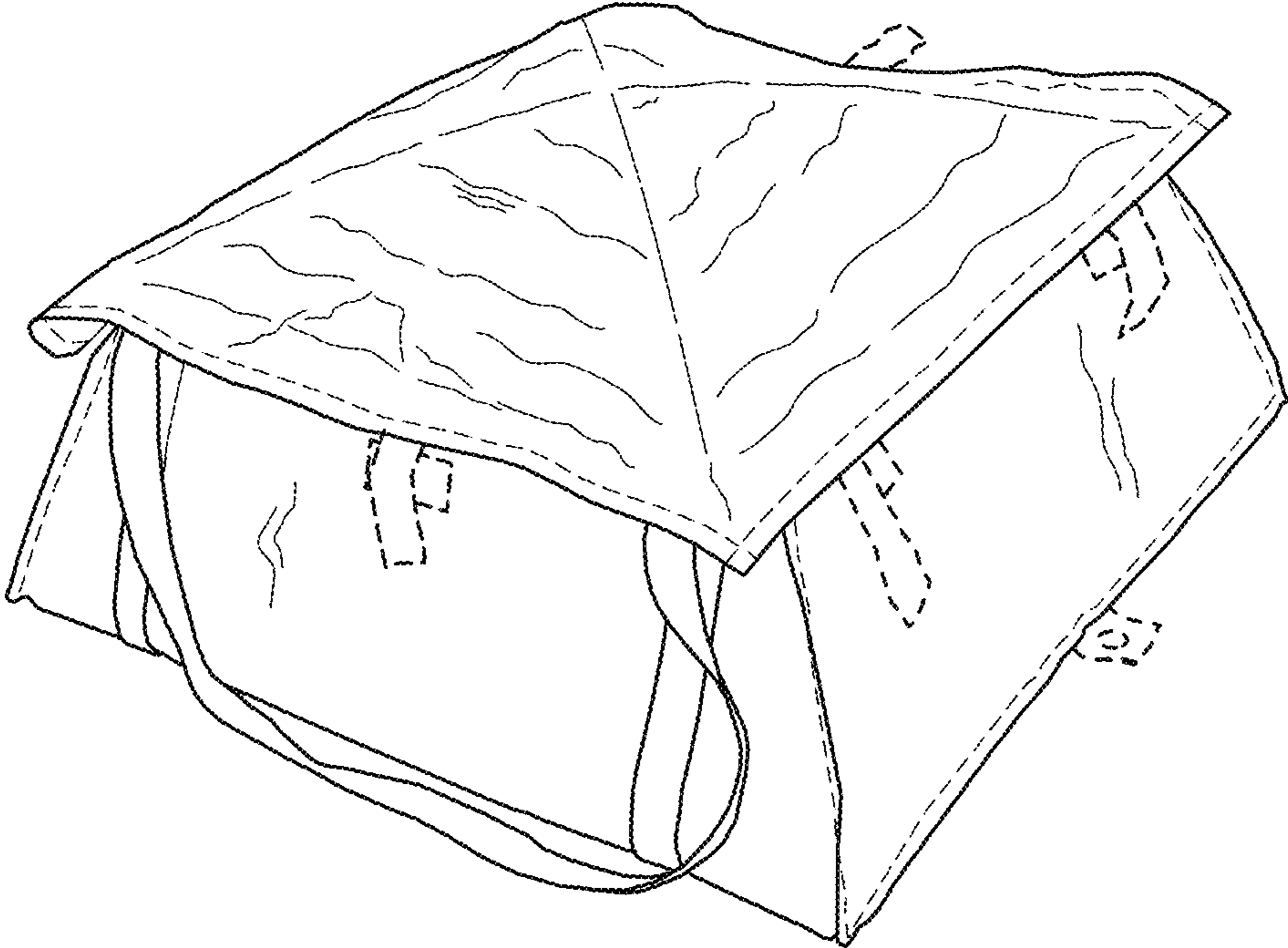


FIG. 1

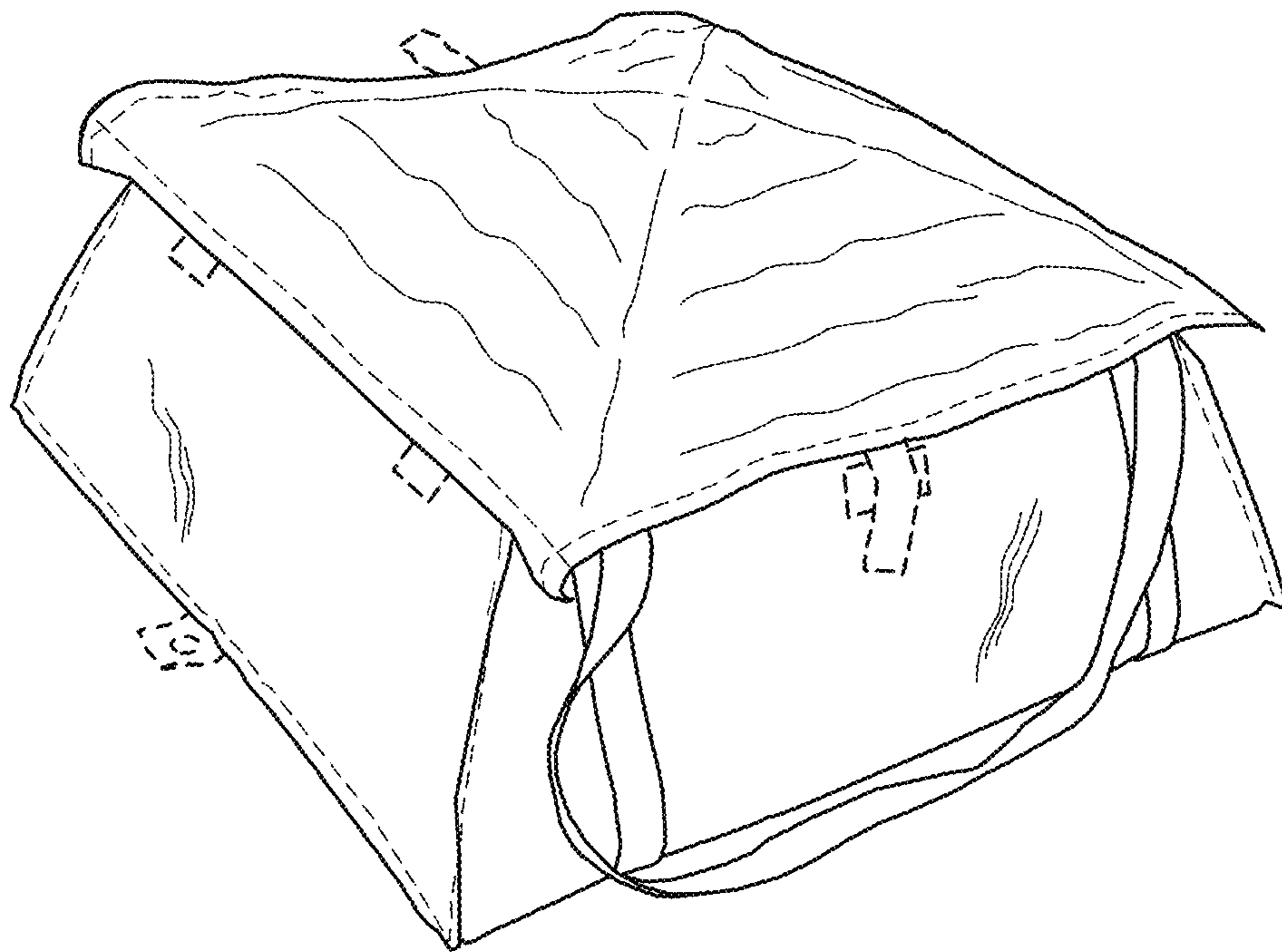


FIG. 2

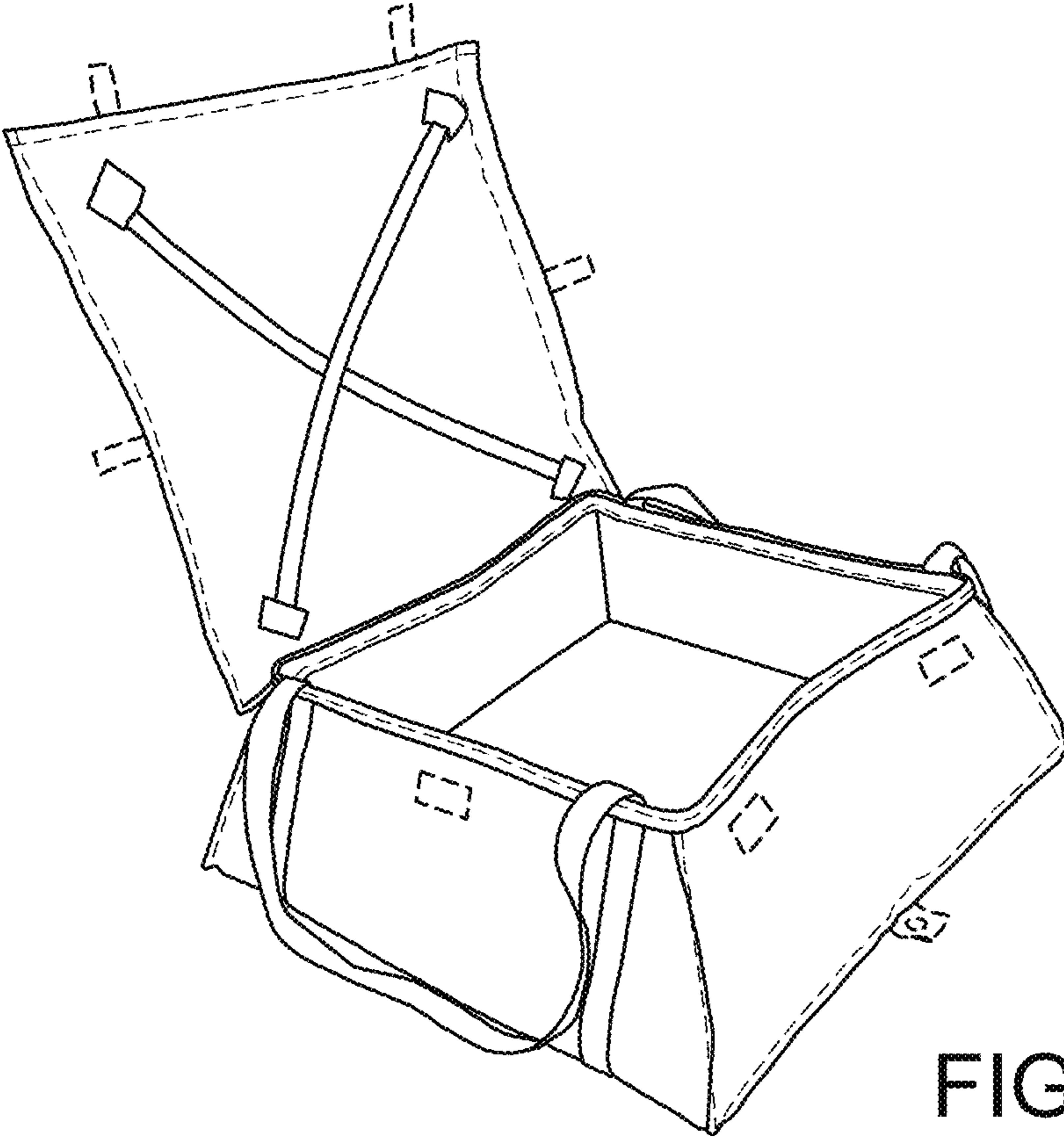


FIG. 3

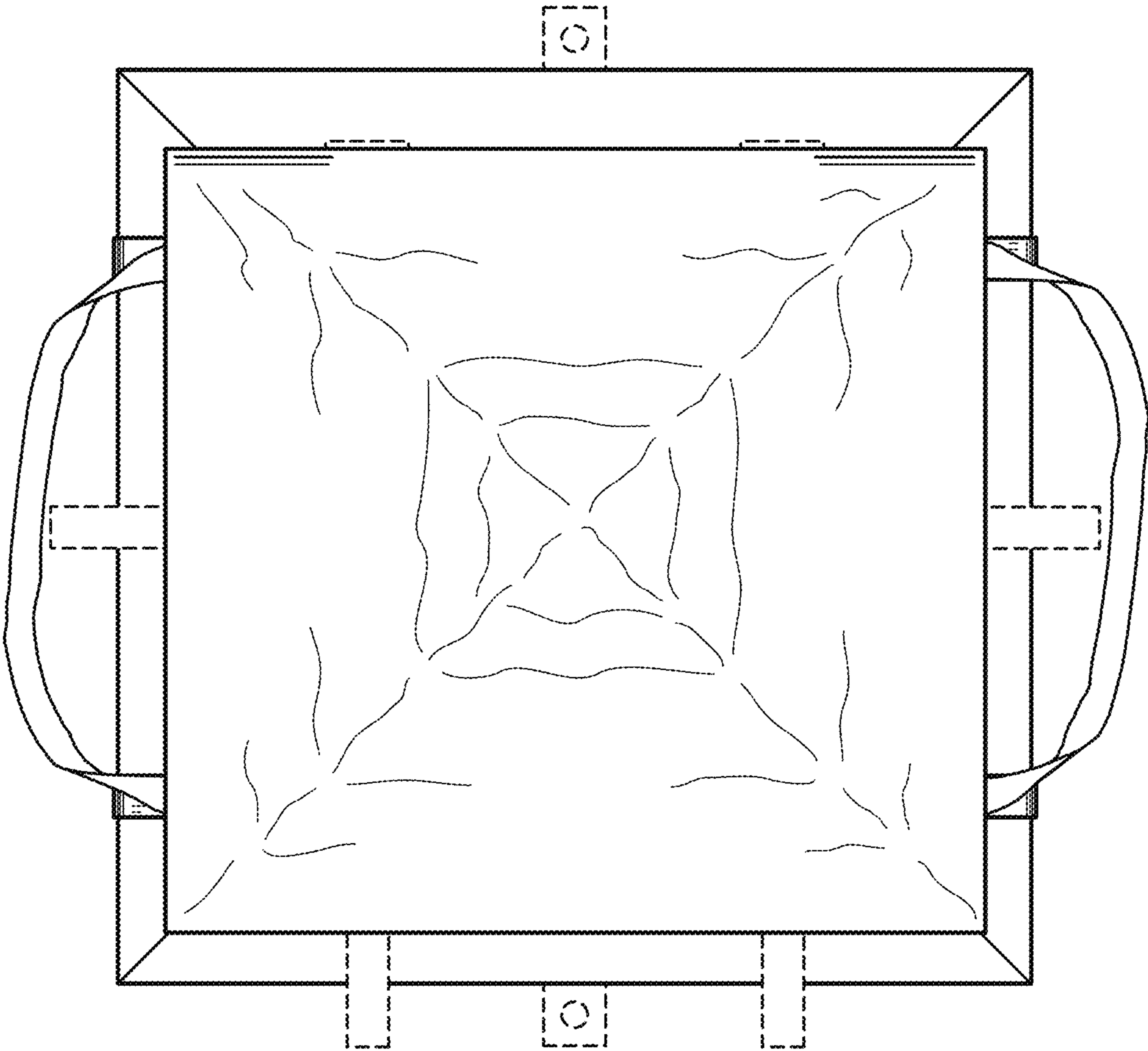


FIG. 4

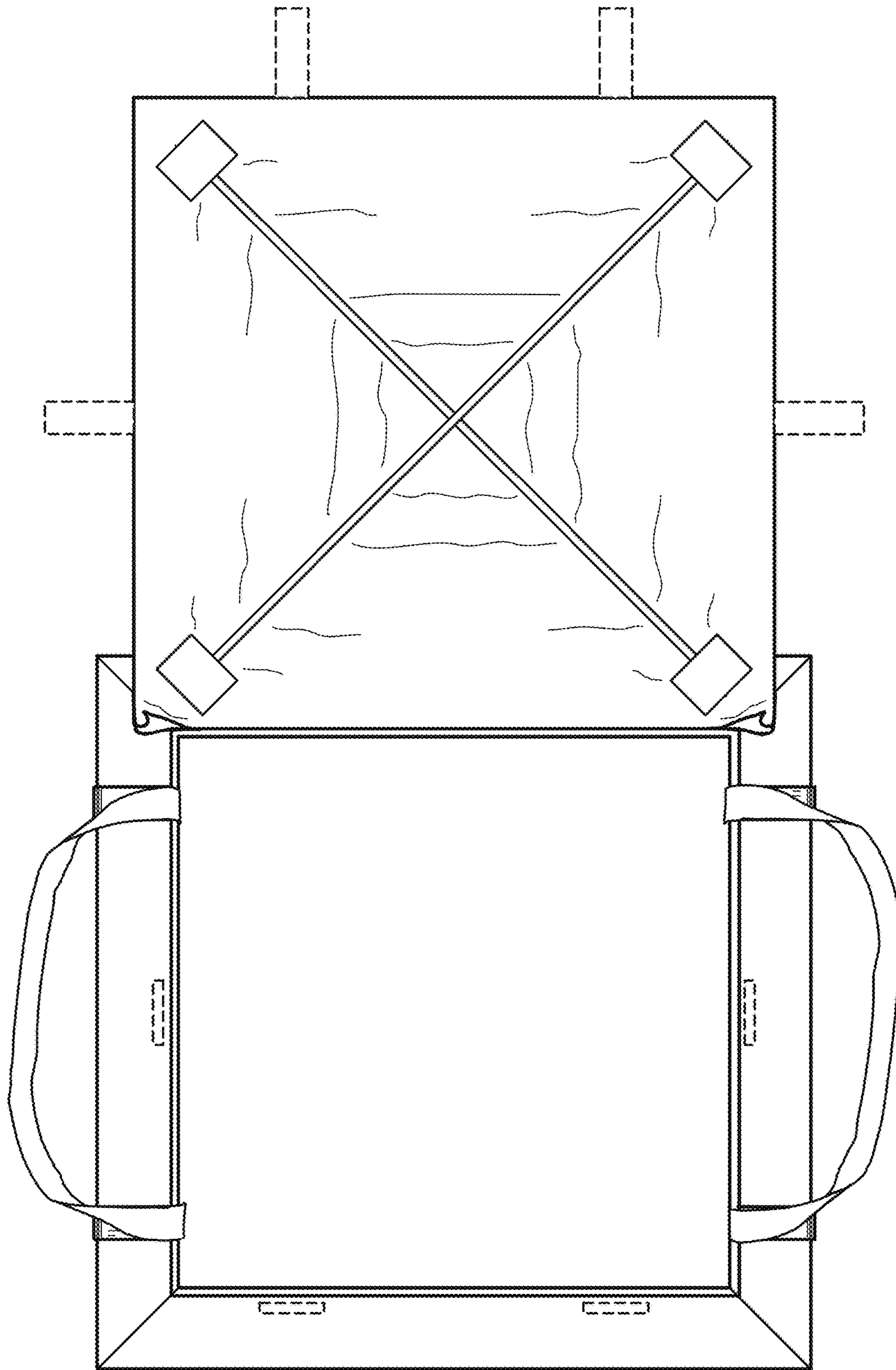


FIG. 5

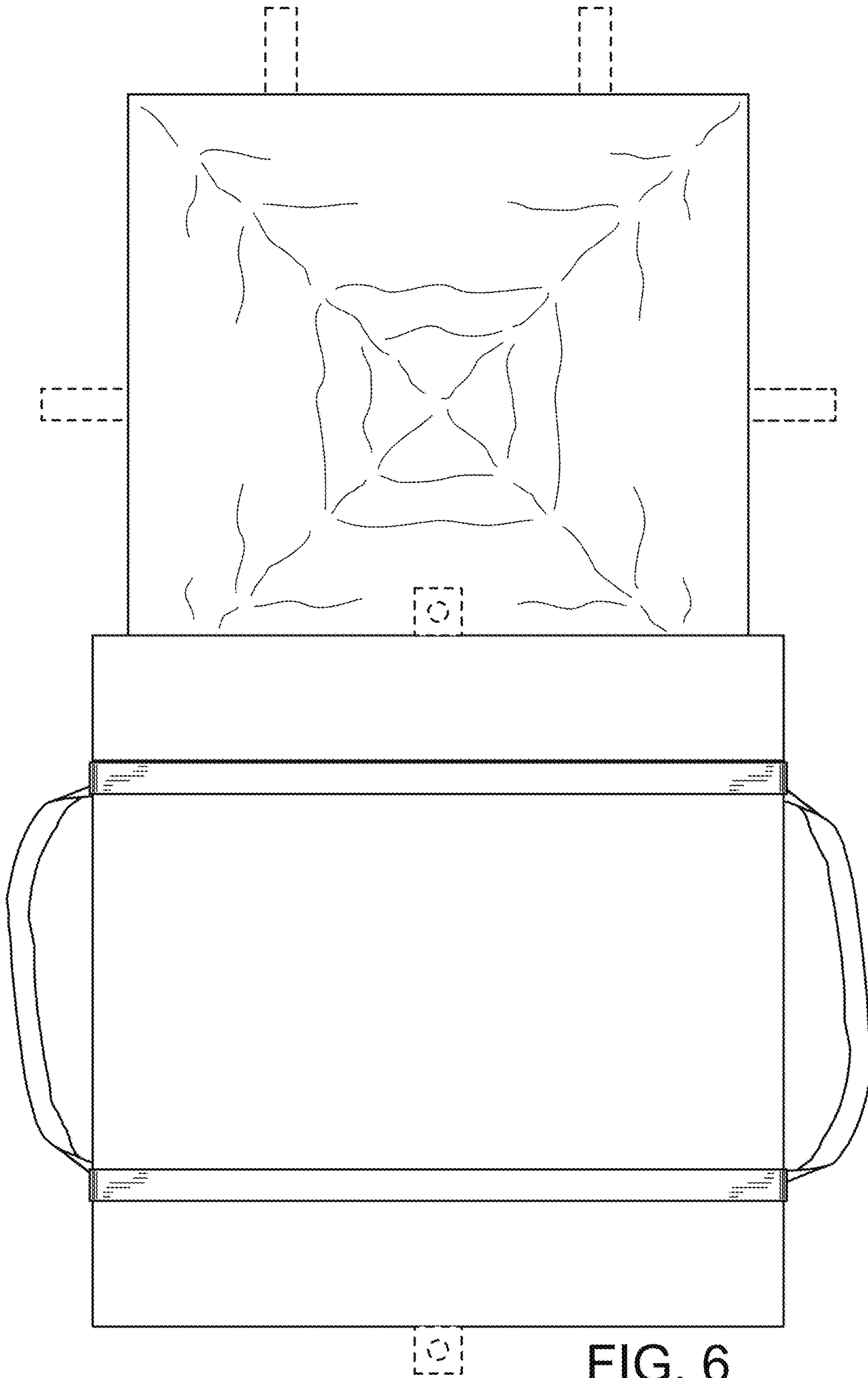


FIG. 6