



US00D825874S

(12) **United States Design Patent** (10) **Patent No.:** **US D825,874 S**
Johnson et al. (45) **Date of Patent:** **** Aug. 14, 2018**

(54) **DISH RACK**
(71) Applicant: **Polder Products, LLC**, Oxford, CT (US)
(72) Inventors: **Luke Johnson**, Huntington, CT (US); **Kerry Cooper**, Pleasantville, NY (US)
(73) Assignee: **POLDER PRODUCTS, LLC**, Oxford, CT (US)
(**) Term: **15 Years**
(21) Appl. No.: **29/597,600**
(22) Filed: **Mar. 17, 2017**
(51) **LOC (11) Cl.** **07-05**
(52) **U.S. Cl.**
USPC **D32/55**
(58) **Field of Classification Search**
USPC D32/55, 276, 3; D6/510, 525; D30/133; 211/41.5, 41.4, 41.3, 41.8; 361/679.4; 312/311, 333, 334.4; D7/354, 629
CPC .. A47L 15/505; A47L 15/503; A47L 15/0013; A47L 19/02; A47L 19/04; A47J 47/20
See application file for complete search history.

D555,311 S 11/2007 Yang et al.
D581,619 S 11/2008 Yang et al.
D599,068 S 8/2009 Yang et al.
D634,089 S 3/2011 Wisniewski
D640,433 S 6/2011 Pargansky
D647,678 S 10/2011 Yang et al.
D667,190 S 9/2012 Miller
D690,069 S 9/2013 Sofy et al.
D693,081 S 11/2013 Yang et al.
D695,482 S 12/2013 Huang
D696,829 S 12/2013 Huang
D720,109 S * 12/2014 Huang D32/55
D723,236 S * 2/2015 Khaitan D32/55
D732,256 S * 6/2015 Huang D32/55
D776,385 S * 1/2017 Evans D32/55
D783,216 S * 4/2017 Huang D32/55
D799,133 S * 10/2017 Wong D32/55
2005/0269273 A1 12/2005 Yang et al.
2008/0116155 A1 5/2008 Yang et al.

* cited by examiner

Primary Examiner — Austin Murphy
(74) *Attorney, Agent, or Firm* — Duane Morris LLP

(57) **CLAIM**

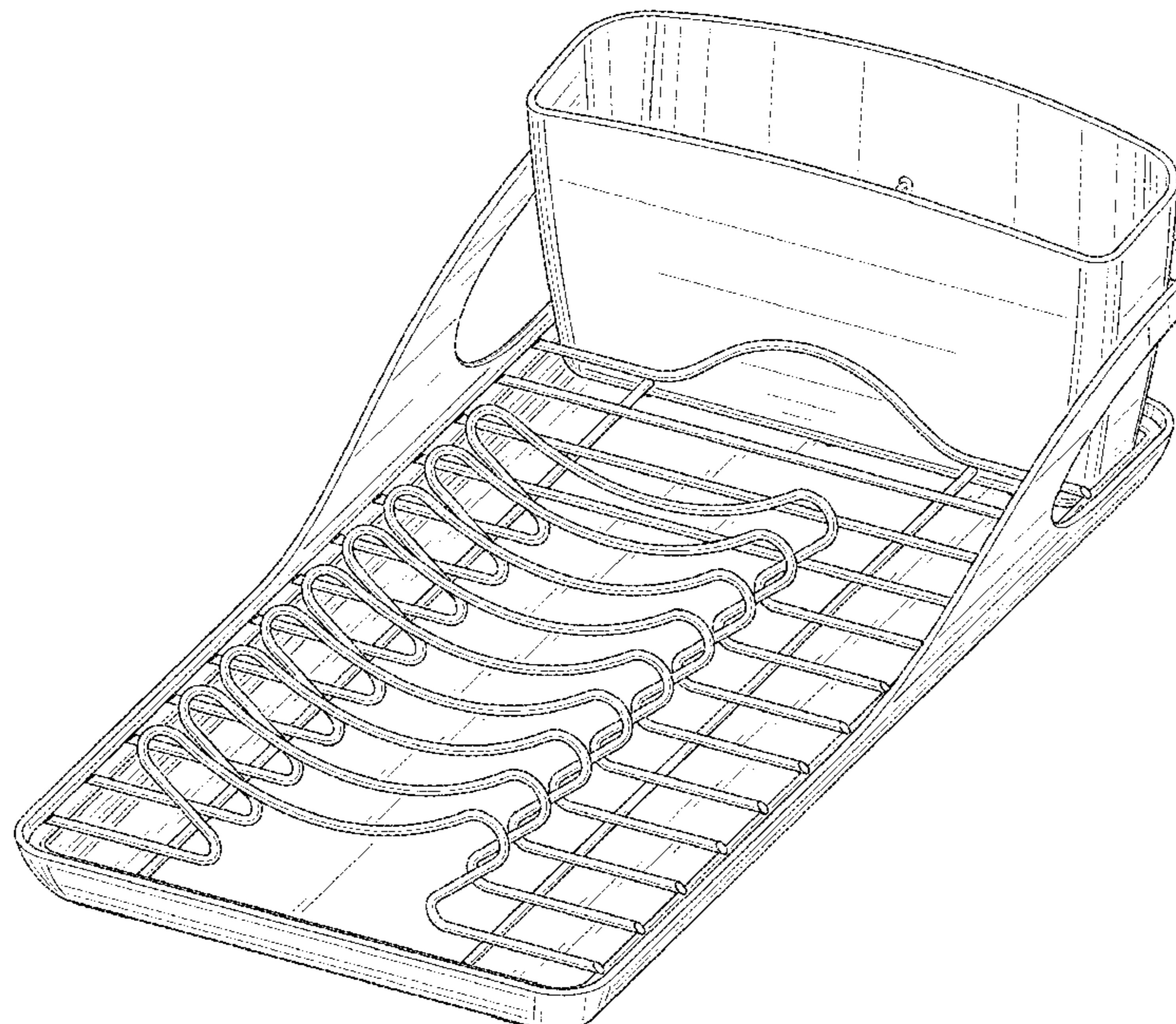
The ornamental design for a dish rack, as shown in the Figures.

DESCRIPTION

FIG. 1 is an isometric view of the dish rack; FIG. 2 is a front side view of the dish rack; FIG. 3 is a rear side view of the dish rack; FIG. 4 is a side view of the dish rack; FIG. 5 is a side view that is opposite the side view of FIG. 4 of the dish rack; FIG. 6 is a top side view of the dish rack; and, FIG. 7 is a bottom side view of the dish rack.

1 Claim, 7 Drawing Sheets

(56) **References Cited**
U.S. PATENT DOCUMENTS
D273,214 S 3/1984 Argandona
D364,018 S 11/1995 Brightbill et al.
D383,273 S 9/1997 Hampshire
D432,750 S 10/2000 Rashid
D446,369 S 8/2001 Smith et al.
D492,457 S 6/2004 Soroka
D554,818 S 11/2007 Murray
D554,819 S 11/2007 Shah
D555,310 S 11/2007 Yang et al.



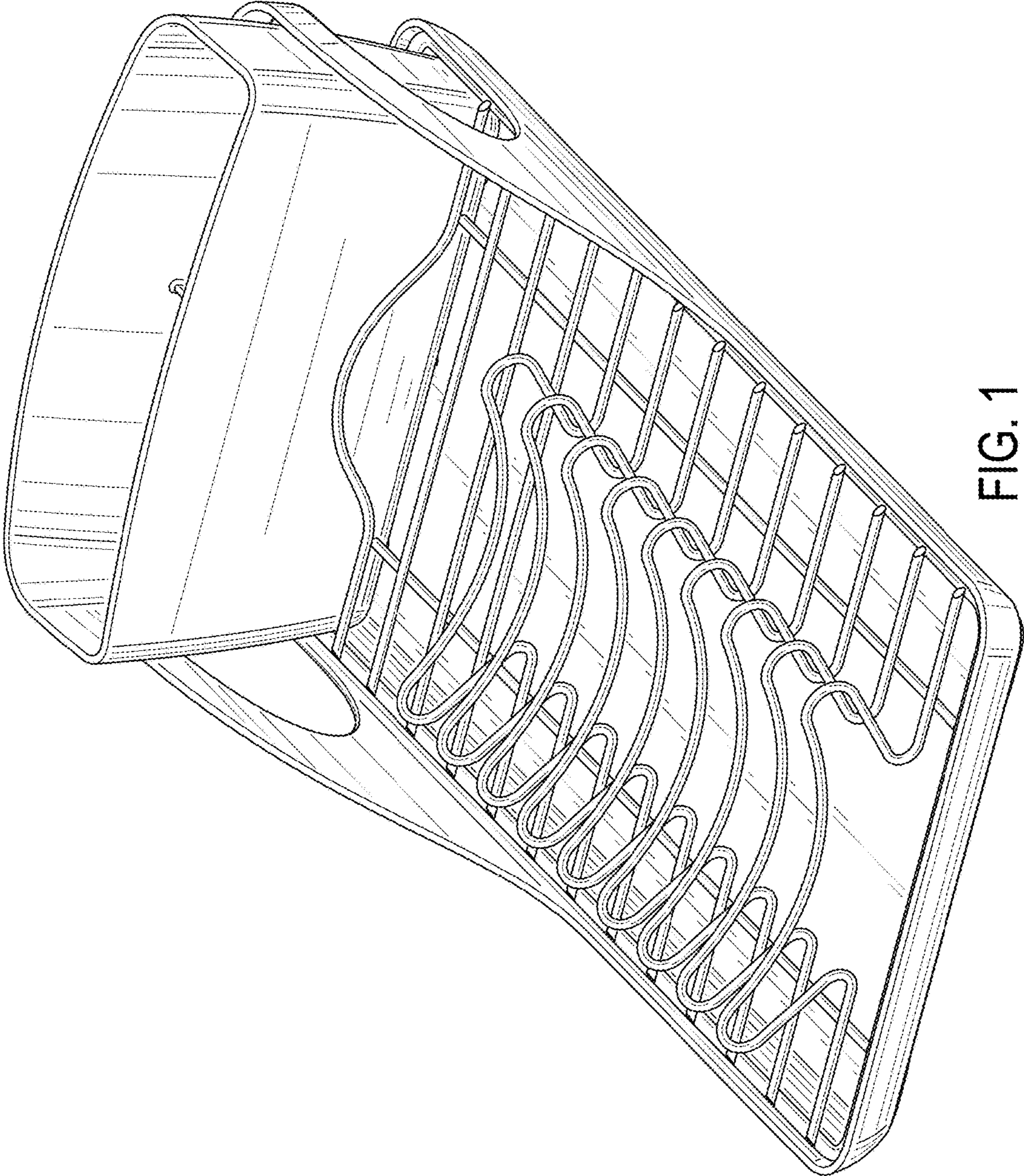


FIG. 1

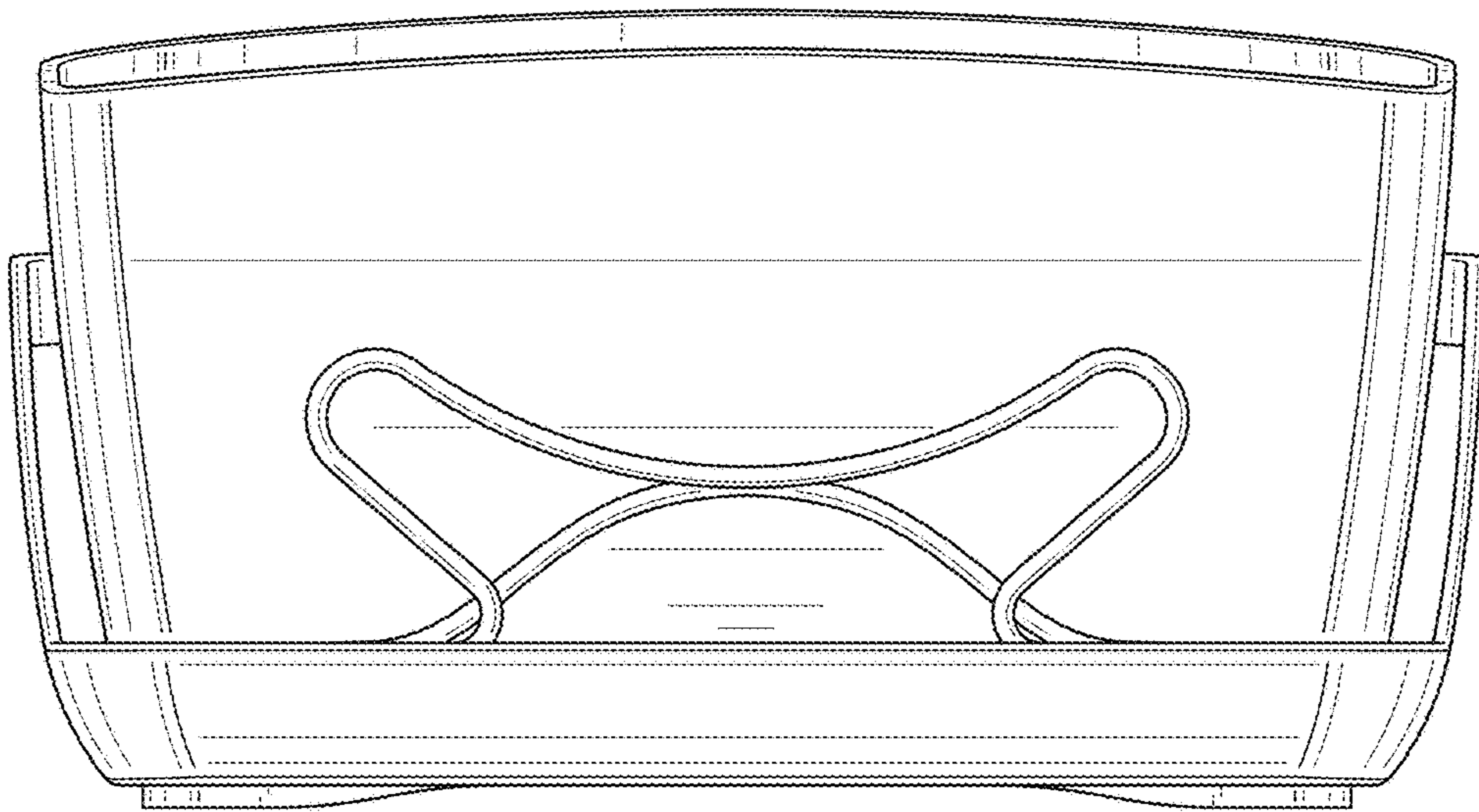


FIG. 2

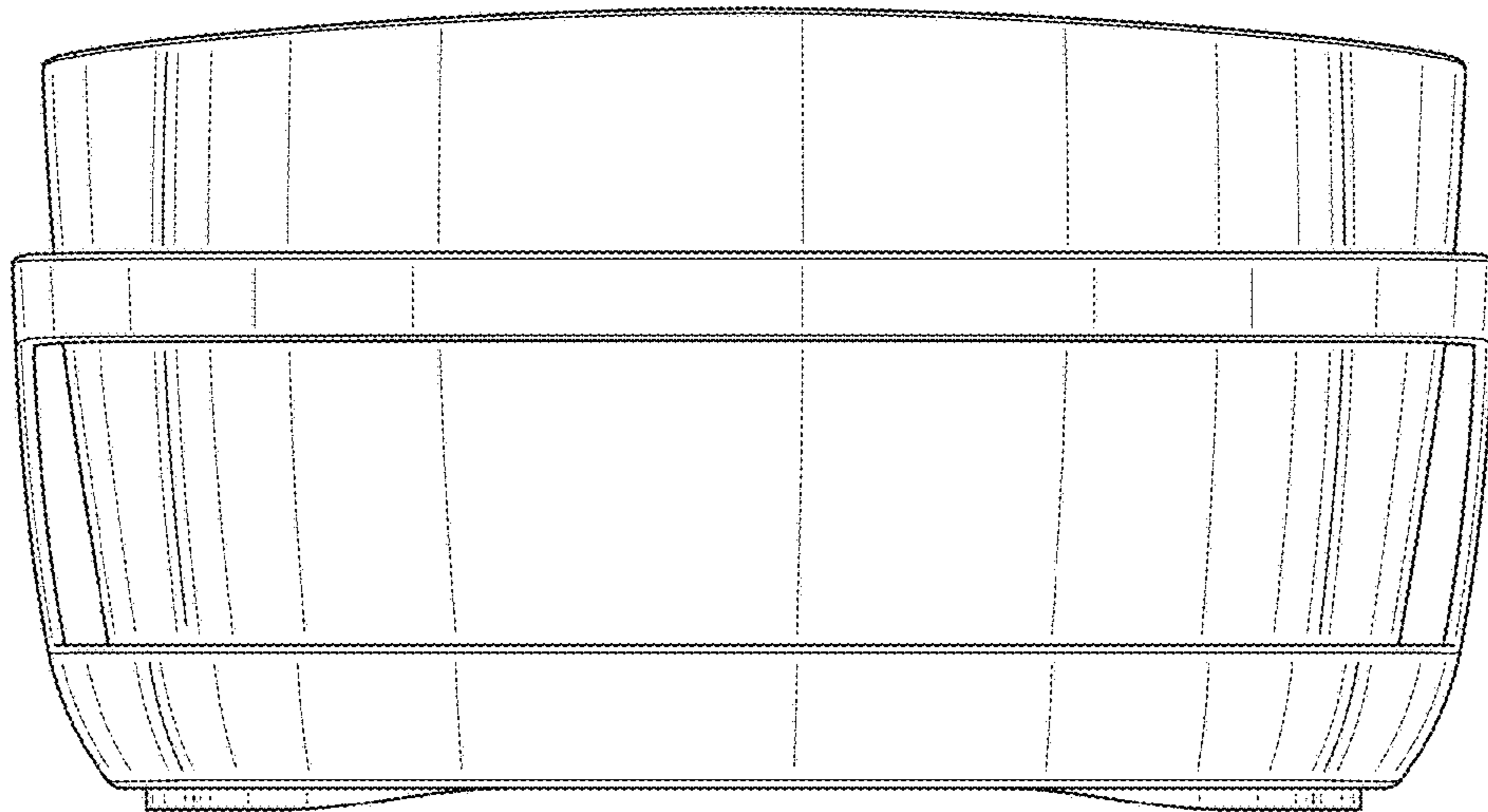


FIG. 3

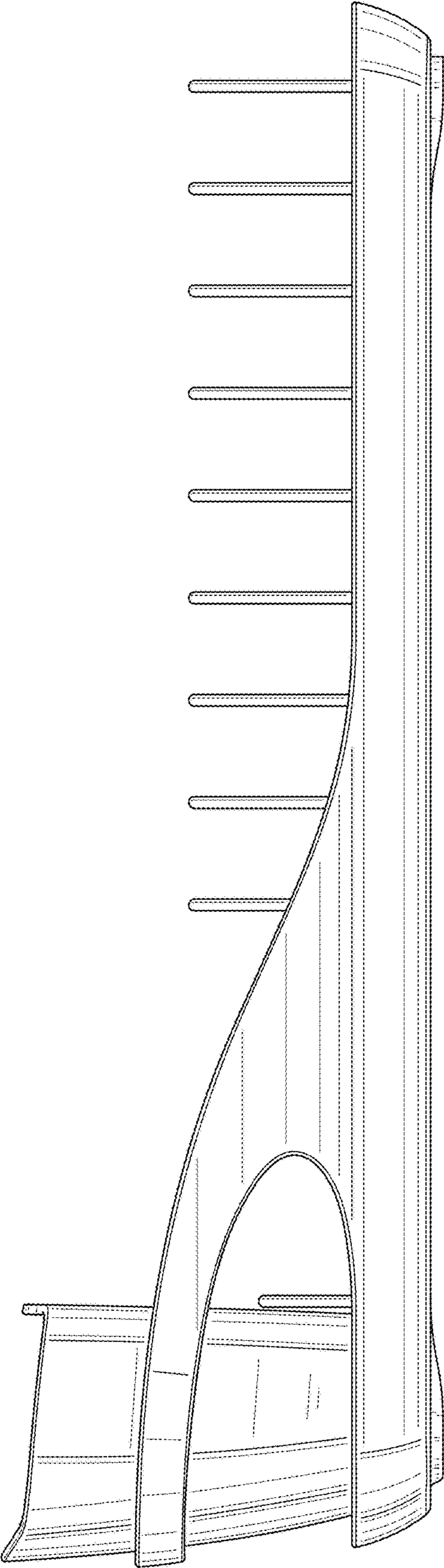


FIG. 4

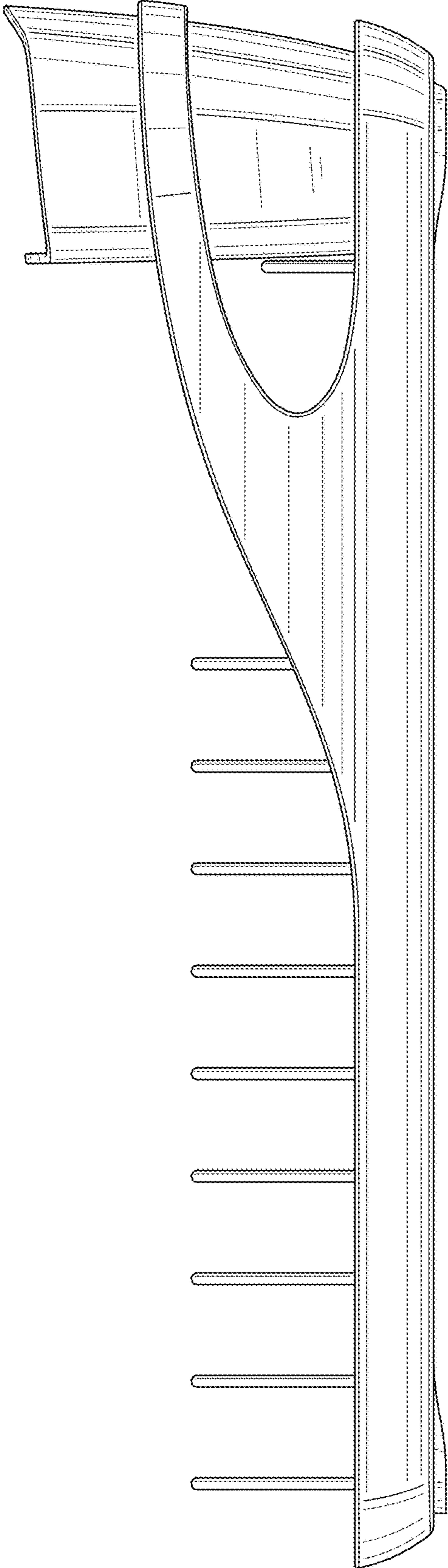


FIG. 5

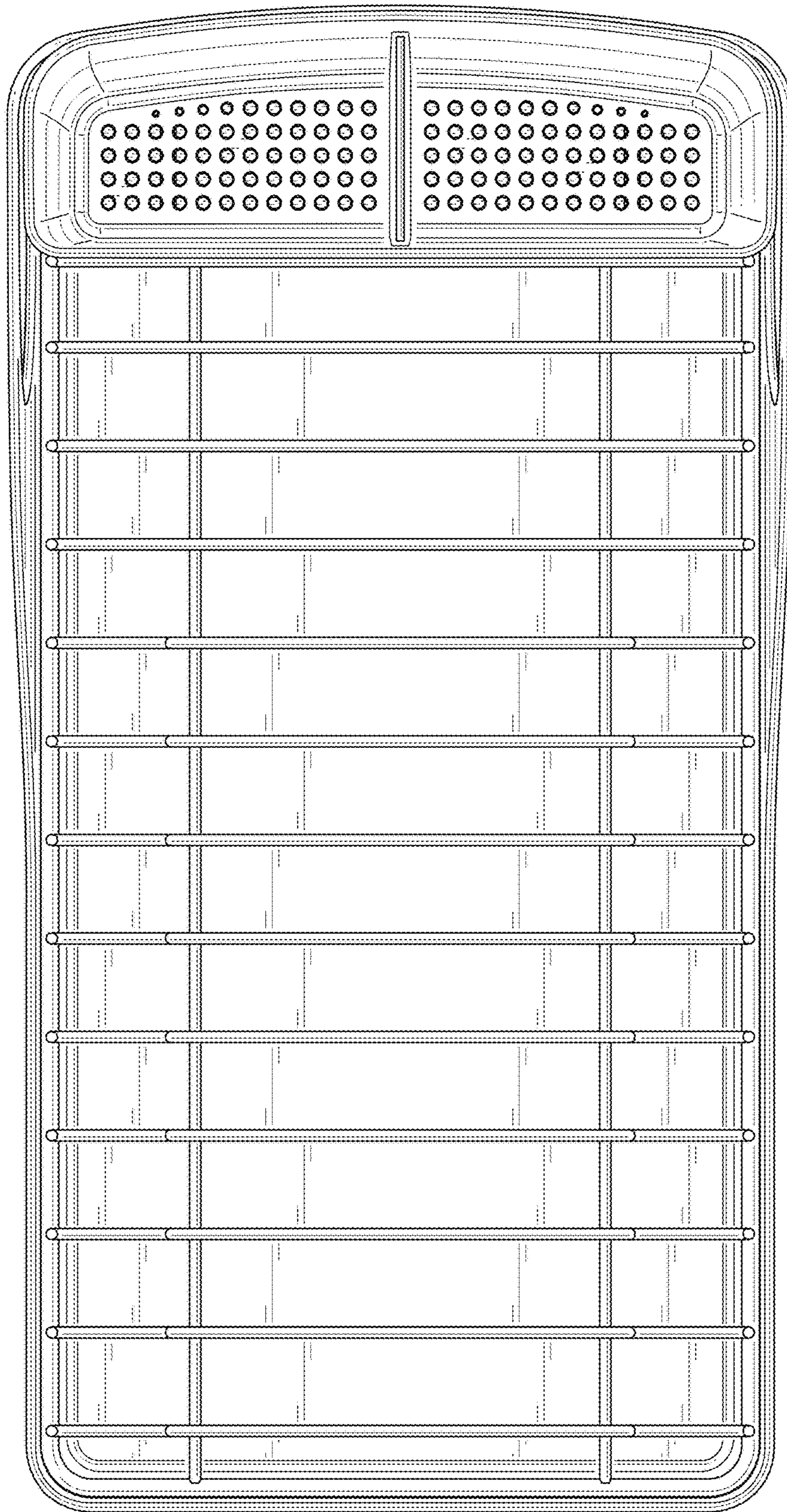


FIG. 6

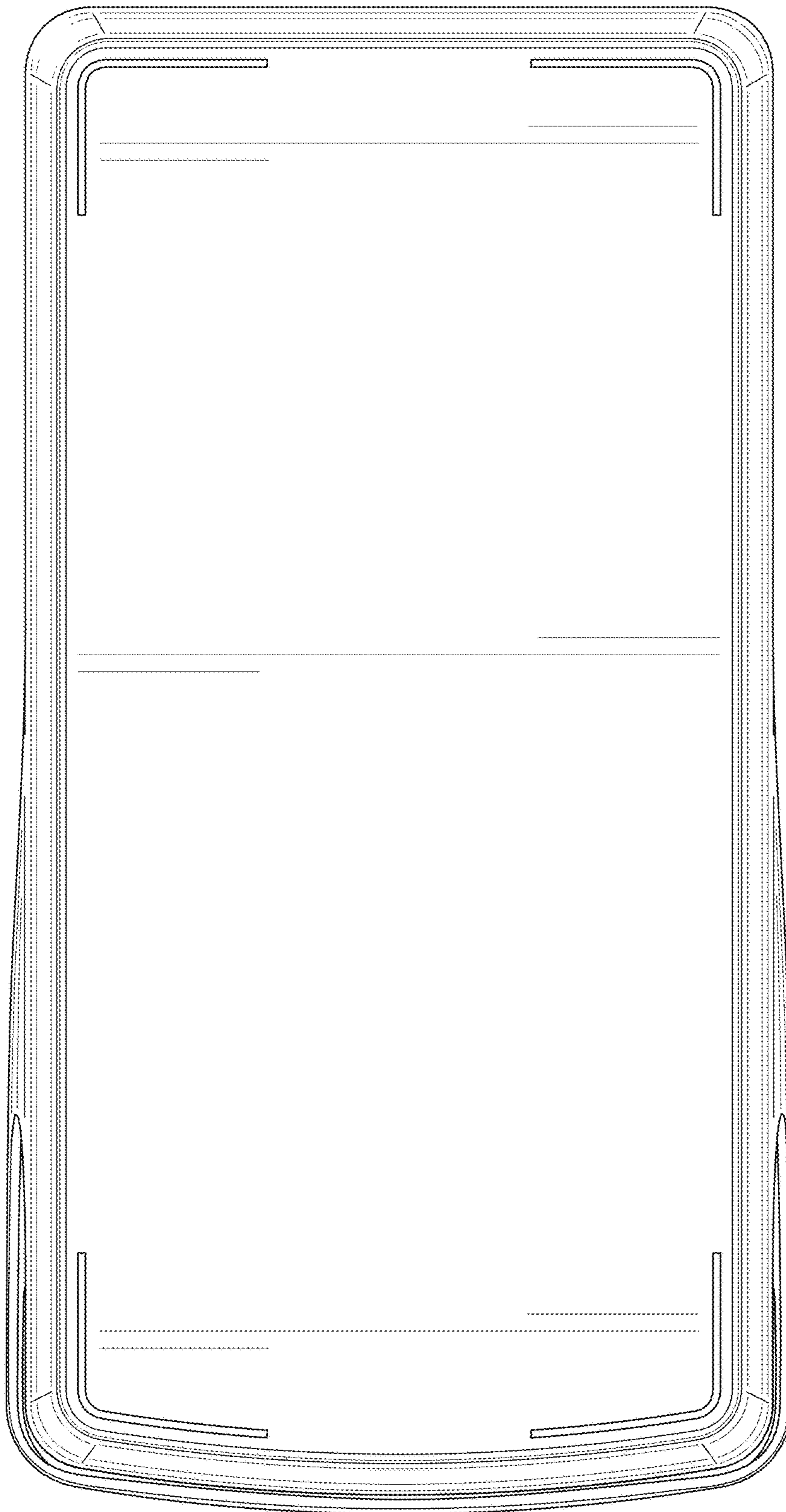


FIG. 7