



US00D825873S

(12) **United States Design Patent**
Sagkob

(10) **Patent No.:** **US D825,873 S**

(45) **Date of Patent:** **** Aug. 14, 2018**

(54) **STEAM CLEANER NOZZLE**

(71) Applicant: **Alfred Kaercher GmbH & Co. KG,**
Winnenden (DE)

(72) Inventor: **Christoph Sagkob,** Winnenden (DE)

(73) Assignee: **Alfred Kaercher GmbH & Co. KG,**
Winnenden (DE)

(**) Term: **15 Years**

(21) Appl. No.: **29/598,960**

(22) Filed: **Mar. 30, 2017**

(30) **Foreign Application Priority Data**

Oct. 27, 2016 (WO) DM/093414

(51) **LOC (11) Cl.** **15-05**

(52) **U.S. Cl.**
USPC **D32/32**

(58) **Field of Classification Search**
USPC D32/17, 31-33, 25
CPC ... A47L 9/02; A47L 9/242; A47L 9/24; A47L
9/06; A47L 9/0626; A47L 11/4044; A47L
11/34; A47L 11/4086; A47L 5/34; A47L
5/362; A47L 5/36; A47L 5/14
See application file for complete search history.

(56) **References Cited**

U.S. PATENT DOCUMENTS

D507,854 S * 7/2005 Kim D32/32
D556,963 S * 12/2007 Houghton D32/32

D649,725 S * 11/2011 Fjellman D32/32
D698,510 S * 1/2014 Chu D32/32
D706,504 S * 6/2014 Park D32/33
D770,711 S * 11/2016 Okada D32/32
D776,380 S * 1/2017 Yoneda D32/32
D787,766 S * 5/2017 Nam D32/32
D789,007 S * 6/2017 Jang D32/32

OTHER PUBLICATIONS

Photographs of Alfred Kaercher GmbH and Co. KG products, 17 pages.
Photographs of De'Longhi Appliances s.r.l products (Ariete Division), 8 pages.
Photographs of POLTI Spa products, 12 pages.

* cited by examiner

Primary Examiner — Ruth McInroy

(74) *Attorney, Agent, or Firm* — Lipsitz & McAllister, LLC

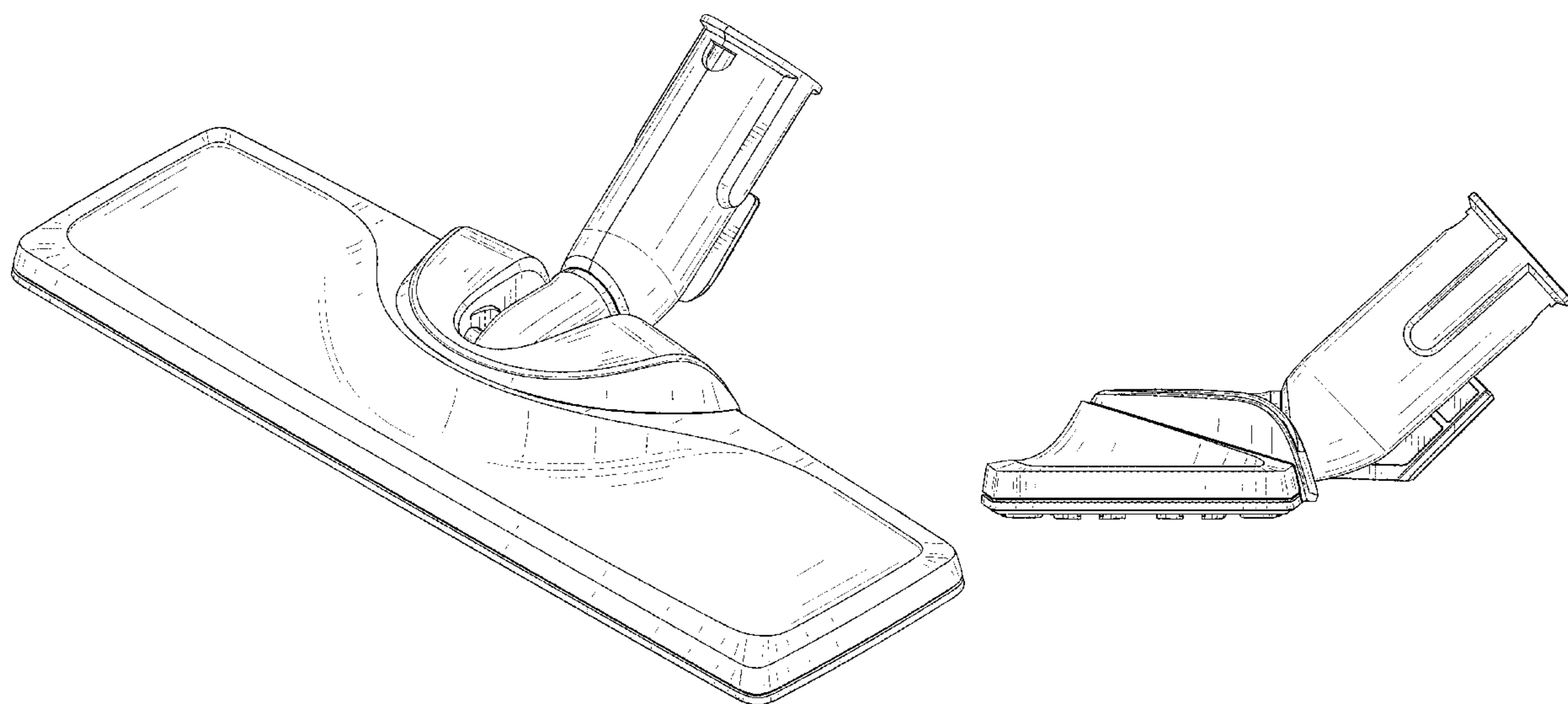
(57) **CLAIM**

The ornamental design for a steam cleaner nozzle, as shown and described.

DESCRIPTION

FIG. 1 is a front and left side perspective view of a steam cleaner nozzle showing the new design;
FIG. 2 is a front and right side perspective view thereof;
FIG. 3 is a front elevational view thereof;
FIG. 4 is a left side elevational view thereof;
FIG. 5 is a rear elevational view thereof;
FIG. 6 is a right side elevational view thereof; and,
FIG. 7 is a top plan view thereof.

1 Claim, 7 Drawing Sheets



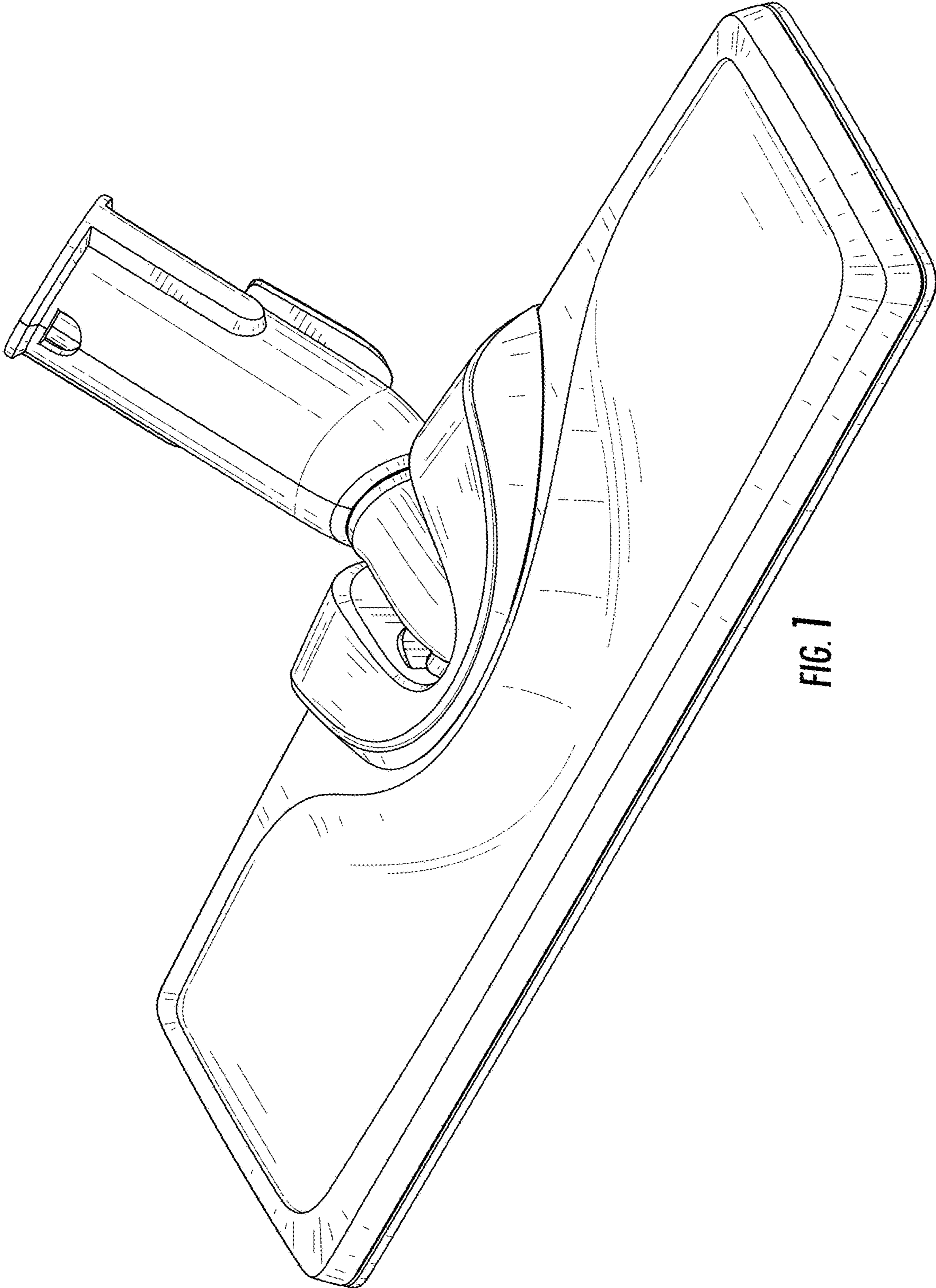


FIG. 1

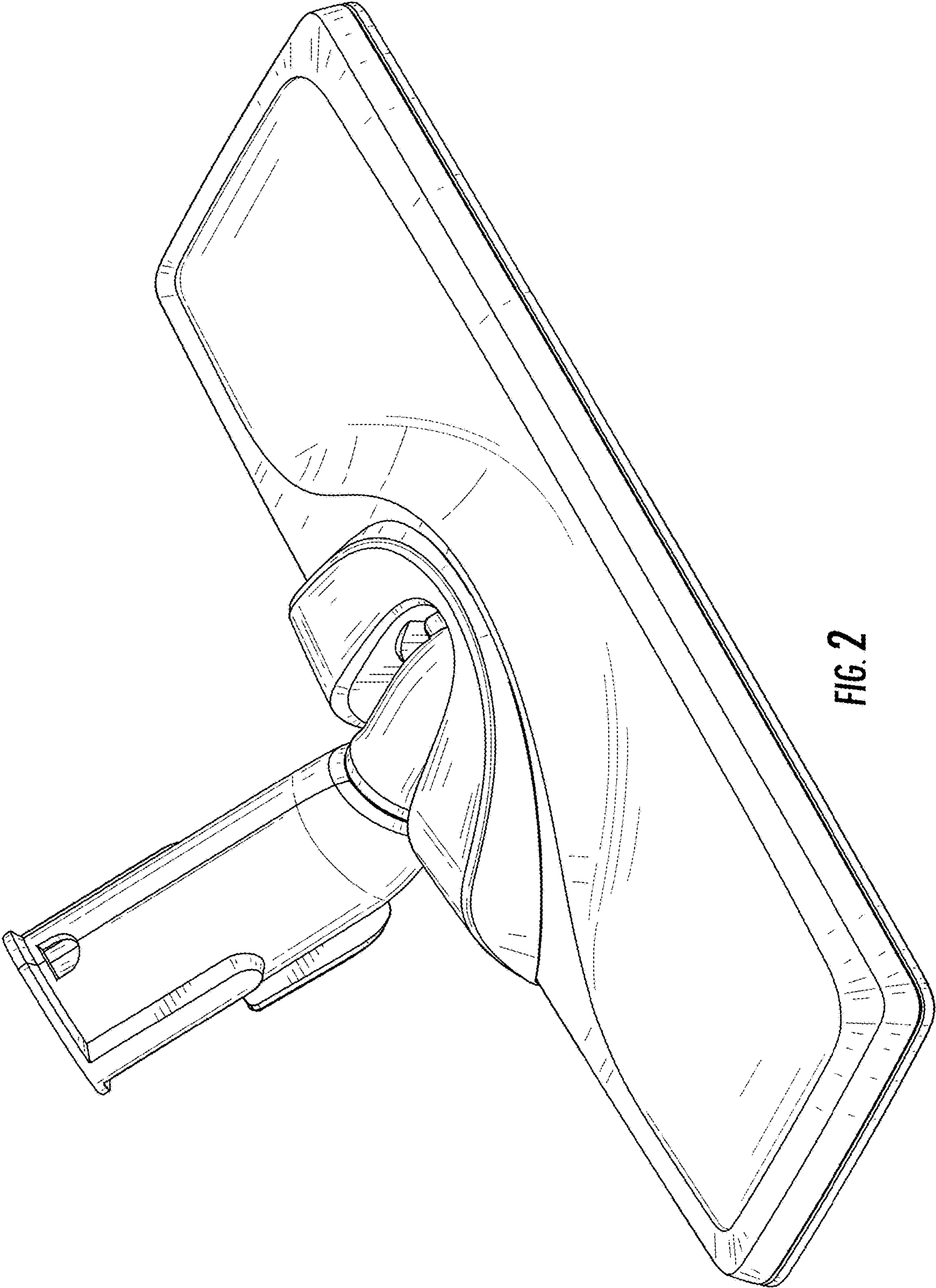


FIG. 2

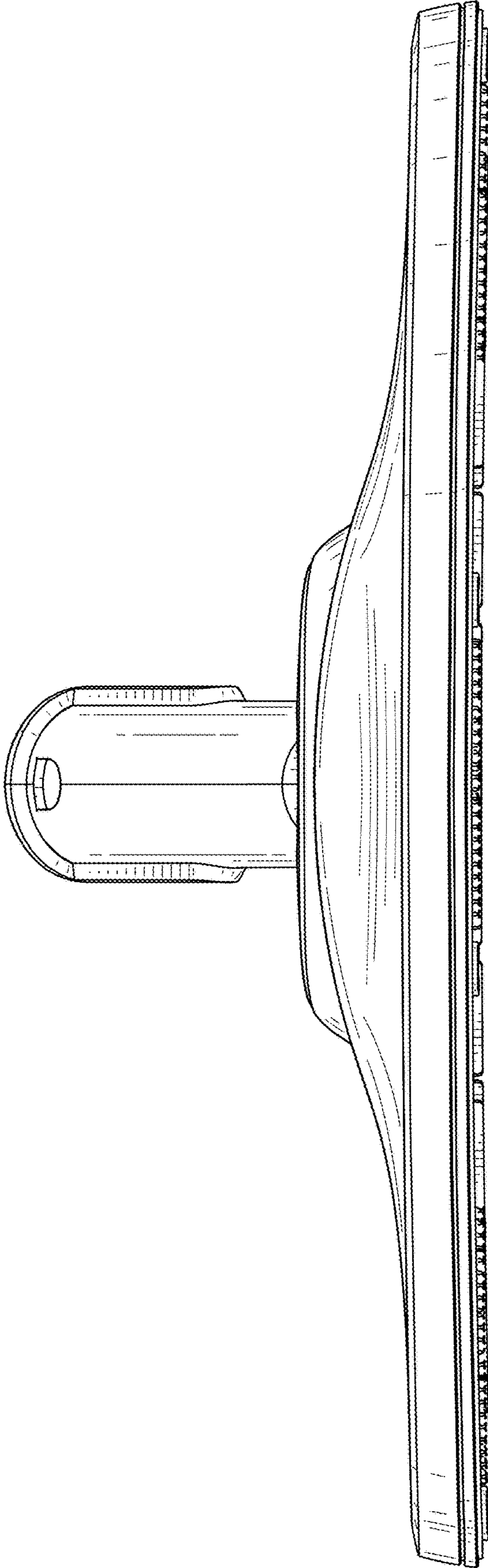


FIG. 3

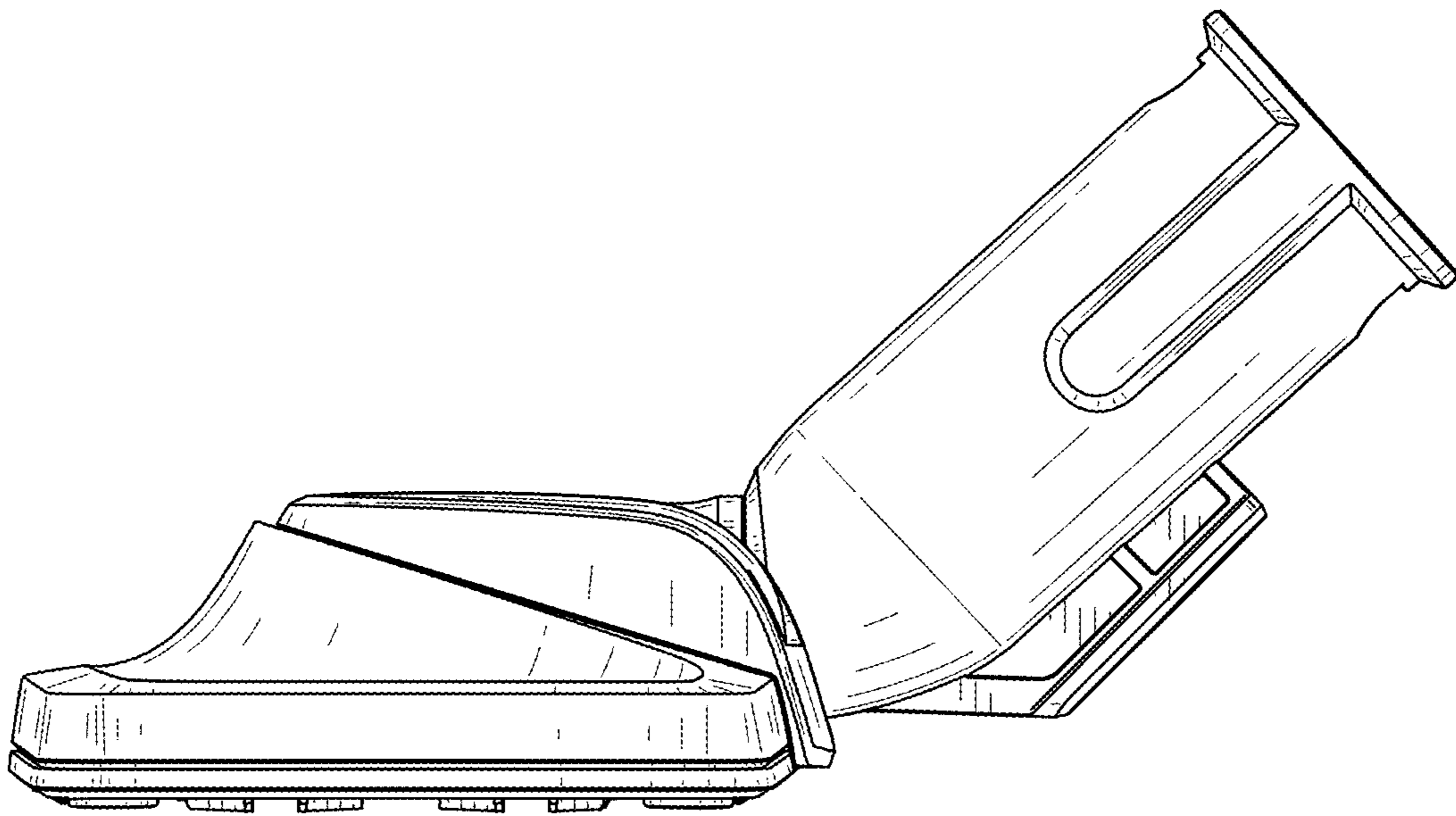


FIG. 4

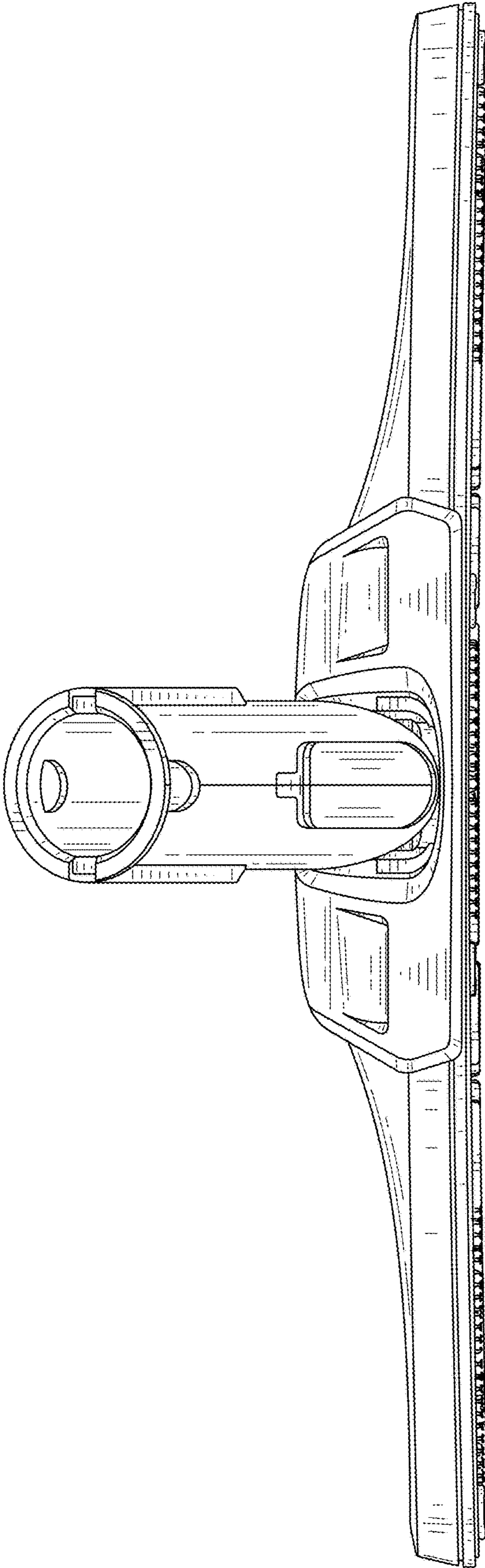


FIG. 5

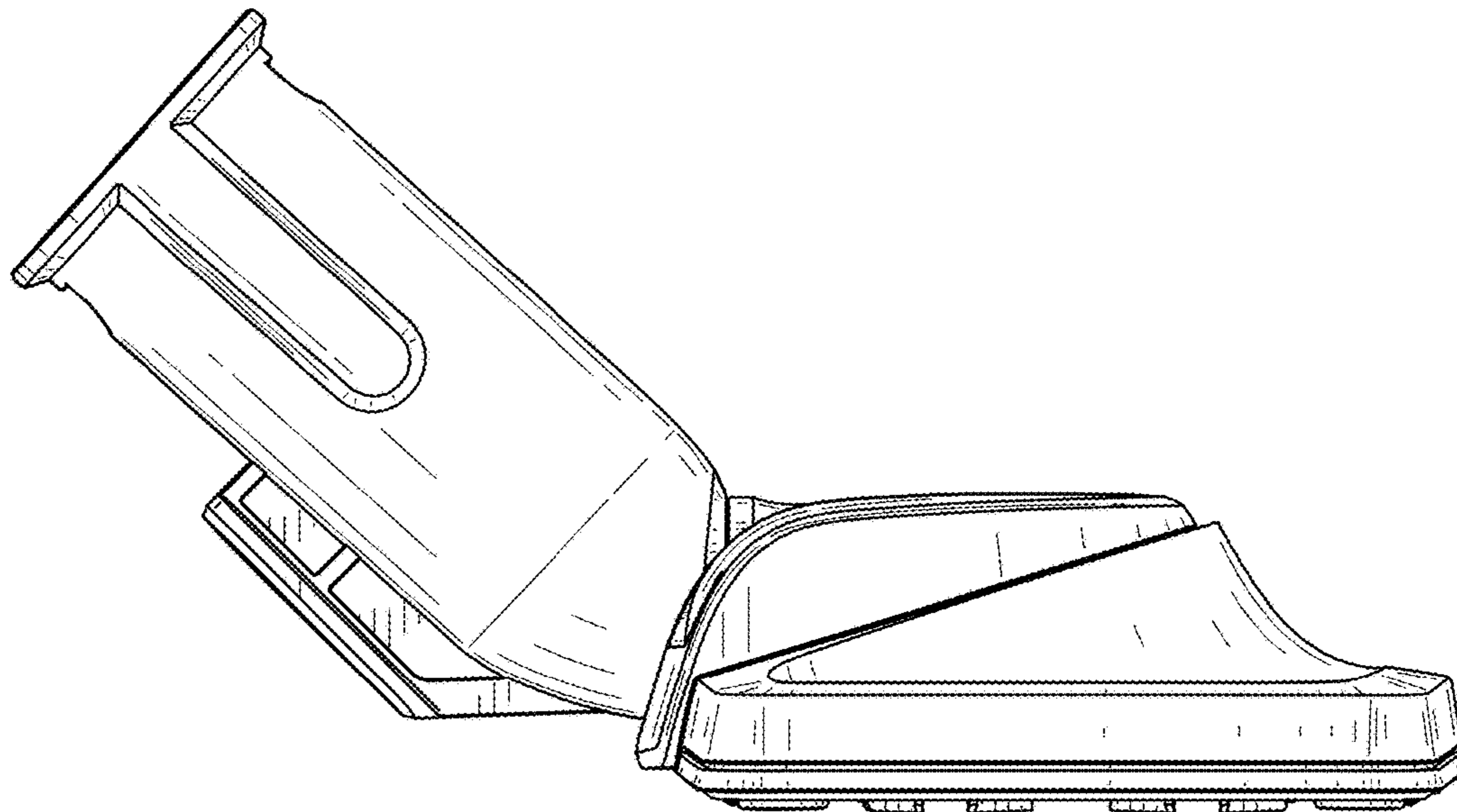


FIG. 6

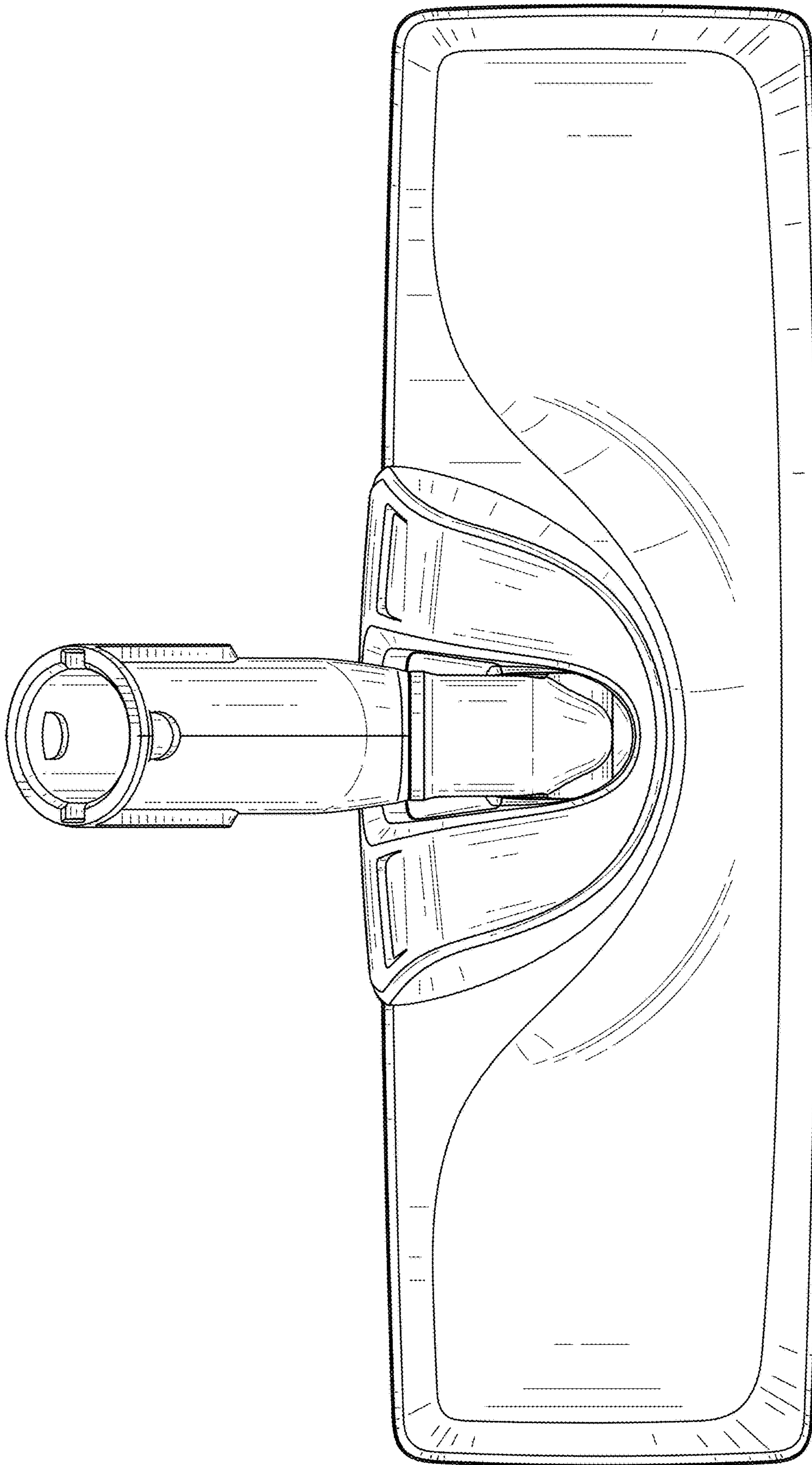


FIG. 7