



US00D825872S

(12) **United States Design Patent**
Ko et al.

(10) **Patent No.:** **US D825,872 S**
(45) **Date of Patent:** **** Aug. 14, 2018**

(54) **WASHING MACHINE**
(71) Applicant: **Samsung Electronics Co., Ltd.**,
Suwon-si (KR)
(72) Inventors: **Gihoon Ko**, Seoul (KR); **Yeonyoung Nam**, Goyang-si (KR); **Simon Edward Ireland**, Seongnam-si (KR); **Jihyeoung Lee**, Seoul (KR)
(73) Assignee: **Samsung Electronics Co., Ltd.**,
Suwon-si (KR)

2,969,072 A * 1/1961 Barritt A47L 15/4409
134/165
4,444,730 A * 4/1984 Renders D06F 39/02
422/264
4,530,370 A * 7/1985 Horkey A01J 7/022
134/57 R
D306,224 S * 2/1990 Nystuen D32/3
4,917,272 A * 4/1990 Ikeda B65D 88/68
222/231
D308,738 S * 6/1990 Nystuen D32/3
D308,739 S * 6/1990 Nystuen D32/3
(Continued)

(**) Term: **15 Years**

(21) Appl. No.: **29/609,616**

(22) Filed: **Jul. 3, 2017**

(30) **Foreign Application Priority Data**

Jan. 4, 2017 (KR) 30-2017-0000503

(51) **LOC (11) Cl.** **15-05**

(52) **U.S. Cl.**
USPC **D32/29.1**

(58) **Field of Classification Search**
USPC D32/1, 5-6, 8, 25, 28, 29.1
CPC D06F 33/02; D06F 39/02; D06F 2204/065;
D06F 25/00; D06F 35/006; D06F 39/028;
D06F 39/08; D06F 39/022; D06F
2204/02; D06F 2202/085; A47L 15/4409;
A47L 15/4418; A01J 7/022; A47K
5/1214; B67C 11/02; B65D 88/68
See application file for complete search history.

(56) **References Cited**

U.S. PATENT DOCUMENTS

2,679,850 A * 6/1954 Kamp A47L 15/4409
134/93
2,812,881 A * 11/1957 Karig A47L 15/4409
134/93

FOREIGN PATENT DOCUMENTS

CN 201530510504 6/2016
CN 201530514651 6/2016

(Continued)

Primary Examiner — Michelle E. Wilson

(74) *Attorney, Agent, or Firm* — NSIP Law

(57) **CLAIM**

We claim the ornamental design for a washing machine, as shown and described.

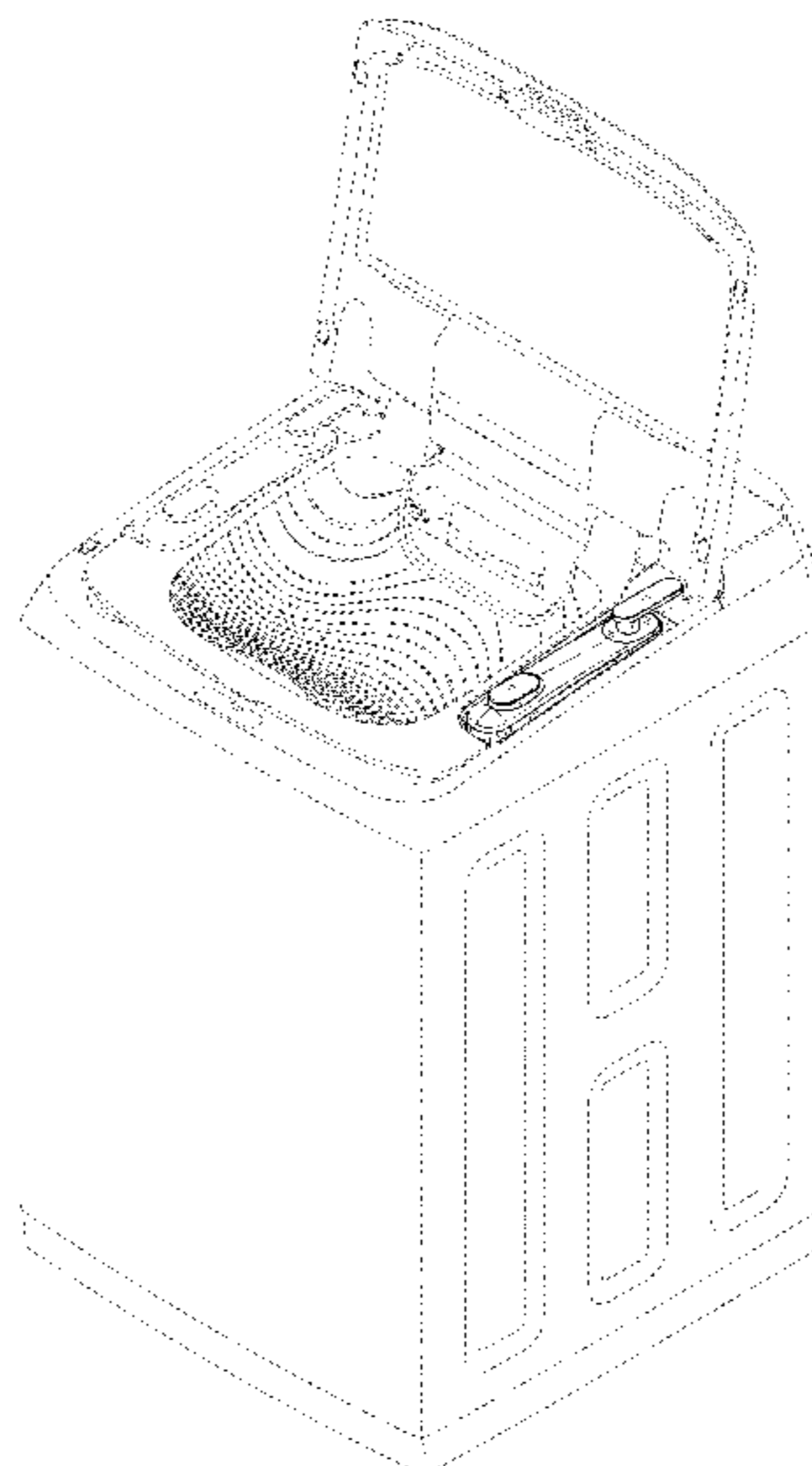
DESCRIPTION

FIG. 1 is a front perspective view of a washing machine showing our new design;
FIG. 2 is a front view thereof;
FIG. 3 is a rear view thereof;
FIG. 4 is a left-side view thereof;
FIG. 5 is a right-side view thereof;
FIG. 6 is a top view thereof; and,
FIG. 7 is a bottom view thereof.

The broken lines in the figures depict environmental subject matter and form no part of the claimed design.

The dot-dash broken lines in the figures illustrate a boundary of the claimed design and form no part of the claimed design.

1 Claim, 7 Drawing Sheets



(56)

References Cited

U.S. PATENT DOCUMENTS

5,063,757 A * 11/1991 Ikeda D06F 39/026
 222/236
 5,271,251 A * 12/1993 Kovich D06F 35/006
 68/171
 5,297,596 A * 3/1994 Anson B67C 11/02
 141/331
 D352,578 S * 11/1994 Mooney D32/3
 5,460,018 A * 10/1995 Werner D06F 23/04
 475/163
 5,507,414 A * 4/1996 Ong A47K 5/1214
 211/65
 D604,466 S * 11/2009 Gaa D32/29.1
 D697,681 S * 1/2014 Chung D32/29.1
 D765,323 S * 8/2016 Choi D32/29.1
 D772,508 S * 11/2016 Burrell D32/29.1
 D772,509 S * 11/2016 Ha D32/29.1
 D787,763 S * 5/2017 Kim D32/29.1
 D787,764 S * 5/2017 Kim D32/29.1
 D788,389 S * 5/2017 Kim D32/29
 D788,390 S * 5/2017 Kim D32/29.1

D788,391 S * 5/2017 Kim D32/29.1
 D794,886 S * 8/2017 Kim D32/29.1
 D794,887 S * 8/2017 Kim D32/29.1
 D797,388 S * 9/2017 Kim D32/29.1
 D797,389 S * 9/2017 Kim D32/29.1
 D800,402 S * 10/2017 Ha D32/29.1
 D809,724 S * 2/2018 Yoon D32/29.1
 D811,029 S * 2/2018 Yoon D32/29.1
 2004/0025263 A1* 2/2004 Kim D06F 35/003
 8/159
 2006/0059958 A1* 3/2006 Byrne A47L 15/4418
 68/17 R
 2010/0095712 A1* 4/2010 Kim D06F 39/02
 68/12.18
 2015/0252514 A1* 9/2015 Seo D06F 39/028
 68/17 R

FOREIGN PATENT DOCUMENTS

EA 001261085-0003 3/2011
 EA 001989062-0001 2/2012
 KR 30-2008-0028602 2/2009

* cited by examiner

FIG. 1

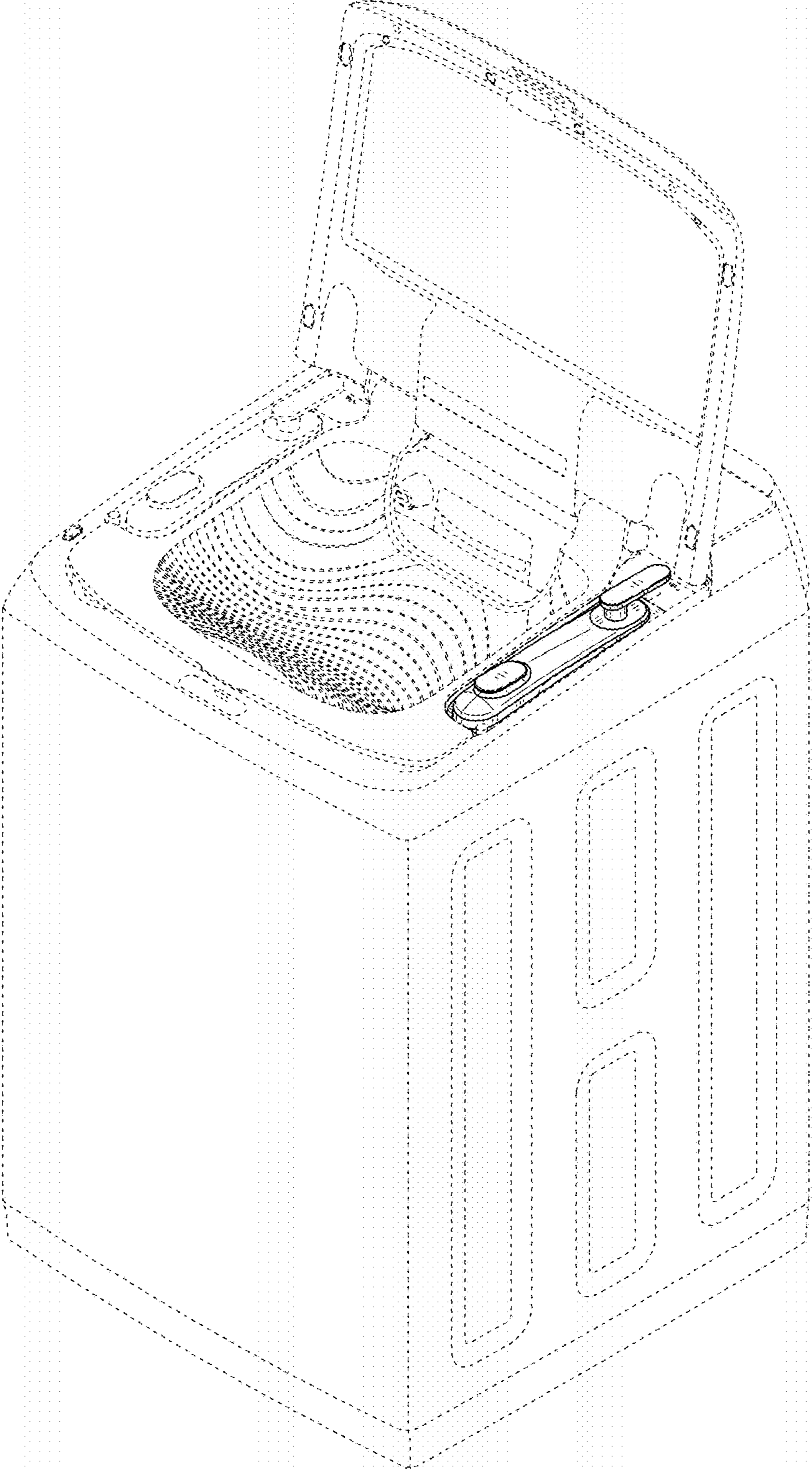


FIG. 2

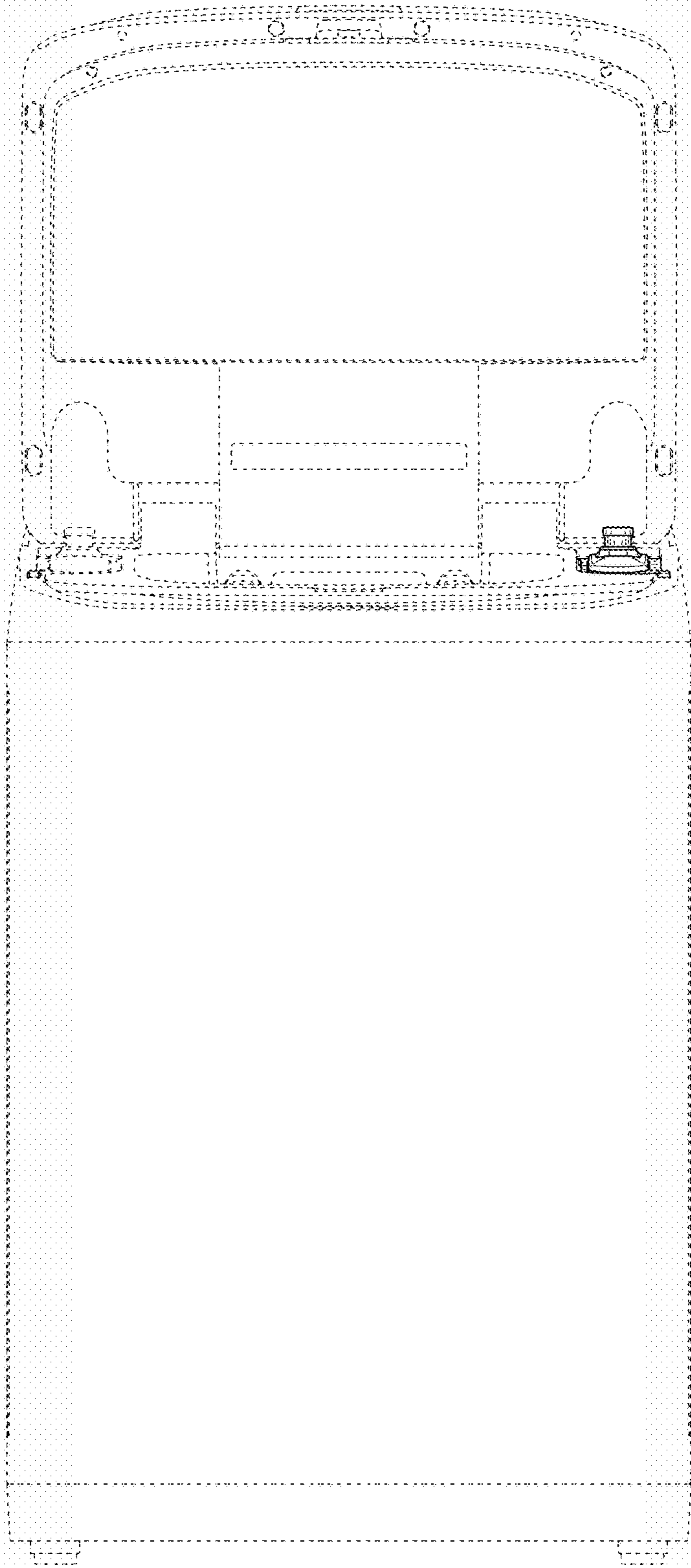


FIG. 3

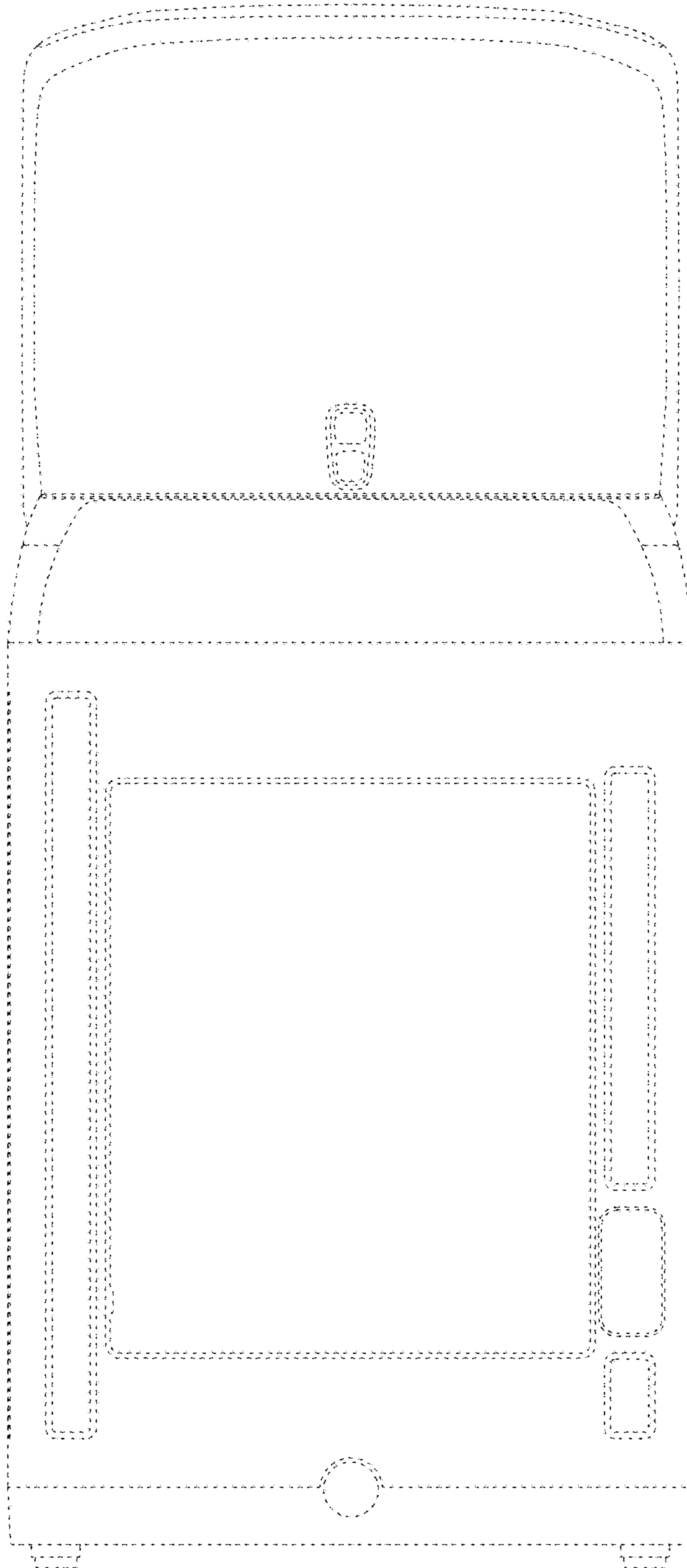


FIG. 4

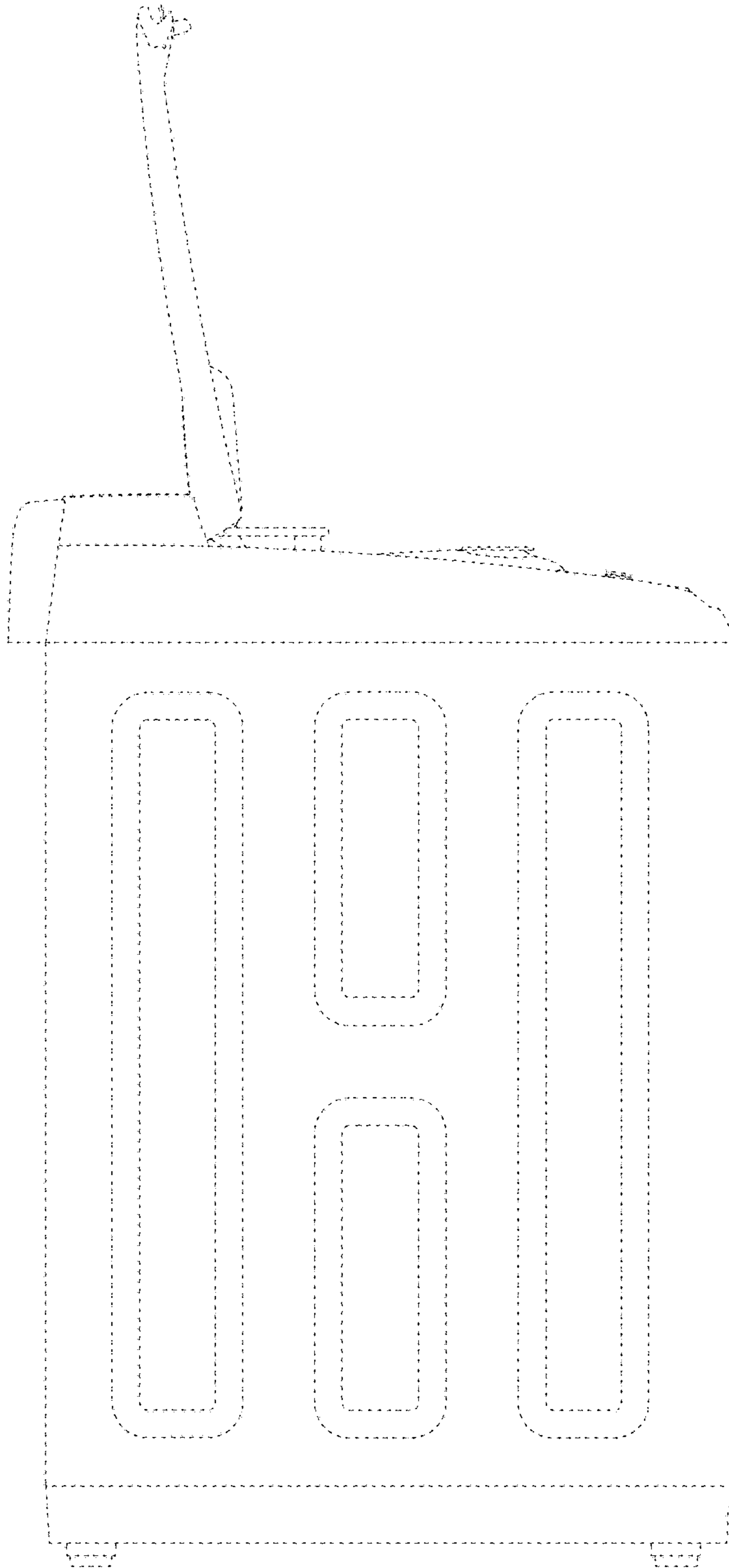


FIG. 5

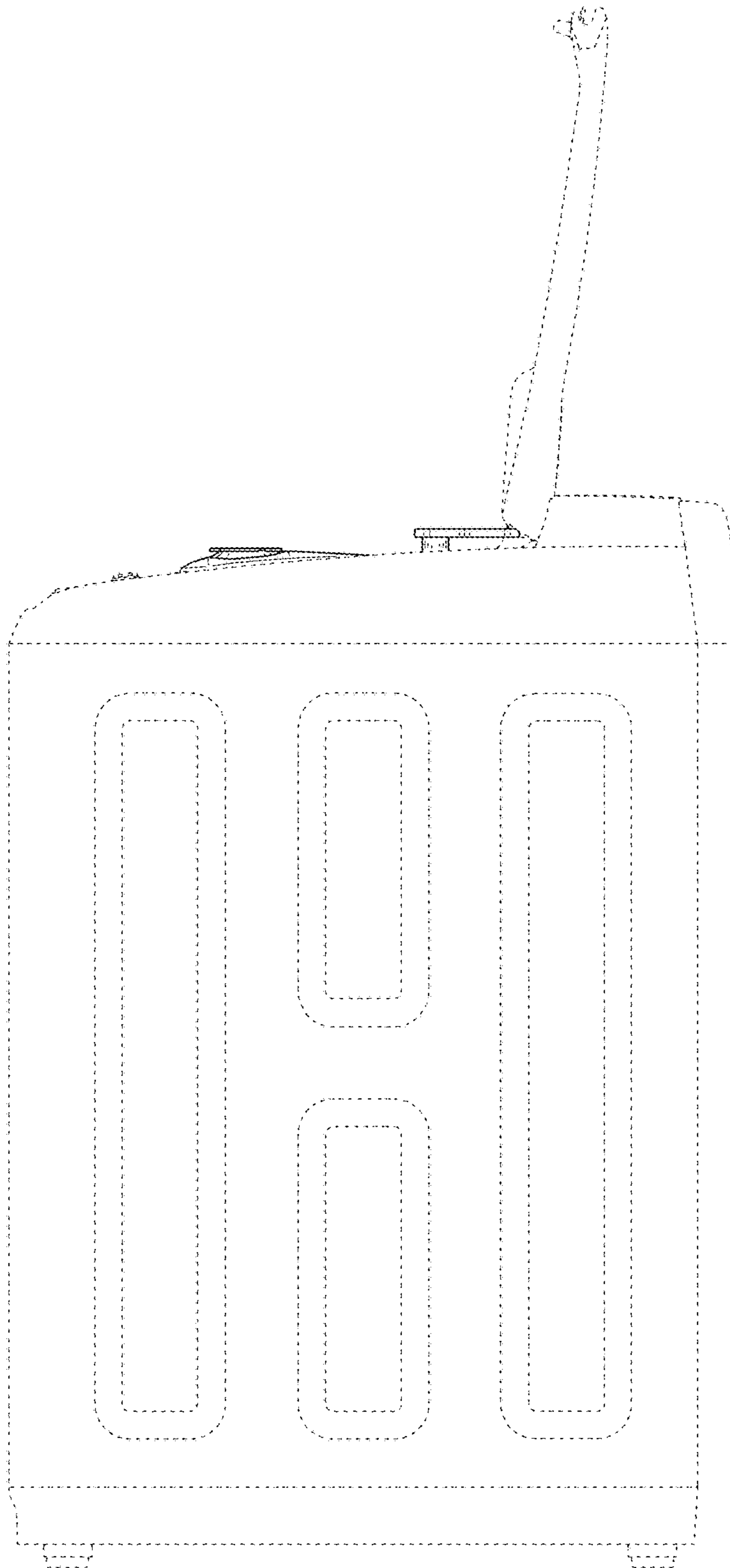


FIG. 6

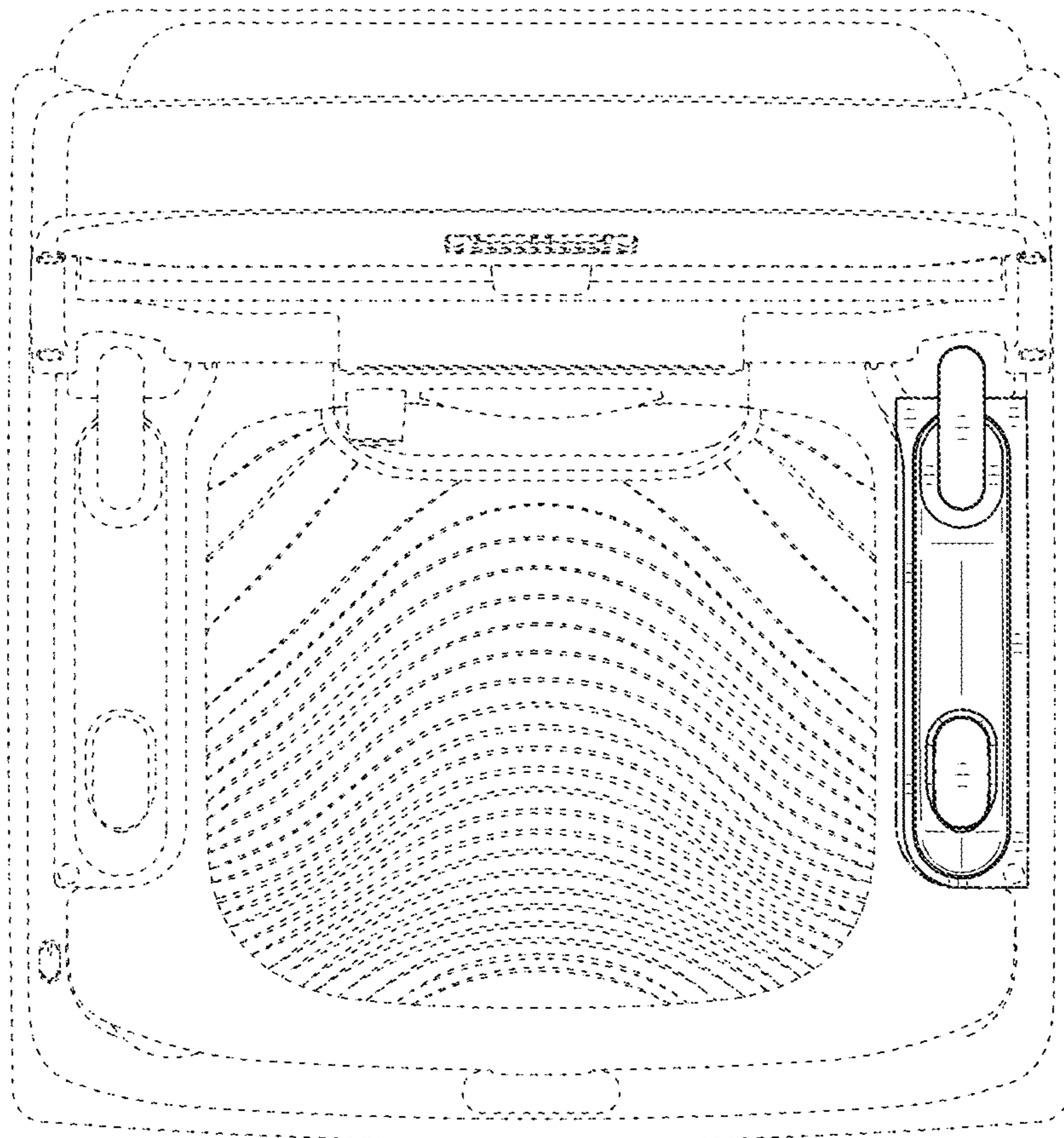


FIG. 7

