



US00D825869S

(12) **United States Design Patent**
Bloemendaal et al.

(10) **Patent No.:** **US D825,869 S**

(45) **Date of Patent:** **** Aug. 14, 2018**

(54) **HAND-HELD EXTRACTION CLEANER**

6,968,593 B1 * 11/2005 Lenkiewicz A47L 5/26
15/320

(71) Applicant: **BISSELL Homecare, Inc.**, Grand Rapids, MI (US)

D522,191 S * 5/2006 Erlich D32/18
D682,493 S * 5/2013 Erlich D32/18

(72) Inventors: **Colin J. Bloemendaal**, Grand Rapids, MI (US); **David M. Miller**, Zeeland, MI (US)

* cited by examiner

Primary Examiner — Ruth McInroy

(73) Assignee: **BISSELL Homecare, Inc.**, Grand Rapids, MI (US)

(74) *Attorney, Agent, or Firm* — McGarry Bair PC

(**) Term: **15 Years**

(57) **CLAIM**

(21) Appl. No.: **29/602,222**

The ornamental design for a hand-held extraction cleaner, as shown and described.

(22) Filed: **Apr. 28, 2017**

(51) **LOC (11) Cl.** **15-05**

(52) **U.S. Cl.**

USPC **D32/18**

(58) **Field of Classification Search**

USPC D32/17-18, 21-22, 31, 34, 69-70, 72

CPC A47L 5/24; A47L 5/38; A47L 5/28; A47L

11/4044; A47L 11/34; A47L 7/0038;

A47L 9/325; A47L 9/02; A47L 1/08;

D01H 11/006; B60S 1/64; A46B 11/001;

A46B 11/002; B08B 3/026; B08B 3/028

See application file for complete search history.

DESCRIPTION

FIG. 1 is a front, right perspective view of a hand-held extraction cleaner showing our new design;

FIG. 2 is a top view thereof;

FIG. 3 is a bottom view thereof;

FIG. 4 is a front view thereof;

FIG. 5 is a rear view thereof;

FIG. 6 is a left side view thereof; and,

FIG. 7 is a right side view thereof.

The details shown in the broken lines form no part of the claimed design.

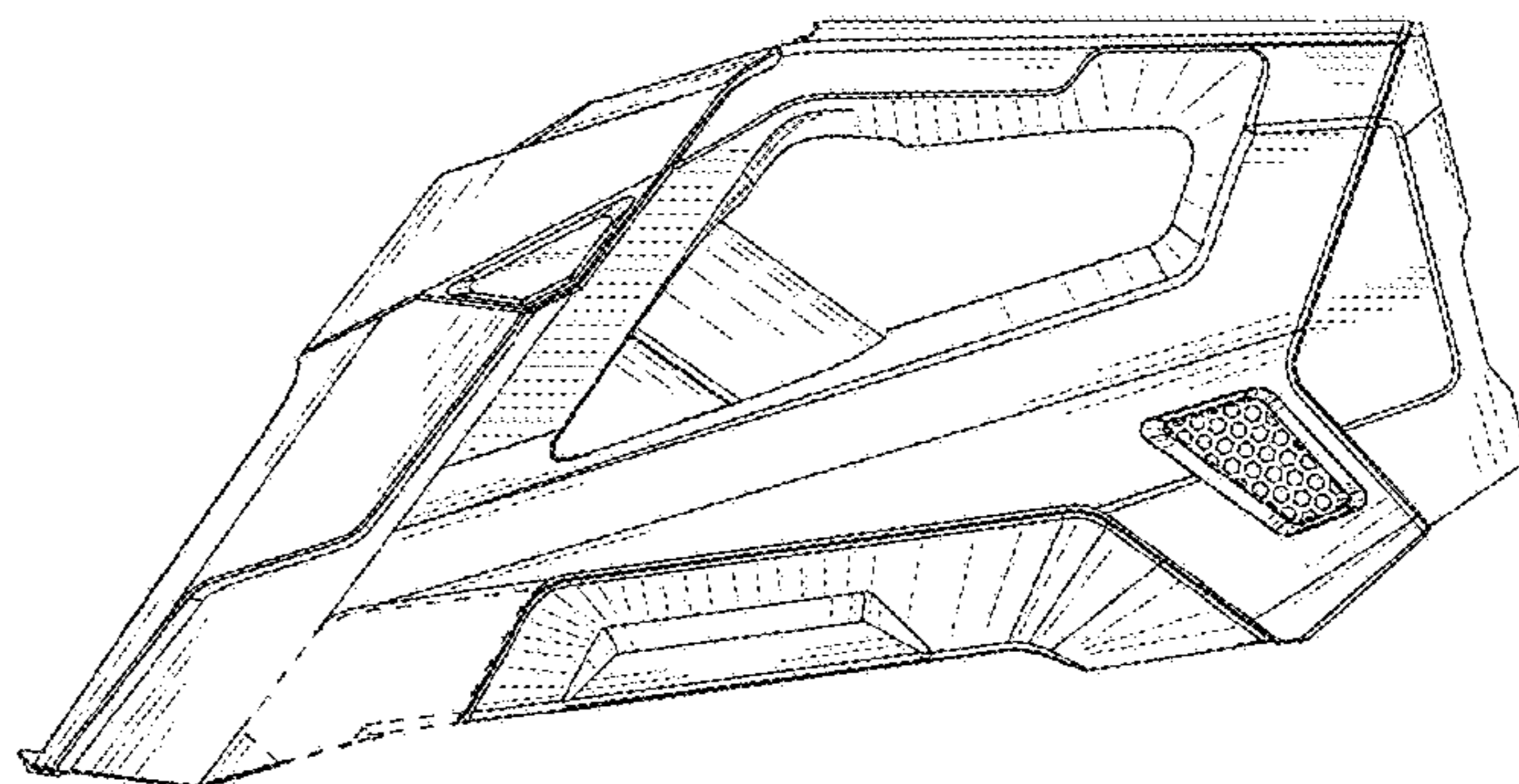
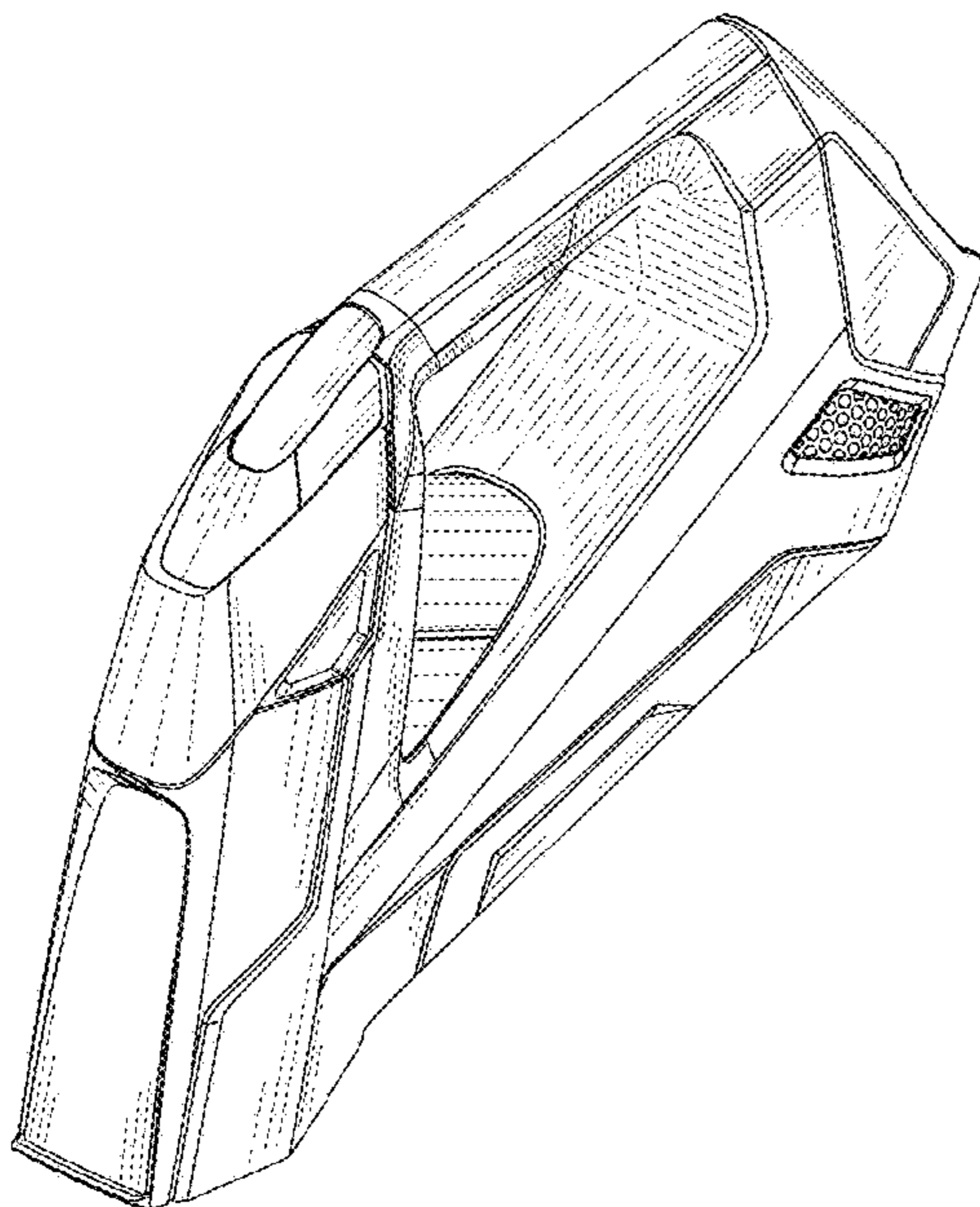
(56) **References Cited**

U.S. PATENT DOCUMENTS

D313,831 S * 1/1991 Gildersleeve D32/18

D443,960 S * 6/2001 Shimko D32/18

1 Claim, 7 Drawing Sheets



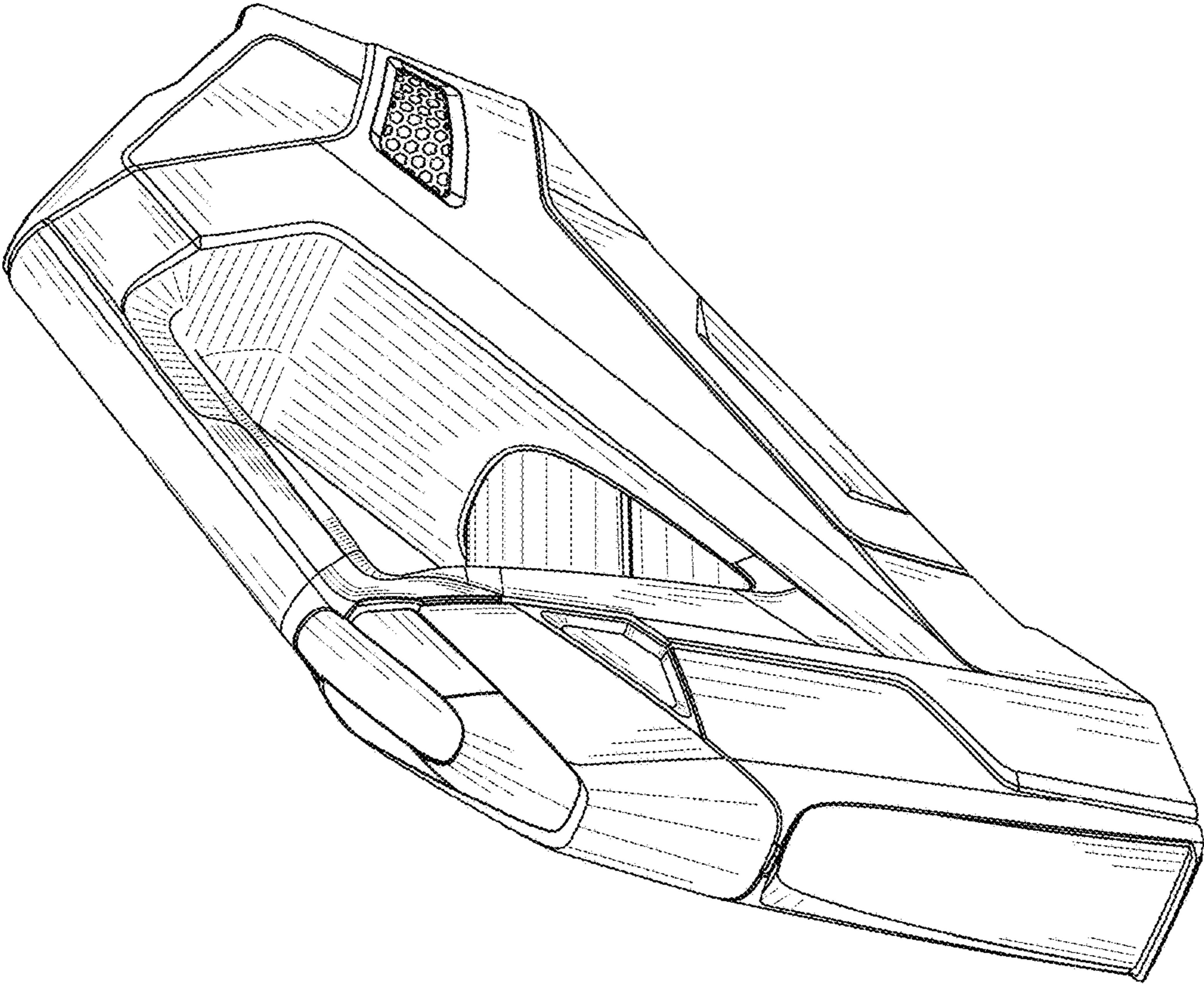


FIG. 1

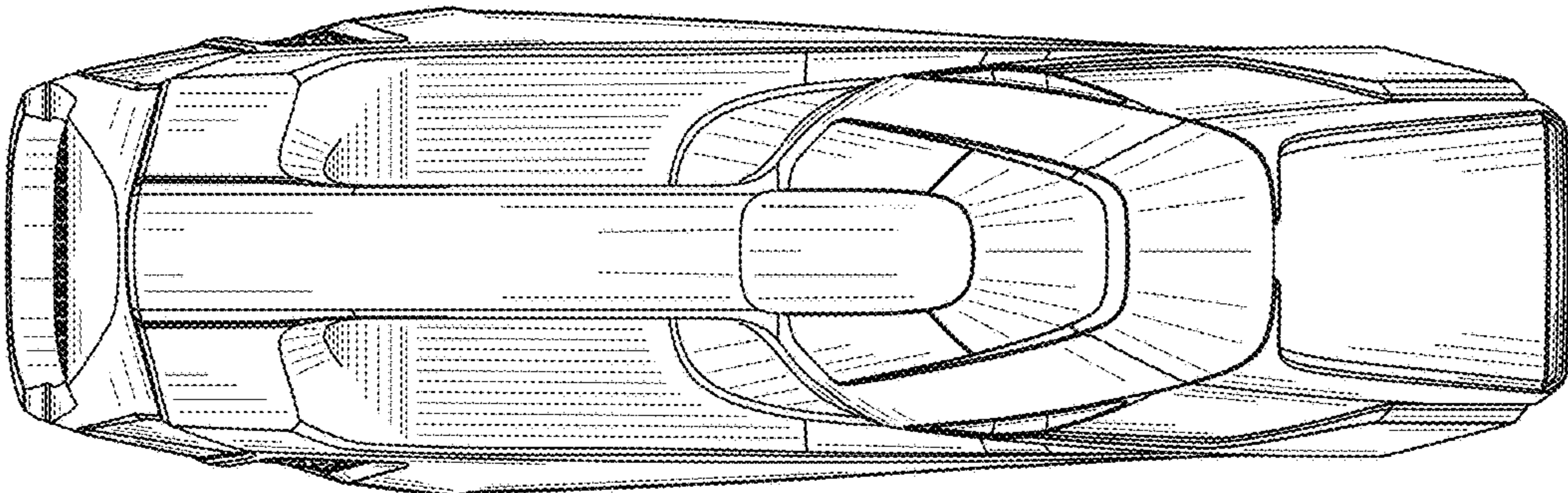


FIG. 2

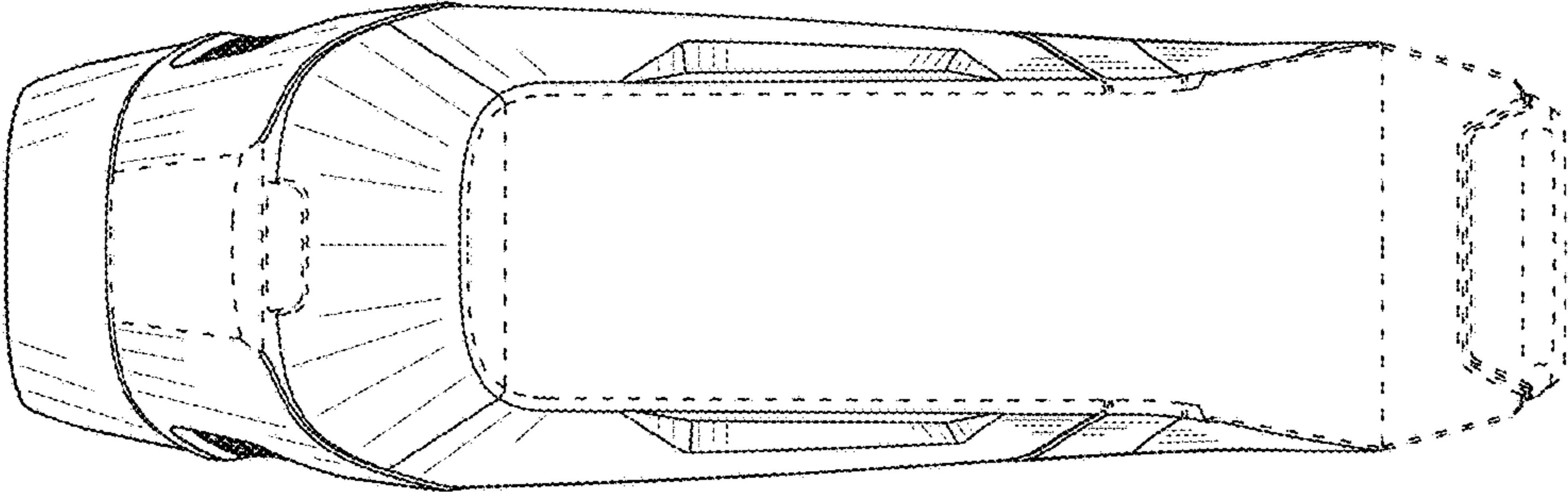


FIG. 3

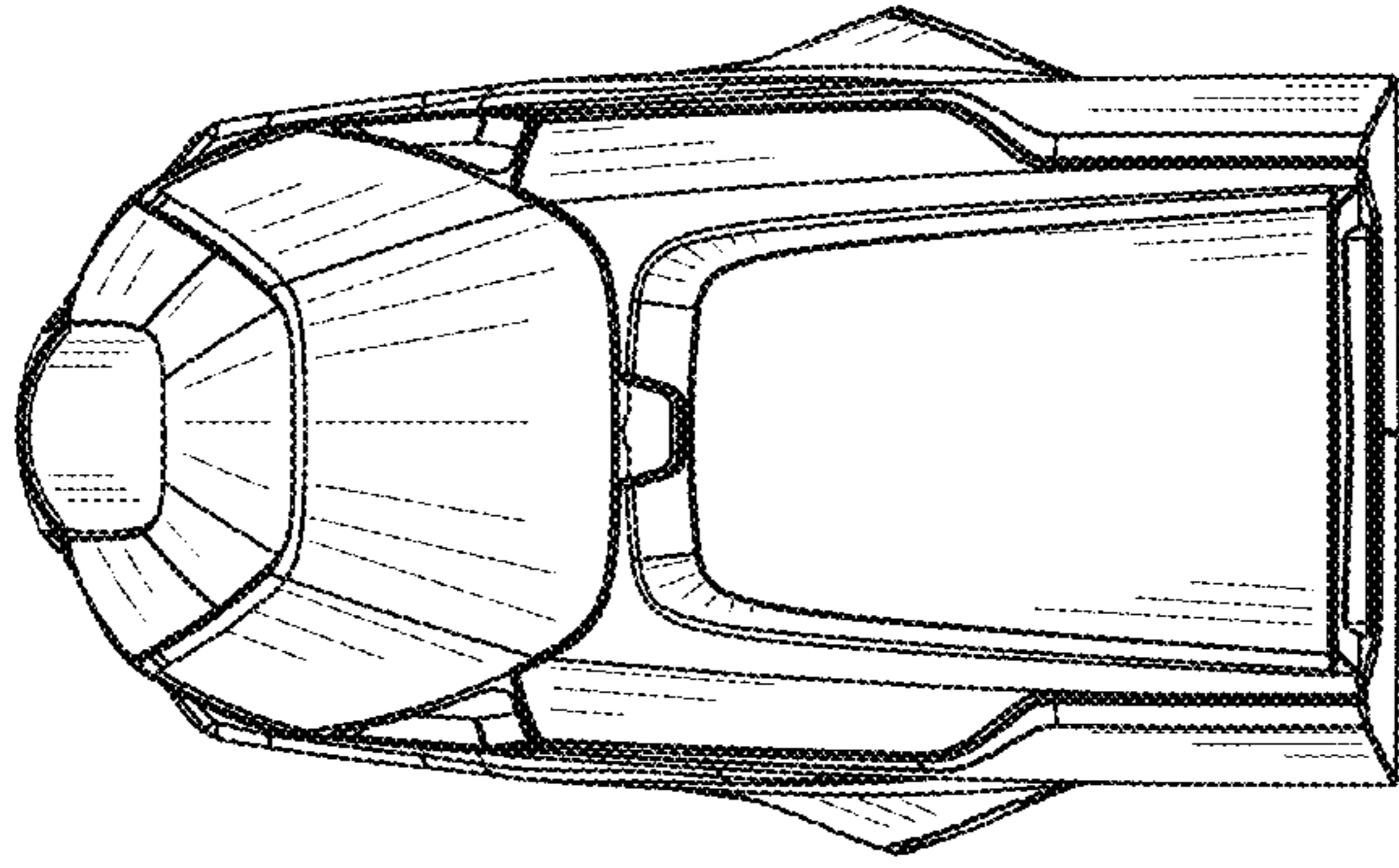


FIG. 4

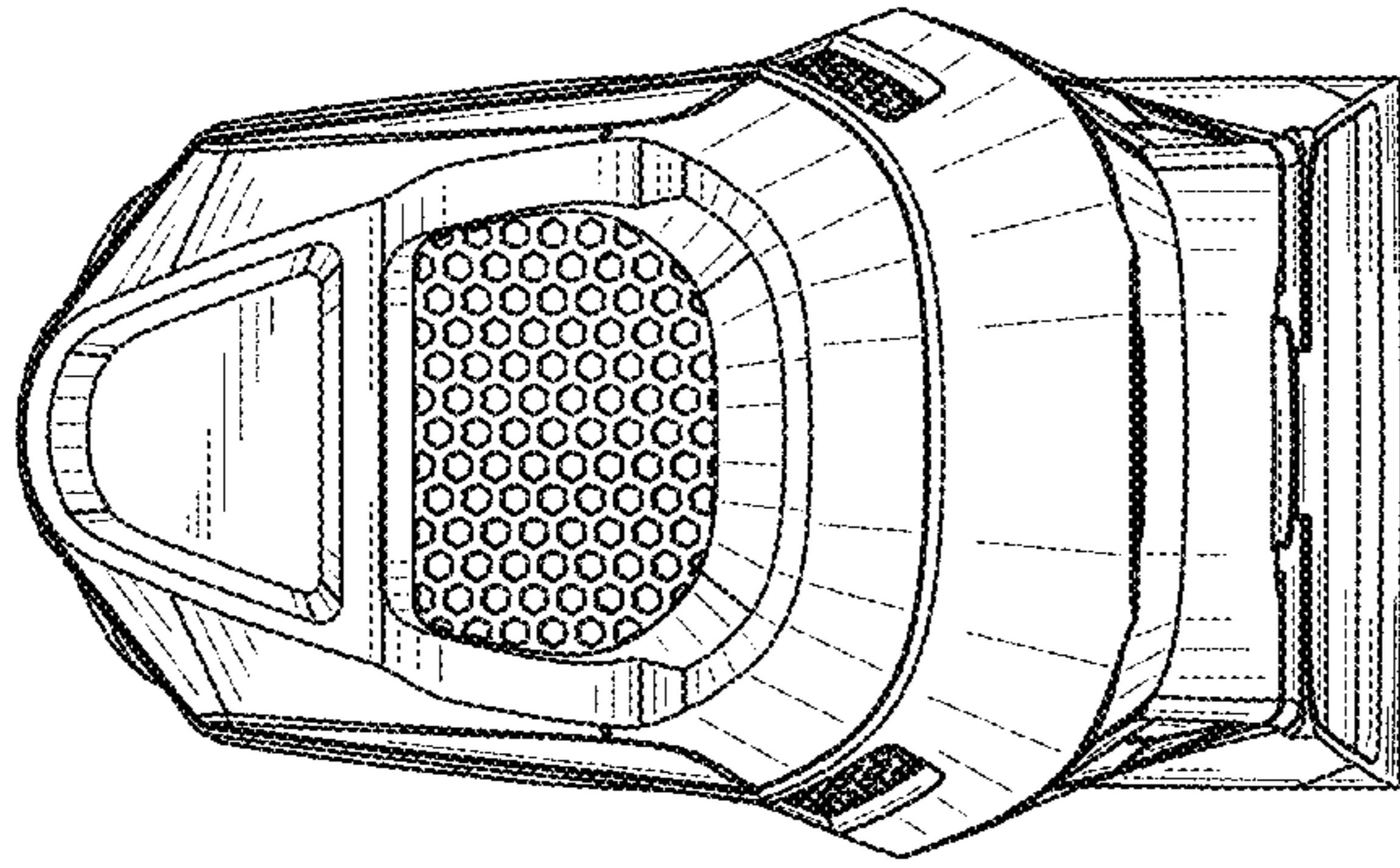


FIG. 5

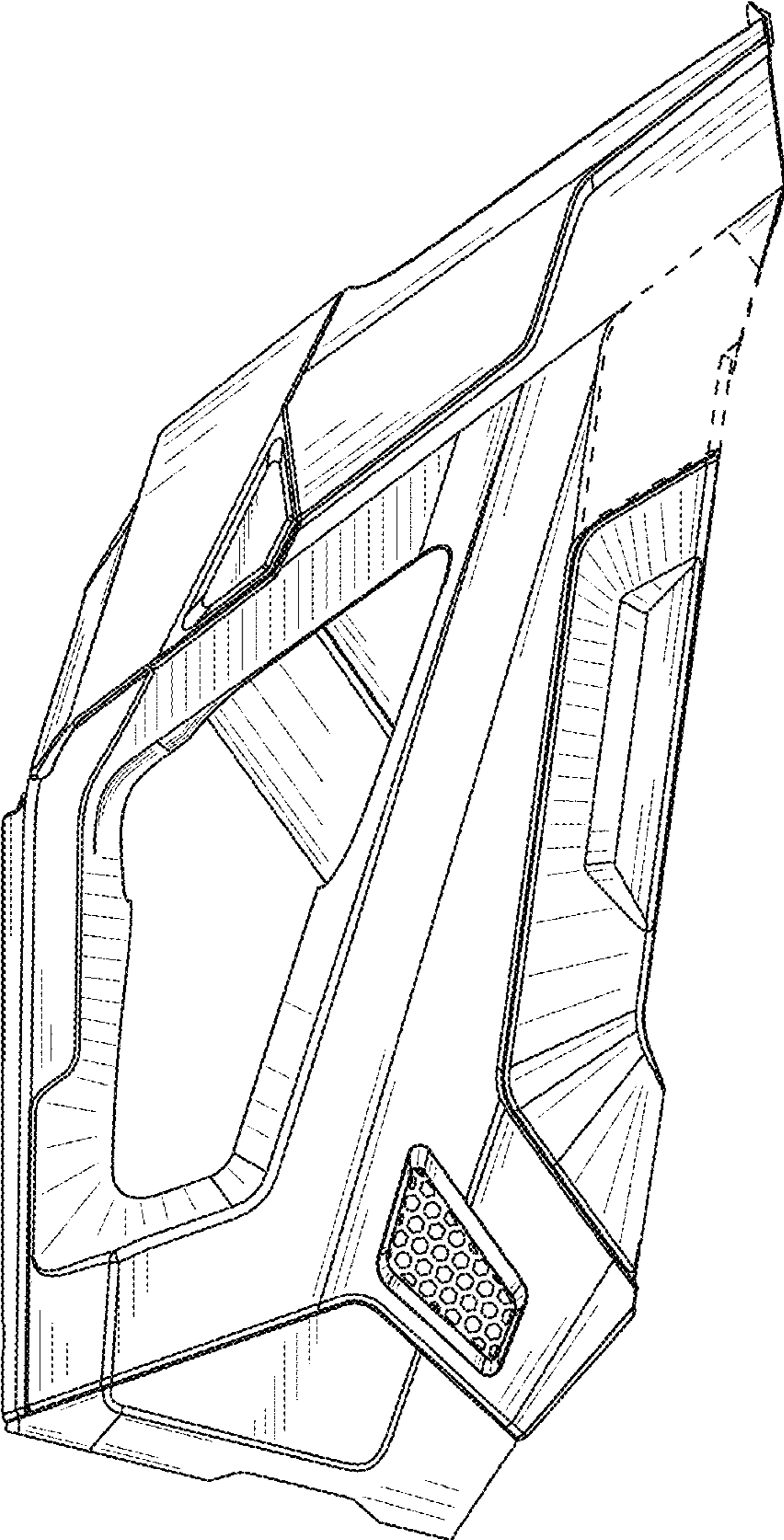


FIG. 6

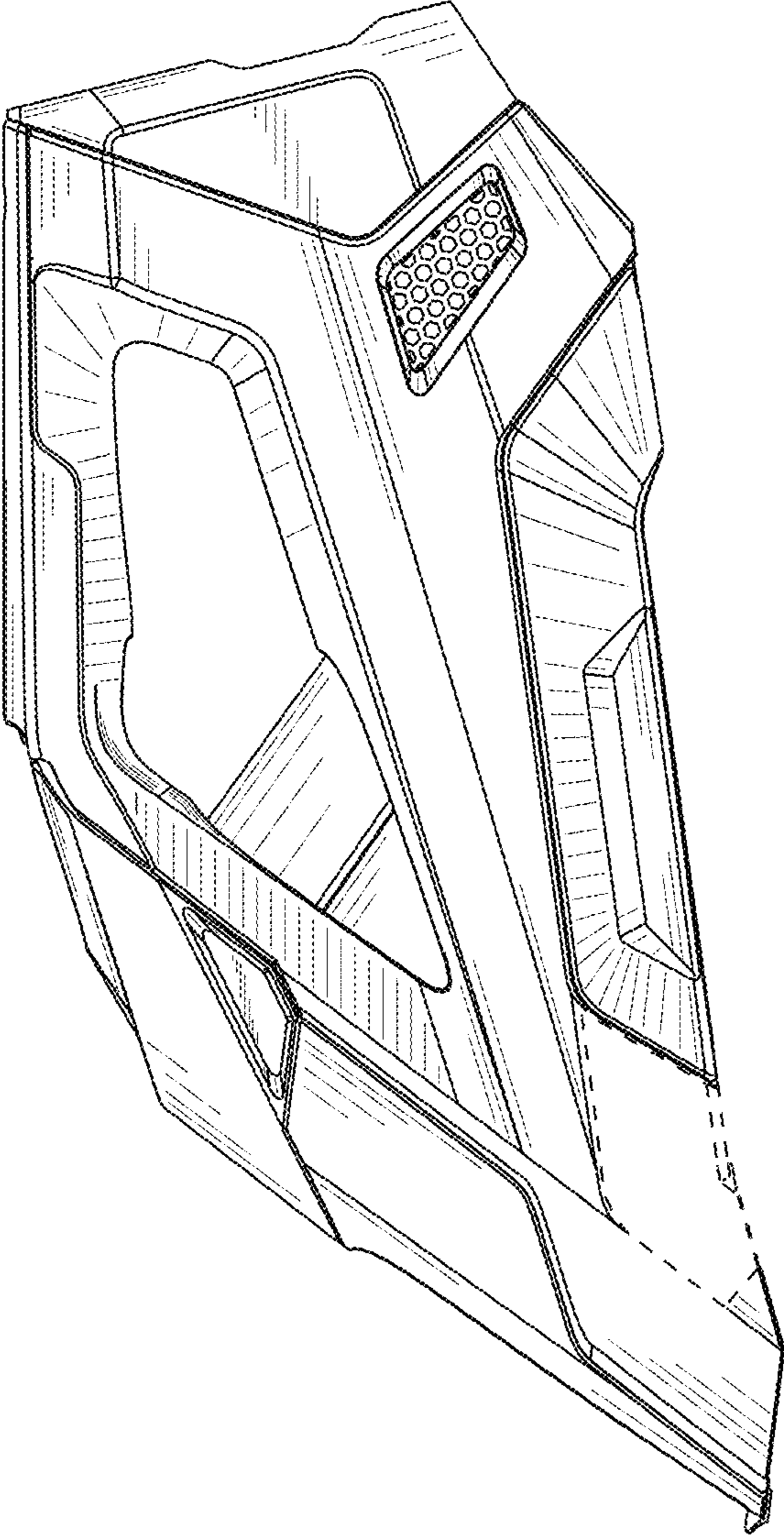


FIG. 7