



US00D825868S

(12) **United States Design Patent** (10) **Patent No.:** **US D825,868 S**
Chung et al. (45) **Date of Patent:** **** Aug. 14, 2018**

(54) **WASHING MACHINE**

(71) Applicant: **LG ELECTRONICS INC.**, Seoul (KR)

(72) Inventors: **Wookjun Chung**, Seoul (KR); **Hoil Jeon**, Seoul (KR); **Miju Kim**, Seoul (KR); **Kihyuk Kim**, Seoul (KR)

(73) Assignee: **LG ELECTRONICS INC.**, Seoul (KR)

(**) Term: **15 Years**

(21) Appl. No.: **29/605,333**

(22) Filed: **May 25, 2017**

(30) **Foreign Application Priority Data**

Nov. 28, 2016 (KR) 30-2016-0057226

(51) **LOC (11) Cl.** **15-05**

(52) **U.S. Cl.**
USPC **D32/6**

(58) **Field of Classification Search**
USPC D32/1, 5-6, 8, 10, 25, 28, 29
CPC D06F 33/02; D06F 2204/065; D06F 25/00;
D06F 35/006; D06F 37/28; D06F 39/14;
D06F 58/203
See application file for complete search history.

(56) **References Cited**

U.S. PATENT DOCUMENTS

D177,010 S *	3/1956	Boldt	D32/6
D457,991 S *	5/2002	Baldwin	D32/6
D457,992 S *	5/2002	Baldwin	D32/6
D514,756 S *	2/2006	Kirk	D32/6
D518,607 S *	4/2006	Franzino	D32/1
D556,956 S *	12/2007	Kim	D32/6
D575,913 S *	8/2008	Jeon	D32/6

D588,757 S *	3/2009	Park	D32/6
D589,216 S *	3/2009	Park	D32/6
D599,508 S *	9/2009	Choi	D32/6
D613,916 S *	4/2010	Montgomery	D32/6
D622,916 S *	8/2010	Lee	D32/6
D642,752 S *	8/2011	Kim	D32/6
D694,967 S *	12/2013	Jeon	D32/6
D706,999 S *	6/2014	Cho	D32/6
D739,097 S *	9/2015	Qin	D32/6
D739,098 S *	9/2015	Qin	D32/6
D749,804 S *	2/2016	Ha	D32/6
D759,909 S *	6/2016	Kim	D32/6
D770,102 S *	10/2016	Armstrong	D32/6
D773,755 S *	12/2016	Hwang	D32/6
D773,757 S *	12/2016	Hwang	D32/6
D785,876 S *	5/2017	Cho	D32/6

(Continued)

Primary Examiner — Michelle E Wilson

(74) *Attorney, Agent, or Firm* — Birch, Stewart, Kolasch & Birch, LLP

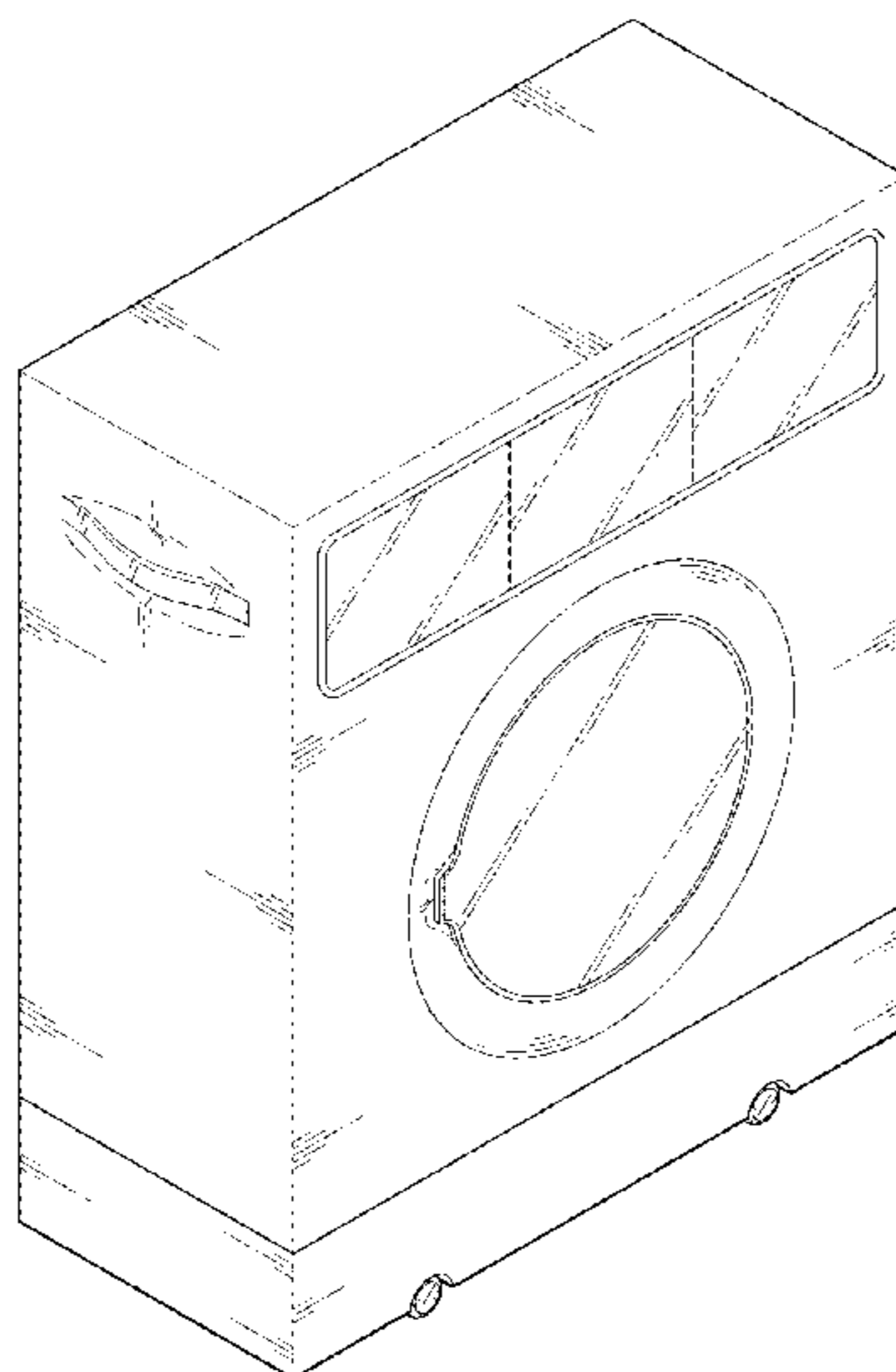
(57) **CLAIM**

The ornamental design for a washing machine, as shown and described.

DESCRIPTION

FIG. 1 is a front perspective view of a Washing machine showing our new design;
FIG. 2 is a front view thereof;
FIG. 3 is a rear view thereof;
FIG. 4 is a left side view thereof;
FIG. 5 is a right side view thereof;
FIG. 6 is a top plan view thereof;
FIG. 7 is a bottom plan view thereof; and,
FIG. 8 through FIG. 10 are reference views thereof showing the example of the usage of the subject design in consecutive order.
The broken lines in FIGS. 8, 9 and 10 show environmental structure only and form no part of the claimed design.

1 Claim, 10 Drawing Sheets



(56)

References Cited

U.S. PATENT DOCUMENTS

2003/0230017 A1* 12/2003 Geyer G09F 13/04
40/544
2011/0023559 A1* 2/2011 Schone D06F 37/10
68/212

* cited by examiner

FIG. 1

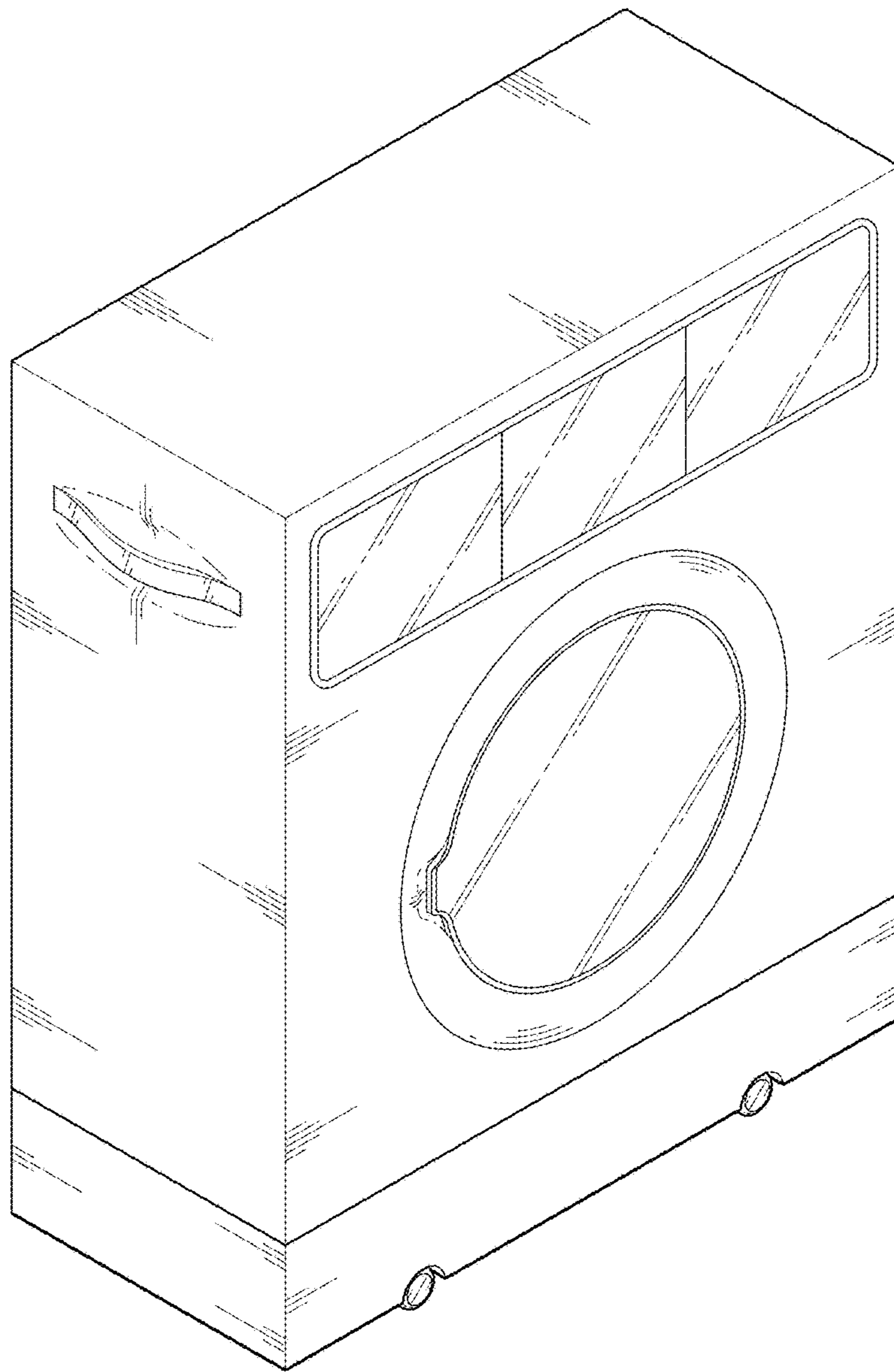


FIG. 2

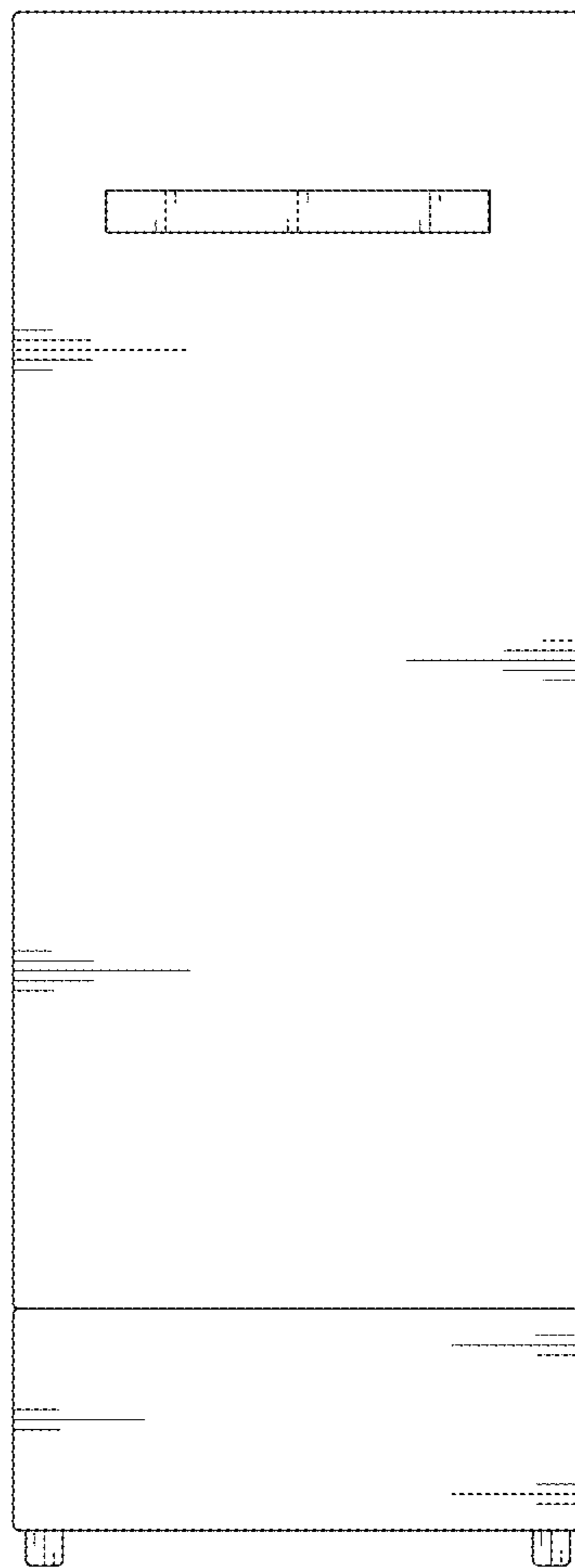


FIG. 3

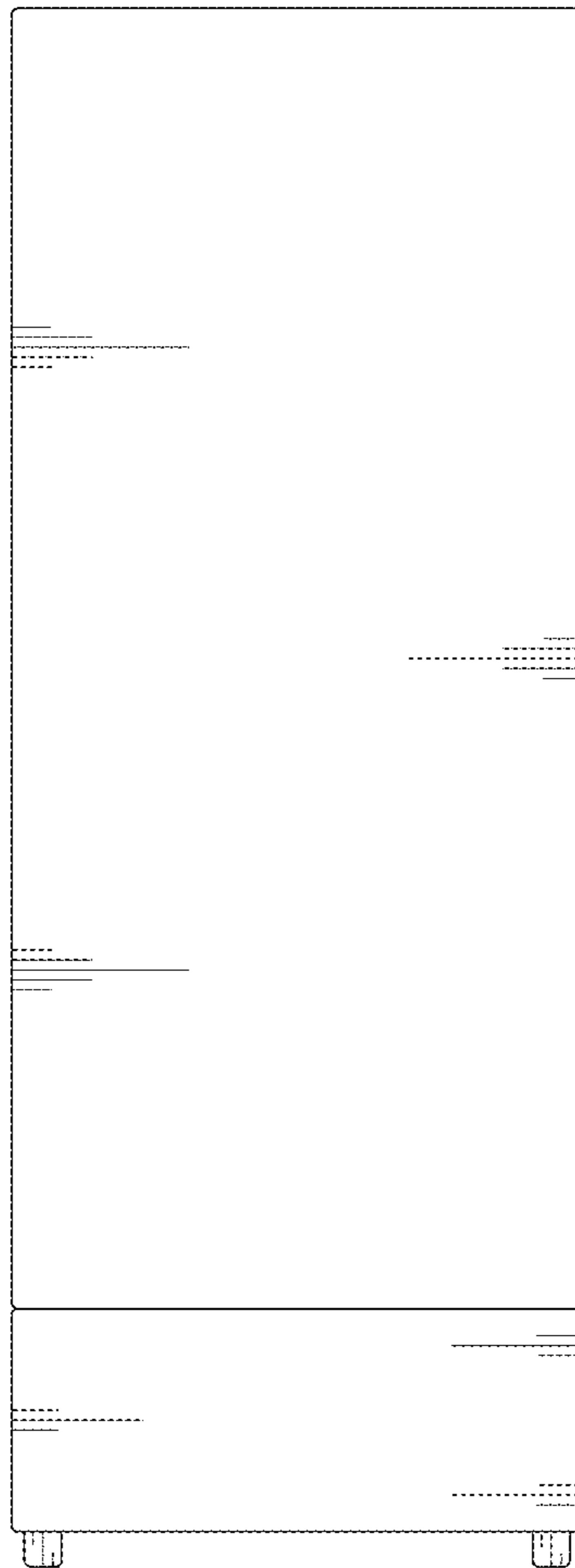


FIG. 4

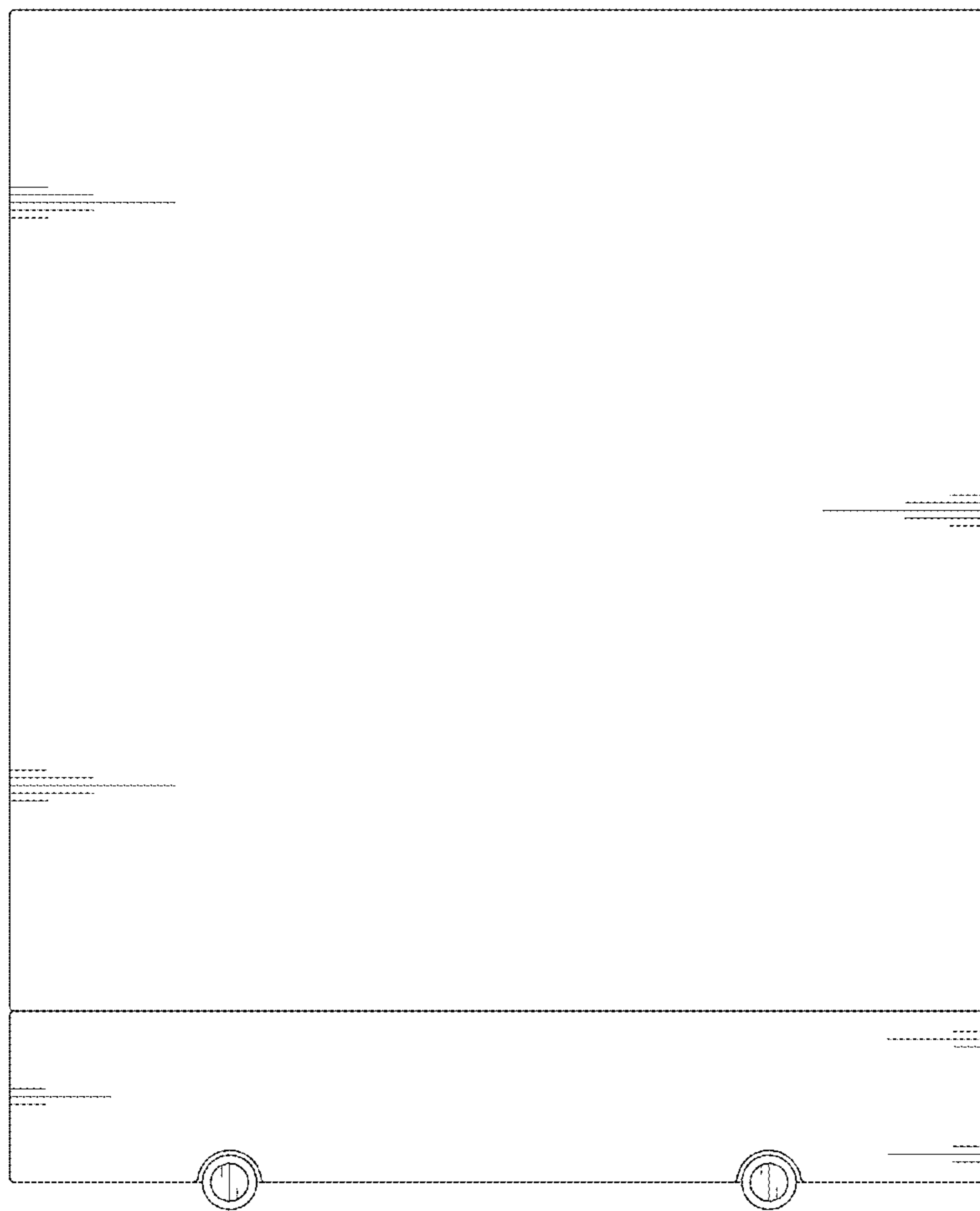


FIG. 5

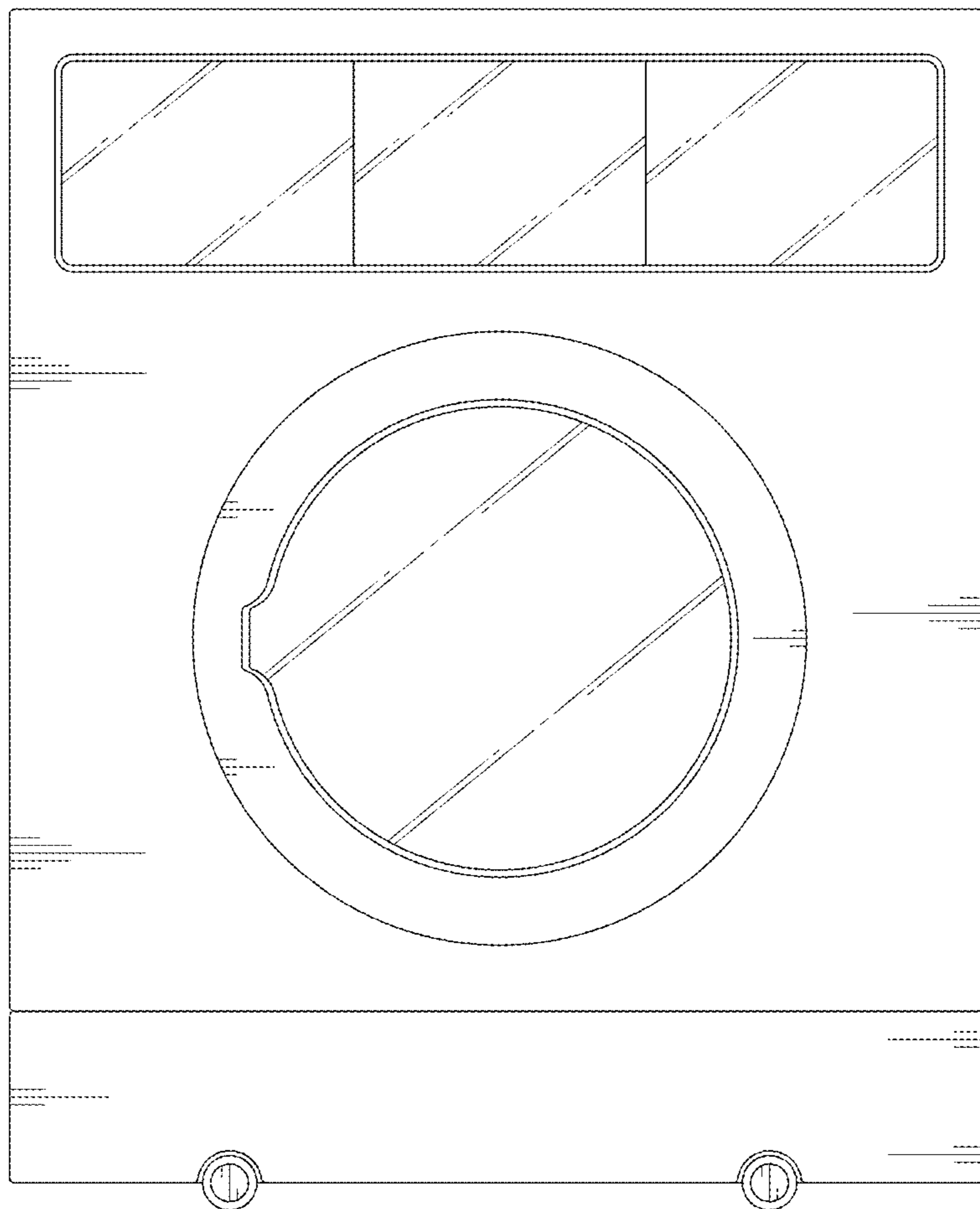


FIG. 6

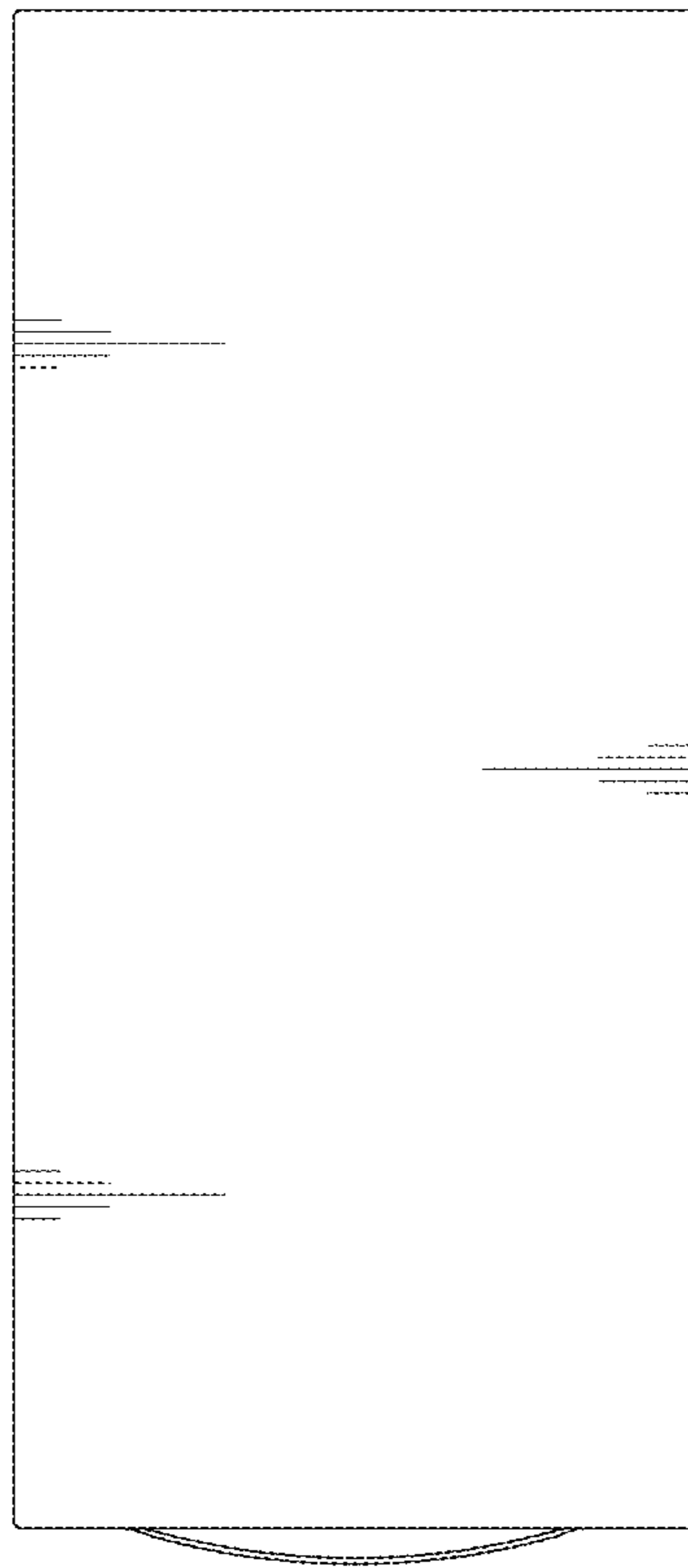


FIG. 7

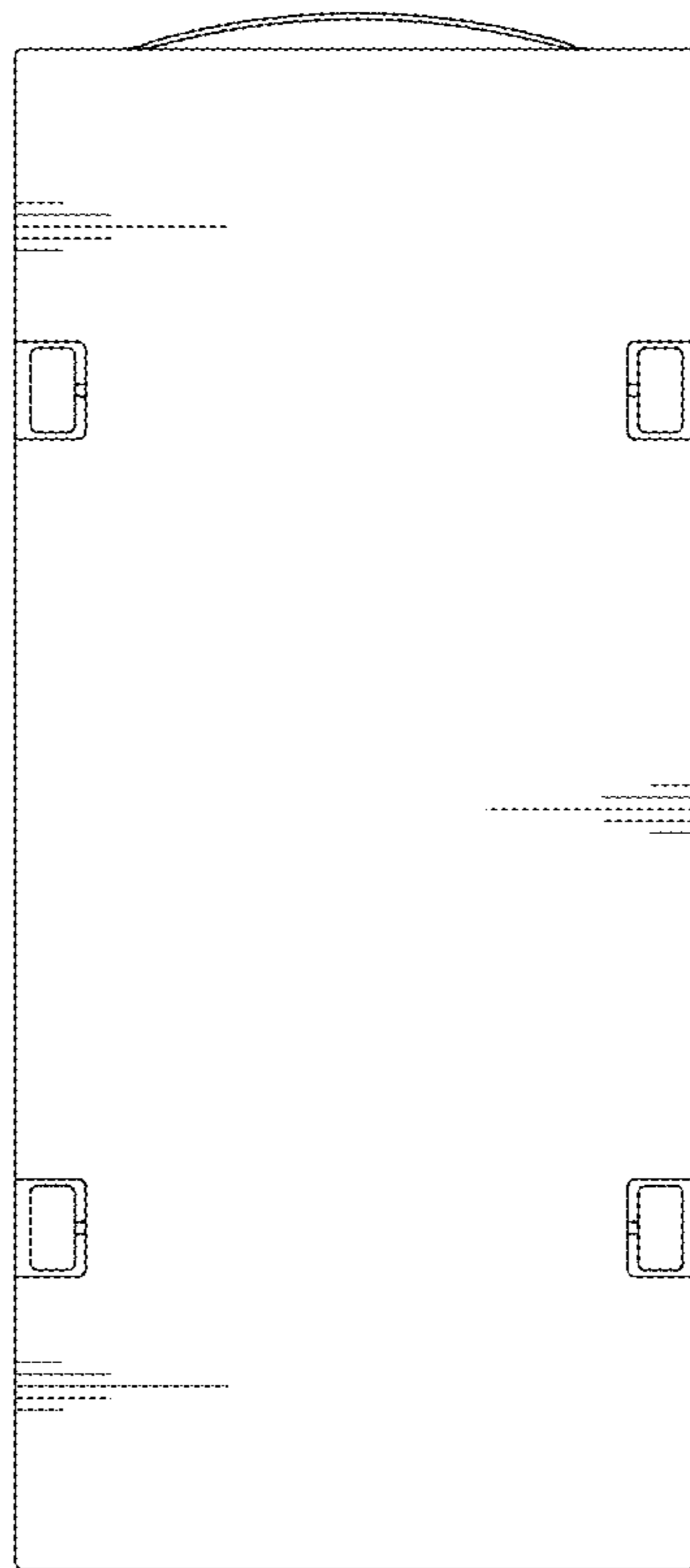


FIG. 8

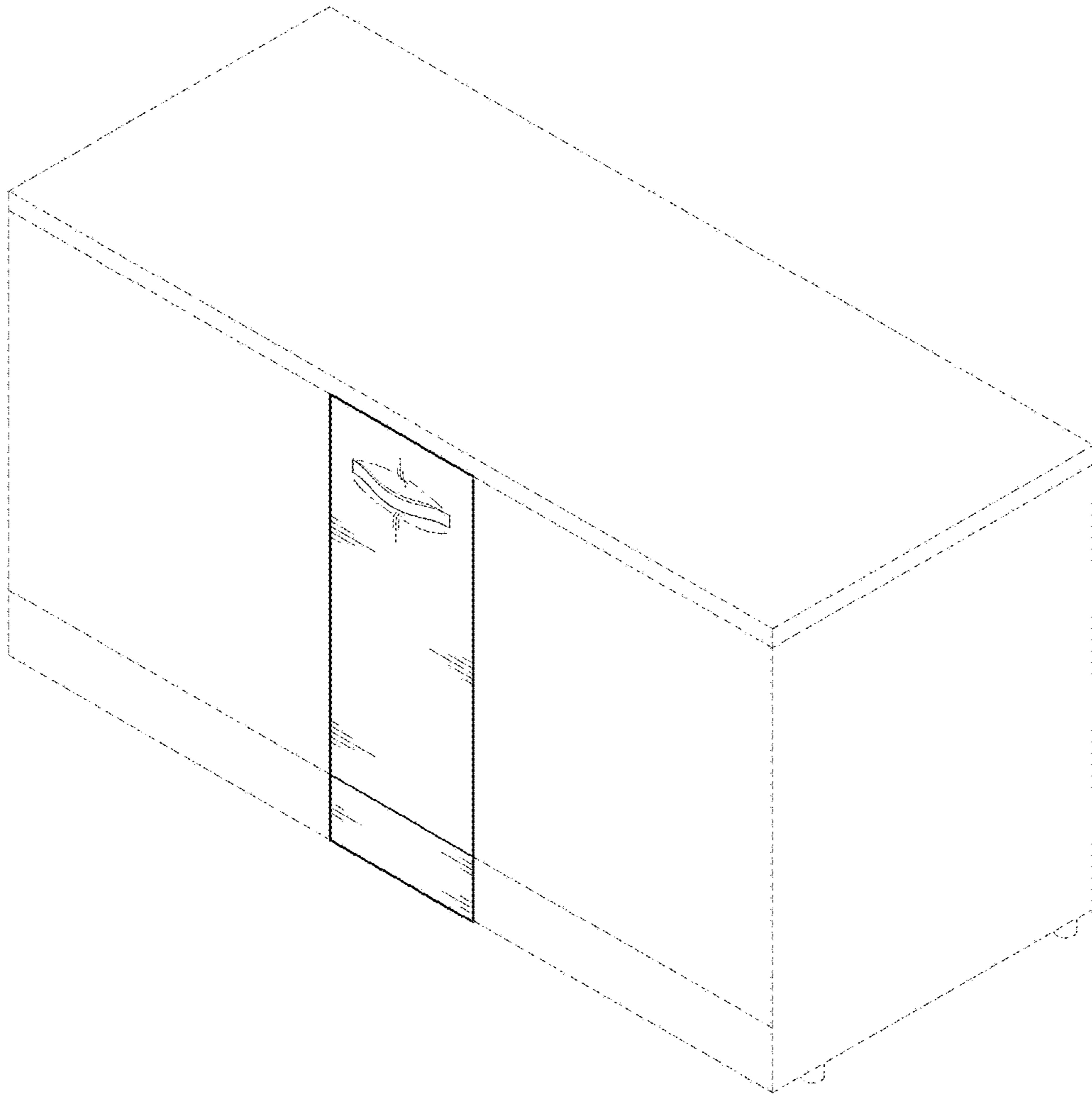


FIG. 9

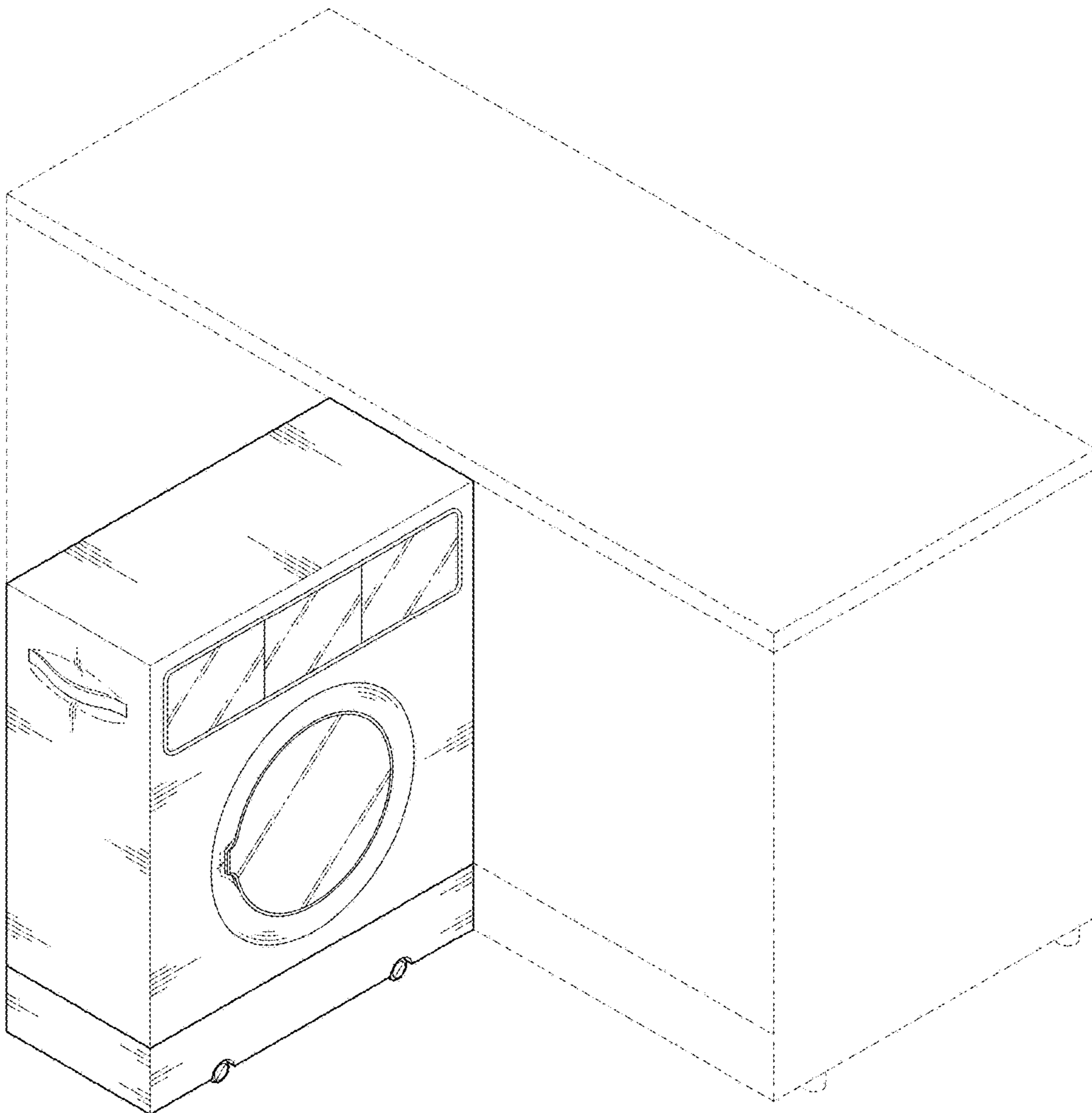


FIG. 10

