



US00D825866S

(12) **United States Design Patent** (10) **Patent No.:** **US D825,866 S**
van Halder (45) **Date of Patent:** **** Aug. 14, 2018**

(54) **PET WASTE COLLECTOR**

(71) Applicant: **Josephus Johannes Maria van Halder**, Puyallup, WA (US)

(72) Inventor: **Josephus Johannes Maria van Halder**, Puyallup, WA (US)

(**) Term: **14 Years**

(21) Appl. No.: **29/474,646**

(22) Filed: **Dec. 9, 2014**

(51) **LOC (11) Cl.** **09-09**

(52) **U.S. Cl.**
 USPC **D30/162; D34/7**

(58) **Field of Classification Search**
 USPC D34/1, 7, 11; D30/161, 162, 199; D6/512, 515, 518, 519; D3/203.5, 244, D3/201, 231, 243, 245, 251, 268, 290, D3/303; D9/702-711, 715-721, 761, D9/414, 433, 499, 416, 418, 420, 734; D24/121; 383/63, 42, 43, 93, 95, 97, 1, 383/21, 104, 121, 25, 14, 10, 61.2, 8; 604/385.02, 385.13, 358, 11, 359; 206/554, 440, 205, 438; 221/155; 229/175, 132; 294/1.3, 25, 1.5, 50.6, 294/176, 180, 58, 59; 15/227; 2/158; 493/194, 223, 226, 231, 235, 239, 346, 493/381
 CPC A61F 13/551; A61F 13/5518; A61F 13/15252; A61F 2013/55195; A61F 15/003; A41D 19/0075; A41D 19/0024; A41D 19/01; B65F 1/0006; B65F 2210/102; B65F 2240/164; B65D 33/001; B65D 33/065; B65D 33/10; B65D 33/2508; B65D 75/008-75/30; B65D 75/56; B65D 75/52; B65D 75/566-75/5883; B65D 2575/586; B65D 83/08; B65B 3/17; E01H 1/12; E01H 1/1206; E01H 2001/126; E01H 2001/128; E01H 2001/124; E01H 2001/122; E01H 2001/1226; E01H 2001/1233
 See application file for complete search history.

(56) **References Cited**

U.S. PATENT DOCUMENTS

359,435 A * 3/1887 Elliott B65D 3/20
 229/128

1,733,219 A * 10/1929 Duvall B65D 33/10
 294/1.3

2,326,648 A * 8/1943 Horr A47B 69/00
 229/107

2,964,227 A * 12/1960 Goldsholl B65D 5/0209
 229/128

2,966,293 A * 12/1960 Goldsholl B65D 5/0209
 229/117.01

3,010,571 A * 11/1961 Transport B65D 5/0209
 206/758

D202,920 S * 11/1965 Muesing D28/8.1

3,343,743 A * 9/1967 Hamilton, Jr. B65D 5/0209
 229/117.24

3,381,885 A * 5/1968 Seiferth B65D 75/48
 206/484

3,630,430 A * 12/1971 Struble B65D 5/18
 229/104

3,637,130 A * 1/1972 Farquhar B65D 5/0209
 206/562

3,676,887 A * 7/1972 Klein E01H 1/1206
 15/104.8

3,739,418 A * 6/1973 Yonaites B65D 33/246
 294/1.3

3,767,247 A * 10/1973 Wetzler E01H 1/1206
 119/867

D231,201 S * 4/1974 Bonfitto D9/418

3,830,423 A * 8/1974 Prescott A47L 13/52
 15/104.8

3,845,897 A * 11/1974 Buttery B65D 5/18
 229/104

3,850,467 A * 11/1974 Johnson E01H 1/1206
 15/104.8

3,877,632 A * 4/1975 Steel B65D 5/3685
 229/104

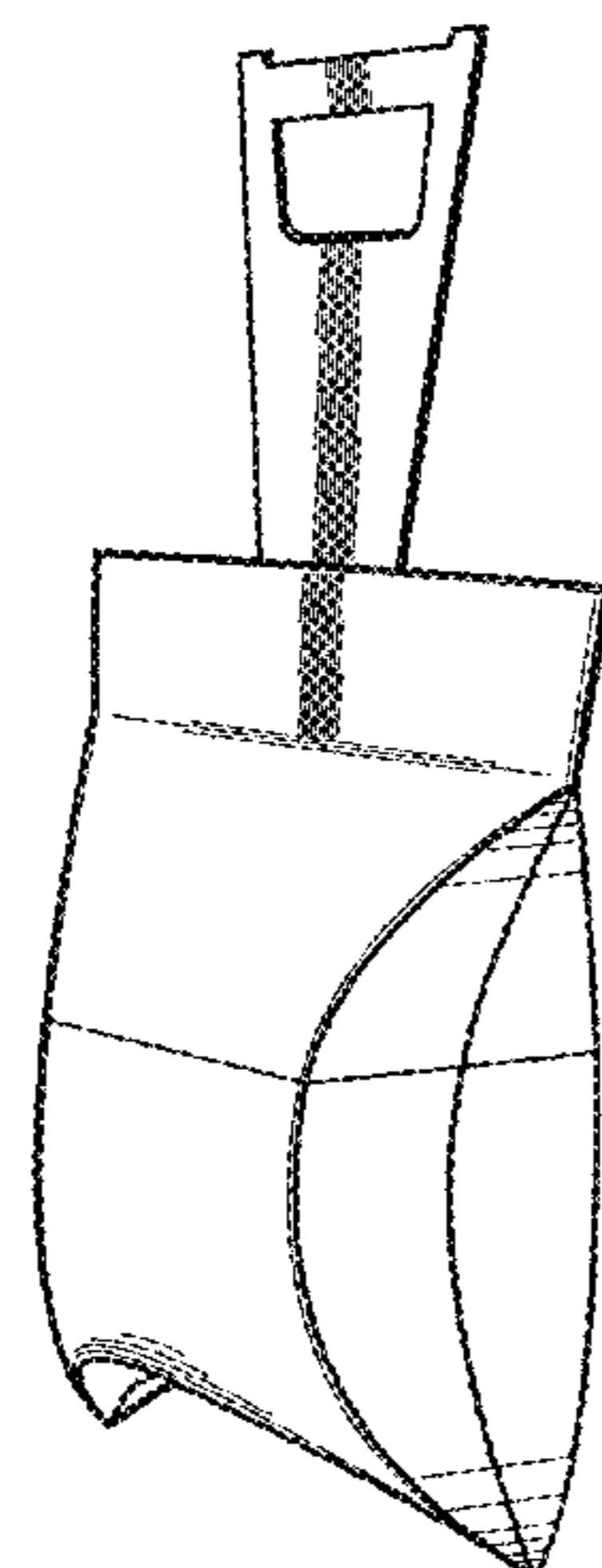
D235,314 S * 6/1975 Cramphorn D9/431

3,929,222 A * 12/1975 Smith B65D 5/0209
 206/783

3,971,503 A * 7/1976 Allan B65D 5/08
 15/257.1

4,032,005 A * 6/1977 Vereb B65D 5/0209
 206/277

D248,375 S * 7/1978 Bergstein D9/415



US D825,866 S

<p>4,103,952 A * 8/1978 Thompson E01H 1/1206 206/216 D250,171 S * 11/1978 Yoshimoto D3/203.2 4,138,153 A * 2/1979 Brown E01H 1/1206 15/257.1 4,155,581 A * 5/1979 Kanaga A47L 13/52 294/1.3 4,205,869 A * 6/1980 Mathis E01H 1/1206 15/104.8 4,215,886 A * 8/1980 Naderi E01H 1/1206 294/1.3 4,251,097 A * 2/1981 Whitten, II E01H 1/1206 294/1.3 4,252,356 A * 2/1981 Tokuzumi E01H 1/1206 294/1.3 4,272,116 A * 6/1981 Tufte, Jr. E01H 1/1206 15/257.05 D262,943 S * 2/1982 Schadler 294/1.3 4,458,932 A * 7/1984 Resch E01H 1/1206 15/257.1 4,741,565 A * 5/1988 Bagg E01H 1/1206 15/257.1 4,752,093 A * 6/1988 Haber E01H 1/1206 15/104.8 4,830,419 A * 5/1989 Watanabe E01H 1/1206 15/104.8 4,836,594 A * 6/1989 Spreiter E01H 1/1206 294/1.3 4,838,327 A * 6/1989 Ambler A61F 15/003 141/114 D303,500 S * 9/1989 Colla D9/414 4,865,371 A * 9/1989 Egberg E01H 1/1206 15/104.8 4,887,709 A * 12/1989 Shimamine B65D 73/0085 206/457 4,909,553 A * 3/1990 Hantover E01H 1/1206 15/257.1 4,974,893 A * 12/1990 Grahn E01H 1/1206 15/104.8 5,039,148 A * 8/1991 Brautovich E01H 1/1206 294/1.3 5,048,749 A * 9/1991 Wischusen, III B65D 75/008 229/125.02 5,054,828 A * 10/1991 Hantover E01H 1/1206 15/257.1 5,064,233 A * 11/1991 Sloan E01H 1/1206 15/257.7 5,186,384 A * 2/1993 Nelson E01H 1/1206 229/117.14 D334,255 S * 3/1993 Nelson D30/162 5,280,978 A * 1/1994 Bohn E01H 1/1206 294/1.3 5,301,870 A * 4/1994 Smith B65D 5/18 229/402 5,564,762 A * 10/1996 Ring E01H 1/1206 229/122 5,584,519 A * 12/1996 Myles E01H 1/1206 294/1.3 D386,840 S * 11/1997 Sturm 294/1.3 D389,401 S * 1/1998 Holley, Jr. D9/415 5,797,636 A * 8/1998 Hamynen E01H 1/1206 15/257.6 5,829,671 A * 11/1998 Hawk E01H 1/1206 229/103 5,865,486 A * 2/1999 Bussani E01H 1/1206 15/257.1 5,878,461 A * 3/1999 Killian A47L 13/52 15/257.1 5,979,745 A * 11/1999 Surlina B65D 5/4208 229/106 D418,261 S * 12/1999 Betts D30/162 6,036,628 A * 3/2000 Romer B65D 5/0209 493/468 D422,210 S * 4/2000 Sturkie D9/707 6,045,170 A * 4/2000 Allen E01H 1/1206 294/1.3</p>	<p>D423,926 S * 5/2000 Kellar D9/415 6,126,215 A * 10/2000 Jahns E01H 1/1206 294/1.3 D436,531 S * 1/2001 Holmes D9/415 6,170,740 B1 * 1/2001 Clark B65D 5/0209 229/104 D438,105 S * 2/2001 Conner D9/430 D443,749 S * 6/2001 Albuquerque D99/5 D484,972 S * 1/2004 Steele, IV D9/707 D490,943 S * 6/2004 Logan D30/162 6,832,796 B1 * 12/2004 Minassians E01H 1/1206 294/1.3 D509,728 S * 9/2005 Kato D9/415 D519,832 S * 5/2006 Demathieu D9/430 D556,053 S * 11/2007 Keberlein D9/734 D568,763 S * 5/2008 Keberlein D9/433 D580,782 S * 11/2008 Murray D9/707 7,451,909 B2 * 11/2008 Sexton B42D 15/045 229/128 D584,168 S * 1/2009 Murray D9/710 D585,736 S * 2/2009 Dowd D9/431 D592,504 S * 5/2009 Jacobsson D9/435 7,690,509 B2 * 4/2010 Herring B60S 1/3848 206/461 D628,059 S * 11/2010 Perkins-Stanaford D9/418 D628,903 S * 12/2010 Caldwell D9/711 D640,549 S * 6/2011 Atkin D9/431 D640,551 S * 6/2011 Perkins-Stanaford D9/431 D695,101 S * 12/2013 Keberlein D9/416 D697,790 S * 1/2014 Iwegbu D9/420 D711,218 S * 8/2014 Jacobs D9/414 9,102,436 B2 * 8/2015 Rajter, Jr. B65D 5/103 D766,081 S * 9/2016 Adler A45C 7/0095 D9/414 D772,075 S * 11/2016 Bell D9/708 D784,804 S * 4/2017 Peers D9/415 9,845,173 B2 * 12/2017 Herman B65D 3/06 9,920,494 B2 * 3/2018 Rivadeneira E01H 1/0836 D814,916 S * 4/2018 Hoekstra D9/414 2003/0190097 A1 * 10/2003 Hajianpour B65D 33/007 383/9 2003/0222465 A1 * 12/2003 Fonfrias E01H 1/1206 294/1.3 2005/0006914 A1 * 1/2005 Turner E01H 1/1206 294/1.3 2006/0260554 A1 * 11/2006 Lau E01H 1/1206 119/161 2006/0279097 A1 * 12/2006 Jones E01H 1/1206 294/1.3 2007/0245970 A1 * 10/2007 You E01H 1/1206 119/161 2008/0048463 A1 * 2/2008 Selenke E01H 1/1206 294/1.3 2008/0106108 A1 * 5/2008 Lau E01H 1/1206 294/1.3 2009/0278365 A1 * 11/2009 Hawks E01H 1/1206 294/1.3 2010/0045056 A1 * 2/2010 Greenhut E01H 1/1206 294/1.3 2010/0237640 A1 * 9/2010 Chia E01H 1/1206 294/1.3 2012/0174869 A1 * 7/2012 Deppieri E01H 1/1206 119/161 2014/0265380 A1 * 9/2014 Joseph-de Saram . E01H 1/1206 294/1.3 2014/0265381 A1 * 9/2014 Joseph-de Saram . E01H 1/1206 294/1.3 2017/0037589 A1 * 2/2017 Rivadeneira E01H 1/0836</p>
--	---

* cited by examiner

(57)

CLAIM

The ornamental design for a pet waste collector, as shown and described.

DESCRIPTION

FIG. 1 is a top view of a pet waste collector shown in a closed, folded flat configuration in which the scooper element is situated above the handle element;

FIG. 2 is a bottom view of the pet waste collector of FIG. 1;

FIG. 3 is a top view of the pet waste collector in an open flat configuration shown with the connected handle and scooper;

FIG. 4 is a bottom view of the pet waste collector shown in FIG. 3;

FIG. 5 is a rear perspective view of the pet waste collector in a first open expanded configuration and shown with the scooper being disconnected from the handle;

FIG. 6 is a front perspective view of the pet waste collector shown in FIG. 5;

FIG. 7 is a top view of the pet waste collector shown in FIG. 5;

FIG. 8 is a bottom view of the pet waste collector shown in FIG. 5;

FIG. 9 is a right side view of the pet waste collector shown in FIG. 5;

FIG. 10 is a left side view of the pet waste collector shown in FIG. 5;

FIG. 11 is a perspective view of the pet waste collector in a second open, expanded configuration; and,

FIG. 12 is a perspective view of the pet waste collector in a closed expanded configuration.

1 Claim, 9 Drawing Sheets

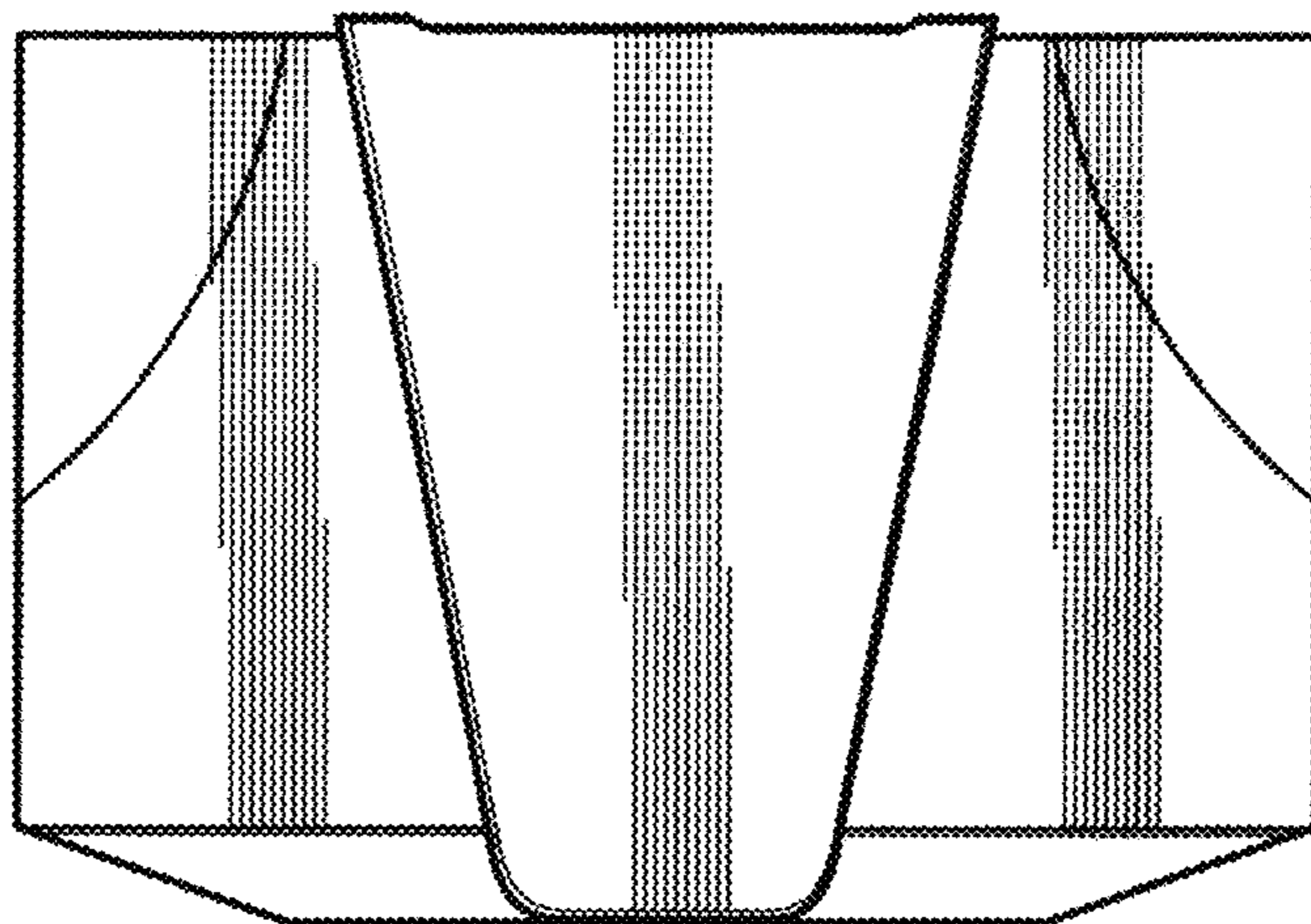


FIG. 1

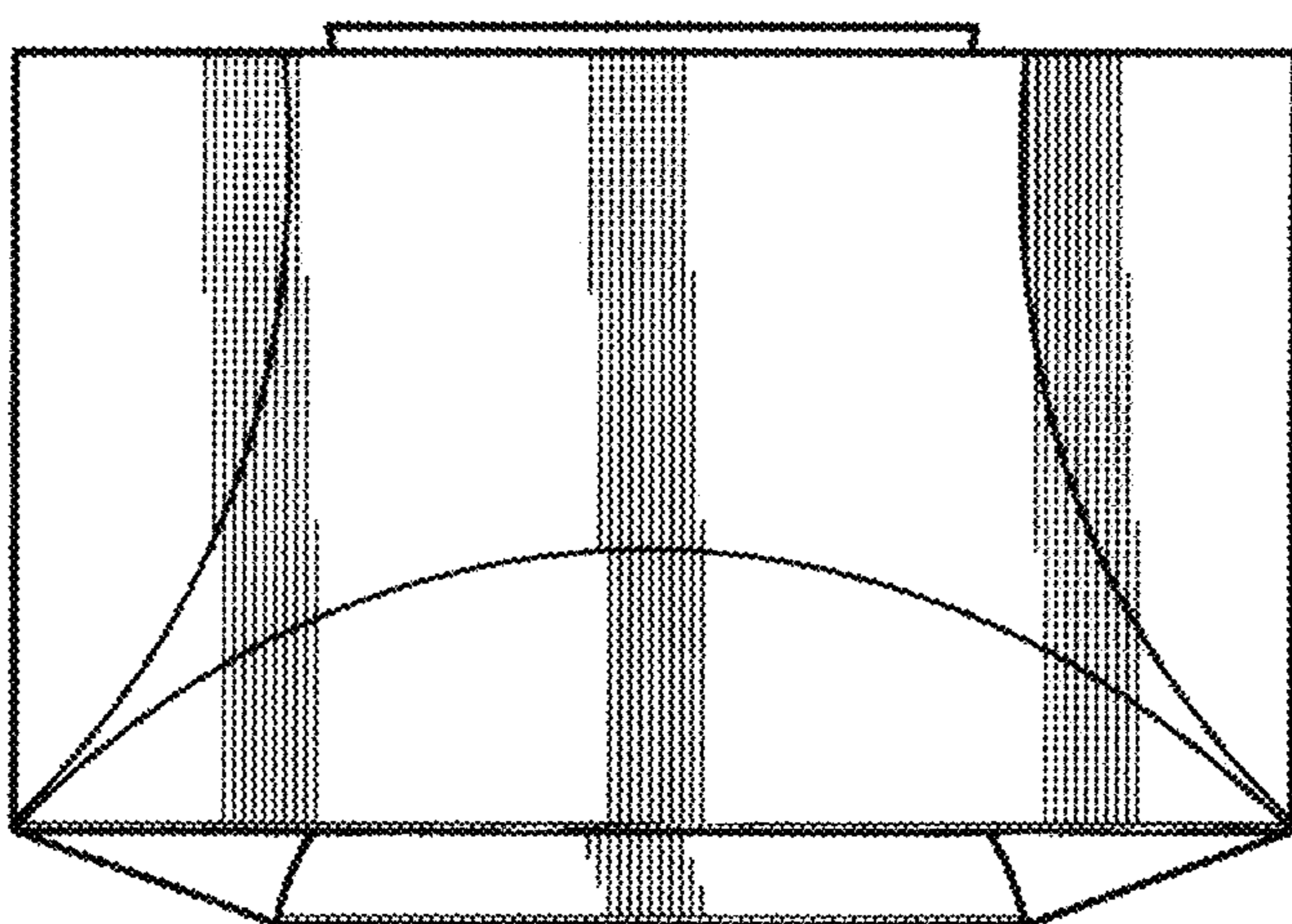


FIG. 2

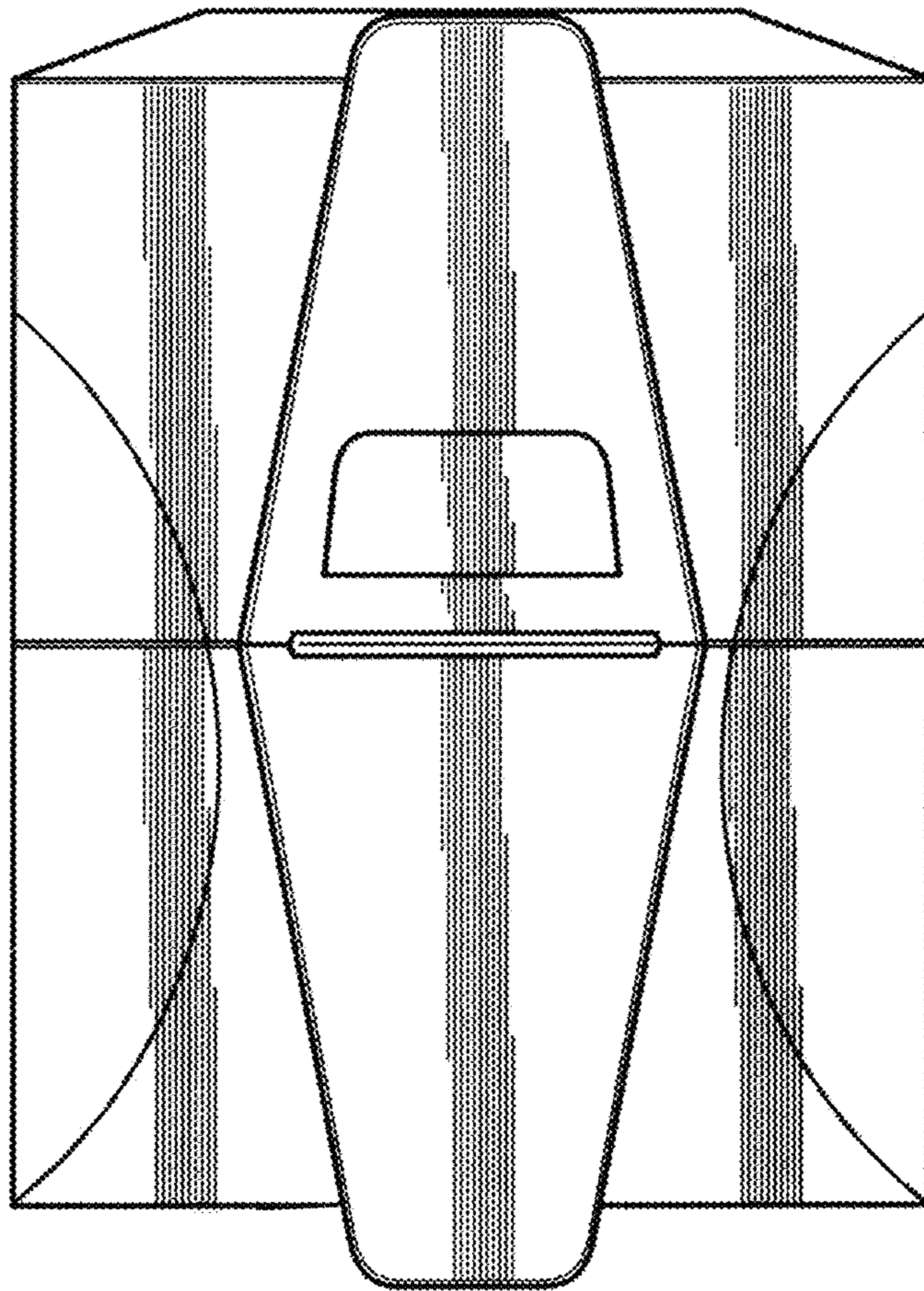


FIG. 3

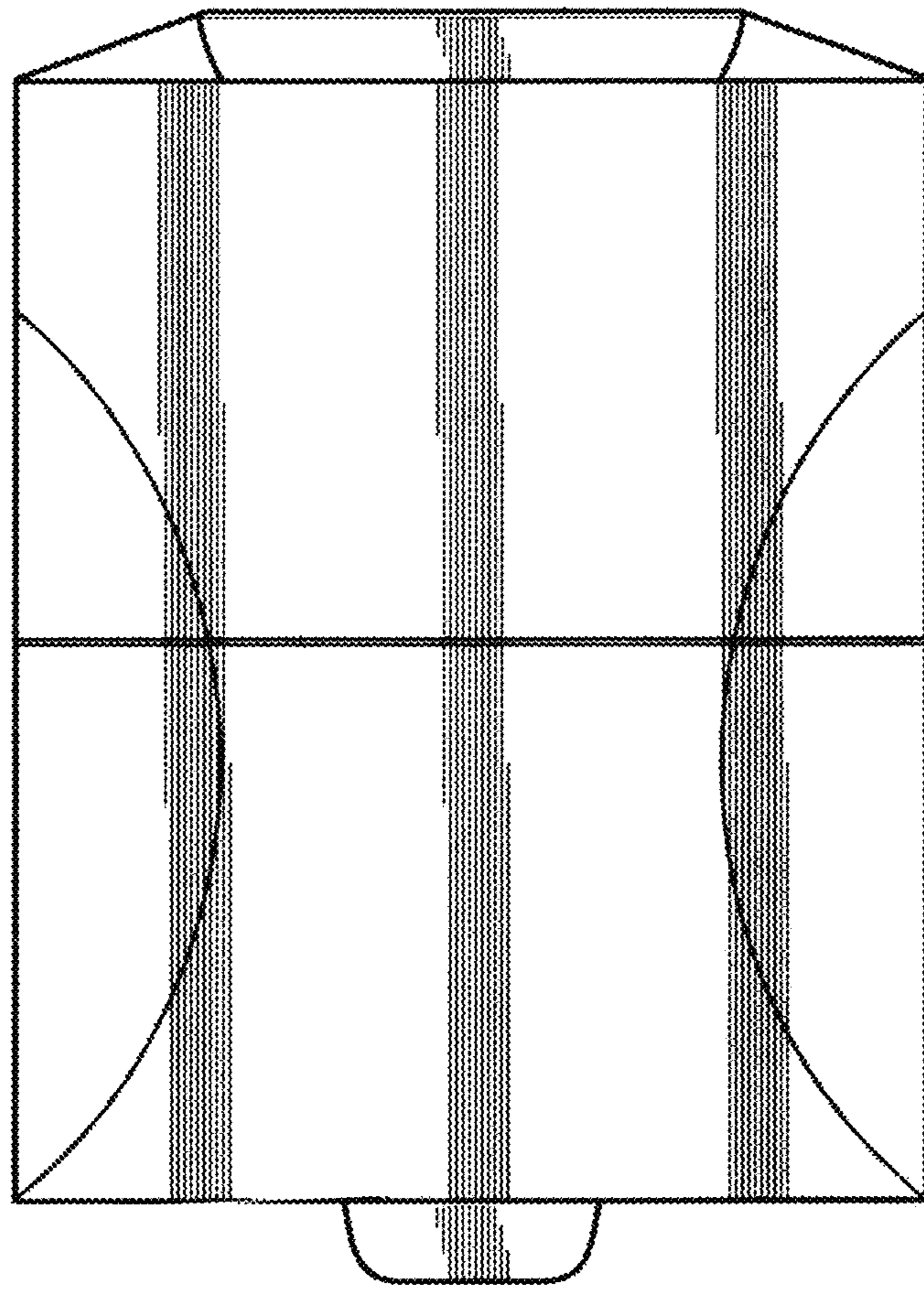


FIG. 4

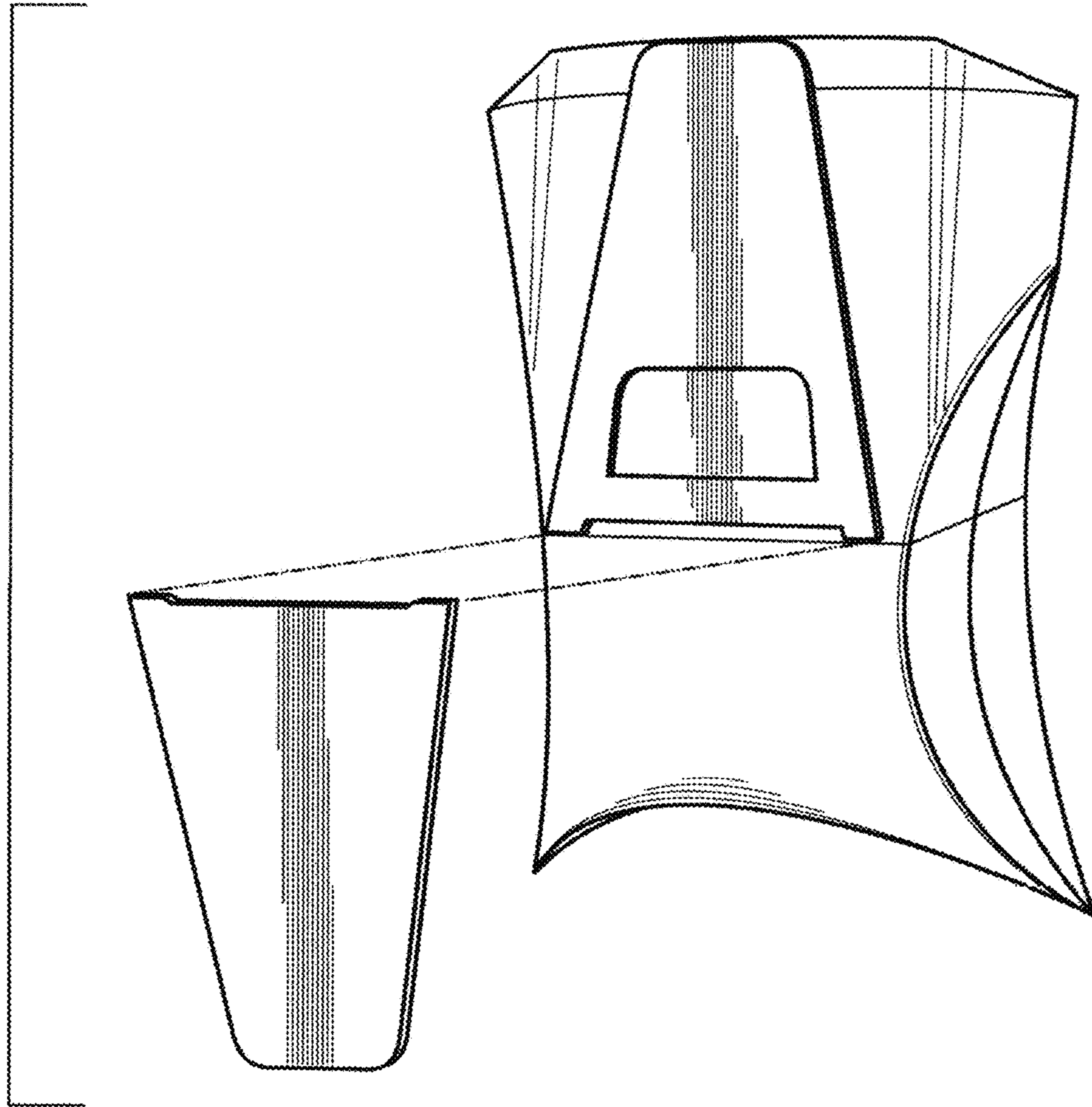


FIG. 5

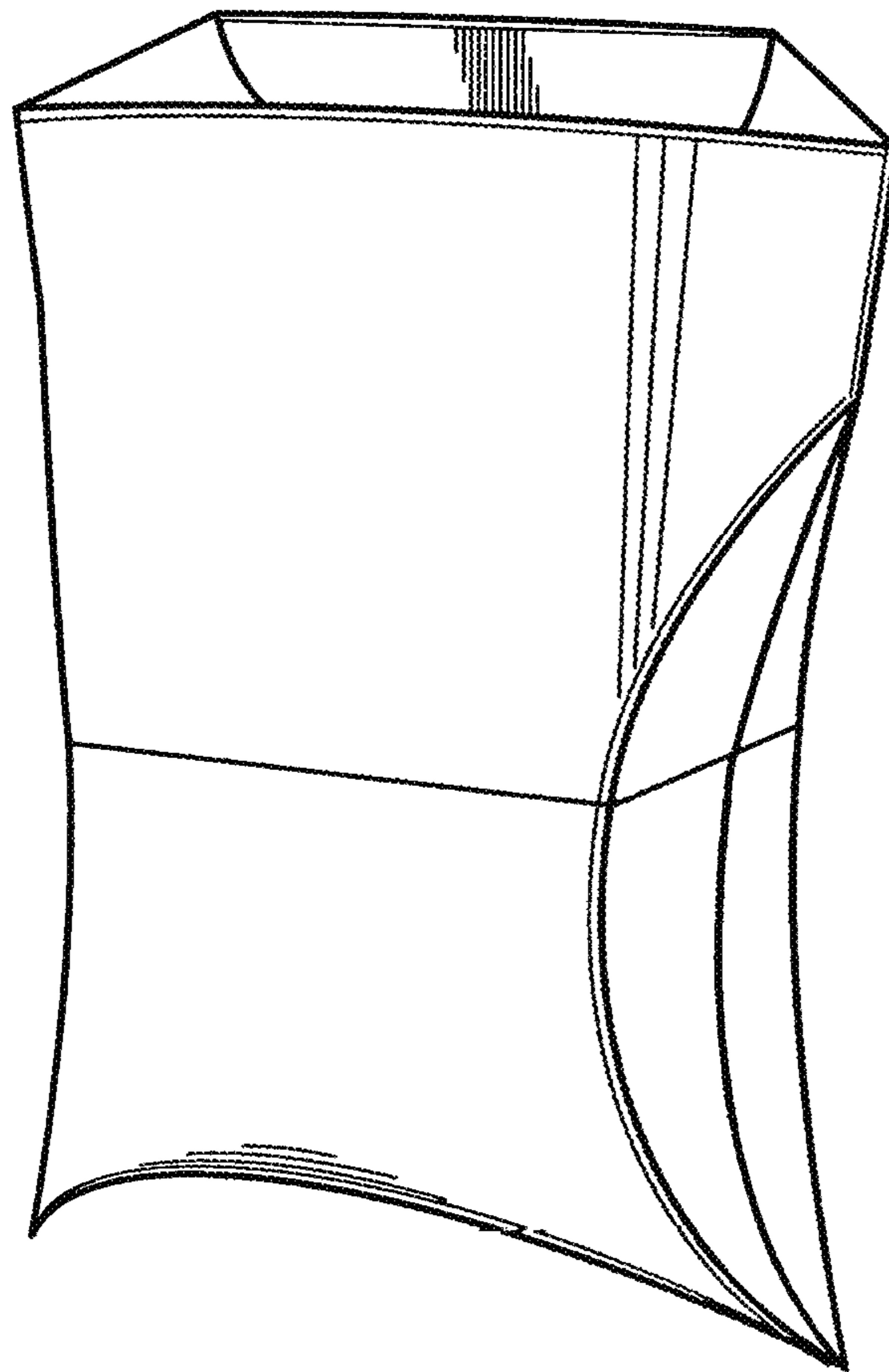


FIG. 6

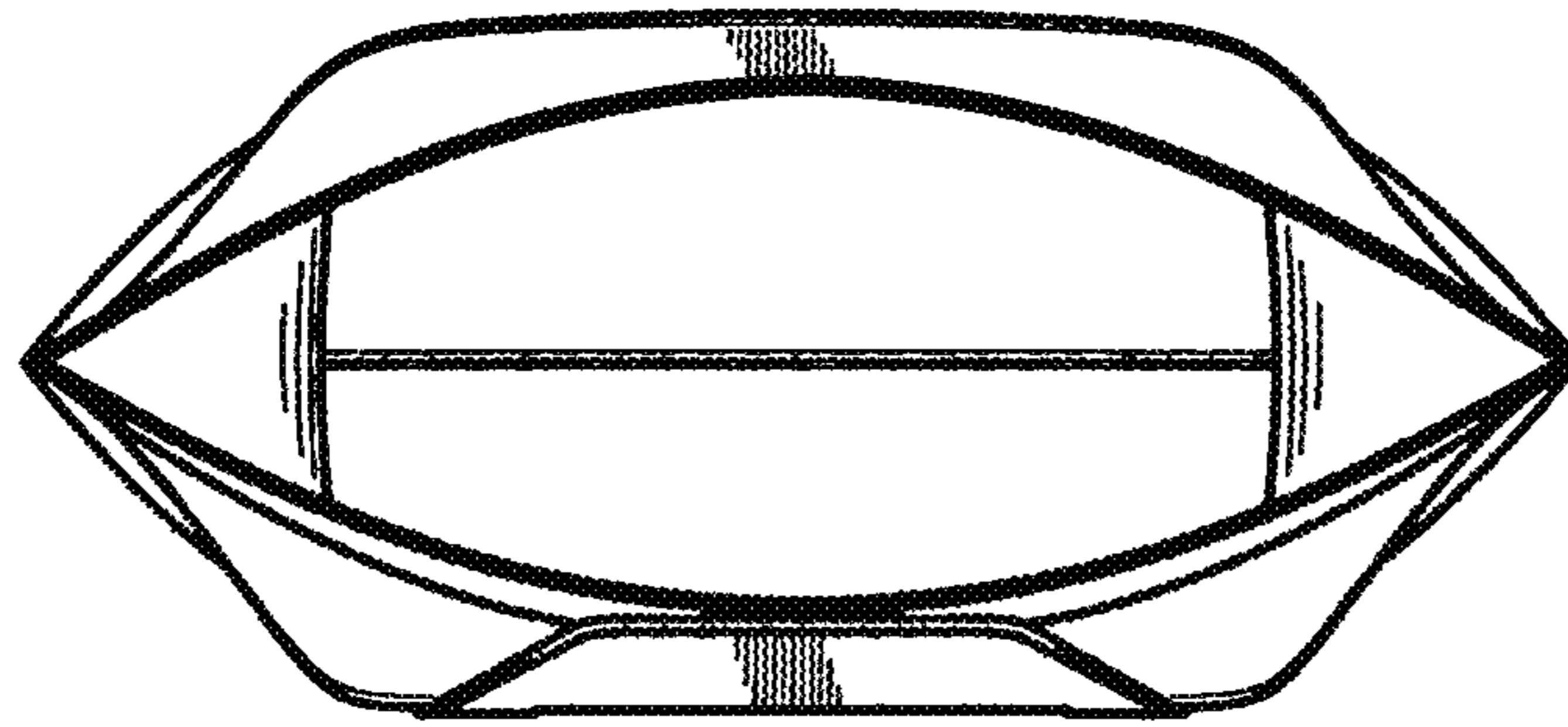


FIG. 7

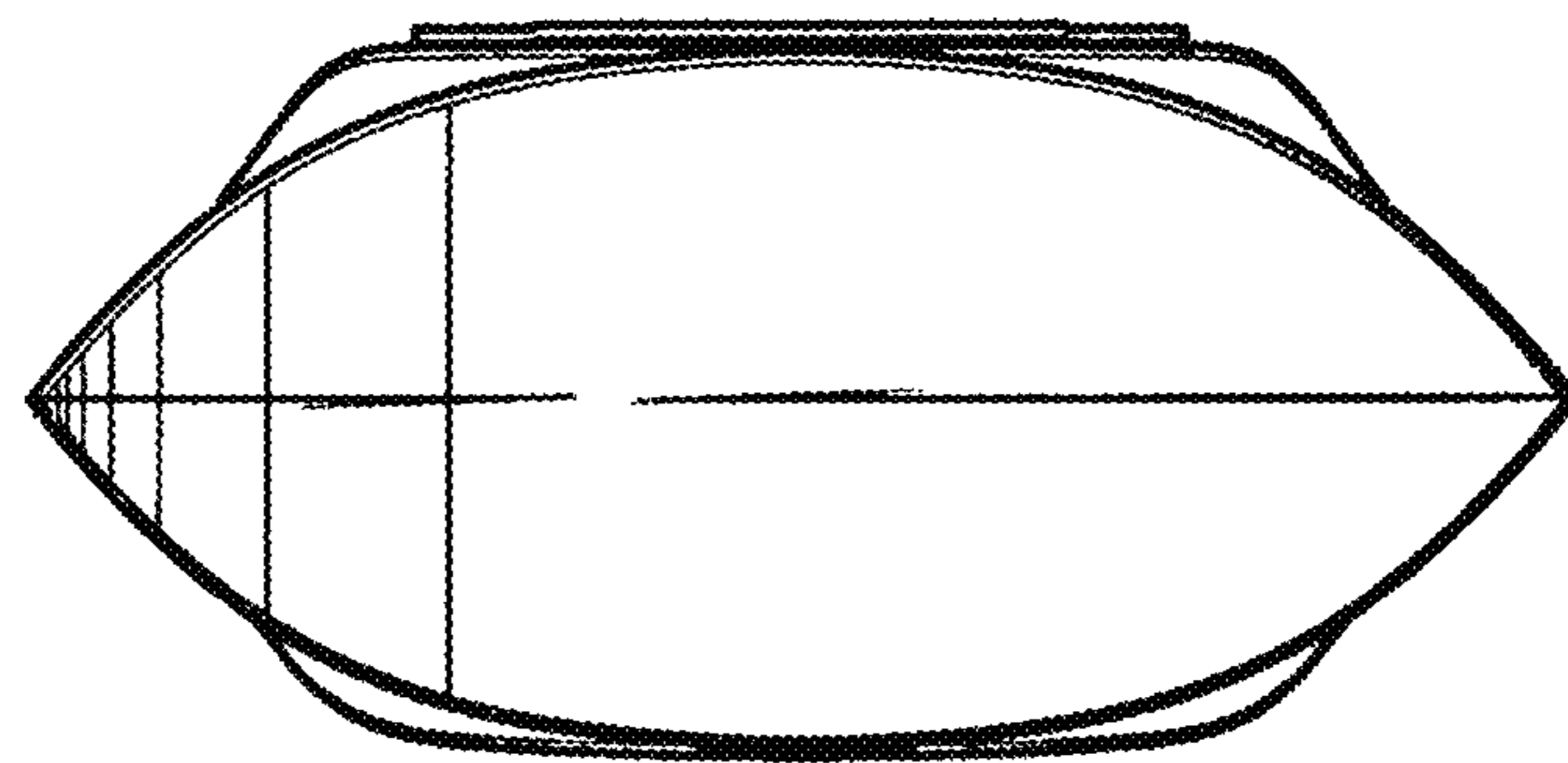


FIG. 8

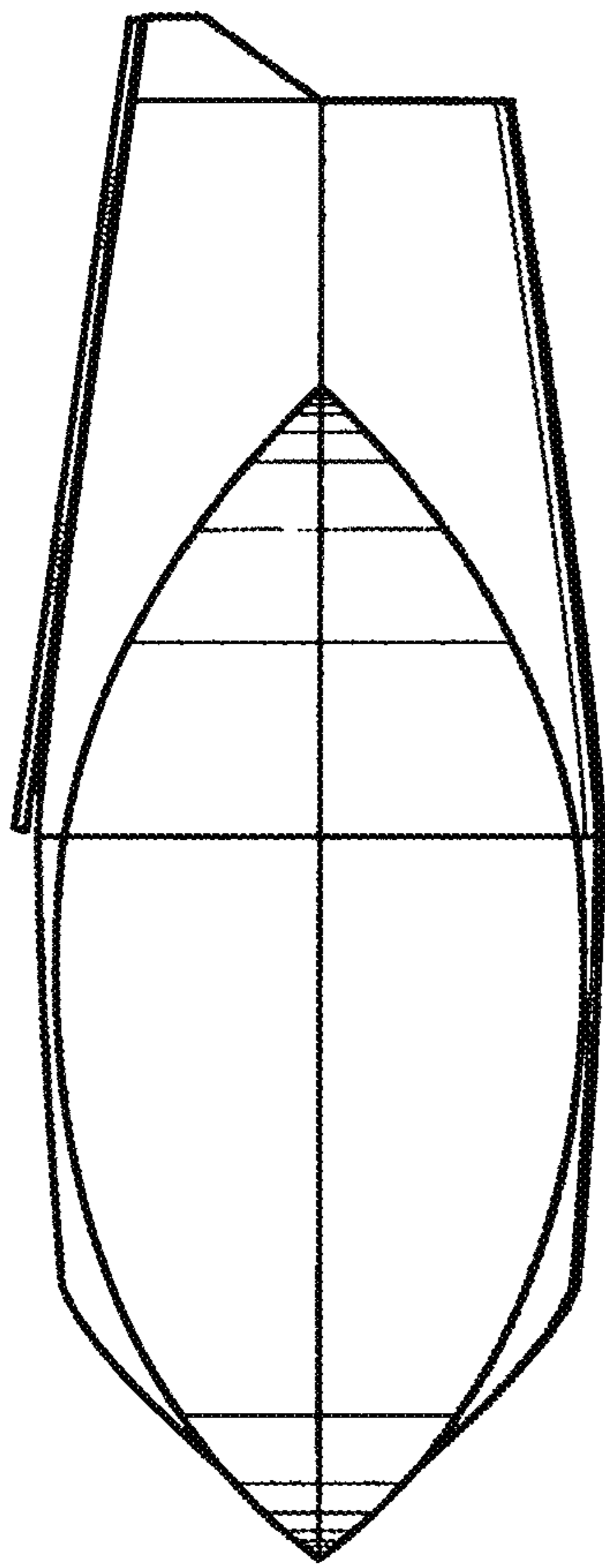


FIG. 10

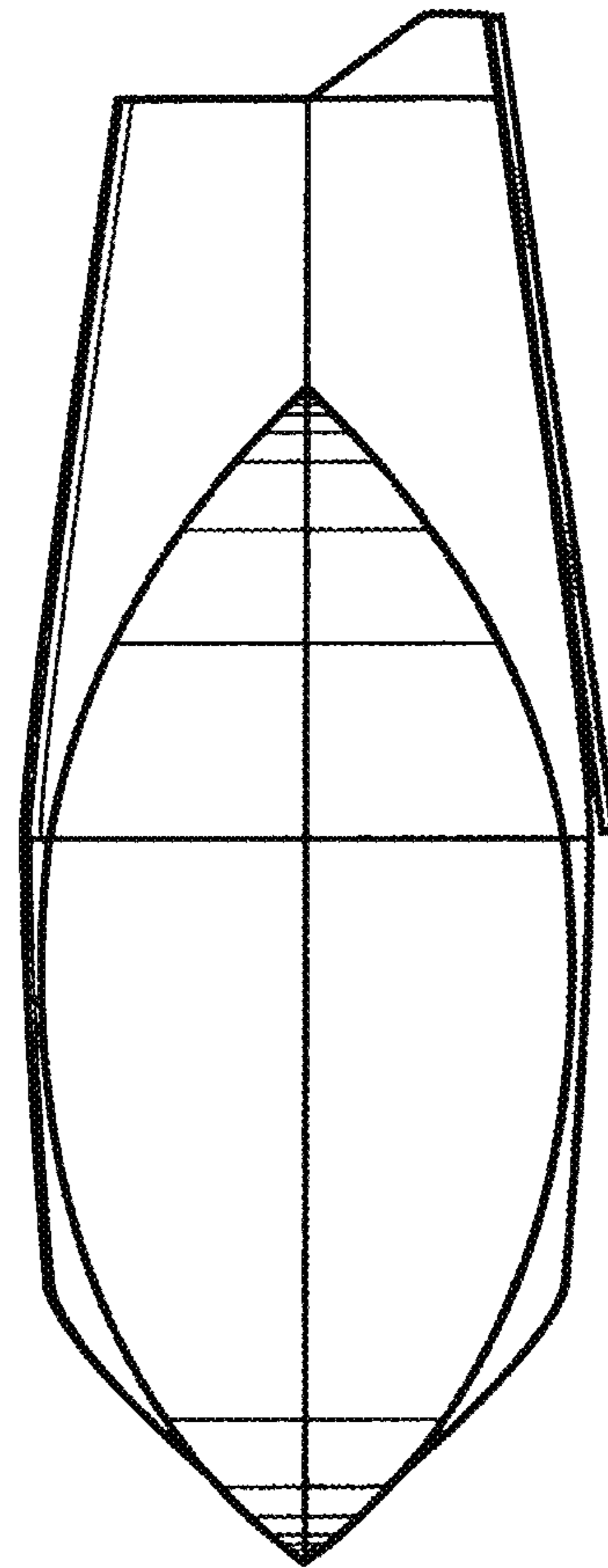


FIG. 9

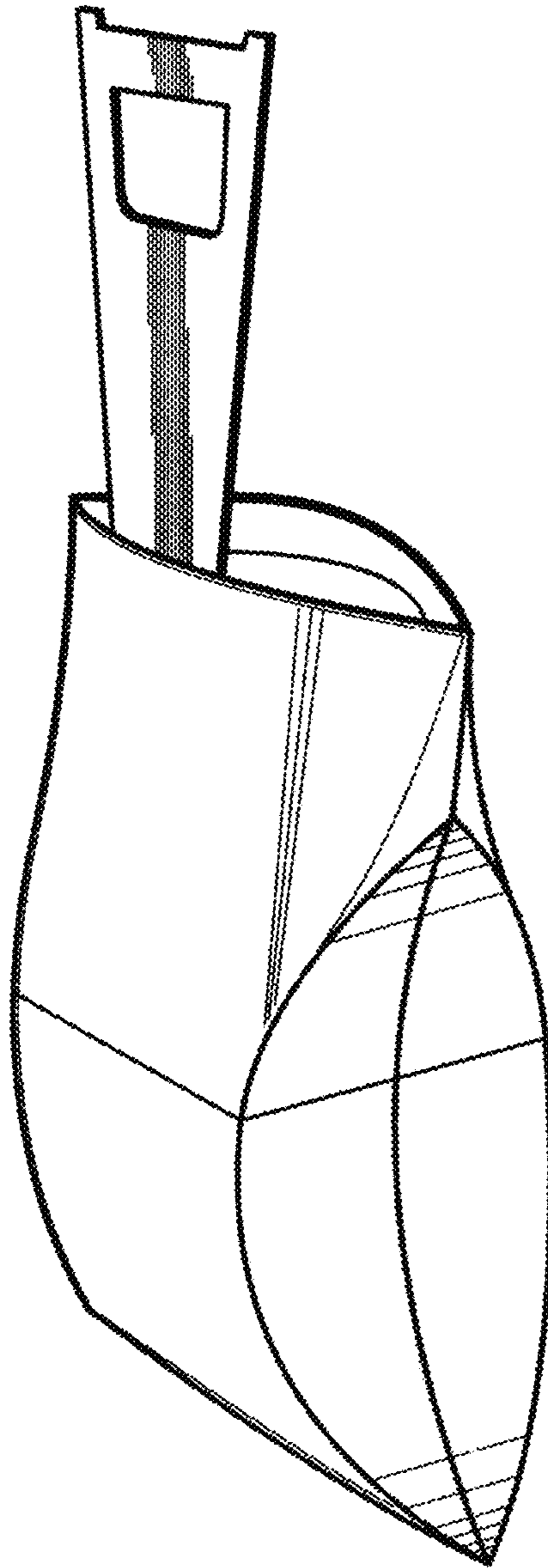


FIG. 11

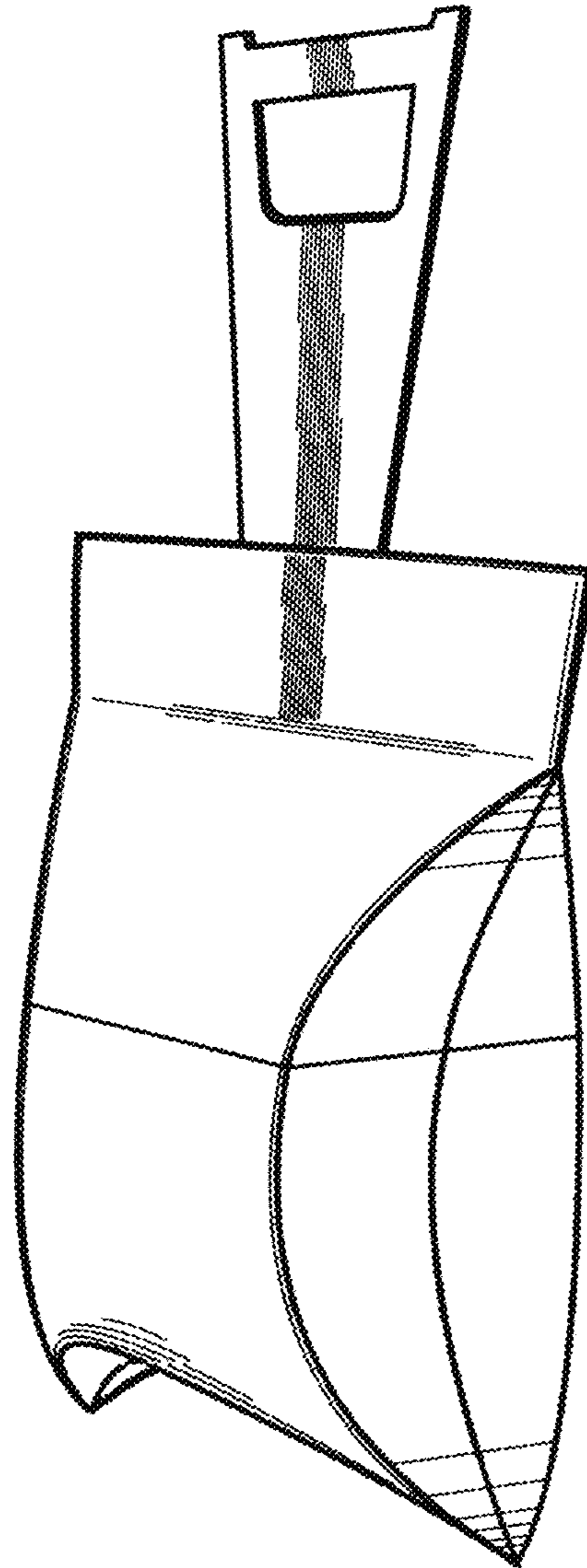


FIG. 12