



US00D825864S

(12) **United States Design Patent**
Jelati

(10) **Patent No.:** **US D825,864 S**

(45) **Date of Patent:** **** Aug. 14, 2018**

(54) **KNEE PAD APPARATUS**

5,937,440 A * 8/1999 Ferriter A41D 13/065
2/24

(71) Applicant: **Housam Jelati**, Dearborn, MI (US)

D638,995 S * 5/2011 Hanlon D29/121.1

(72) Inventor: **Housam Jelati**, Dearborn, MI (US)

9,433,247 B1 * 9/2016 Harris A41D 13/065

D784,622 S * 4/2017 Pierce D29/121.1

(**) Term: **15 Years**

* cited by examiner

(21) Appl. No.: **29/629,065**

Primary Examiner — Randall H Gholson

(22) Filed: **Dec. 11, 2017**

(74) *Attorney, Agent, or Firm* — Cramer Patent & Design,
PLLC; Aaron R. Cramer

Related U.S. Application Data

(63) Continuation of application No. 15/383,250, filed on
Dec. 19, 2016, now abandoned.

(51) **LOC (11) Cl.** **29-02**

(52) **U.S. Cl.**

USPC **D29/121.1**

(58) **Field of Classification Search**

USPC D29/10, 11, 100, 101.5, 121.1, 122;
D2/711, 713; 128/95.1, 96.1, 98.1, 846,
128/891; 602/67, 72, 73, 96, 108, 114;
2/2, 455; 450/38, 228, 267, 403, 405;
623/7; 604/352, 353, 395

CPC A41D 13/05; A41D 13/0525; A63B 71/08
See application file for complete search history.

(56) **References Cited**

U.S. PATENT DOCUMENTS

D322,146 S * 12/1991 Anderson D29/121.1
5,711,029 A * 1/1998 Visco A41D 13/0568
2/22

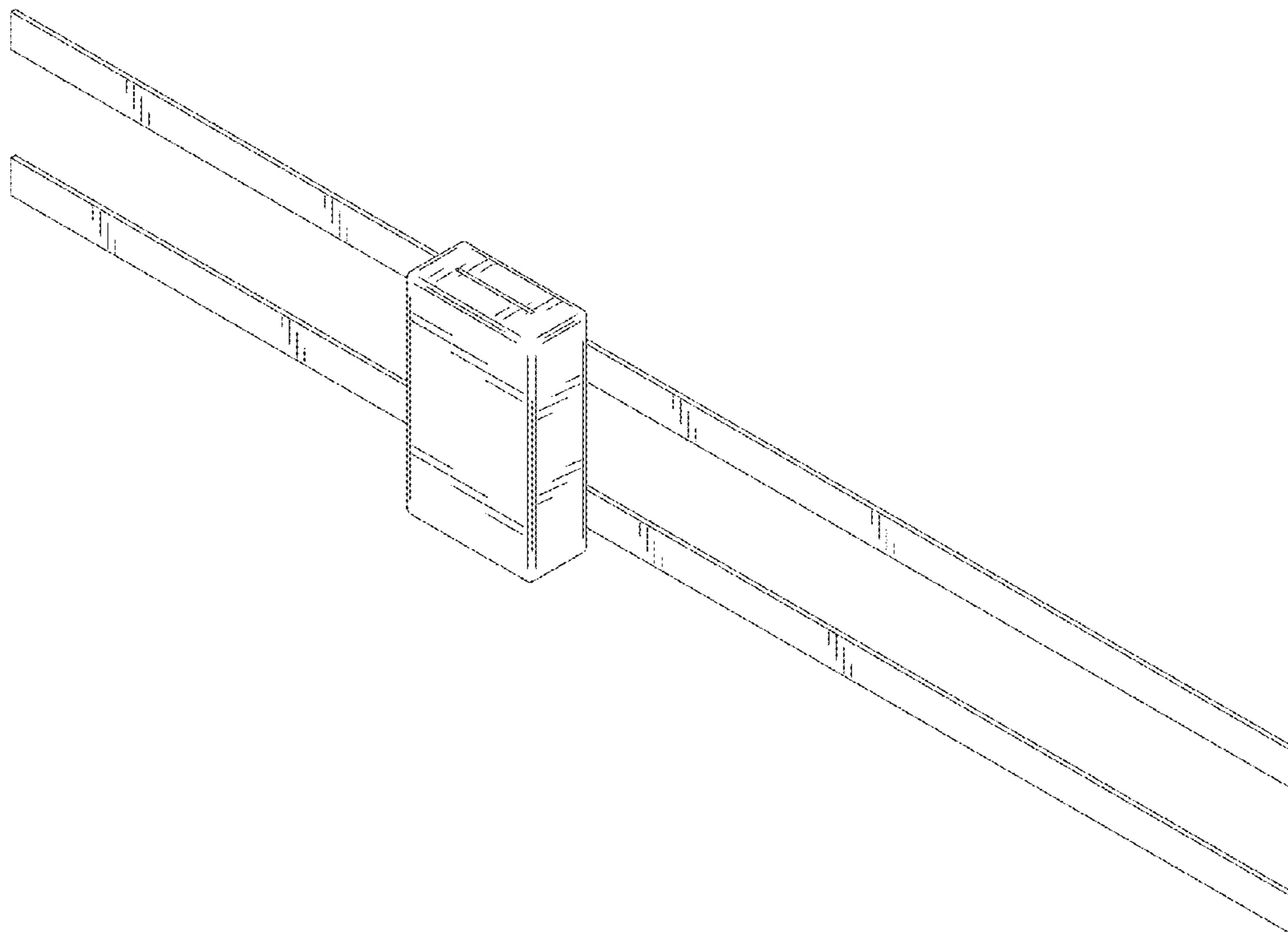
(57) **CLAIM**

The ornamental design for a knee pad apparatus, as shown
and described.

DESCRIPTION

FIG. 1 is a top front perspective view of the knee pad
apparatus, showing my new design;
FIG. 2 is a top rear perspective view thereof;
FIG. 3 is a front elevation view thereof;
FIG. 4 is a rear side elevation view thereof;
FIG. 5 is a right-side elevation view thereof;
FIG. 6 is a left-side elevation view thereof;
FIG. 7 is a top plan view thereof; and,
FIG. 8 is a bottom plan view thereof.

1 Claim, 8 Drawing Sheets



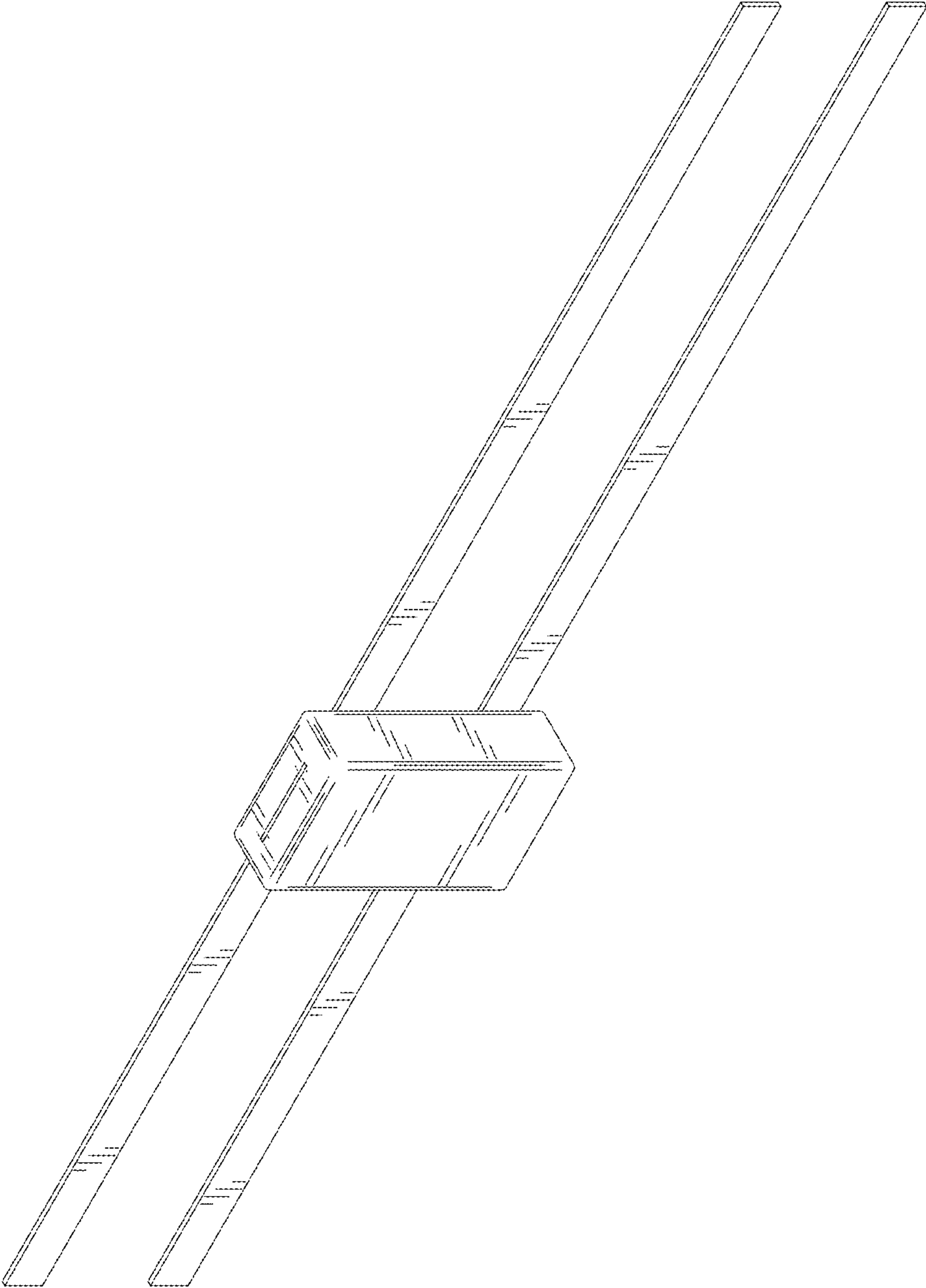


FIG. 1

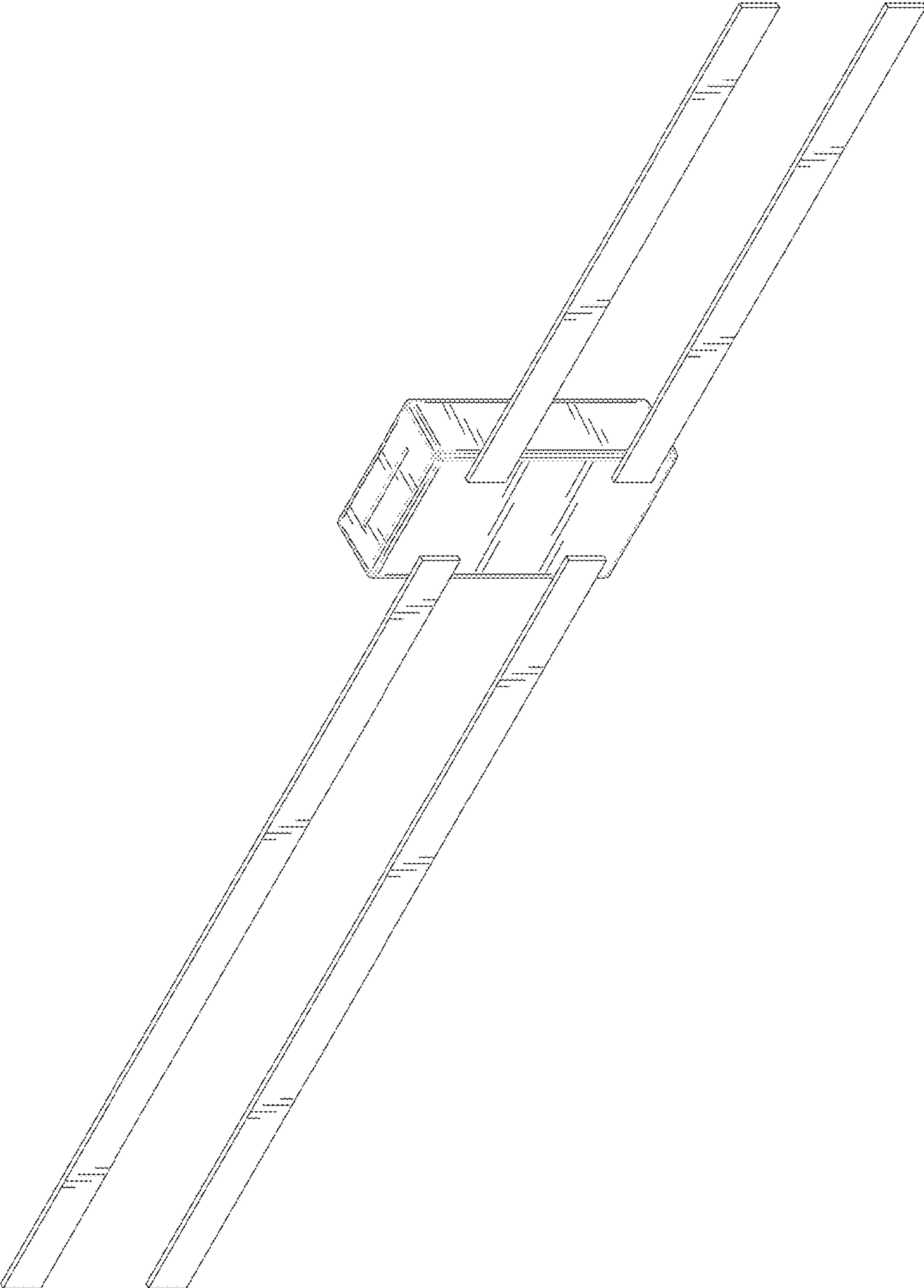


FIG. 2

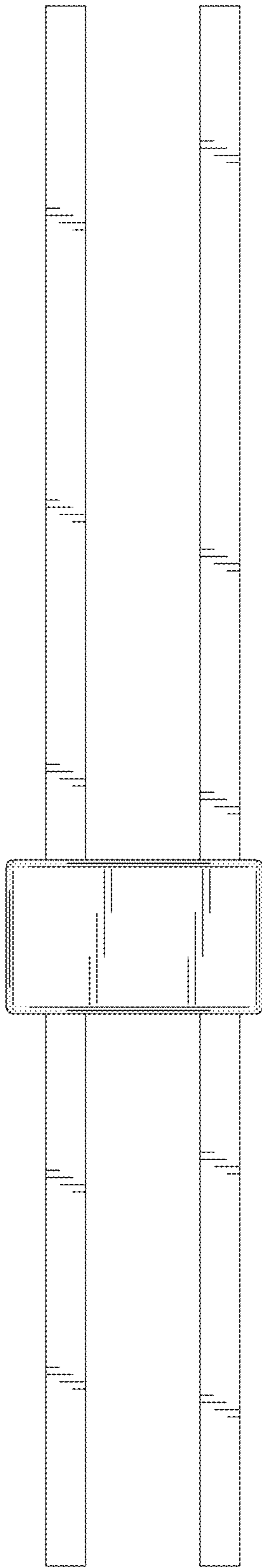


FIG. 3

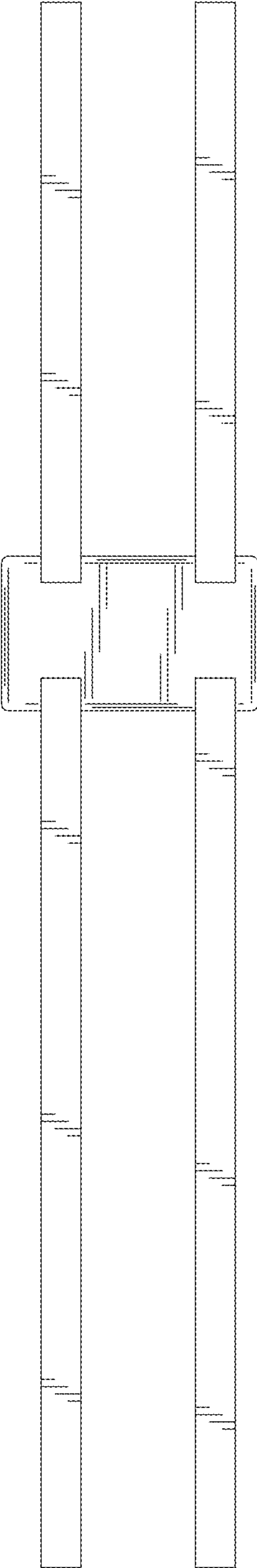


FIG. 4

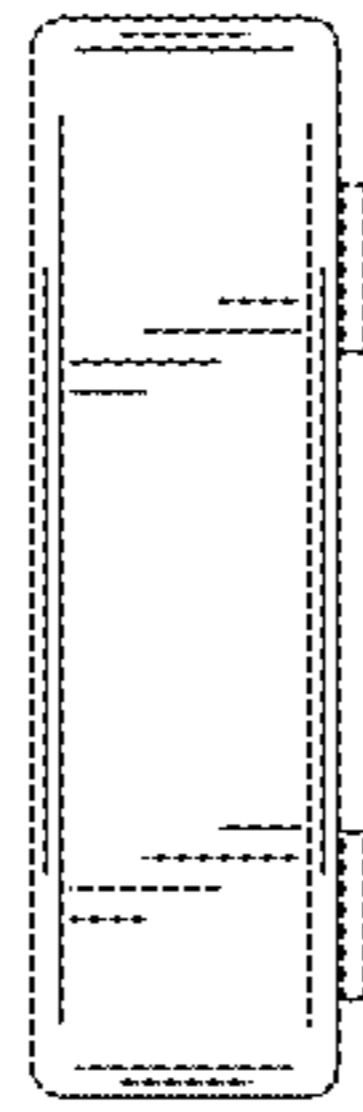


FIG. 5

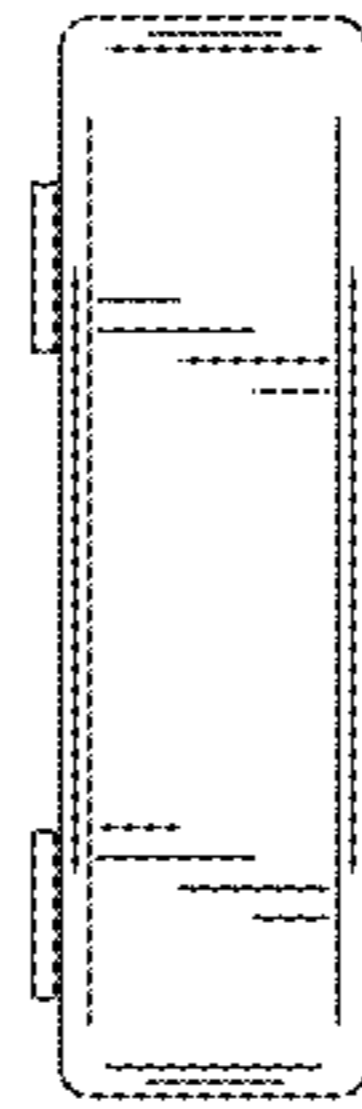


FIG. 6

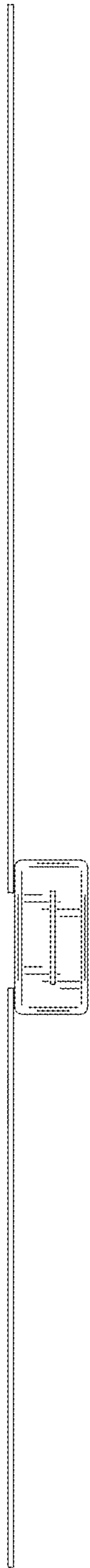


FIG. 7

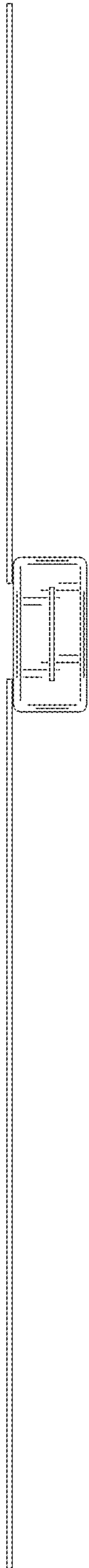


FIG. 8