



US00D825855S

(12) **United States Design Patent**
Keita

(10) **Patent No.:** **US D825,855 S**

(45) **Date of Patent:** **** Aug. 14, 2018**

(54) **NAIL SANITIZER**

(71) Applicant: **Safiatou Keita**, Boston, MA (US)

(72) Inventor: **Safiatou Keita**, Boston, MA (US)

(73) Assignee: **Safiatou Keita**, Boston, MA (US)

(**) Term: **15 Years**

(21) Appl. No.: **29/592,020**

(22) Filed: **Jan. 25, 2017**

(51) **LOC (11) Cl.** **28-03**

(52) **U.S. Cl.**
USPC **D28/57**

(58) **Field of Classification Search**
USPC D28/57, 56, 59, 62; 132/74.5, 104, 73,
132/73.5, 75.3-75.8
CPC A45D 29/17; A45D 29/04; A45D 29/00;
A45D 29/11; A45D 29/18; A45D
2029/045
See application file for complete search history.

(56) **References Cited**

U.S. PATENT DOCUMENTS

D273,143 S * 3/1984 Jankewitz D19/163
5,588,453 A * 12/1996 Fraysher A45D 29/04
132/73
D394,128 S * 5/1998 Atkinson D28/57

D417,750 S * 12/1999 Izquierdo D28/57
7,322,107 B2 * 1/2008 Lam A45D 29/16
132/75.3
D577,461 S * 9/2008 Wittke-Kothe D24/149
D588,748 S * 3/2009 Wittke-Kothe D24/149
D588,749 S * 3/2009 Wittke-Kothe D24/149
D588,750 S * 3/2009 Wittke-Kothe D24/149
8,662,089 B2 * 3/2014 Hwang A45D 29/11
132/200

* cited by examiner

Primary Examiner — Susan Bennett Hattan

Assistant Examiner — Rebecca Tsehaye

(74) *Attorney, Agent, or Firm* — Safiatou Keita

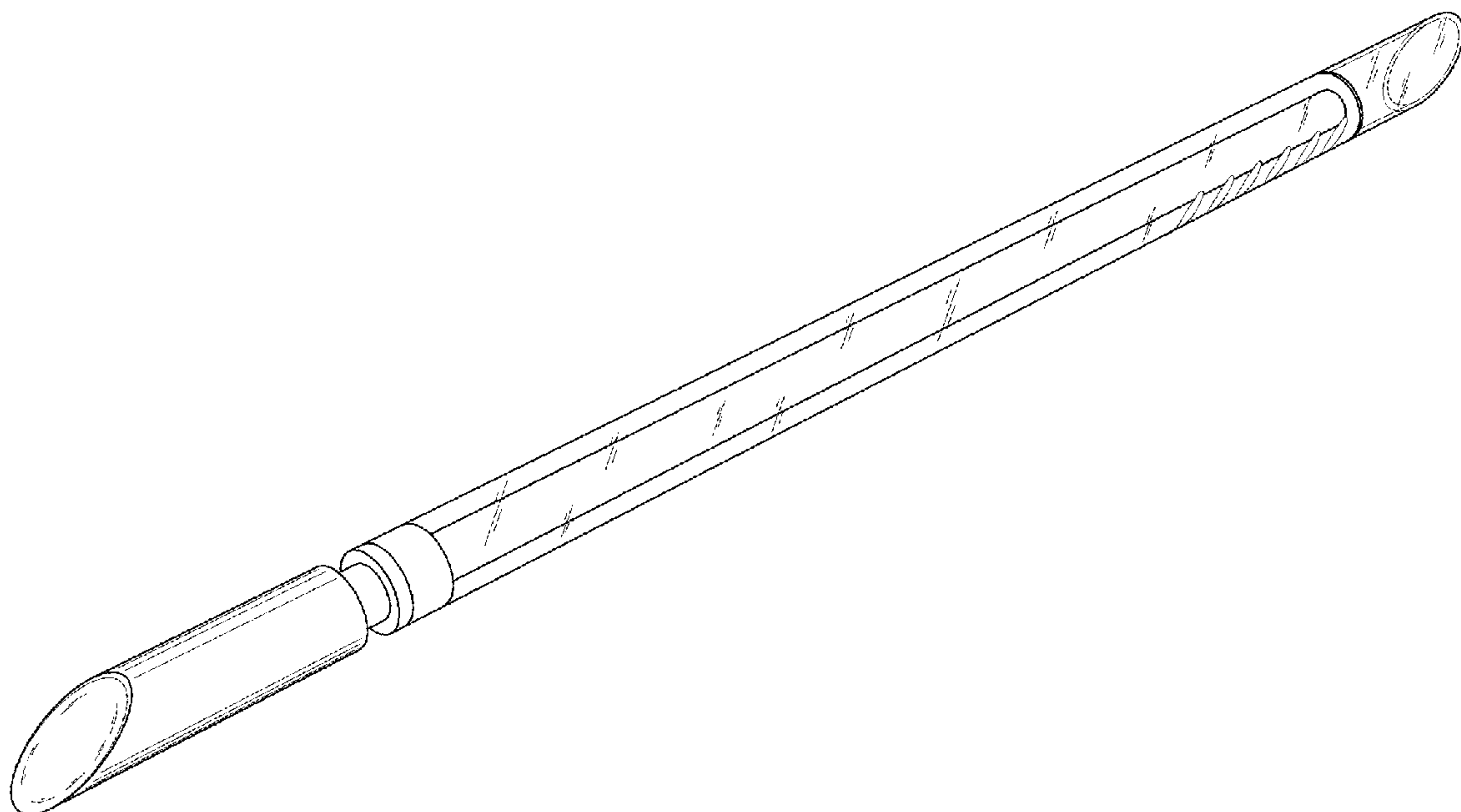
(57) **CLAIM**

The ornamental design for a nail sanitizer, as shown and described.

DESCRIPTION

FIG. 1 is a perspective view of nail sanitizer showing my new design;
FIG. 2 is a right-side view thereof;
FIG. 3 is a left-side view thereof;
FIG. 4 is a front view thereof;
FIG. 5 is a rear view thereof;
FIG. 6 is a top plan view thereof; and,
FIG. 7 is a bottom plan view thereof.

1 Claim, 6 Drawing Sheets



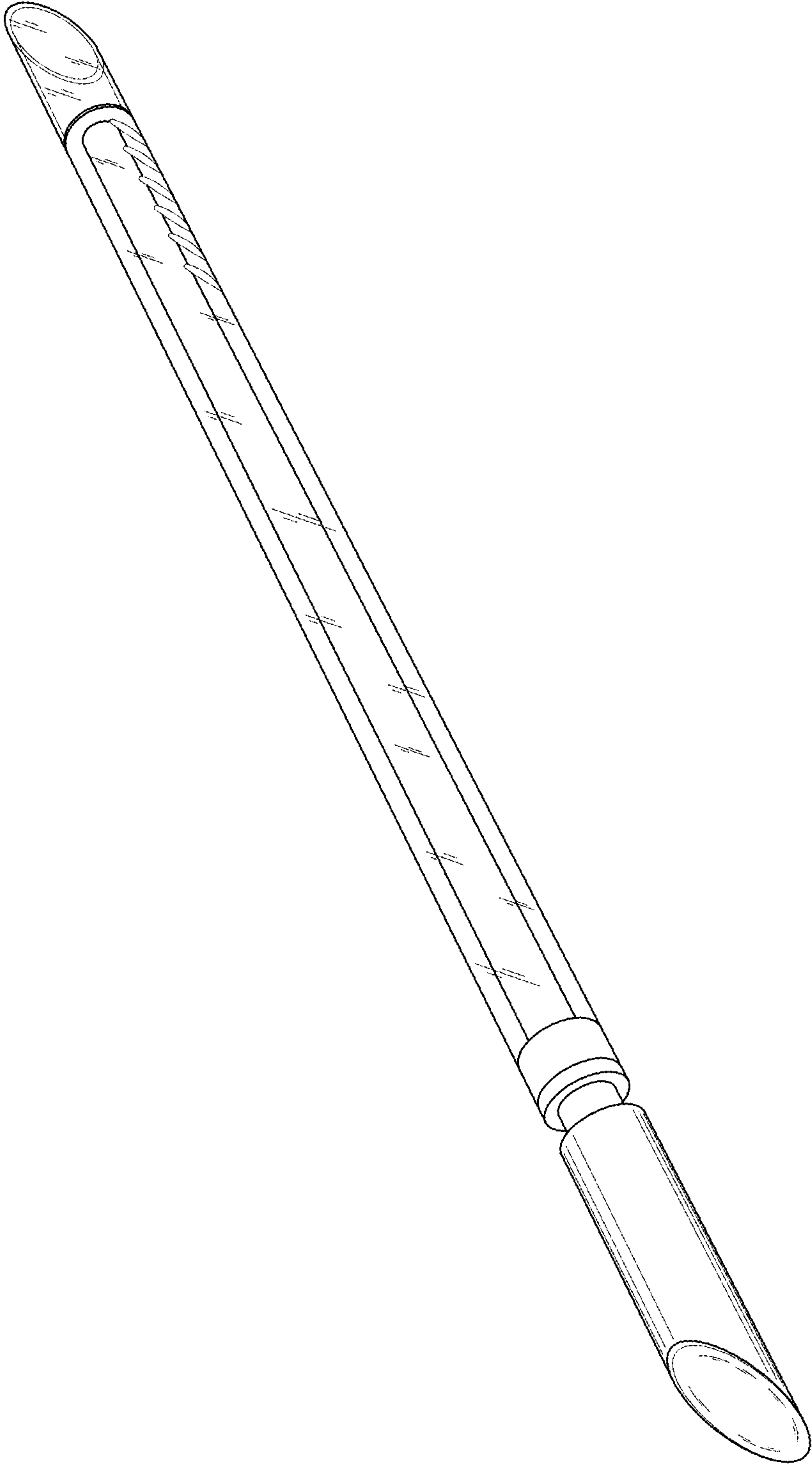


FIG. 1

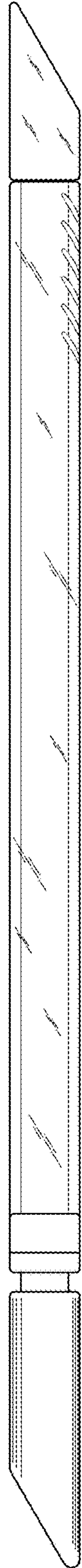


FIG. 2

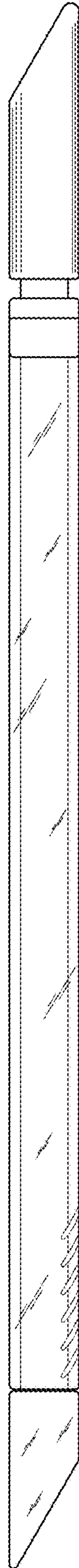


FIG. 3

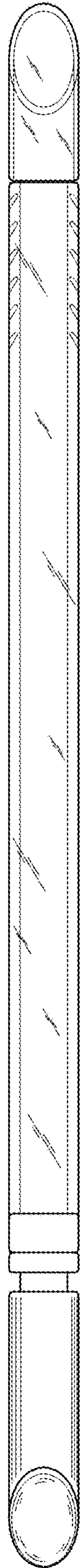


FIG. 4

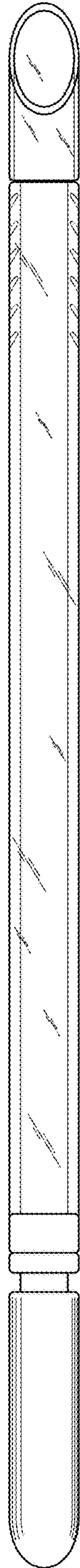


FIG. 5

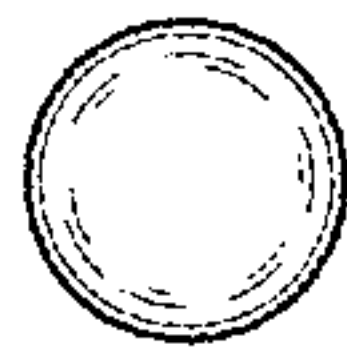


FIG. 6

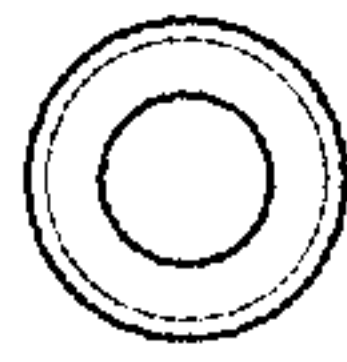


FIG. 7