



US00D825853S

(12) **United States Design Patent** (10) **Patent No.:** **US D825,853 S**
Skye (45) **Date of Patent:** **** Aug. 14, 2018**

(54) **CLIPPER BLADE PROTECTOR**
(71) Applicant: **Maiya N. Skye**, Washington, DC (US)
(72) Inventor: **Maiya N. Skye**, Washington, DC (US)
(**) Term: **15 Years**
(21) Appl. No.: **29/585,121**
(22) Filed: **Nov. 21, 2016**

Related U.S. Application Data

(62) Division of application No. 29/505,569, filed on Dec. 23, 2015, now Pat. No. Des. 776,349.
(51) **LOC (11) Cl.** **28-03**
(52) **U.S. Cl.**
USPC **D28/54**
(58) **Field of Classification Search**
USPC D28/54
CPC . B26B 19/38; B26B 19/3806; B26B 19/3826;
B26B 19/3846; B26B 19/20; B26B
19/205; B26B 19/3813; B26B 19/3853
See application file for complete search history.

(56) **References Cited**

U.S. PATENT DOCUMENTS

2,608,756	A	9/1952	Ivar
2,662,719	A	12/1953	Hammond
3,344,520	A	10/1967	Williams
D210,713	S	4/1968	Hamill
D221,501	S	9/1971	Seiffert
3,667,122	A	6/1972	Black
4,662,745	A	5/1987	Zupanick et al.
D407,531	S	3/1999	Lee
6,076,263	A	6/2000	Andis et al.
7,004,785	B2	2/2006	Melton
7,188,422	B2	3/2007	McCambridge
7,485,126	B2	2/2009	Adelman et al.
8,136,253	B2	3/2012	Zoot et al.
8,826,922	B1	9/2014	Lewis

D776,349 S * 1/2017 Skye B26B 19/3853
D28/54
D785,249 S 4/2017 Torres
2004/0250428 A1 12/2004 Melton
2004/0250429 A1 12/2004 McCambridge et al.
2009/0019706 A1 1/2009 Werner et al.
2009/0113722 A1 5/2009 Werner et al.
2009/0172957 A1 7/2009 Prudden
2010/0317938 A1 12/2010 Kuhn

(Continued)

Primary Examiner — Jennifer Rivard

(74) *Attorney, Agent, or Firm* — Cahn & Samuels, LLP

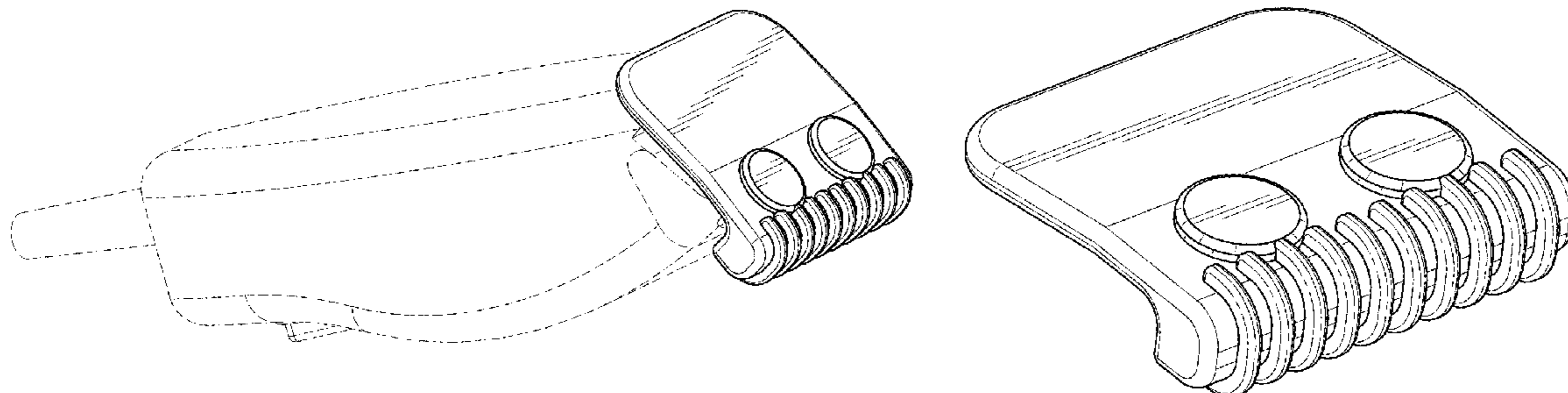
(57) **CLAIM**

The ornamental design for a clipper blade protector, as shown and described.

DESCRIPTION

FIG. 1 illustrates a front perspective view of a clipper blade protector and shown attached to a hair clipper.
FIG. 2 illustrates a front perspective view of the clipper blade protector of FIG. 1.
FIG. 3 illustrates a bottom perspective view of the clipper blade protector of FIG. 1.
FIG. 4 illustrates a top view of the clipper blade protector of FIG. 1.
FIG. 5 illustrates a bottom view of the clipper blade protector of FIG. 1.
FIG. 6 illustrates a front view of the clipper blade protector of FIG. 1.
FIG. 7 illustrates a rear view of the clipper blade protector of FIG. 1.
FIG. 8 illustrates a right side view of the clipper blade protector of FIG. 1; and,
FIG. 9 illustrates a left side view of the clipper blade protector of FIG. 1.
The broken lines illustrate the environment of the clipper blade protector and form no part of the claimed design.

1 Claim, 9 Drawing Sheets



(56)

References Cited

U.S. PATENT DOCUMENTS

2012/0110859	A1	5/2012	Kammer
2013/0192068	A1	8/2013	Kammer et al.
2013/0219724	A1	8/2013	Werner
2013/2019206		8/2013	Kammer et al.
2014/0352158	A1	12/2014	McCambridge et al.
2015/0251325	A1	9/2015	Teteak et al.

* cited by examiner

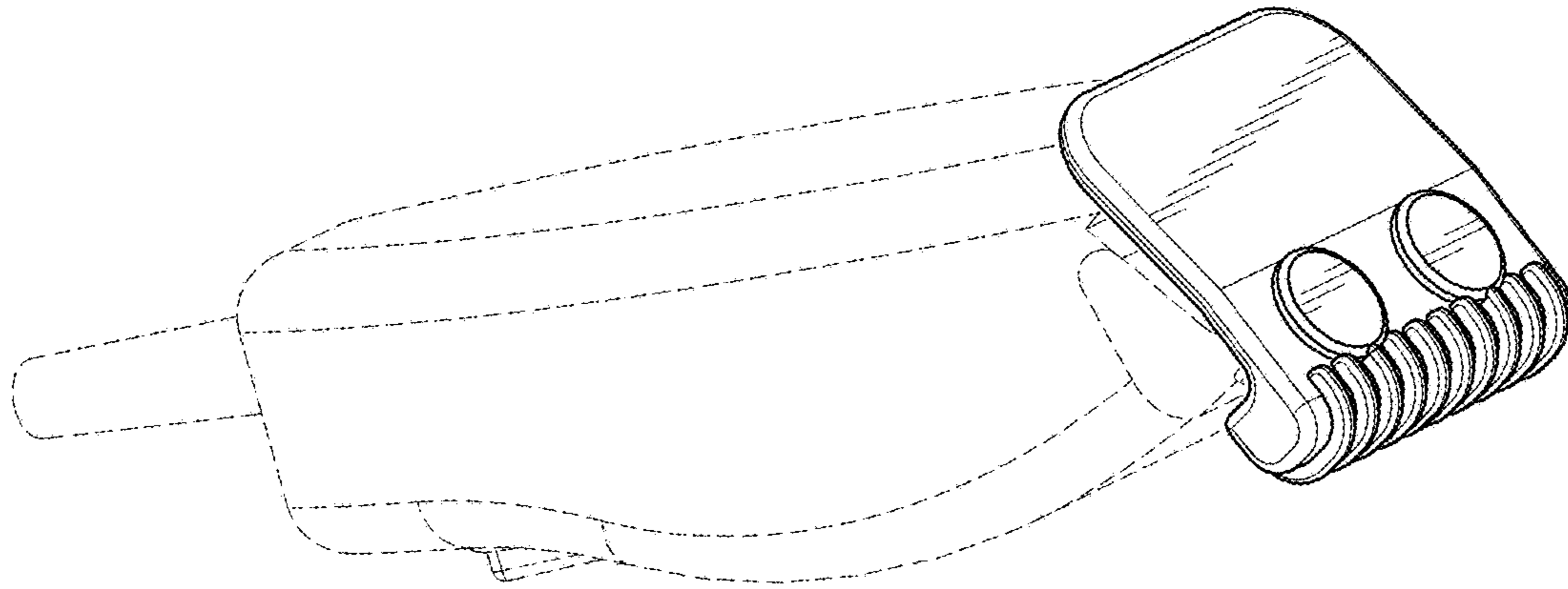


FIG. 1

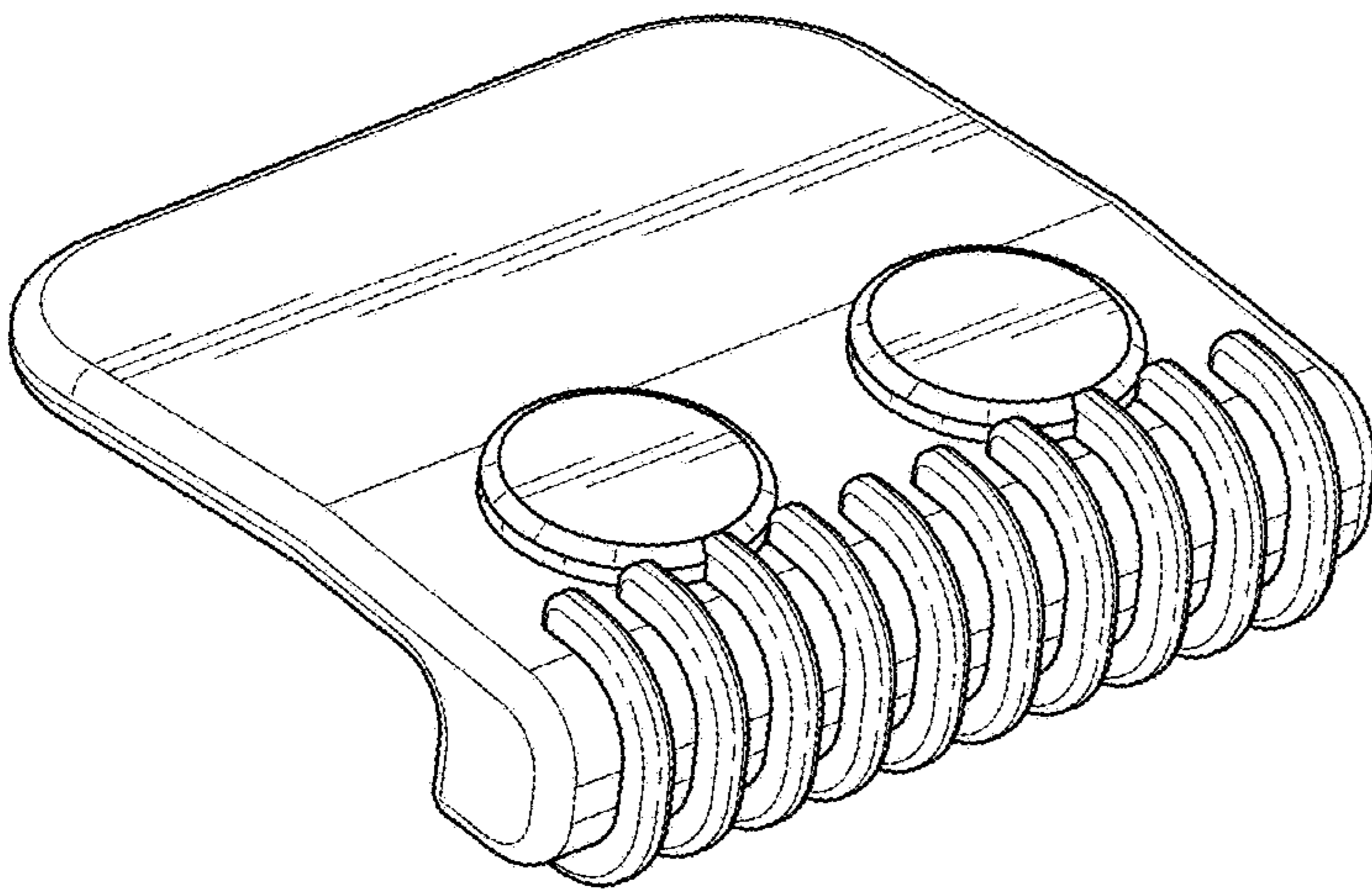
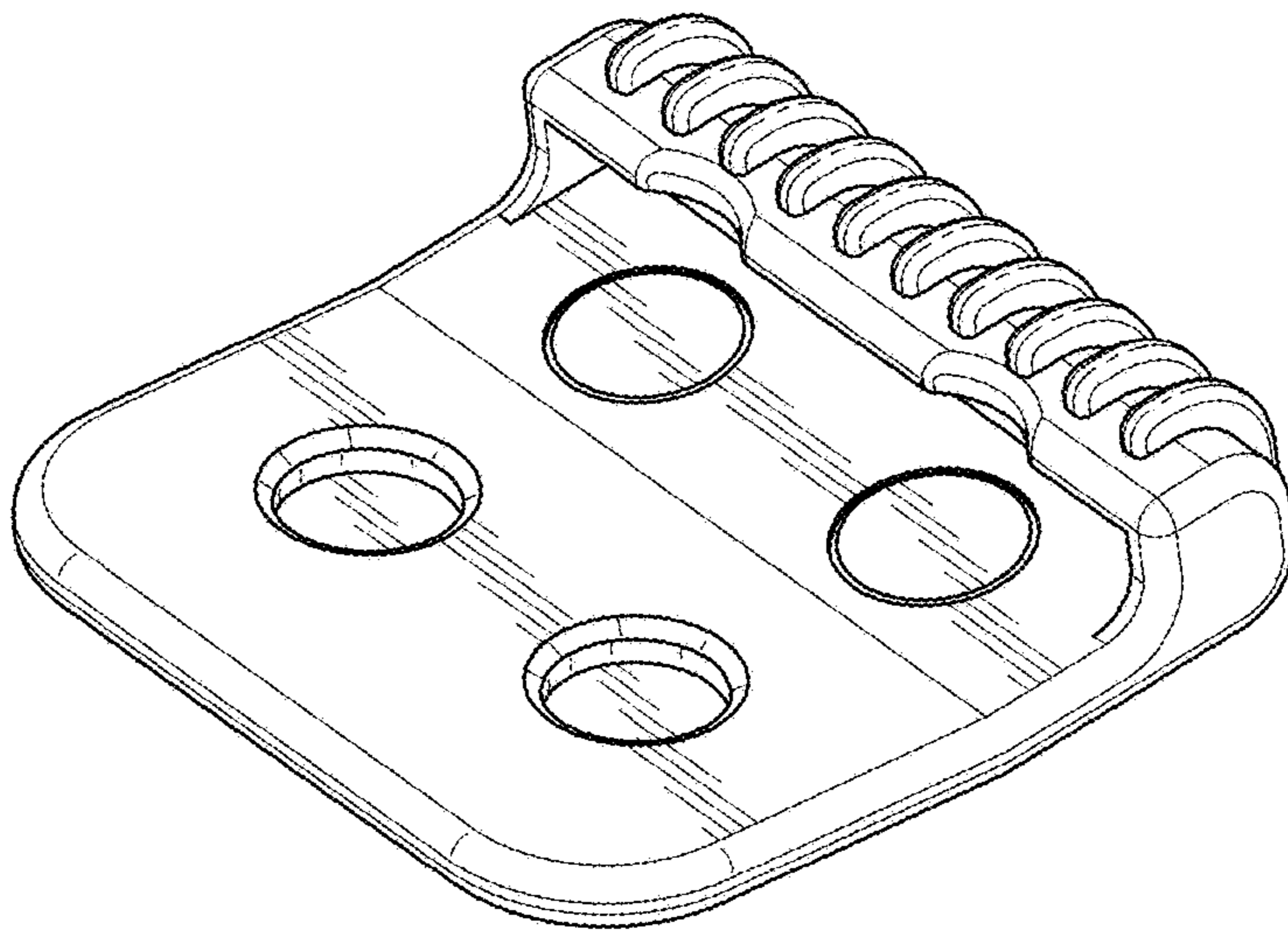


FIG. 2

FIG. 3



2/9

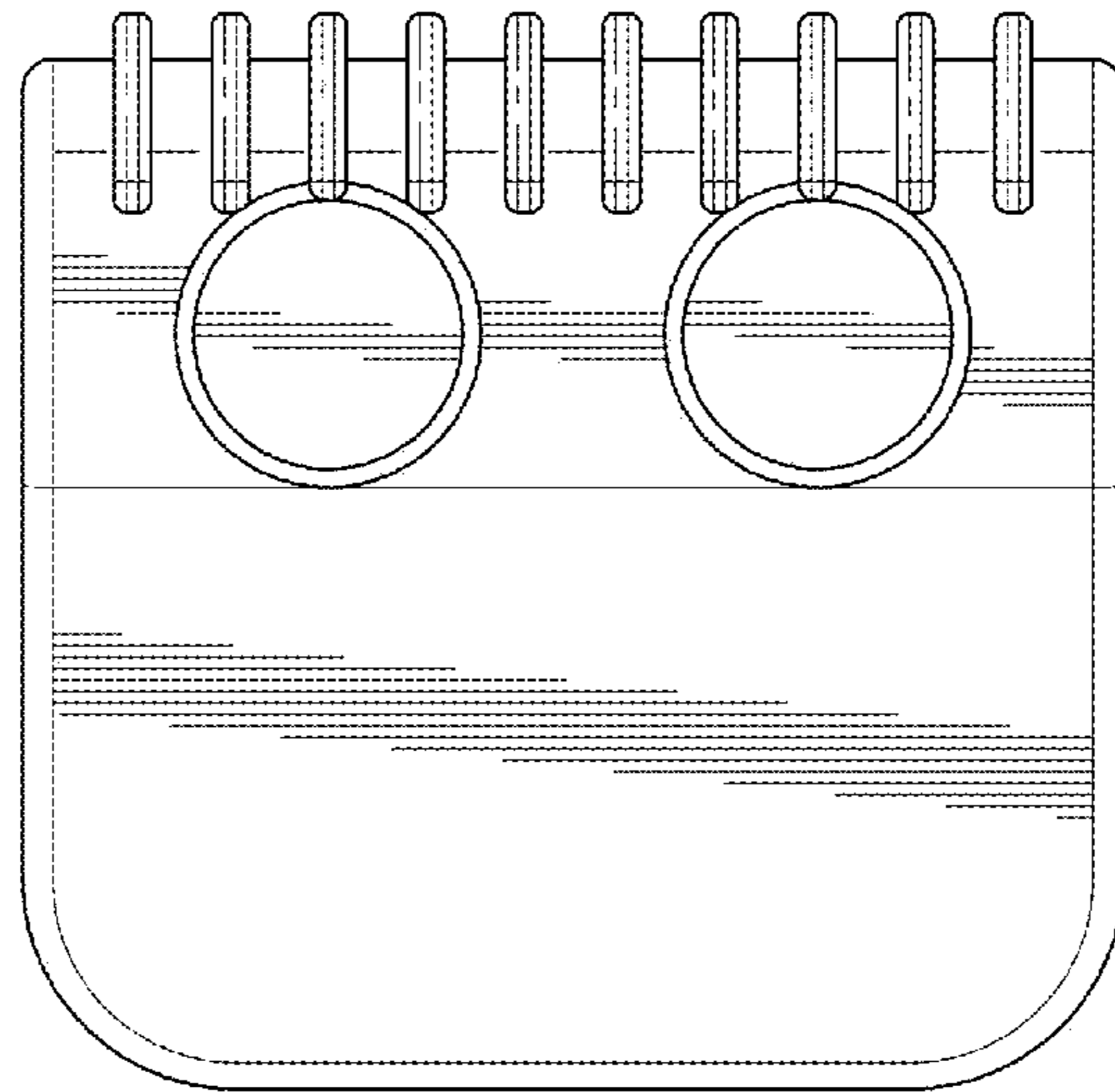


FIG. 4

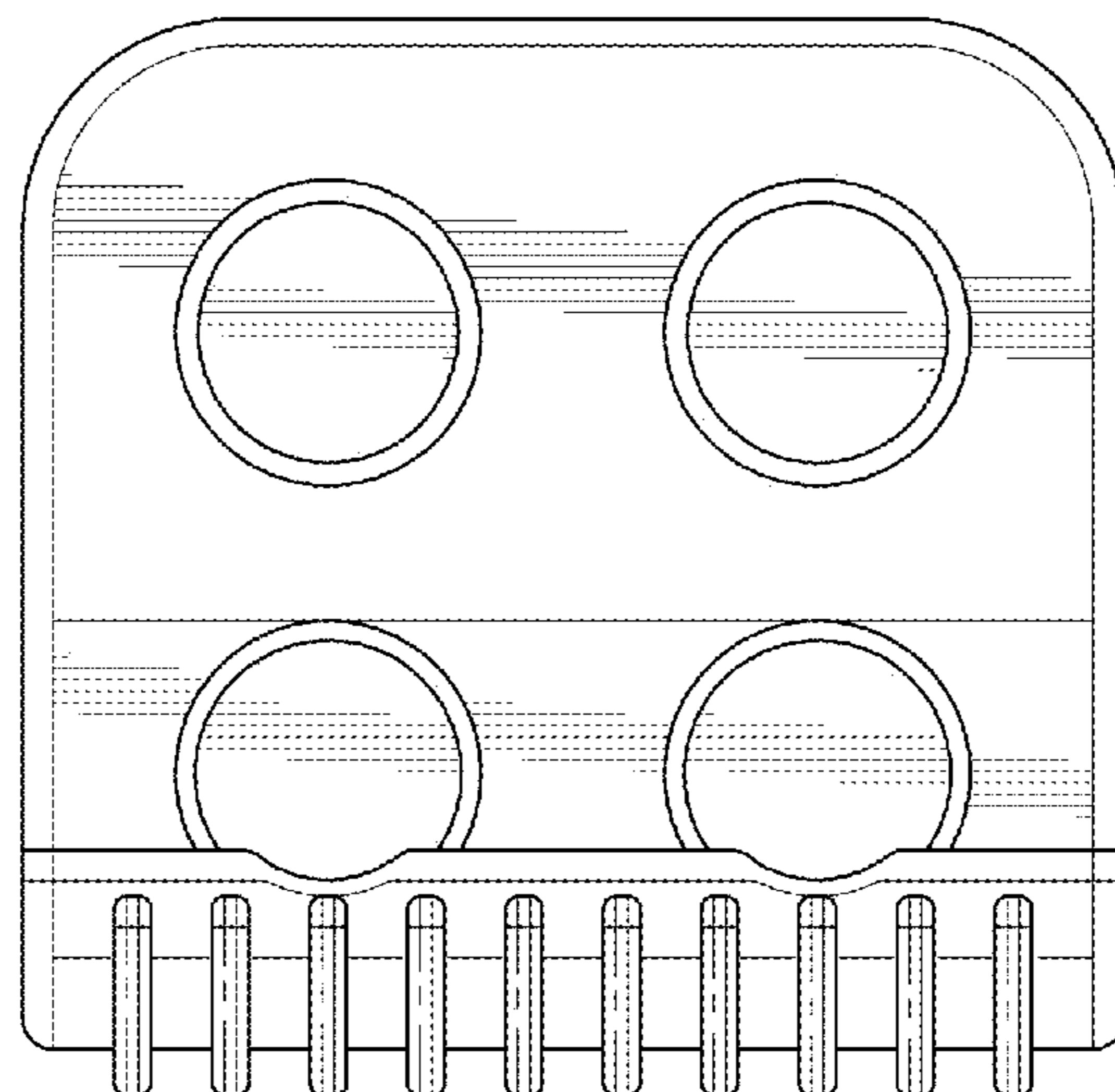


FIG. 5

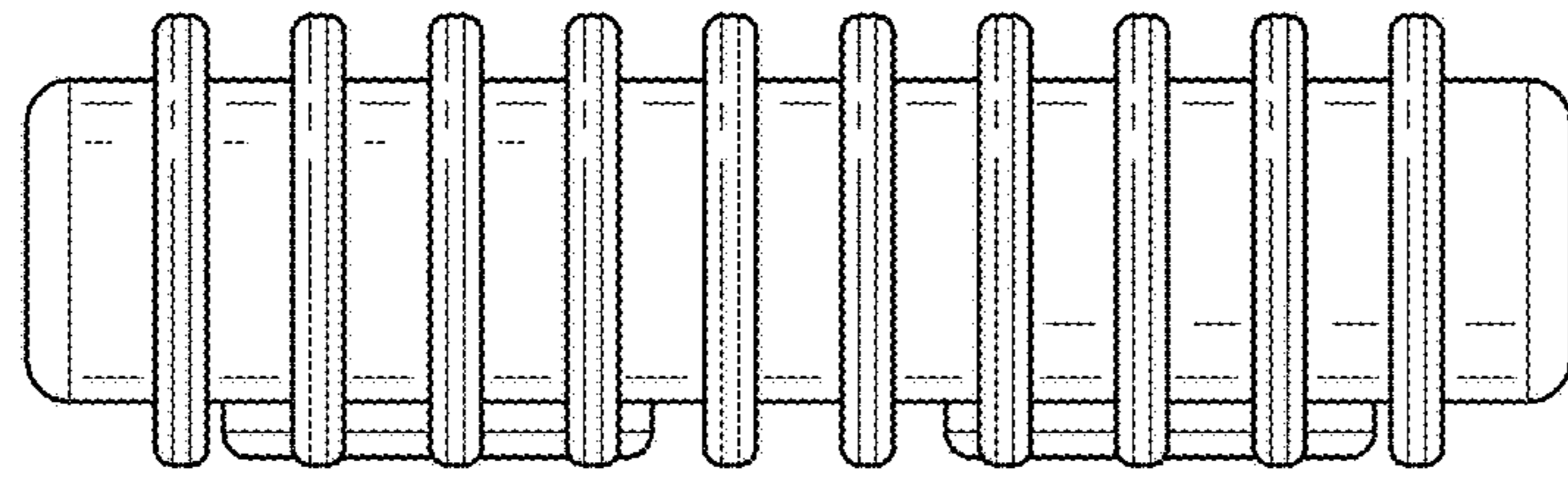


FIG. 6

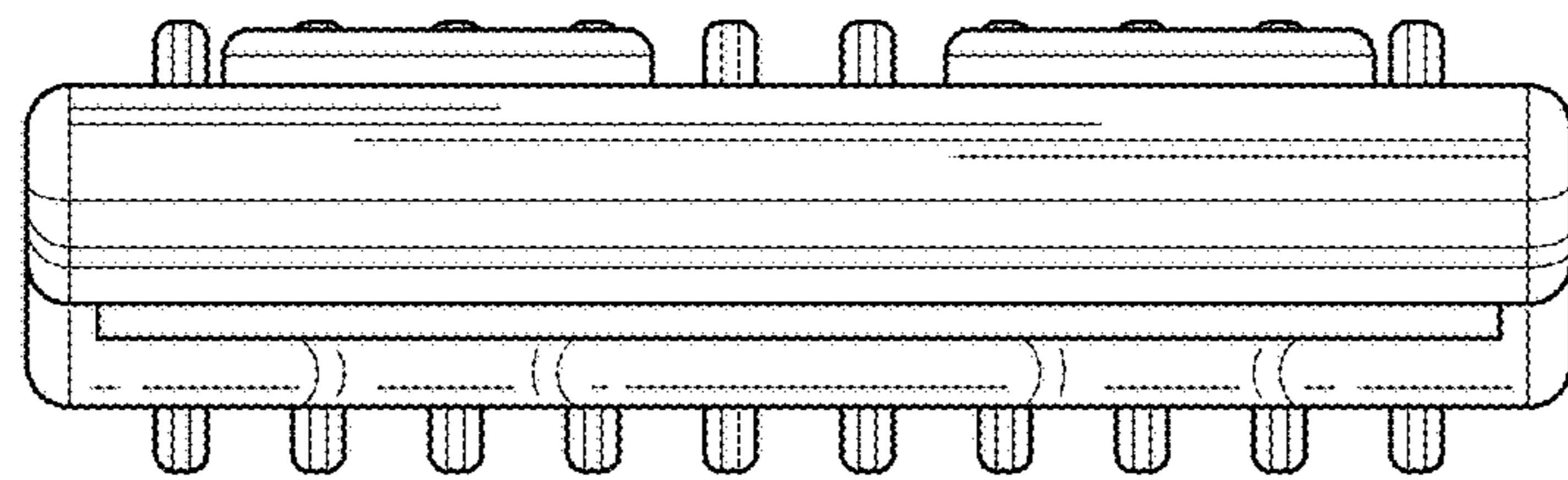


FIG. 7

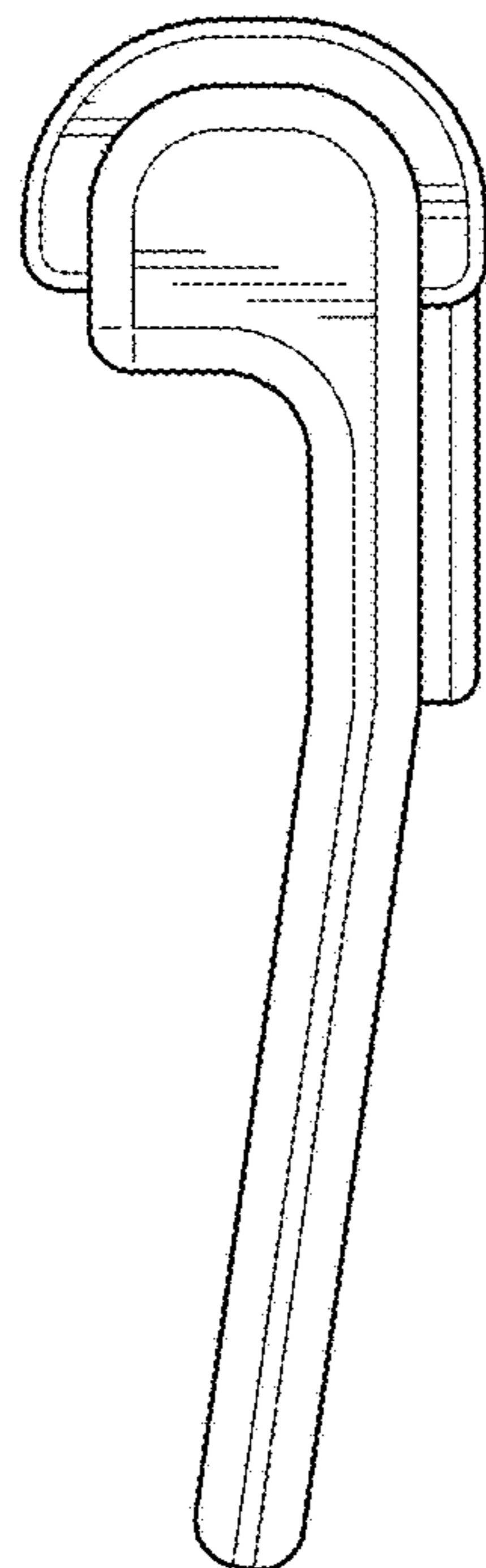


FIG. 8

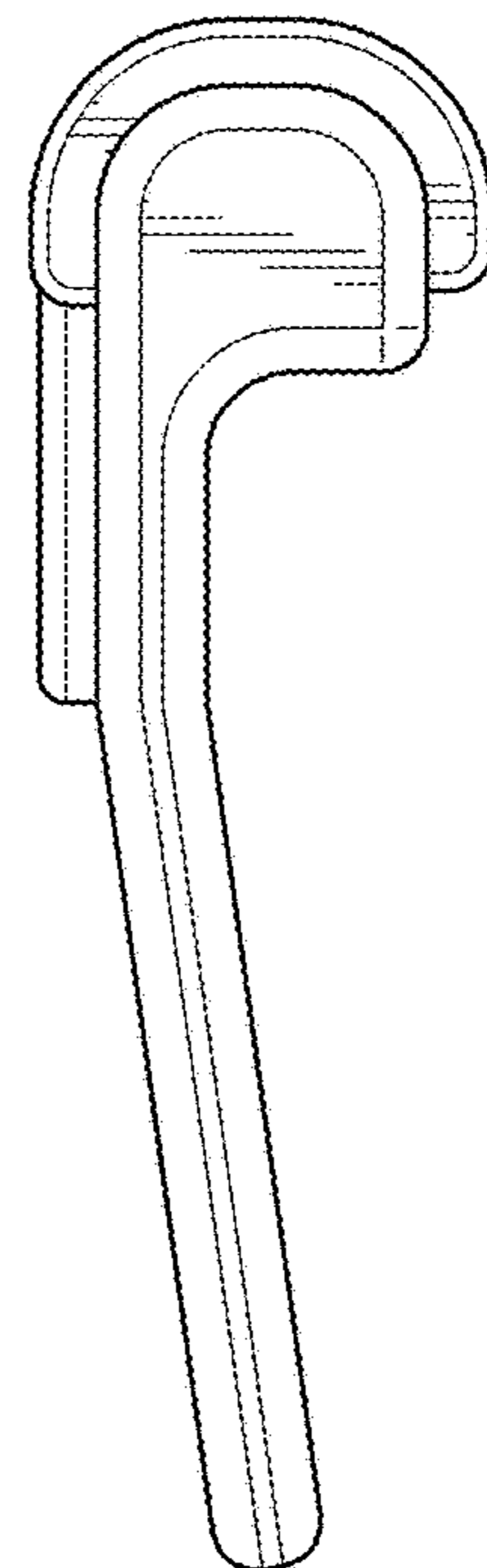


FIG. 9

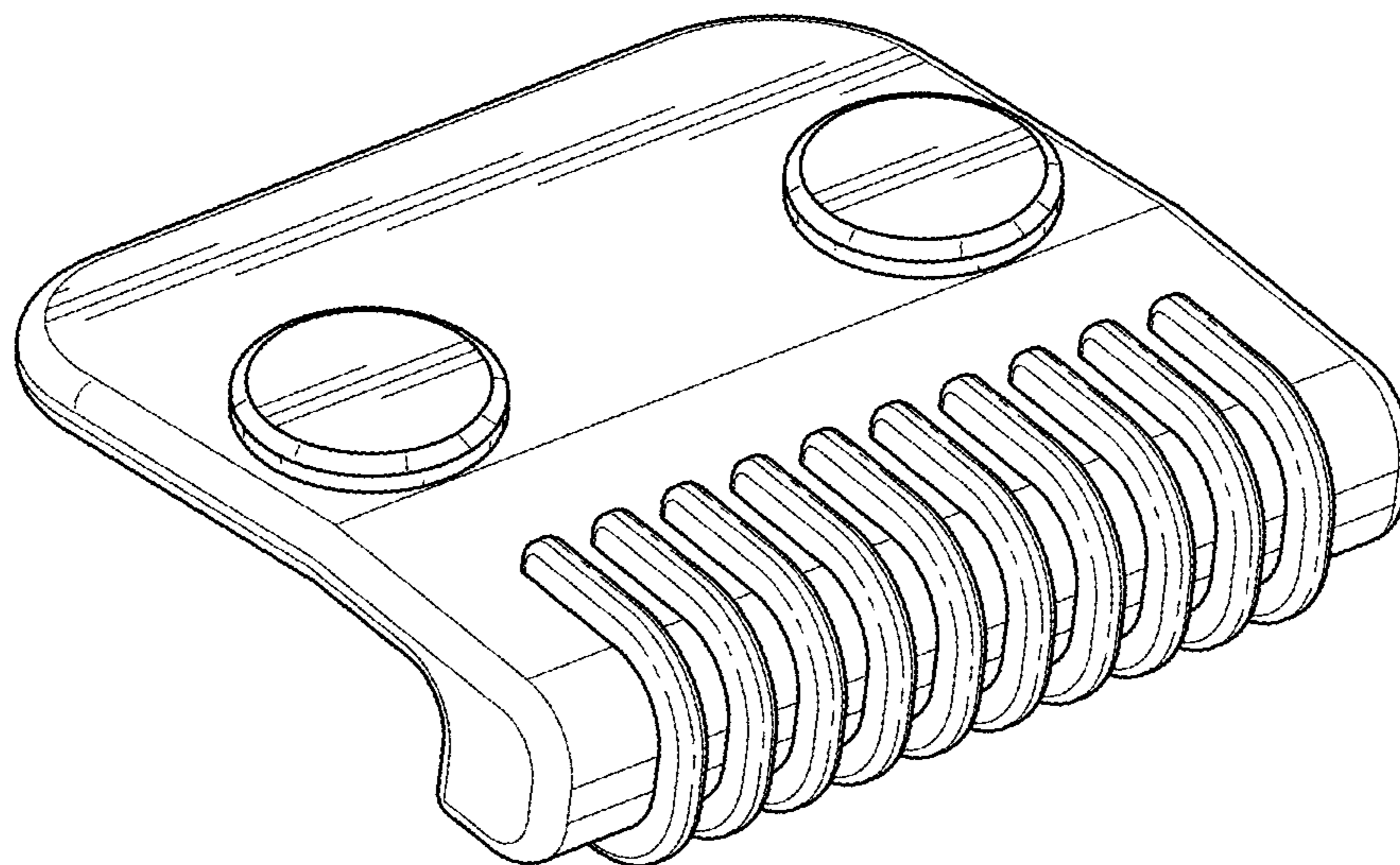


FIG. 10

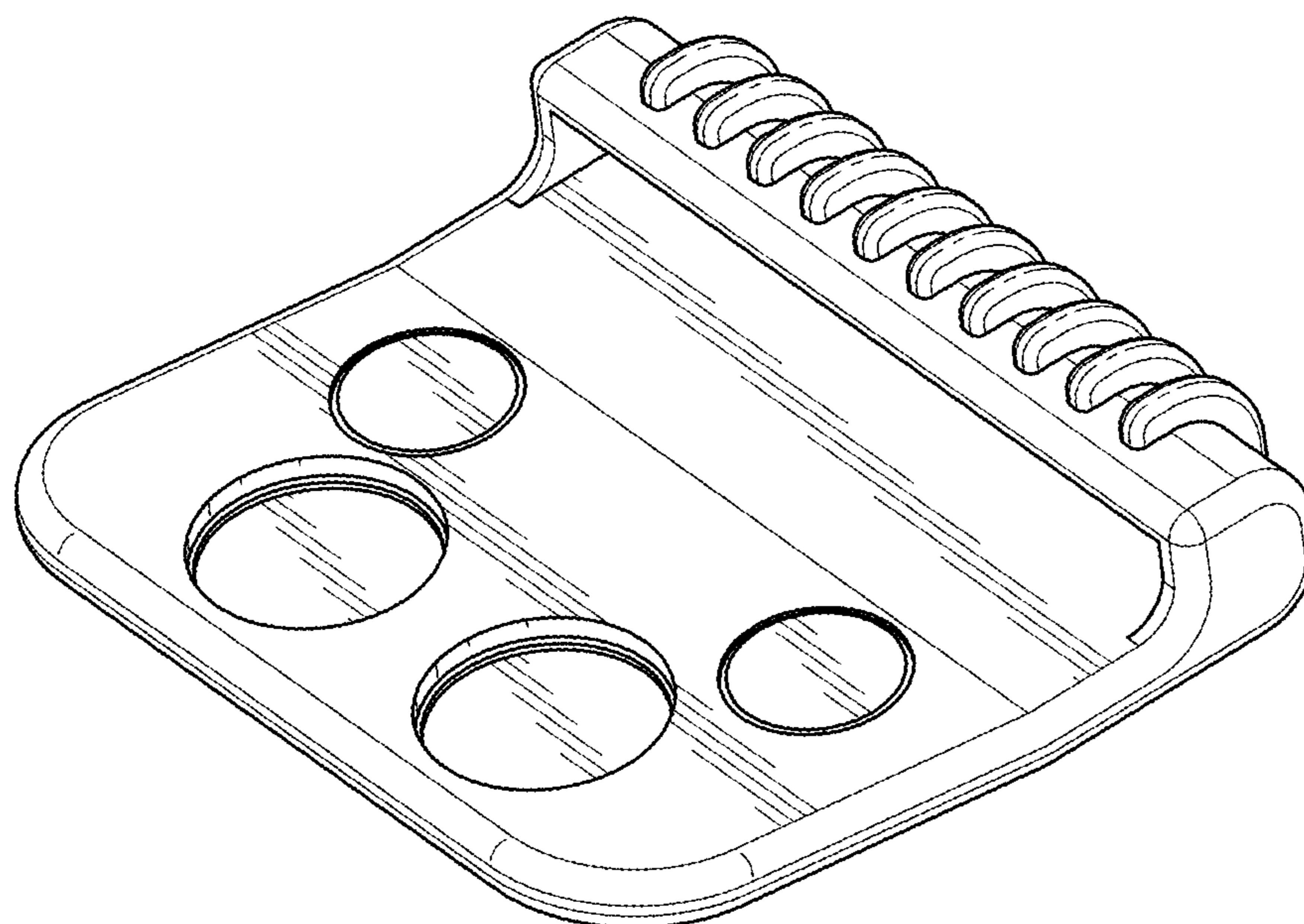


FIG. 11

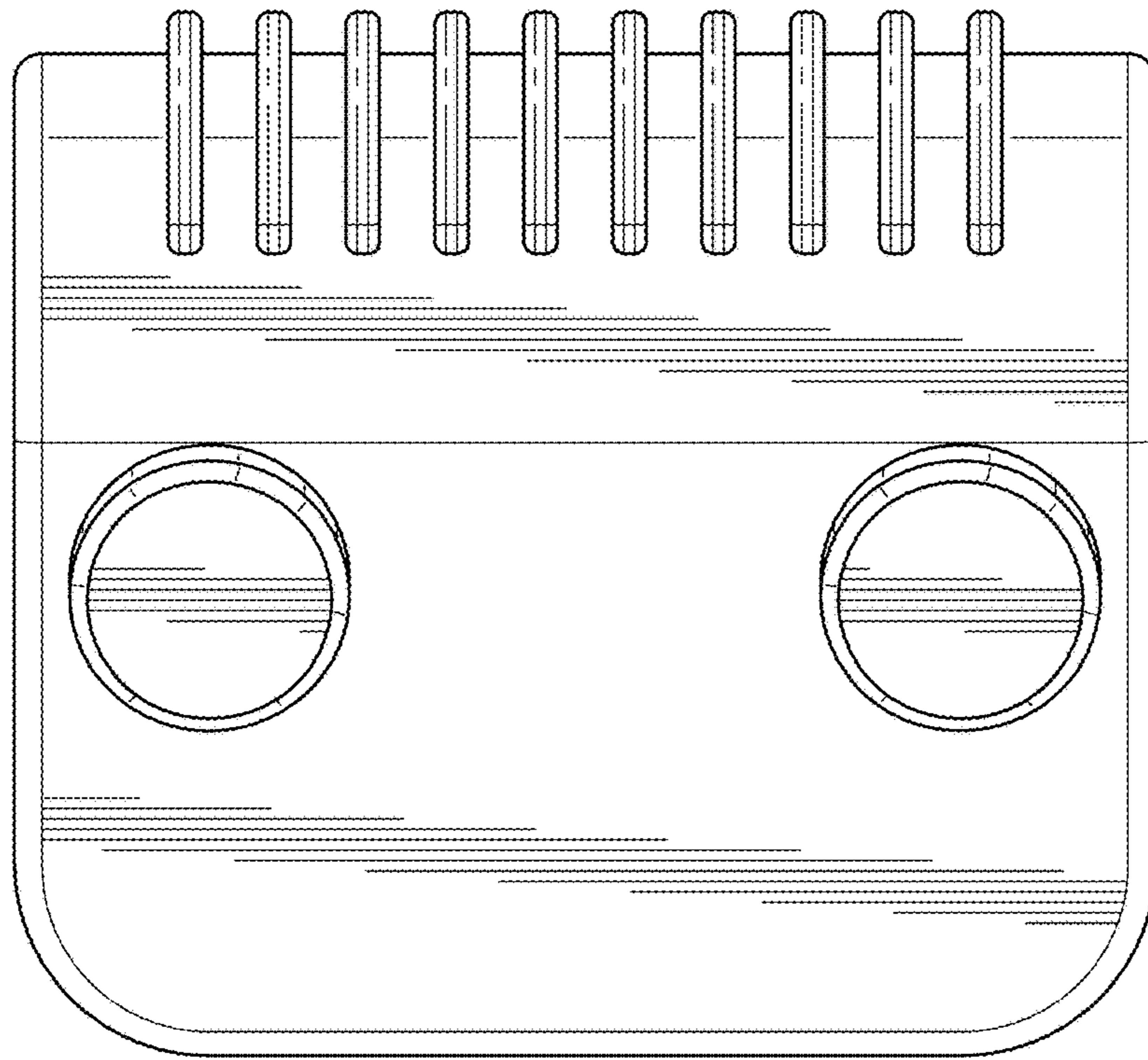


FIG. 12

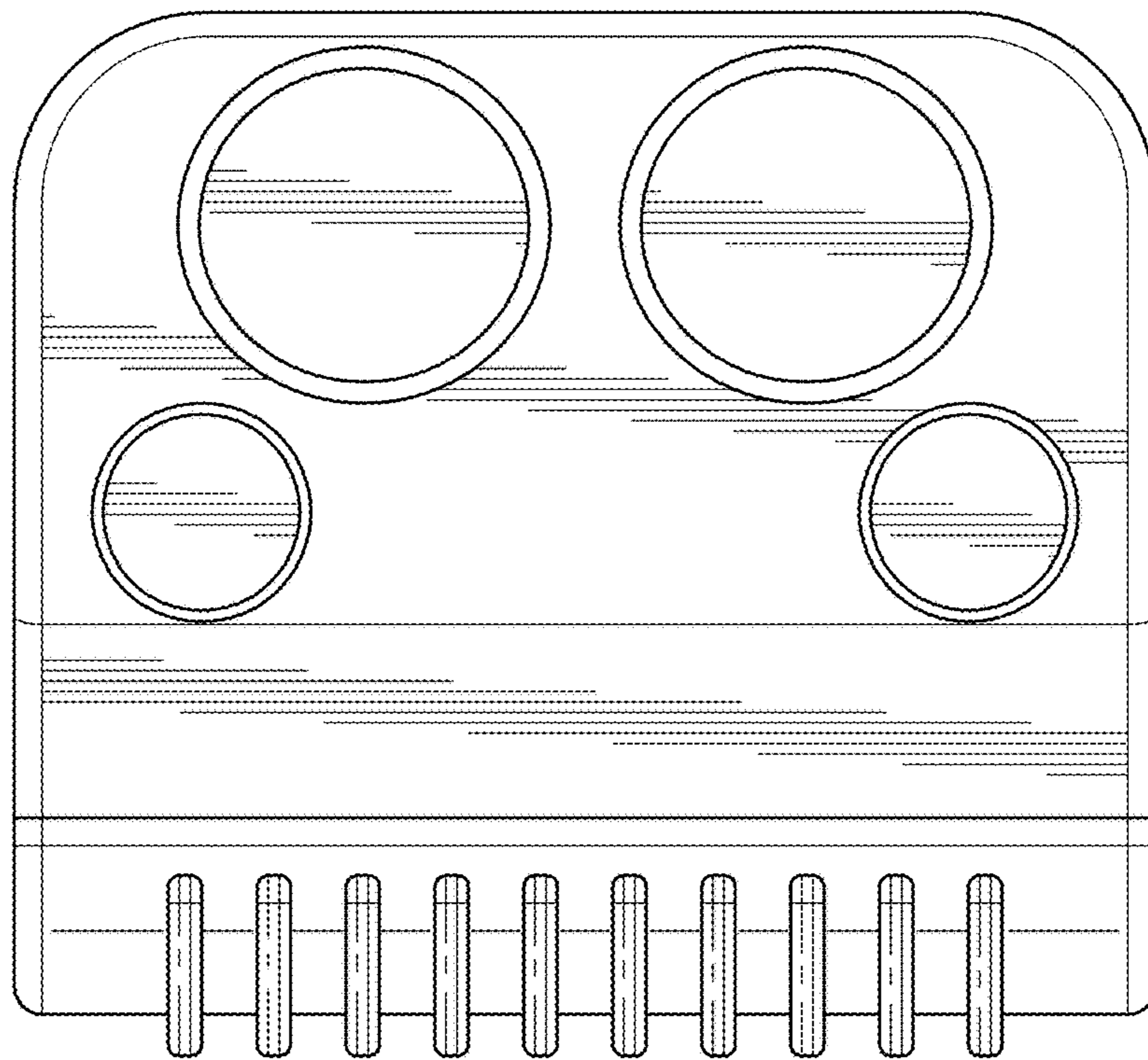


FIG. 13

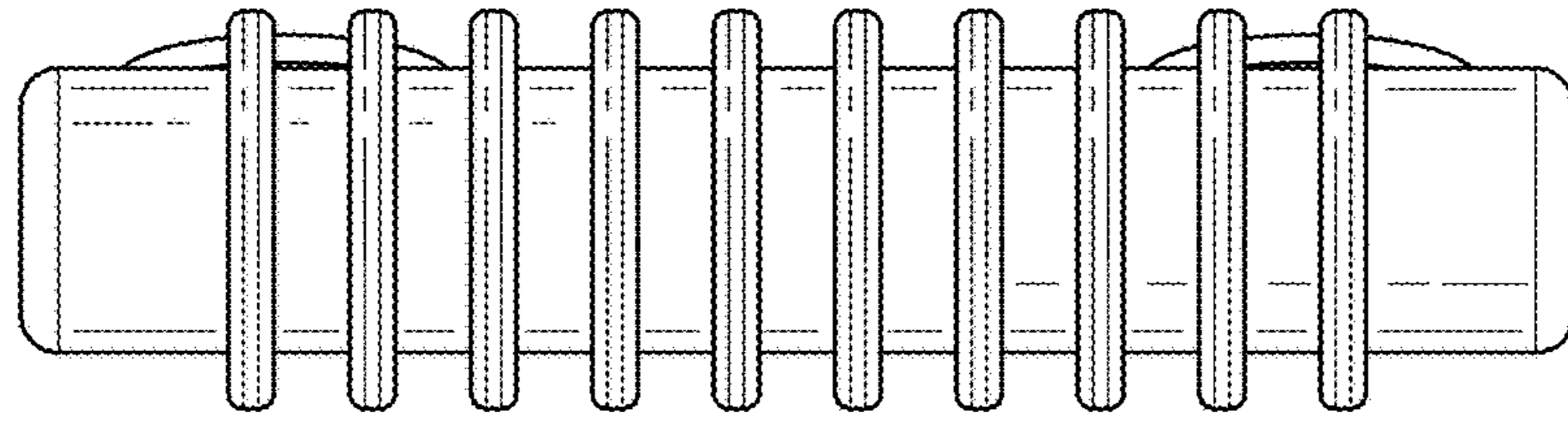


FIG. 14

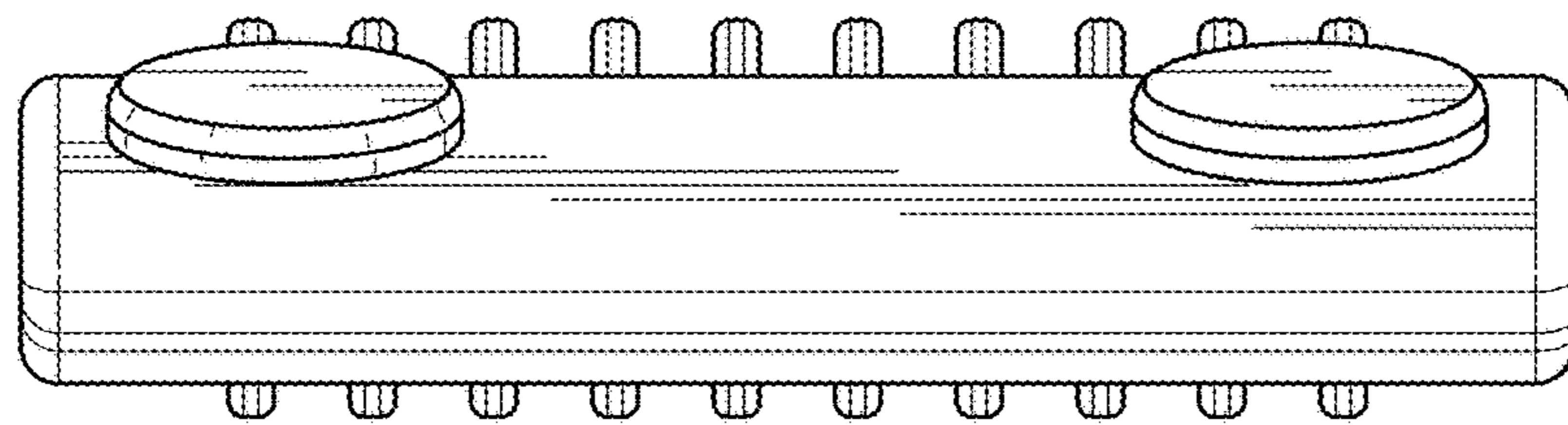


FIG. 15

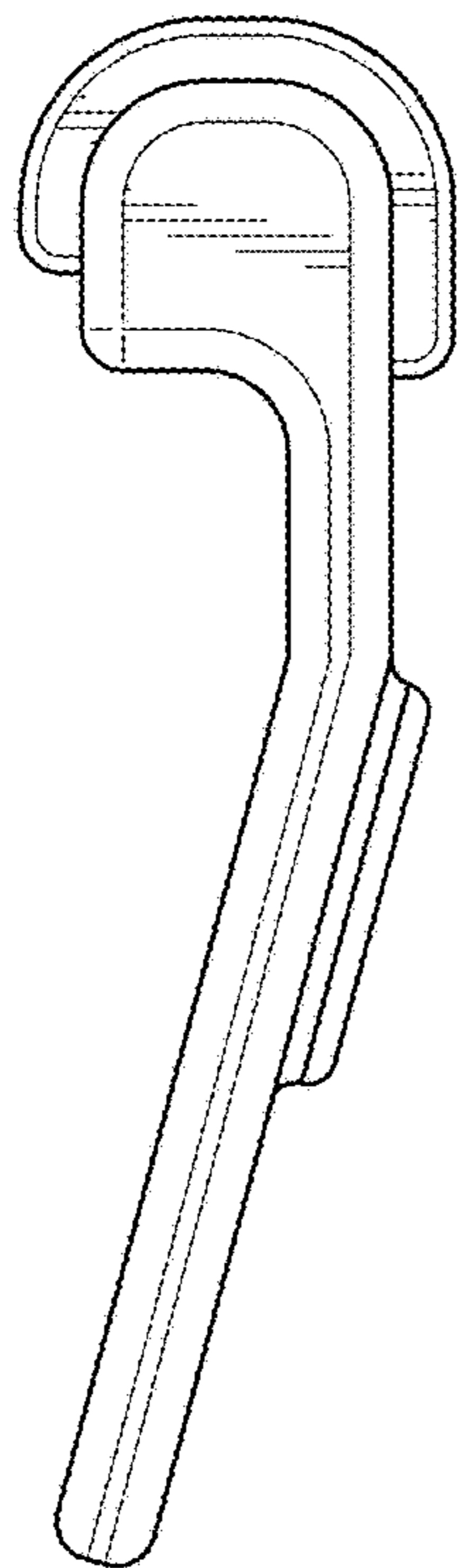


FIG. 16

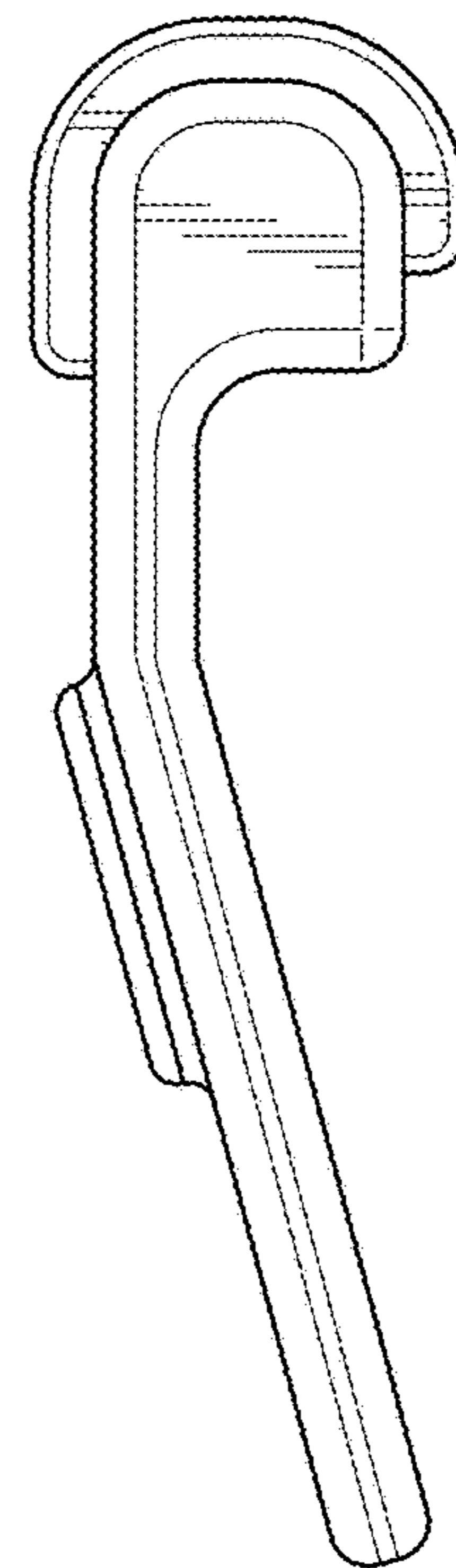


FIG. 17

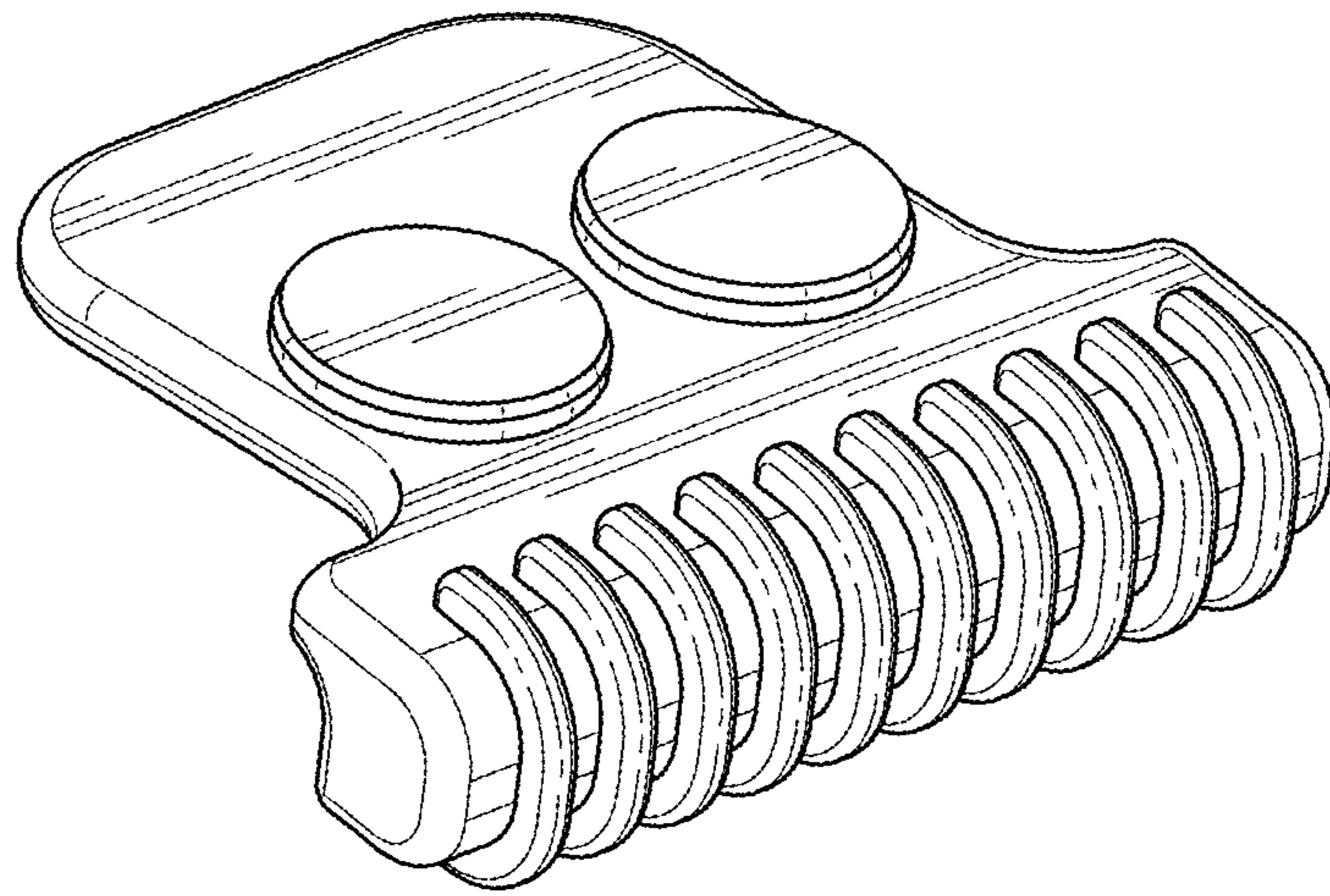


FIG. 18

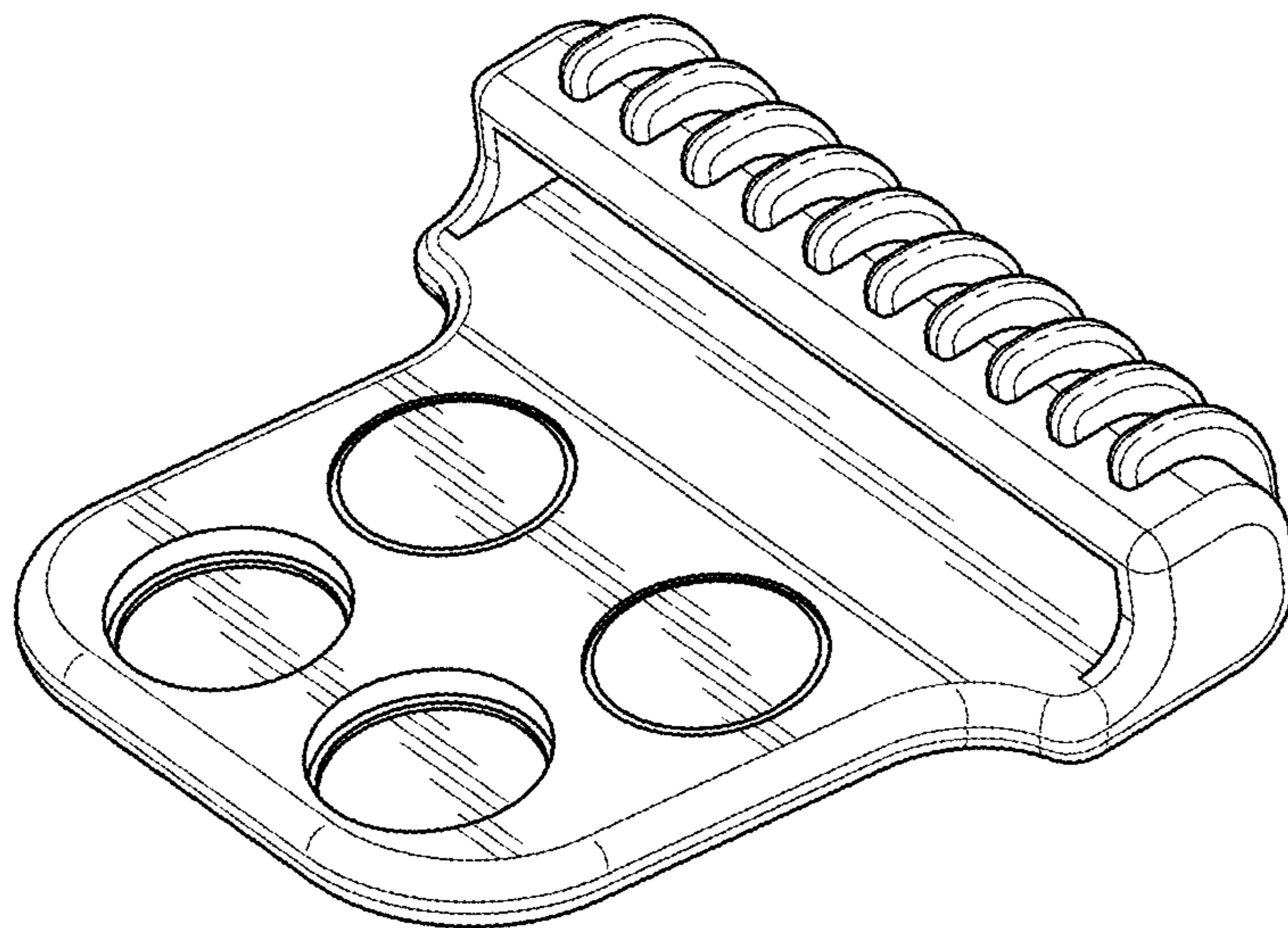


FIG. 19

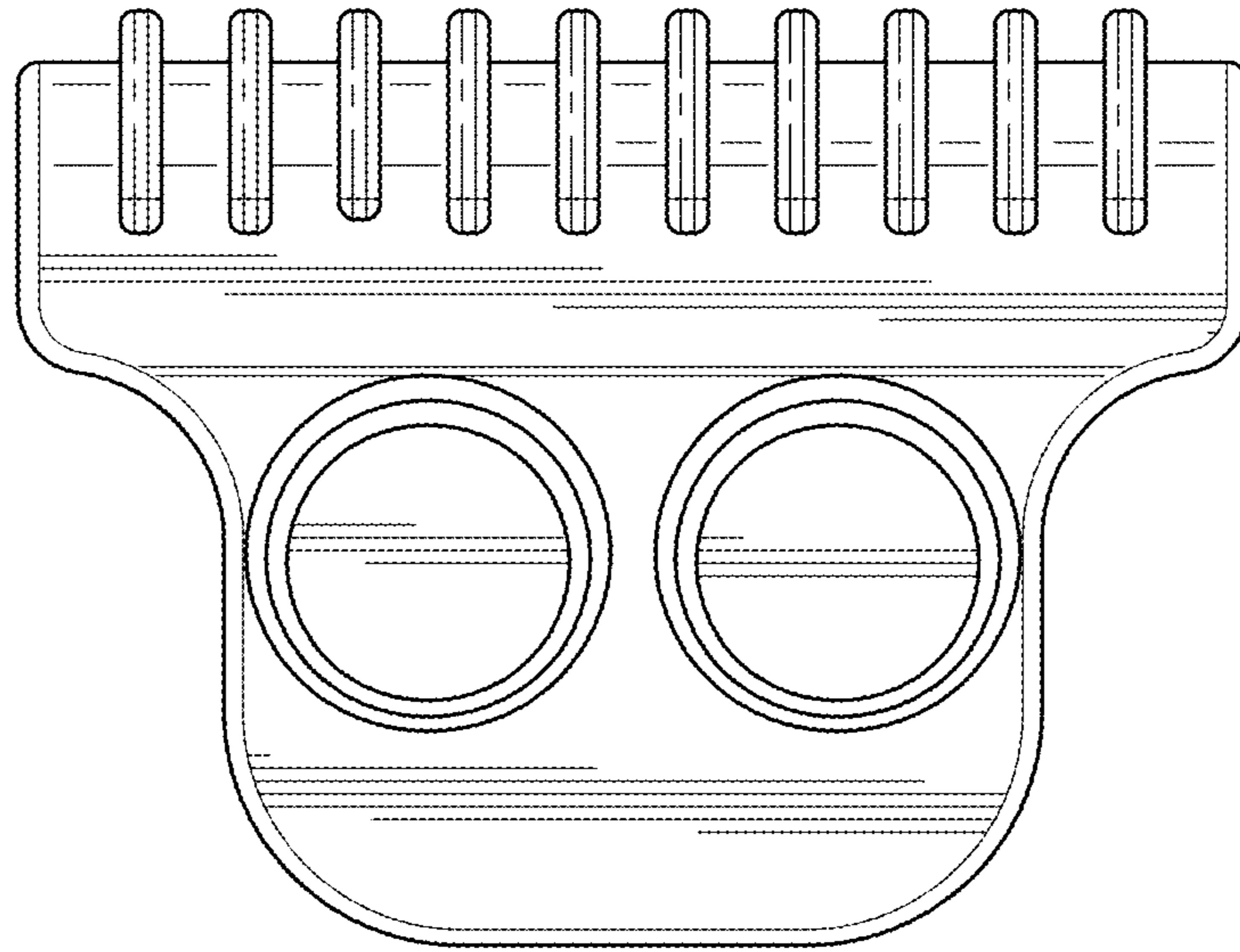


FIG. 20

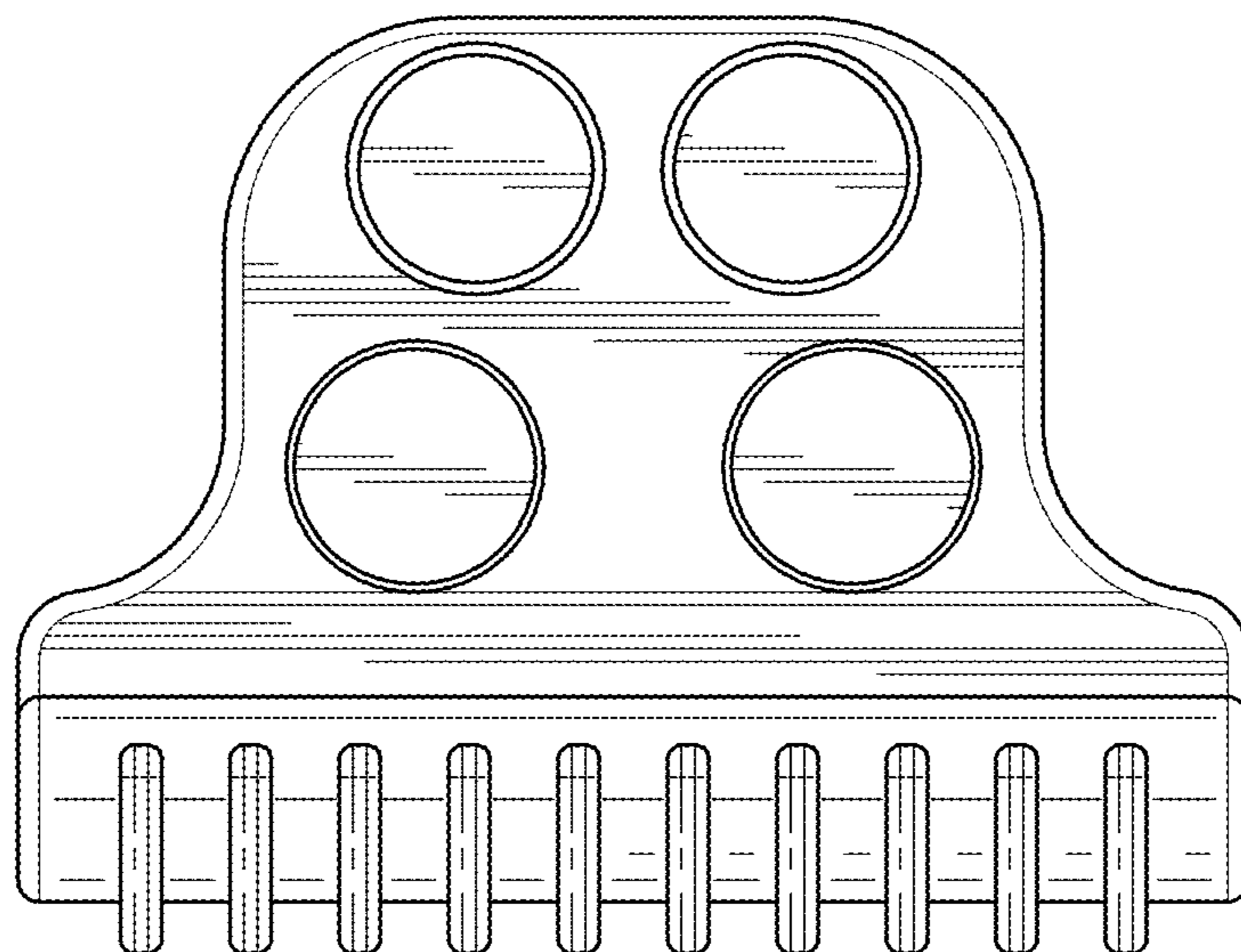


FIG. 21

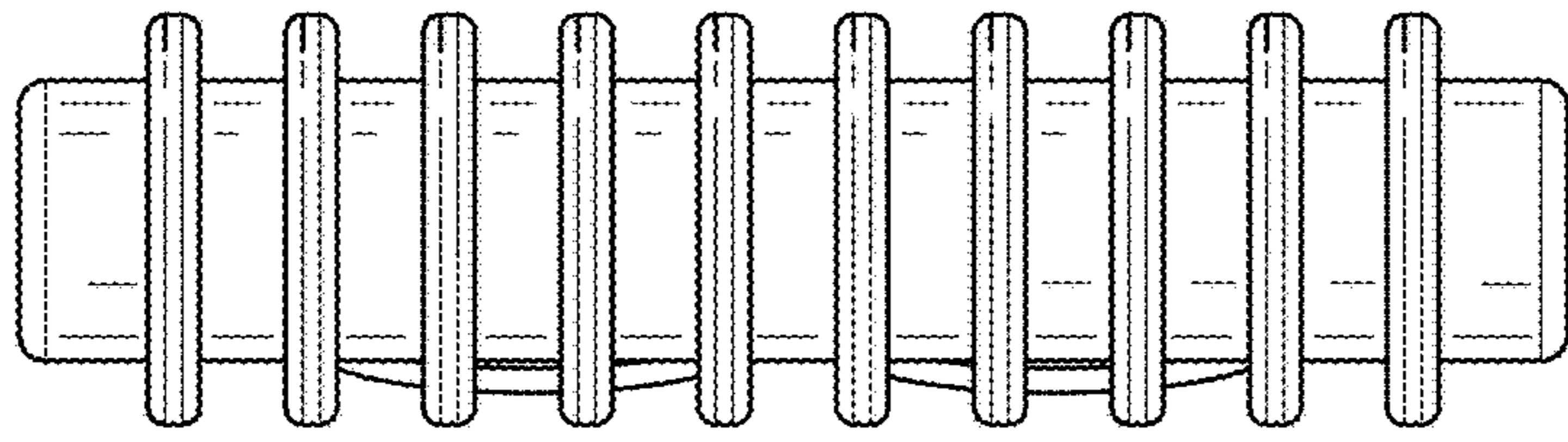


FIG. 22

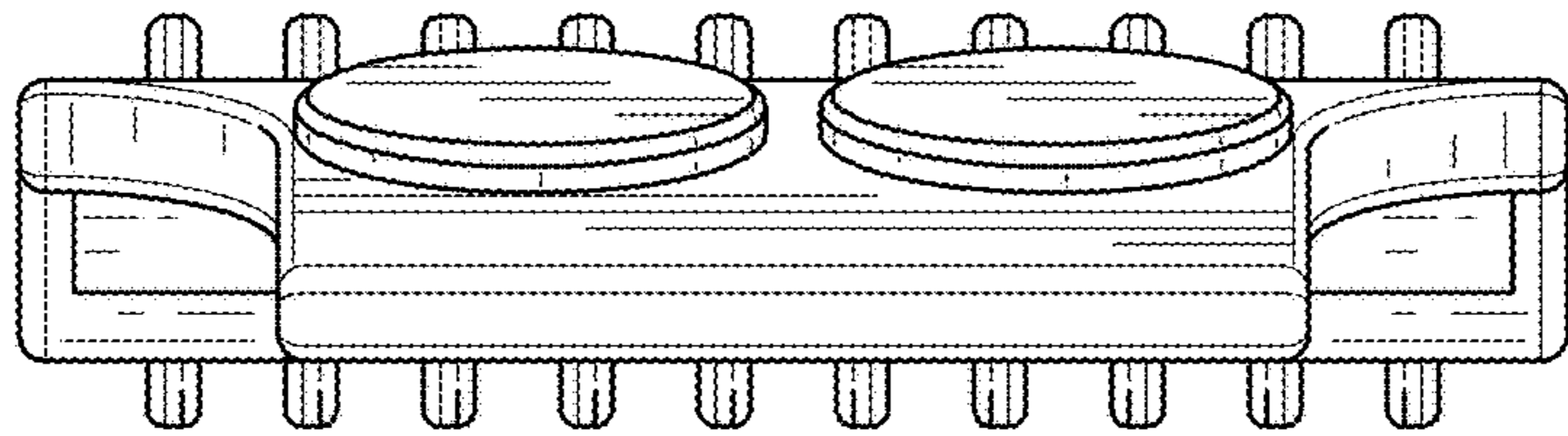


FIG. 23

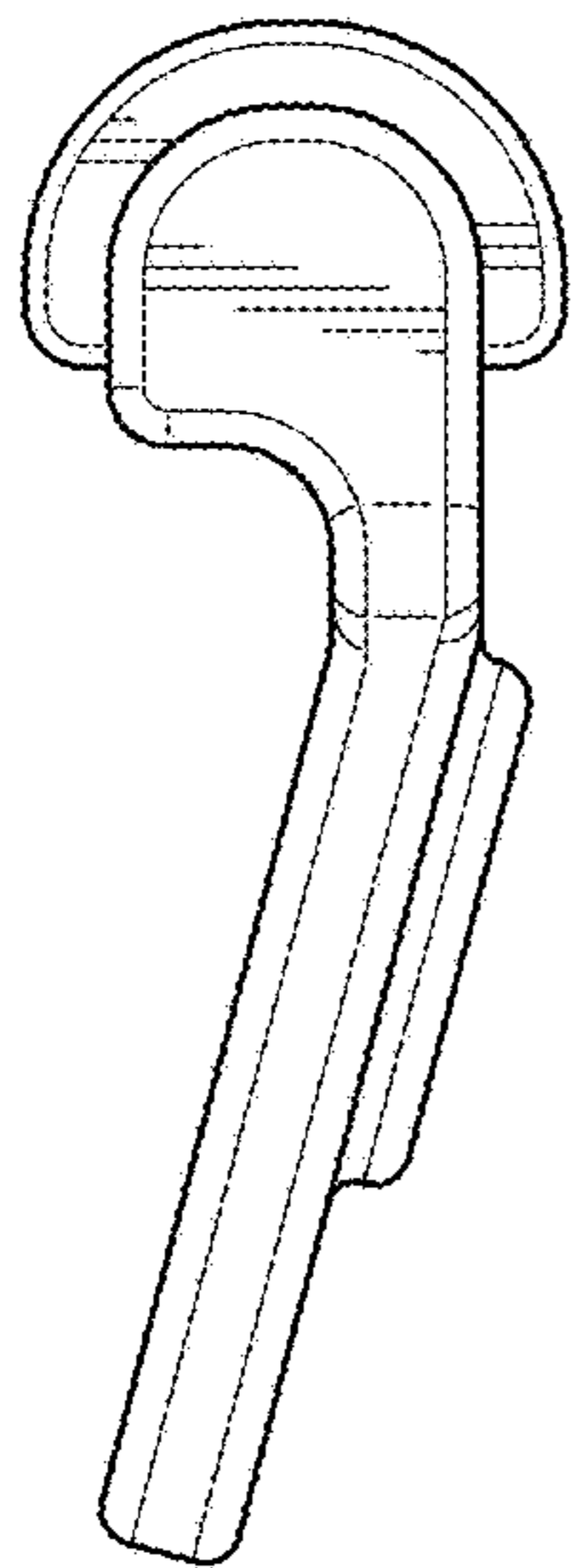


FIG. 24

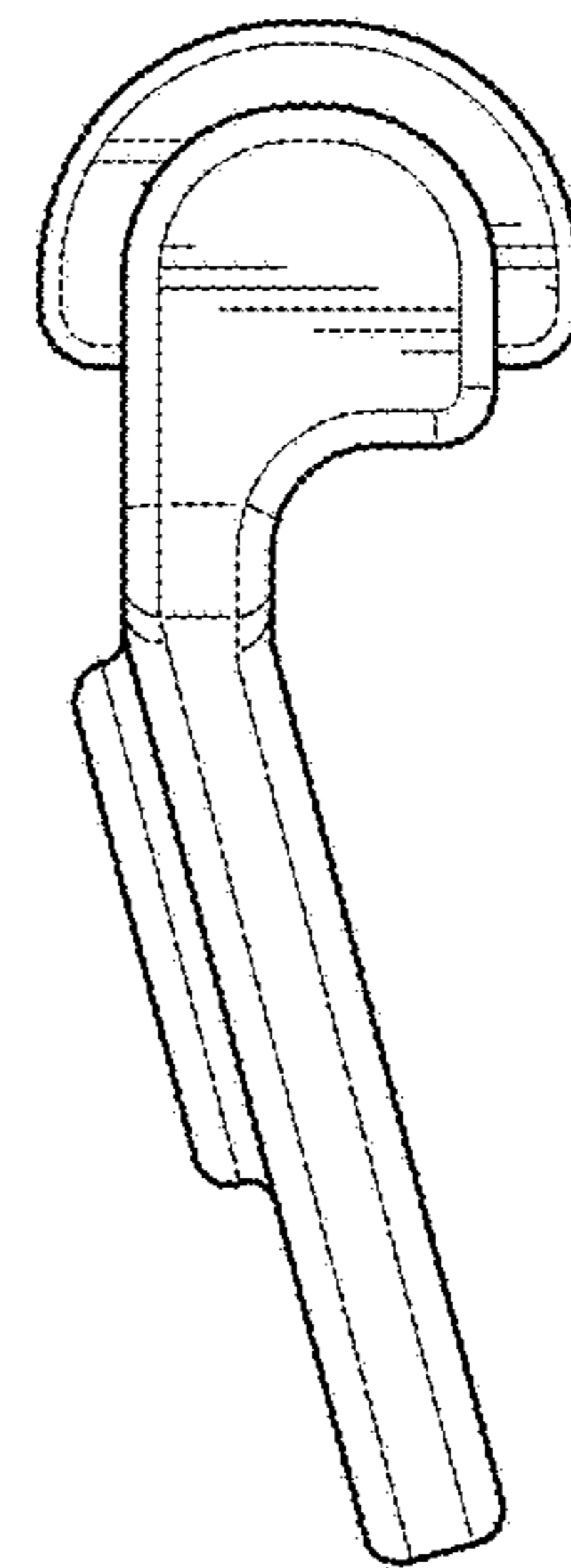


FIG. 25