



US00D825852S

(12) **United States Design Patent**  
**Dryfhout**

(10) **Patent No.:** **US D825,852 S**  
(45) **Date of Patent:** **\*\* Aug. 14, 2018**

(54) **BACK SHAVER CARTRIDGE**

(71) Applicant: **Dryfhout Enterprises, LLC**, Frankfort, IL (US)

(72) Inventor: **Matthew James Dryfhout**, Frankfort, IL (US)

(73) Assignee: **Dryfhout Enterprises, LLC**, Frankfort, IL (US)

(\*\*) Term: **15 Years**

(21) Appl. No.: **29/584,243**

(22) Filed: **Nov. 13, 2016**

(51) **LOC (11) Cl.** ..... **28-03**

(52) **U.S. Cl.**  
USPC ..... **D28/47**

(58) **Field of Classification Search**  
USPC ..... D28/44, 45-48

(Continued)

(56) **References Cited**

U.S. PATENT DOCUMENTS

D550,400 S \* 9/2007 Orloff ..... D28/47  
D563,044 S \* 2/2008 Ramm ..... D28/47

(Continued)

*Primary Examiner* — Jennifer Rivard

(74) *Attorney, Agent, or Firm* — Patents and Licensing LLC; Daniel W Juffernbruch

(57) **CLAIM**

The ornamental design for a back shaver cartridge, as shown and described.

**DESCRIPTION**

FIG. 1 is a front perspective view of a first embodiment of an ornamental design for a back shaver cartridge;

FIG. 2 is a rear perspective view of the first embodiment thereof;

FIG. 3 is a front view of the first embodiment thereof;

FIG. 4 is a rear view of the first embodiment thereof;

FIG. 5 is a first side view of the first embodiment thereof;

FIG. 6 is a second side view of the first embodiment thereof;

FIG. 7 is a top view of the first embodiment thereof; and

FIG. 8 is a bottom view of the first embodiment thereof.

FIG. 9 is a front perspective view of a second embodiment of an ornamental design for a back shaver cartridge;

FIG. 10 is a rear perspective view of the second embodiment thereof;

FIG. 11 is a front view of the second embodiment thereof;

FIG. 12 is a rear view of the second embodiment thereof;

FIG. 13 is a first side view of the second embodiment thereof;

FIG. 14 is a second side view of the second embodiment thereof;

FIG. 15 is a top view of the second embodiment thereof;

FIG. 16 is a bottom view of the second embodiment thereof; and

FIG. 17 is an exploded front perspective view of the second embodiment thereof.

FIG. 18 is a front perspective view of a third embodiment of an ornamental design for a back shaver cartridge;

FIG. 19 is a rear perspective view of the third embodiment thereof;

FIG. 20 is a front view of the third embodiment thereof;

FIG. 21 is a rear view of the third embodiment thereof;

FIG. 22 is a first side view of the third embodiment thereof;

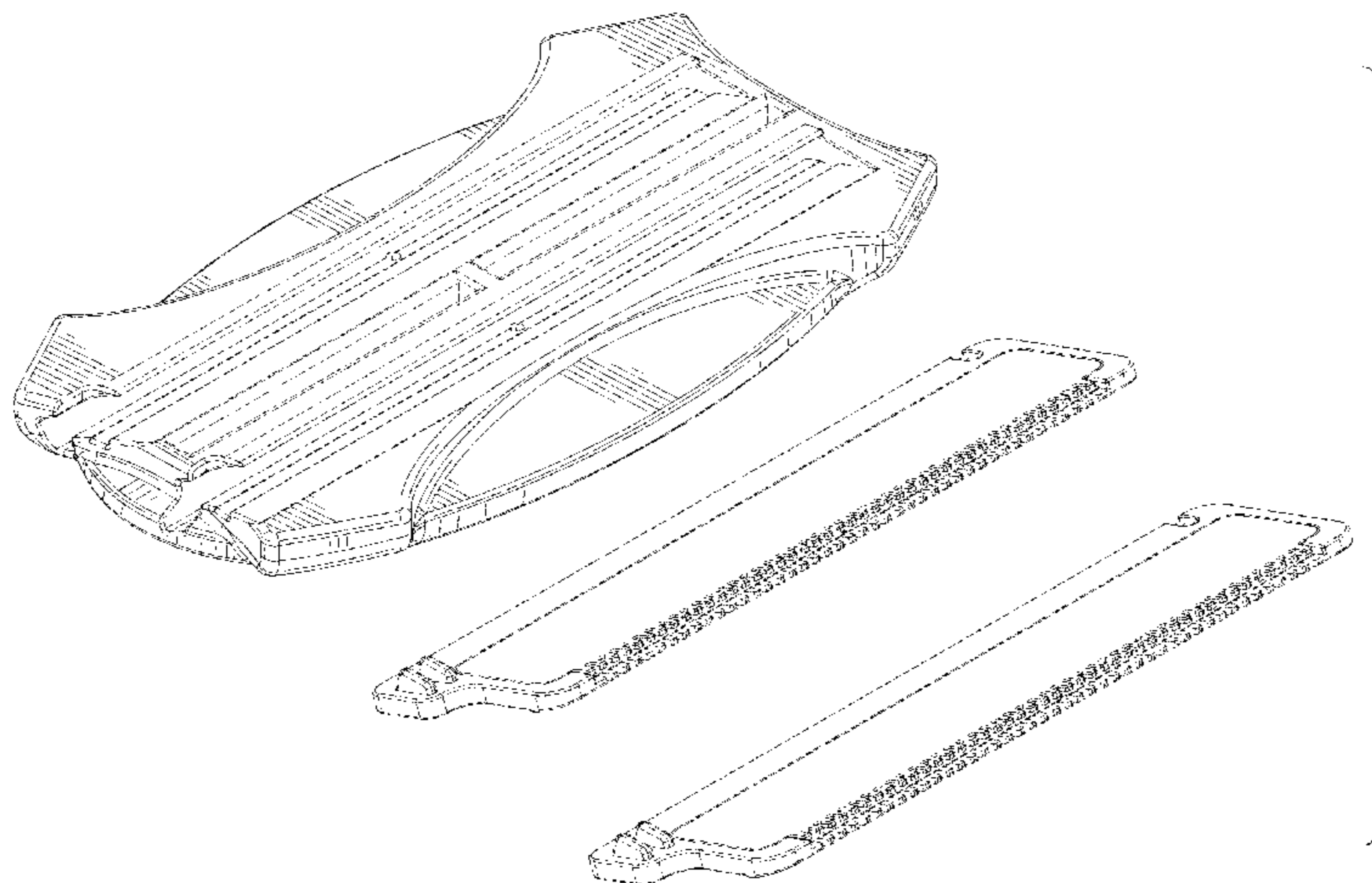
FIG. 23 is a second side view of the third embodiment thereof;

FIG. 24 is a top view of the third embodiment thereof; and,

FIG. 25 is a bottom view of the third embodiment thereof.

The broken lines shown in the figures, that are immediately adjacent to the shaded areas, and define unshaded regions, represent the bounds of the claimed design of the first and second and third embodiments, while all other broken lines are directed to environment and are for illustrative purposes only and form no part of the claimed design of the first and second and third embodiments.

**1 Claim, 19 Drawing Sheets**



(58) **Field of Classification Search**

CPC ..... B26B 21/54–21/60; B26B 21/00–21/06;  
B26B 21/08–21/125; B26B 21/14–21/20;  
B26B 21/22–21/24; B26B 21/28; B26B  
21/30–21/32; B26B 21/34–21/38; B26B  
21/40–21/4031; B26B 21/4043; B26B  
21/4062; B26B 21/4068–21/4075; B26B  
21/44–21/443; B26B 21/52–21/528

See application file for complete search history.

(56) **References Cited**

U.S. PATENT DOCUMENTS

D616,147 S *	5/2010	Adams	.....	D28/46
D630,378 S *	1/2011	Jung	.....	D28/47
D631,198 S *	1/2011	Adams	.....	D28/47
D638,580 S *	5/2011	Adams	.....	D28/46
D640,415 S *	6/2011	Wonderley	.....	D28/47
D653,395 S *	1/2012	Adams	.....	D28/47
D674,546 S *	1/2013	Barrow	.....	D28/46
D698,999 S *	2/2014	Otsuka	.....	D28/47
D772,484 S *	11/2016	Otsuka	.....	D28/47
2007/0180700 A9 *	8/2007	Sandor	.....	A61K 8/361 30/41
2012/0151772 A1 *	6/2012	Moon	.....	B26B 21/225 30/41

\* cited by examiner

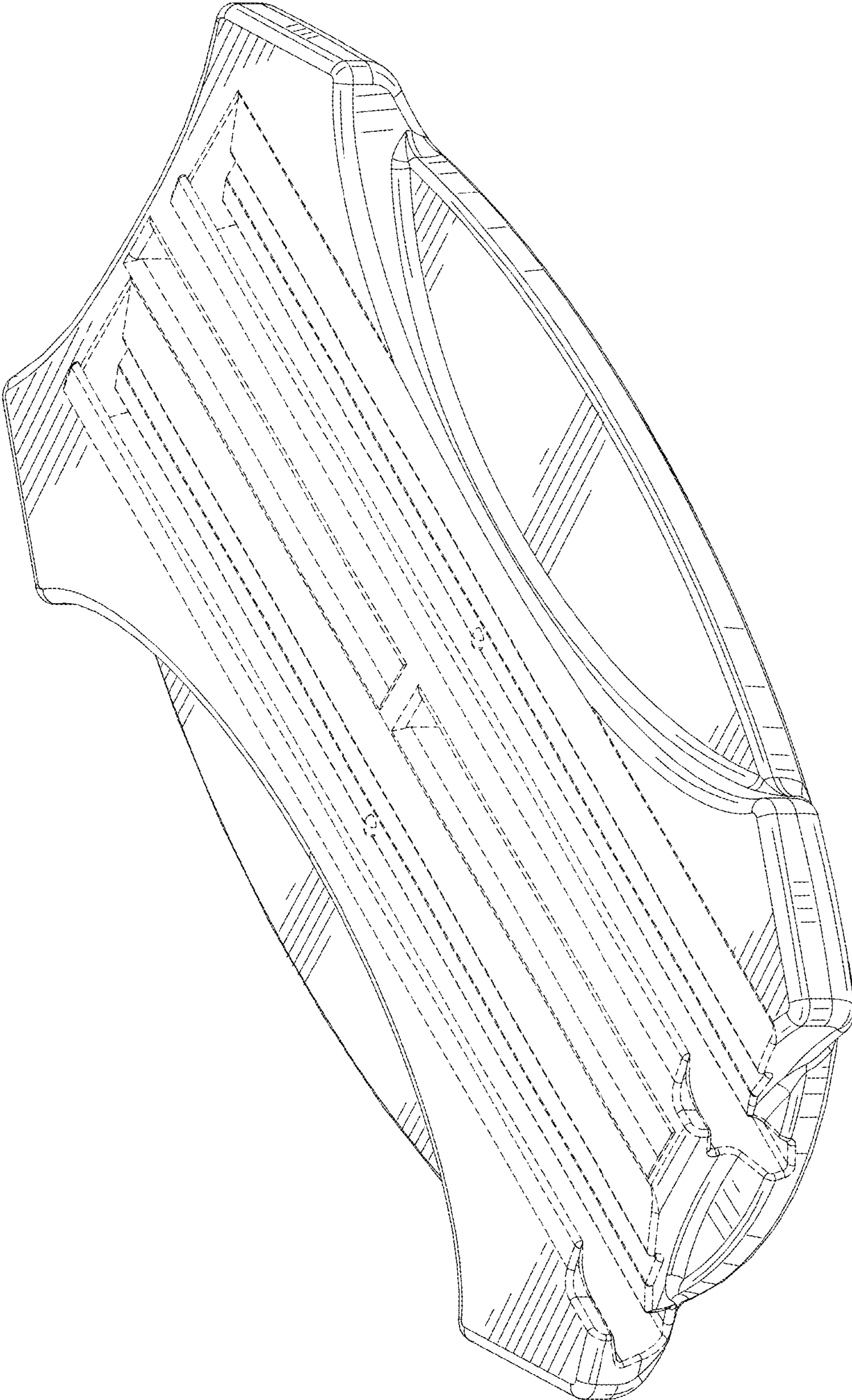


FIG. 1

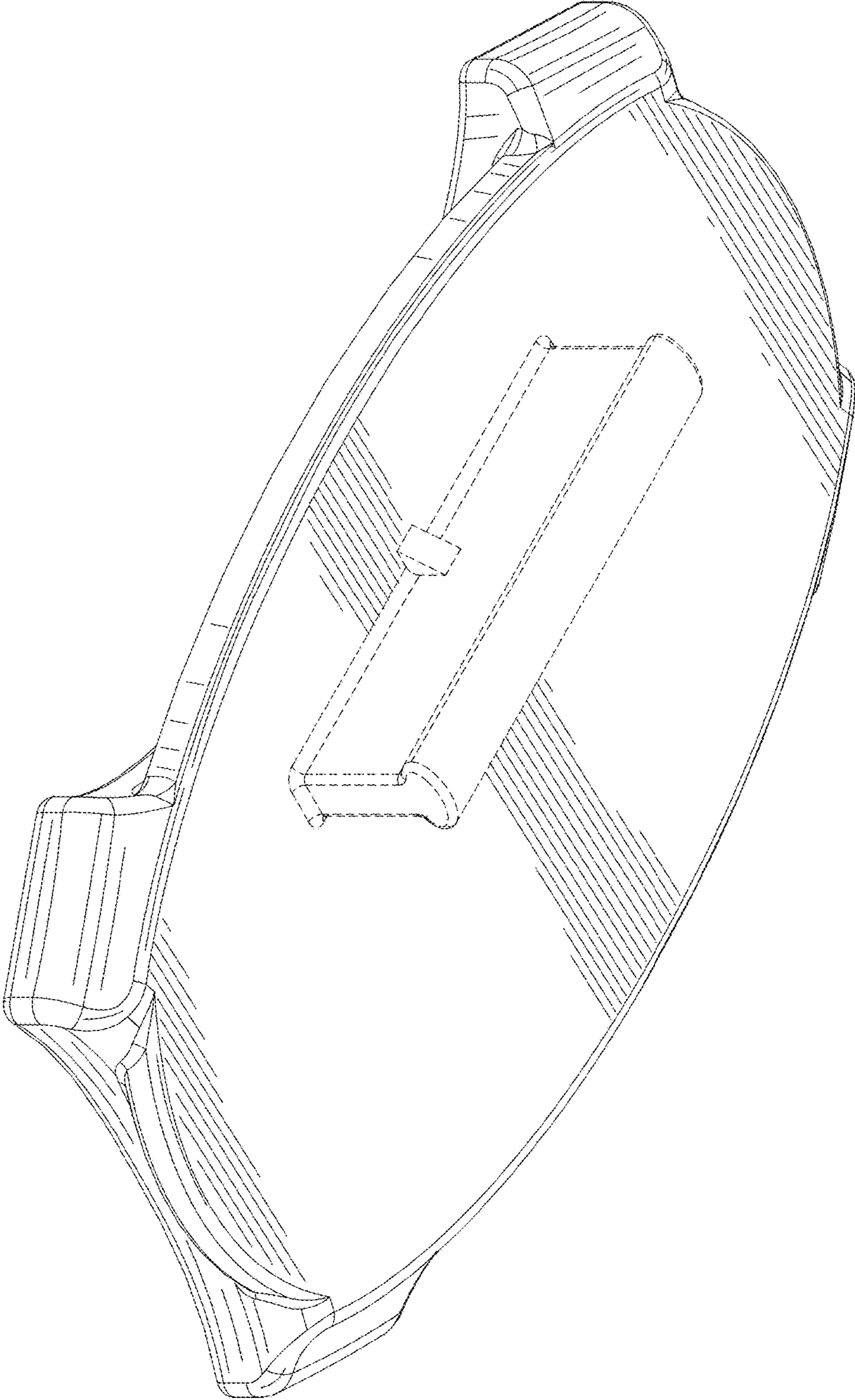


FIG. 2

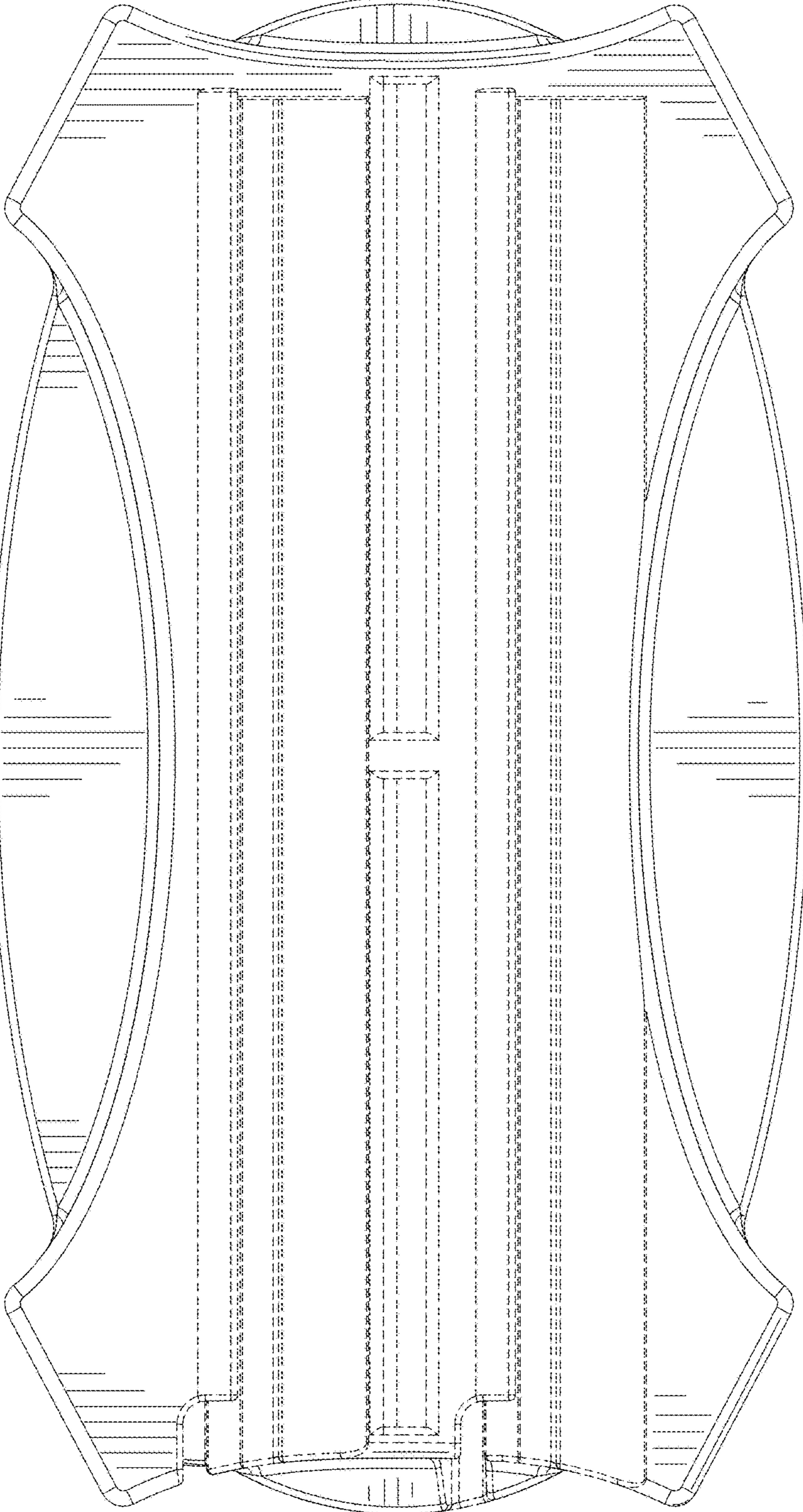


FIG. 3

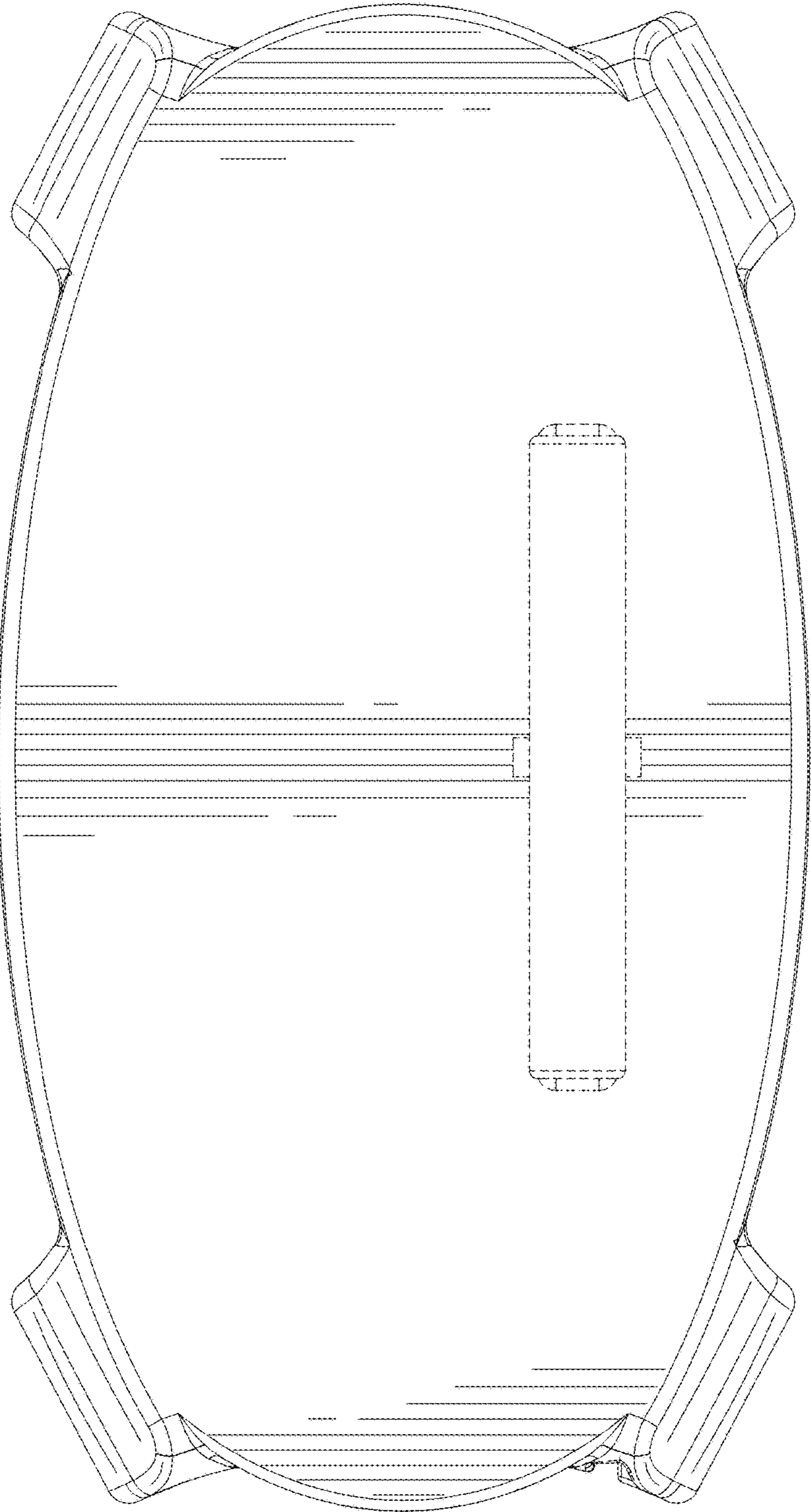


FIG. 4

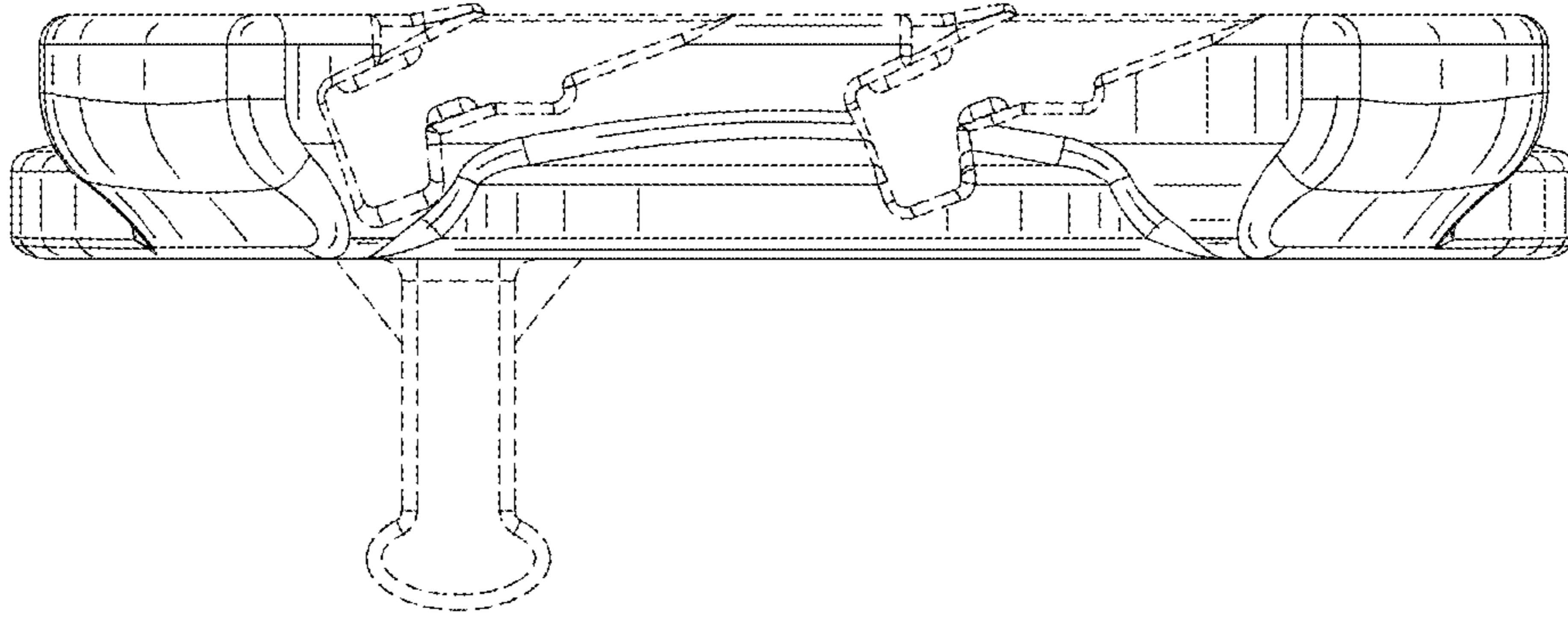


FIG. 5

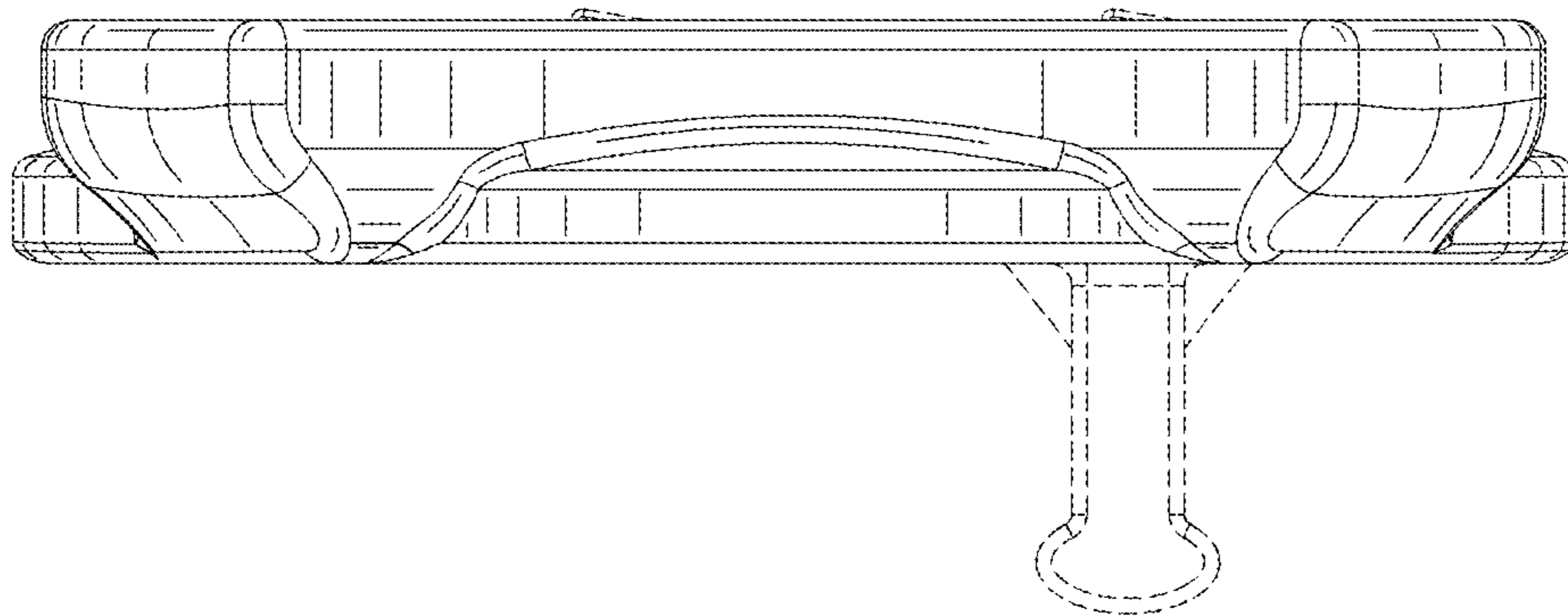


FIG. 6

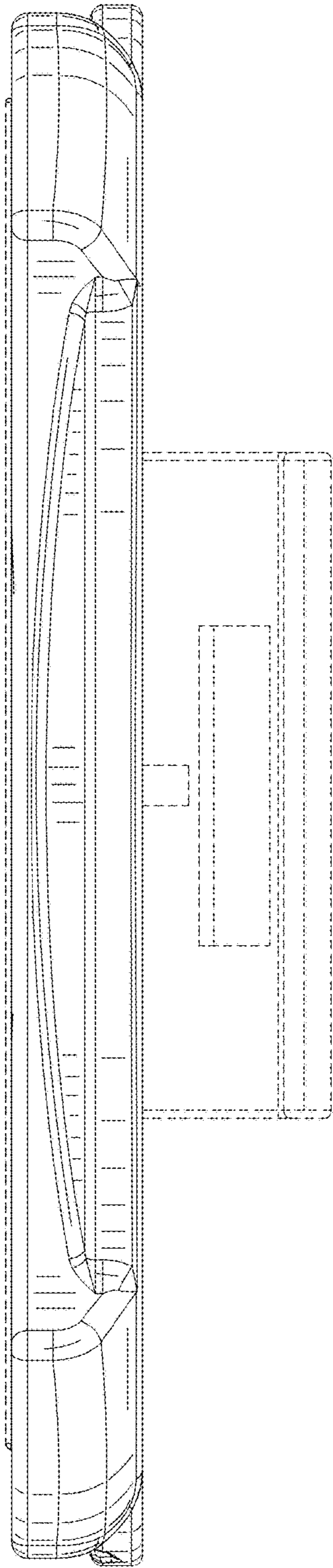


FIG. 7

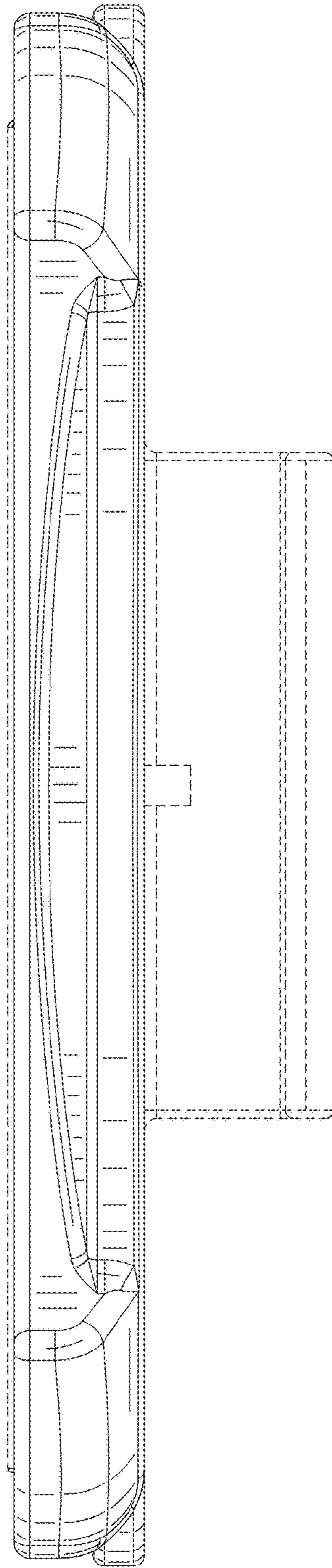


FIG. 8



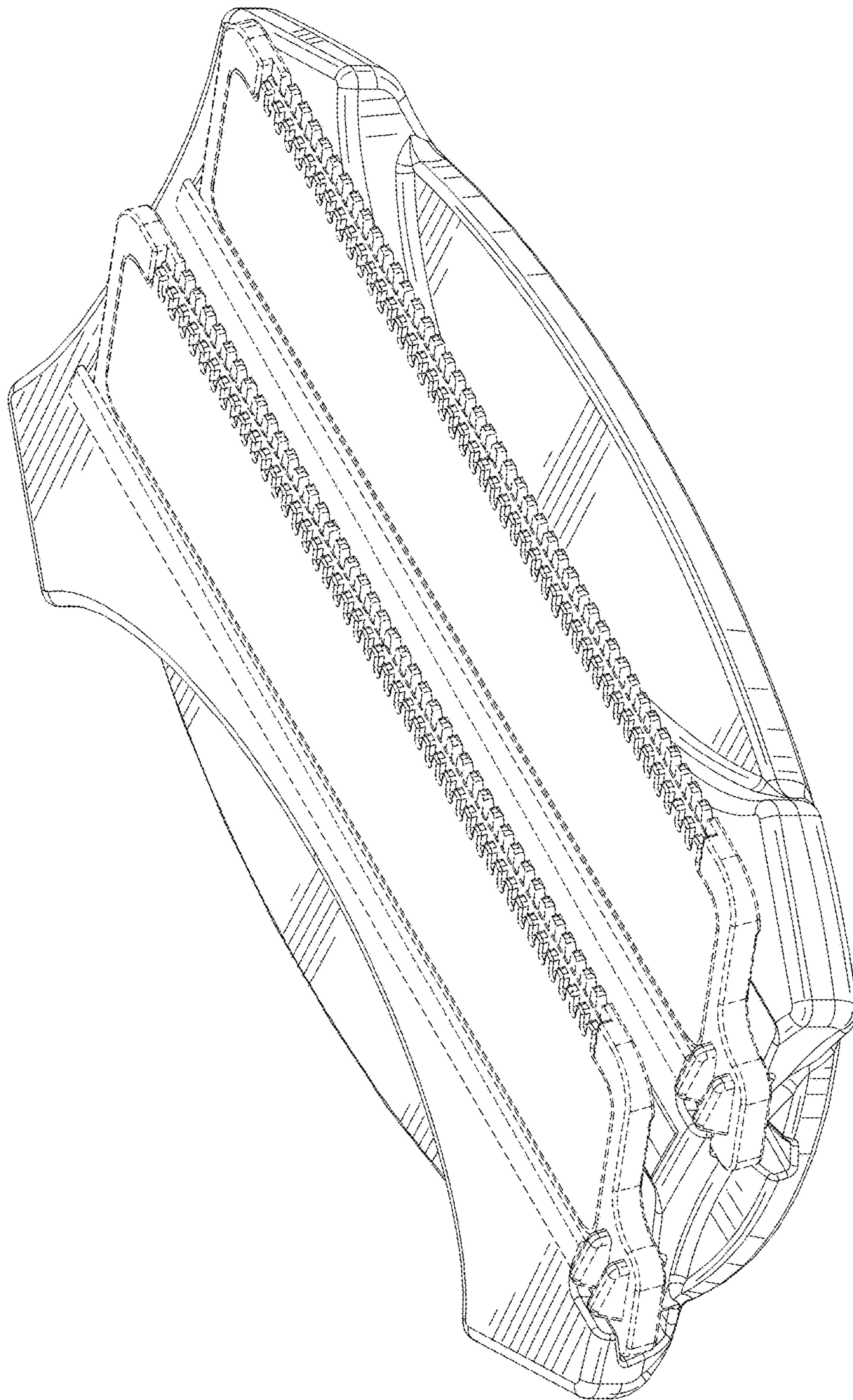


FIG. 9

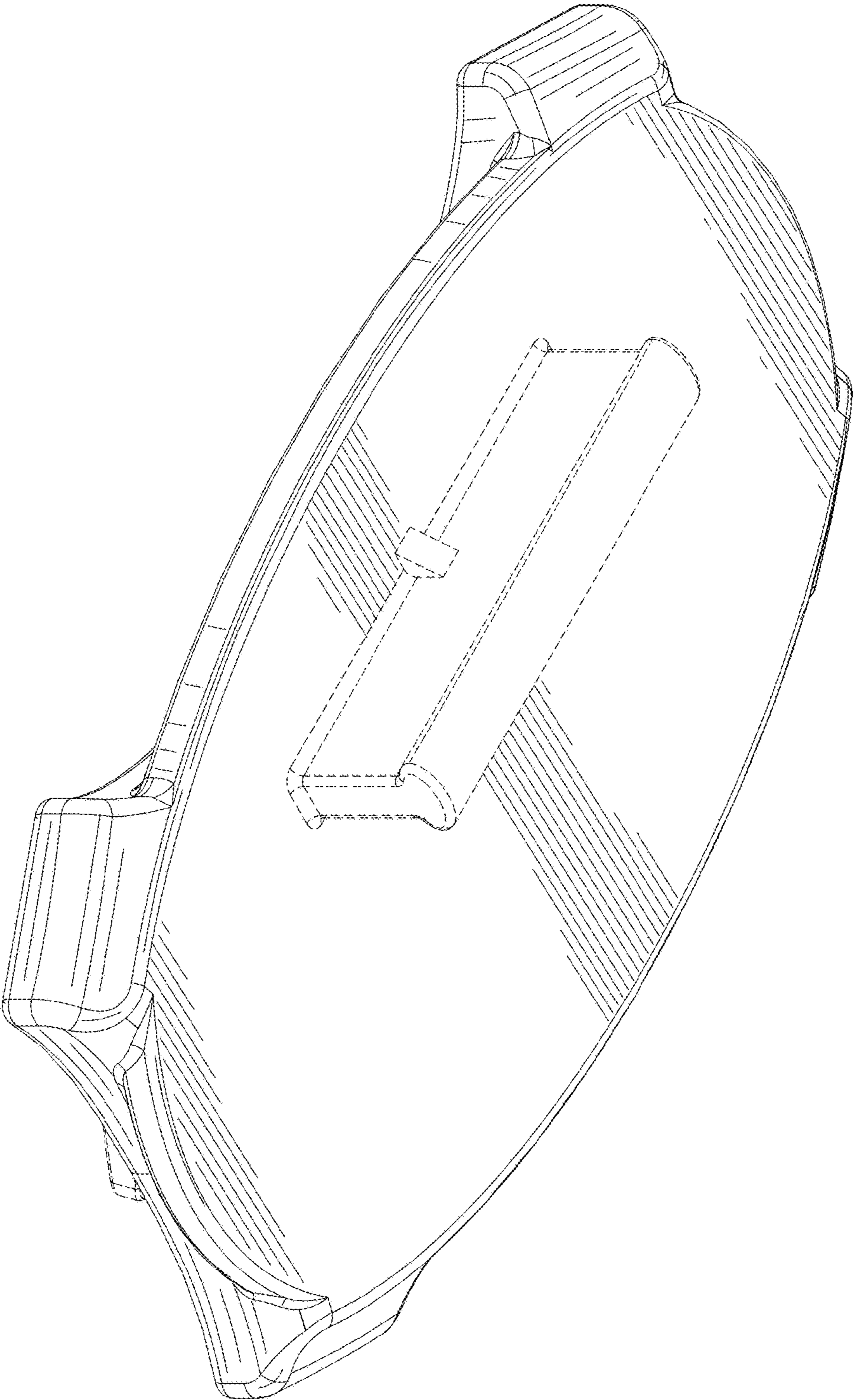


FIG. 10

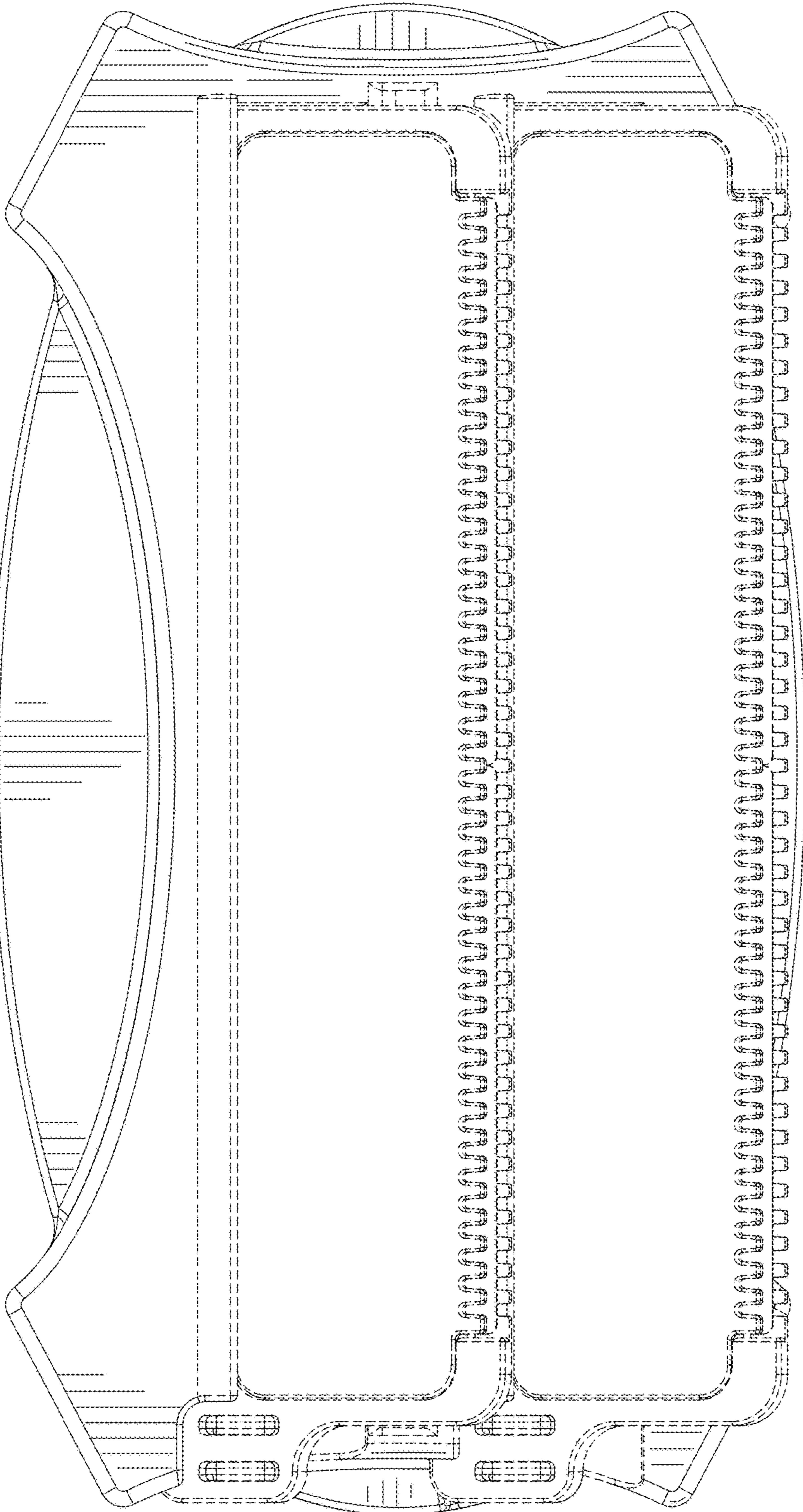


FIG. 11

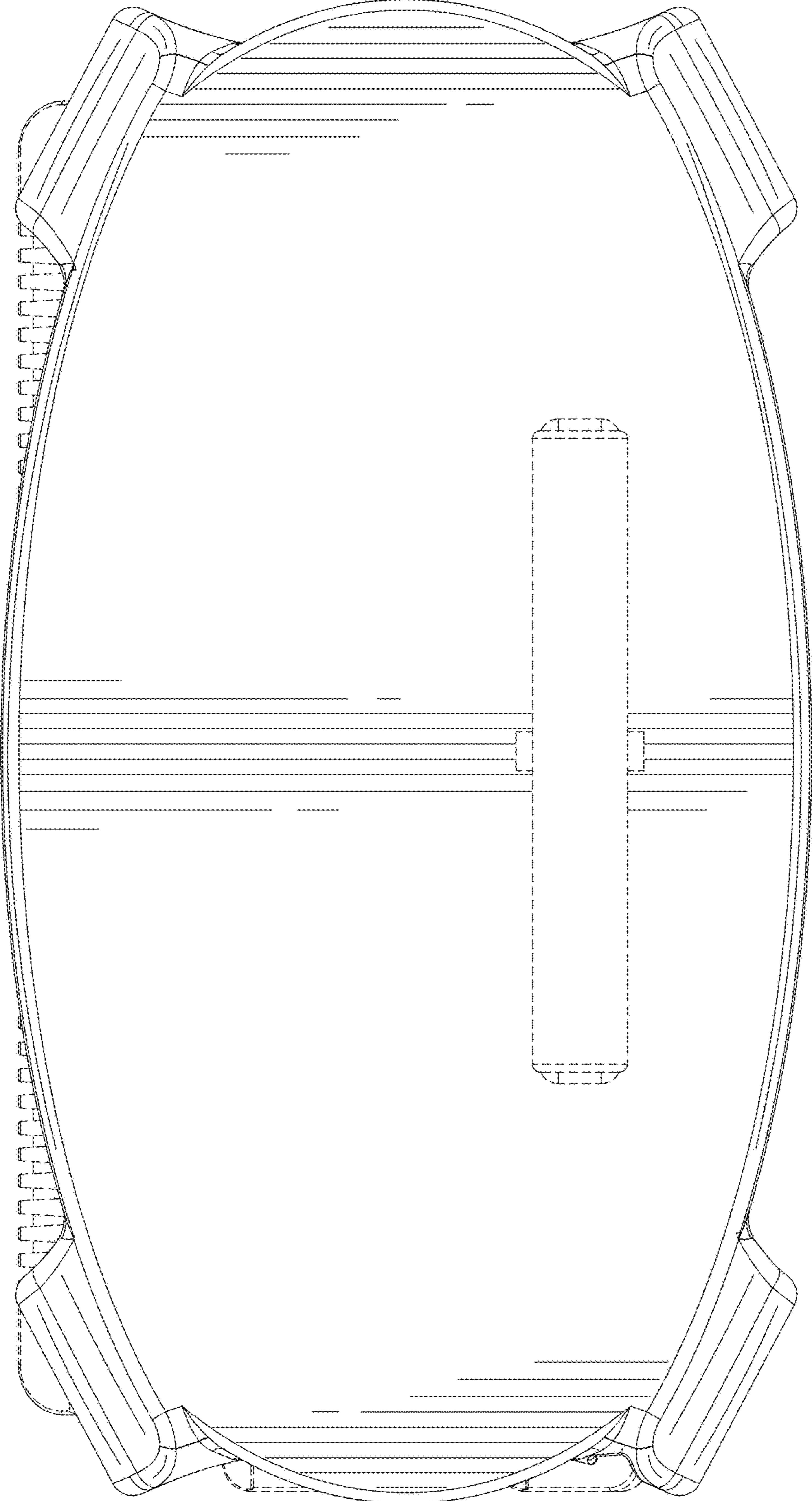


FIG. 12

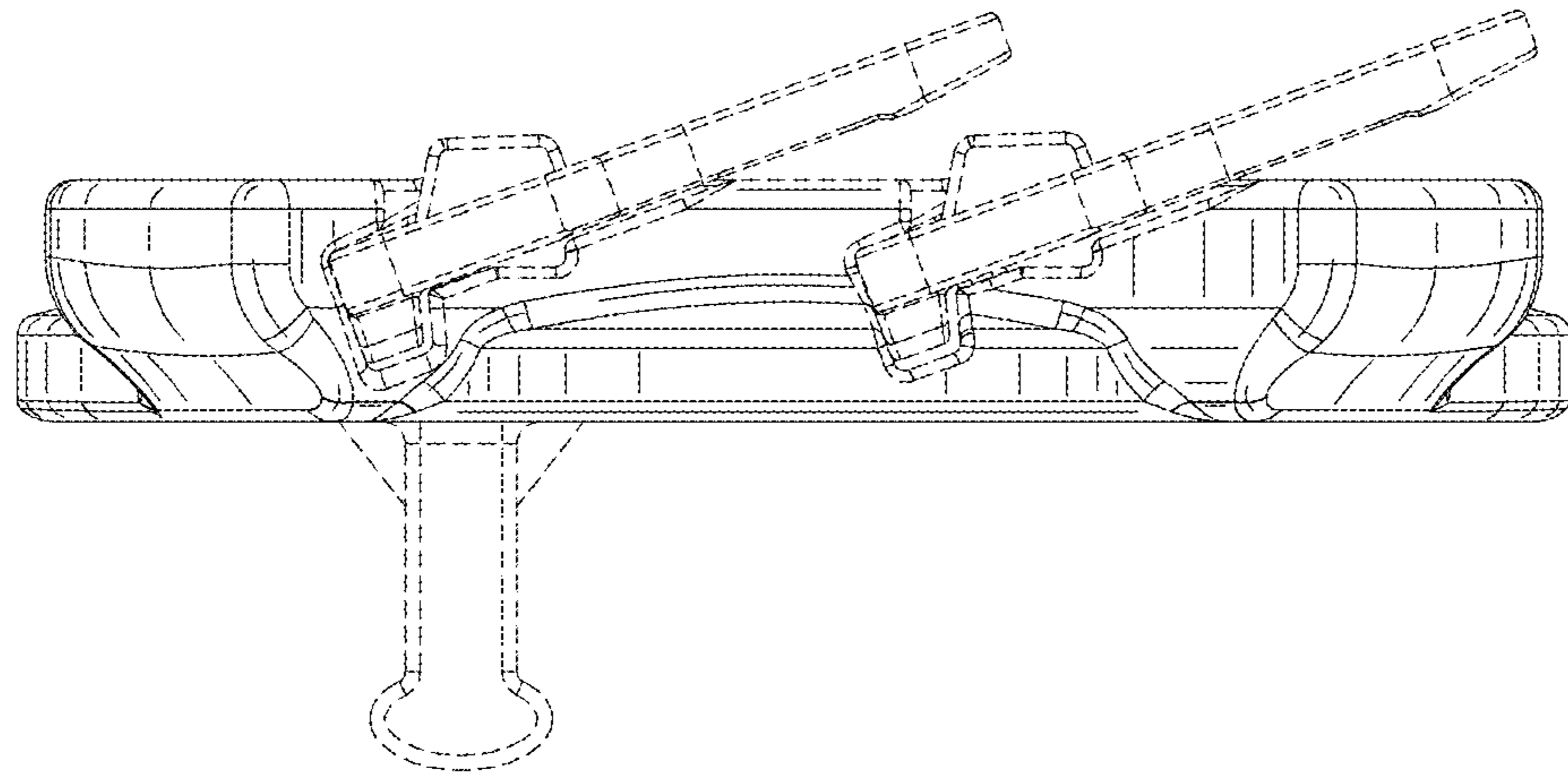


FIG. 13

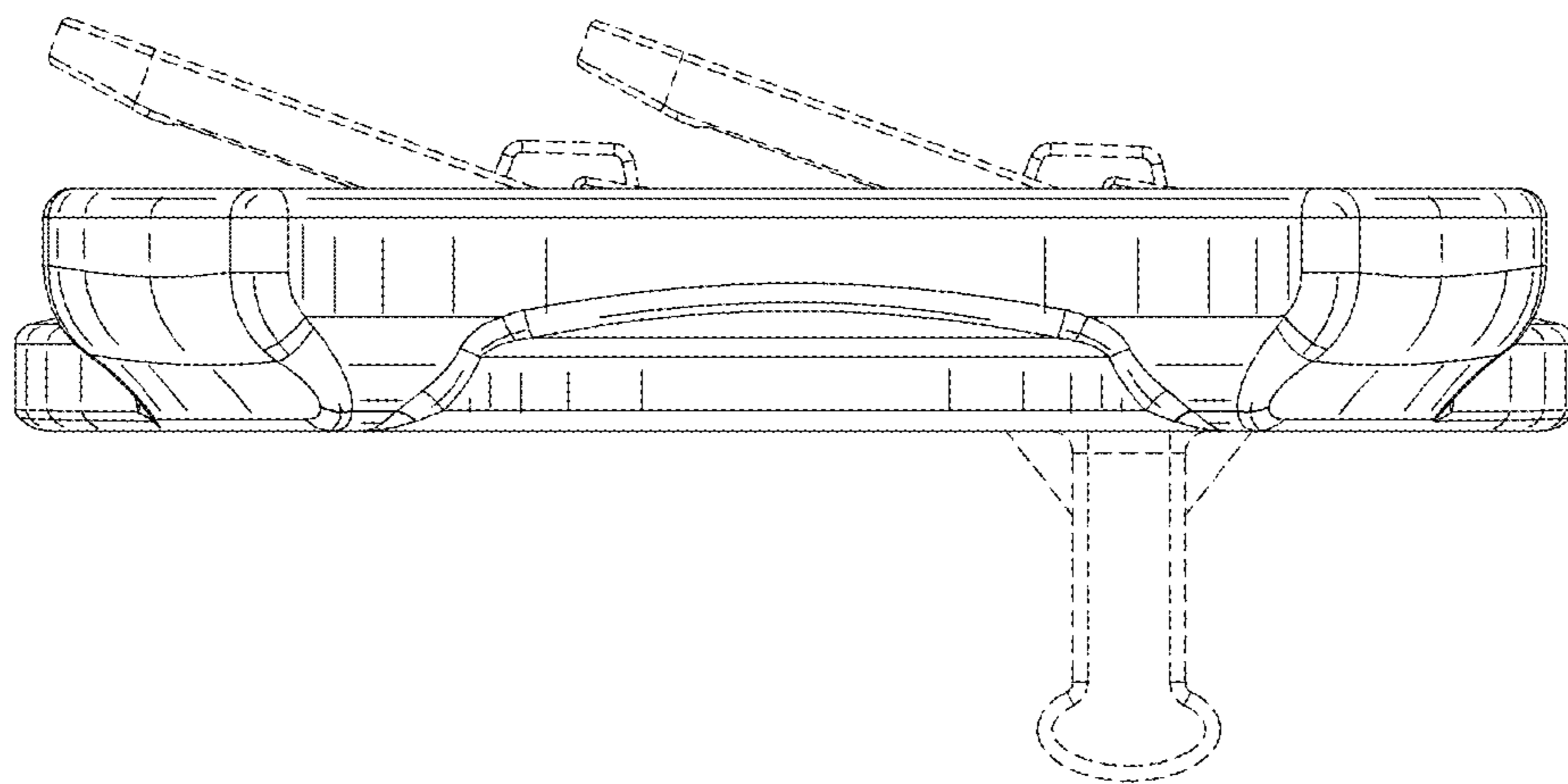


FIG. 14

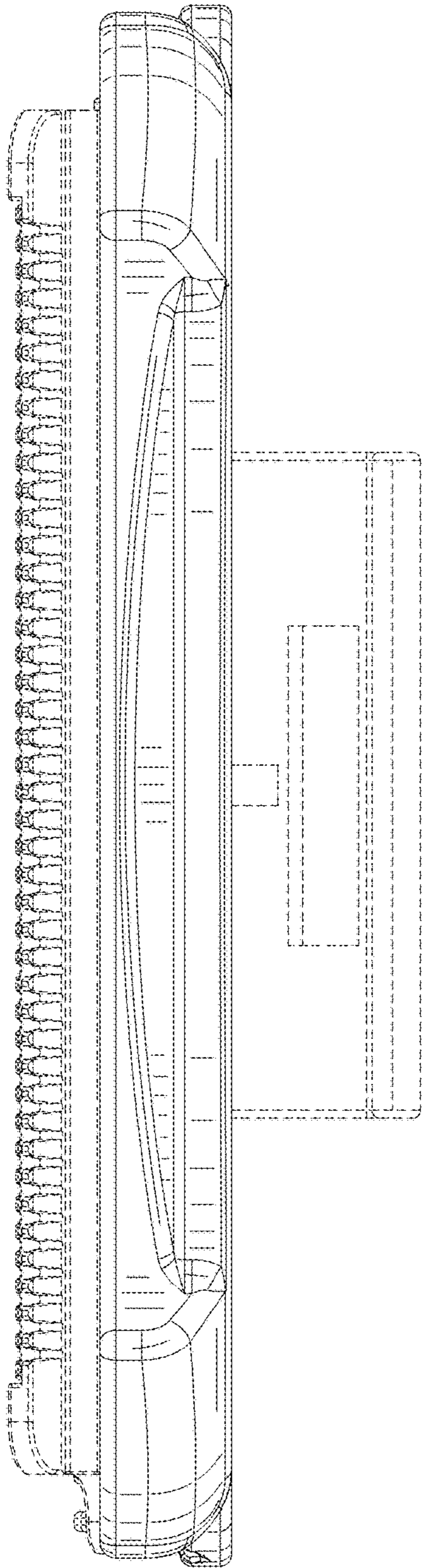


FIG. 15

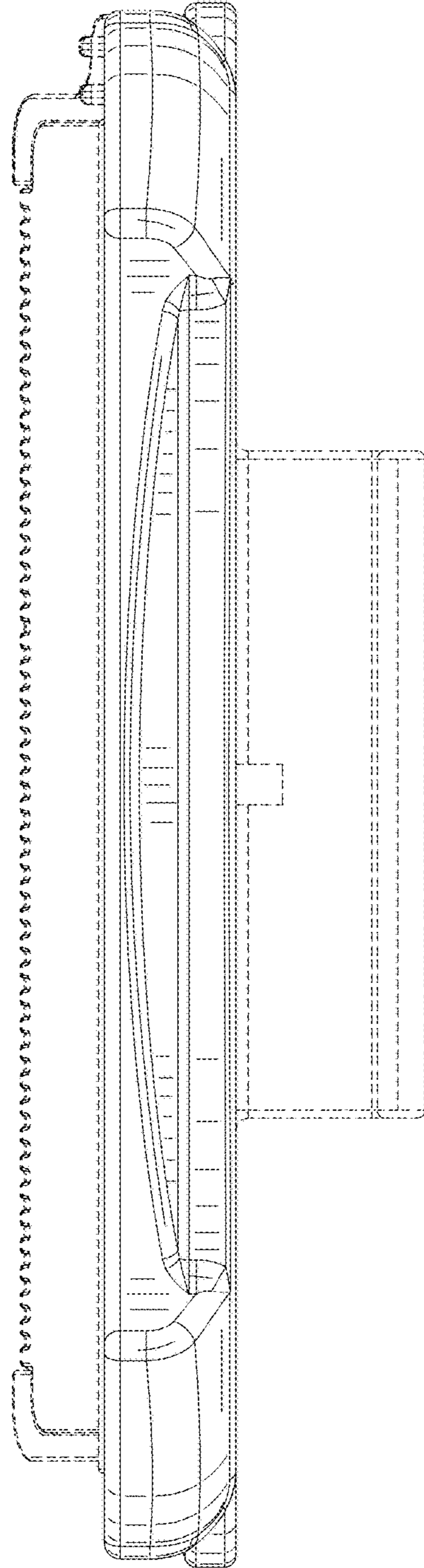


FIG. 16

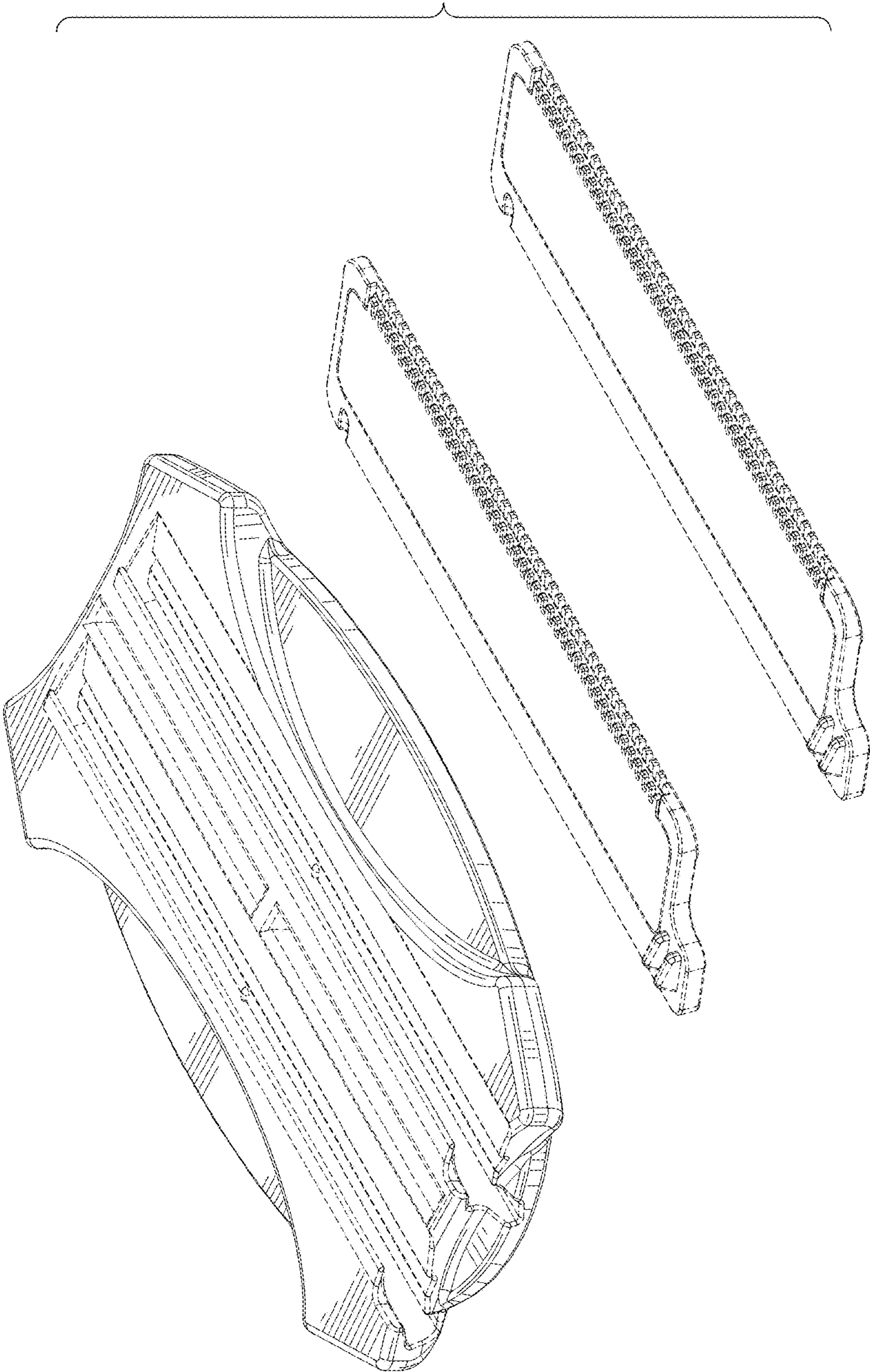


FIG. 17

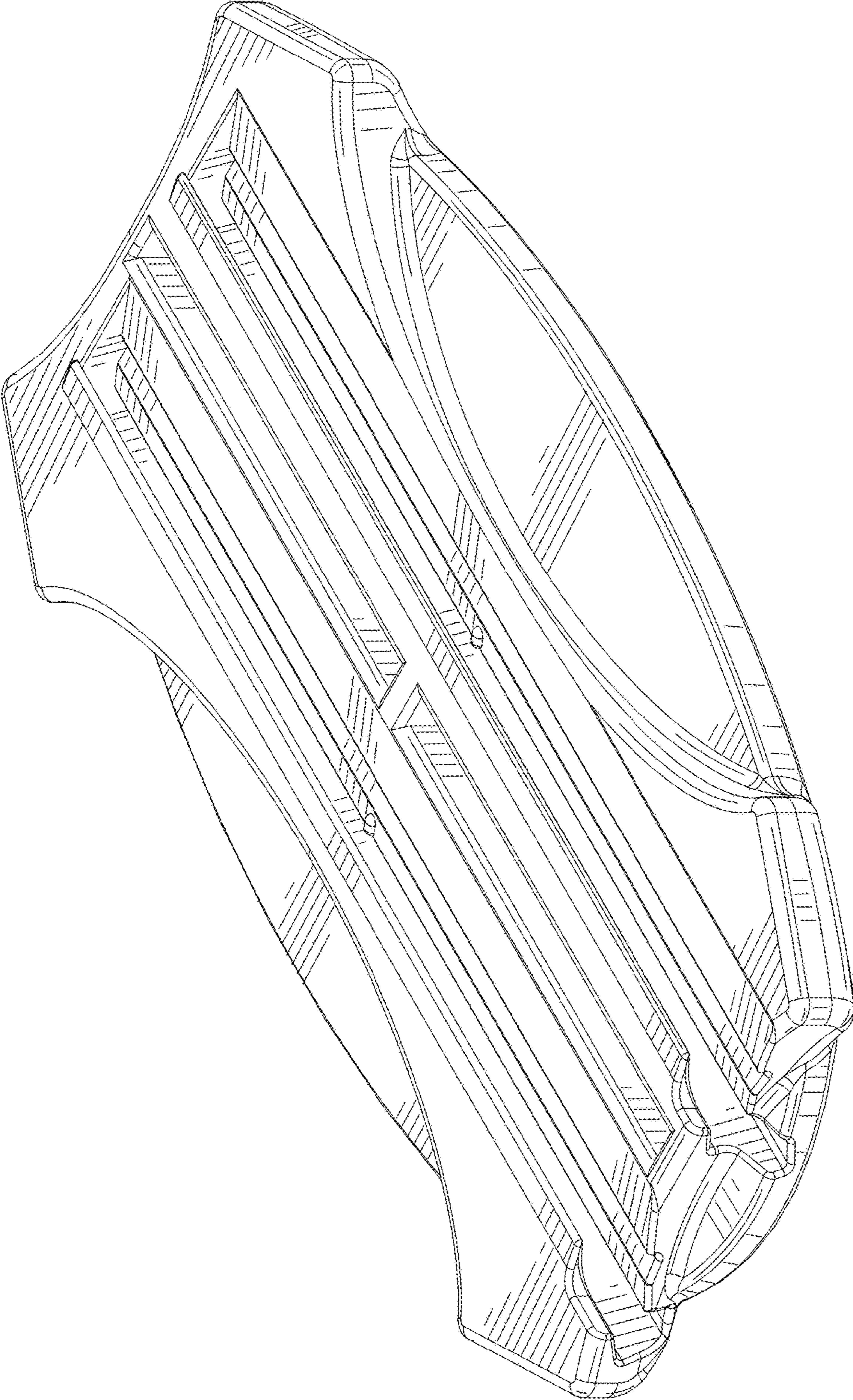


FIG. 18



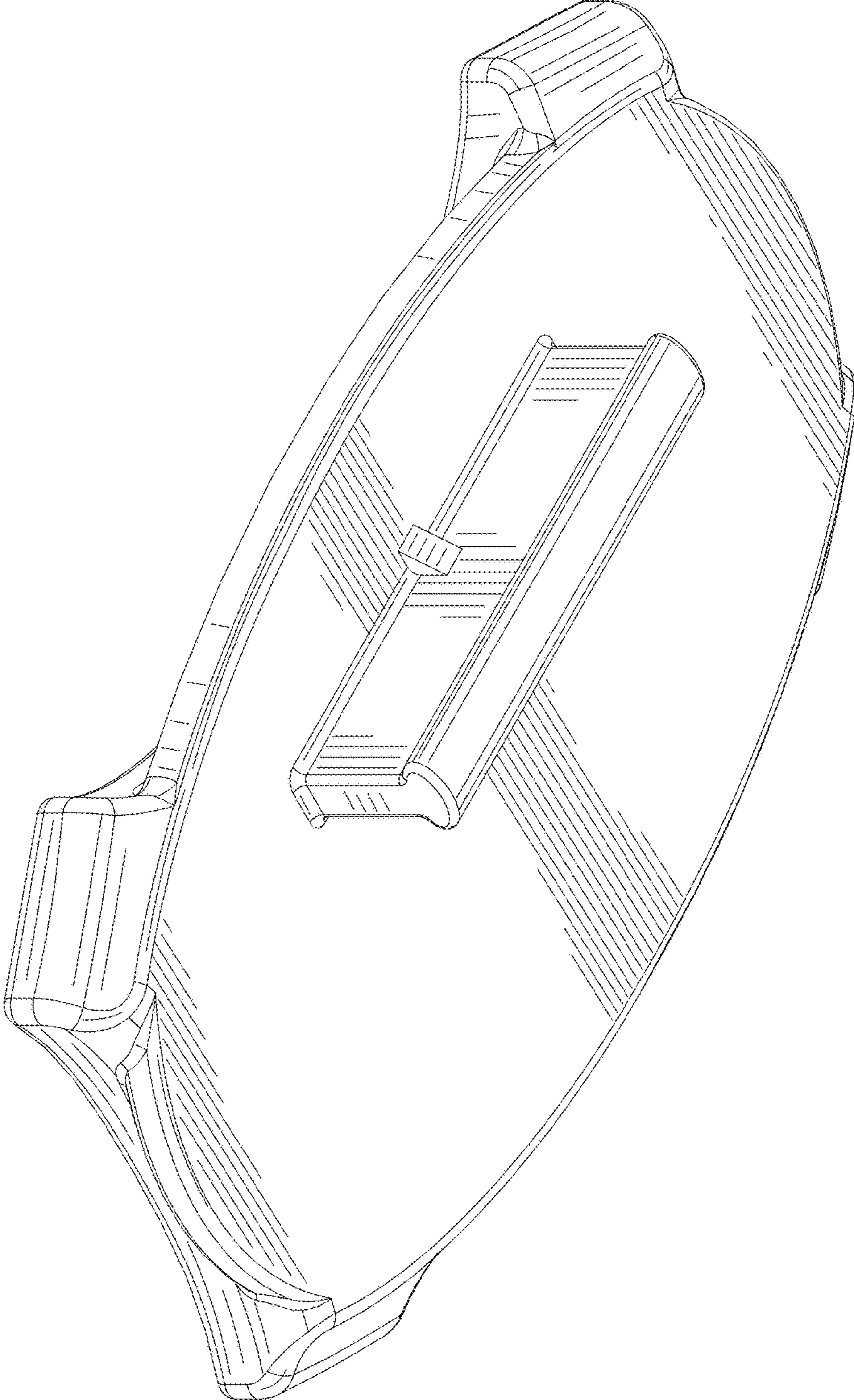


FIG. 19

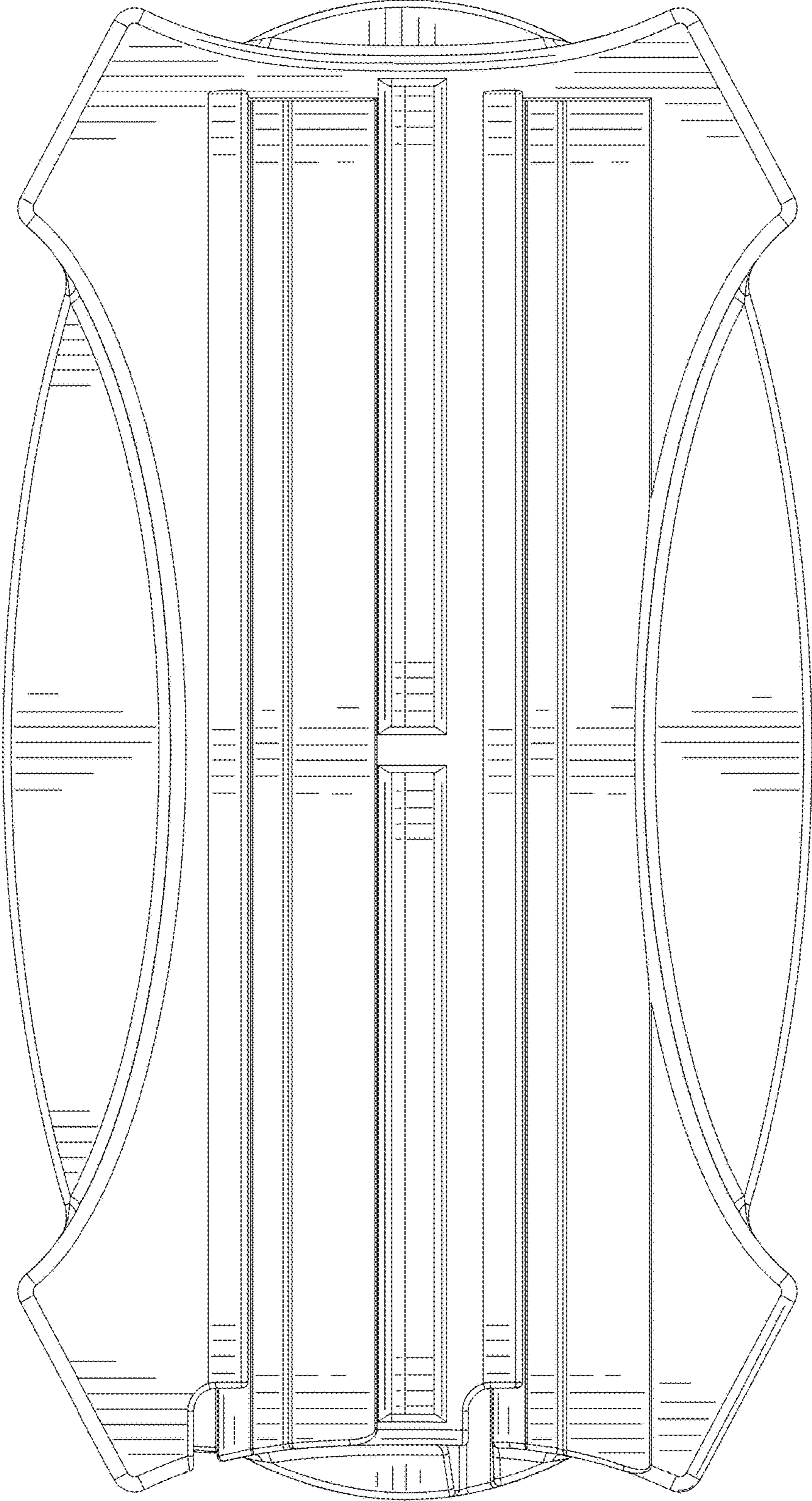


FIG. 20

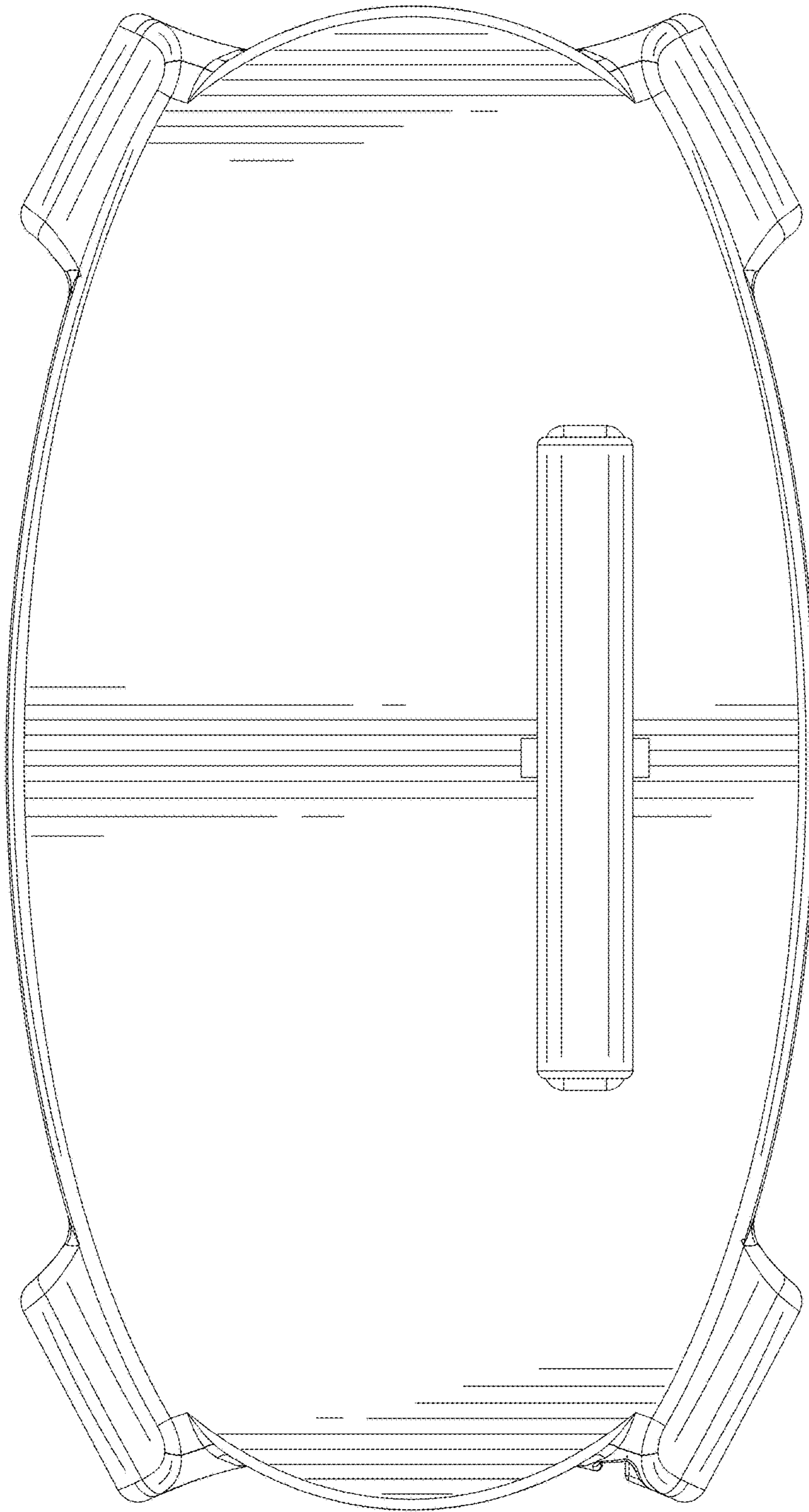


FIG. 21

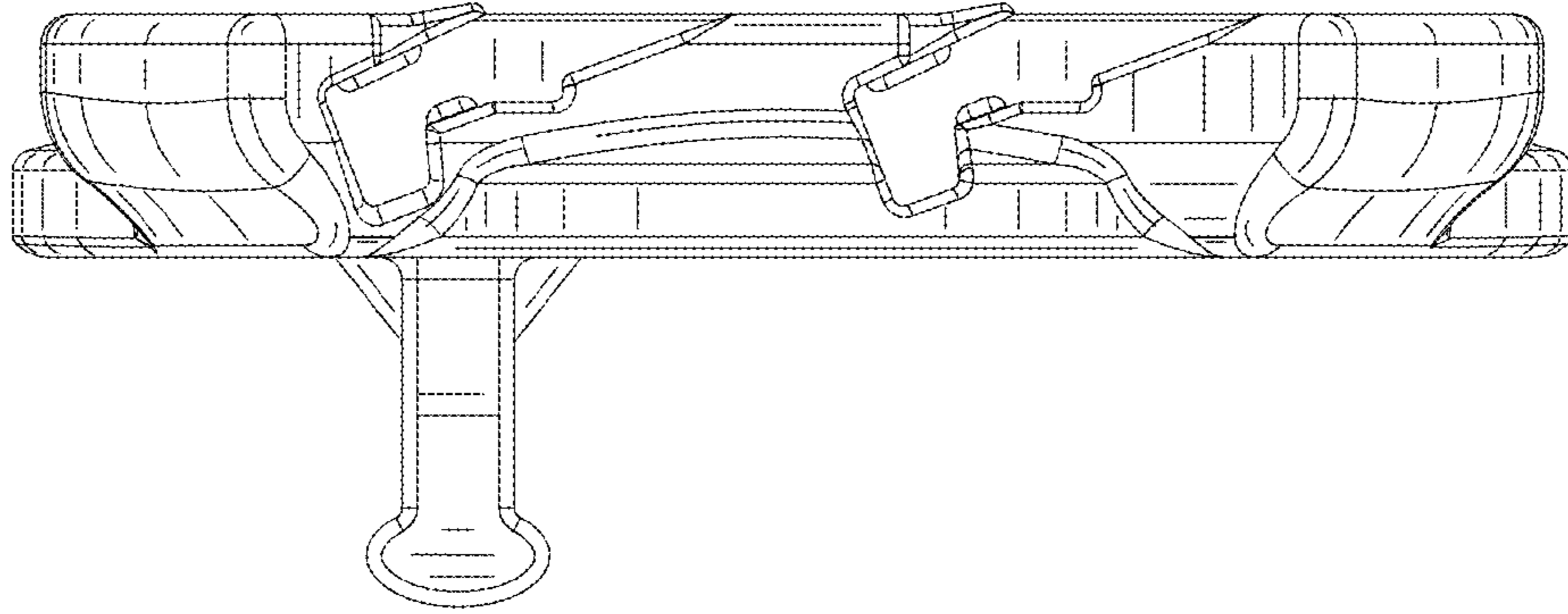


FIG. 22

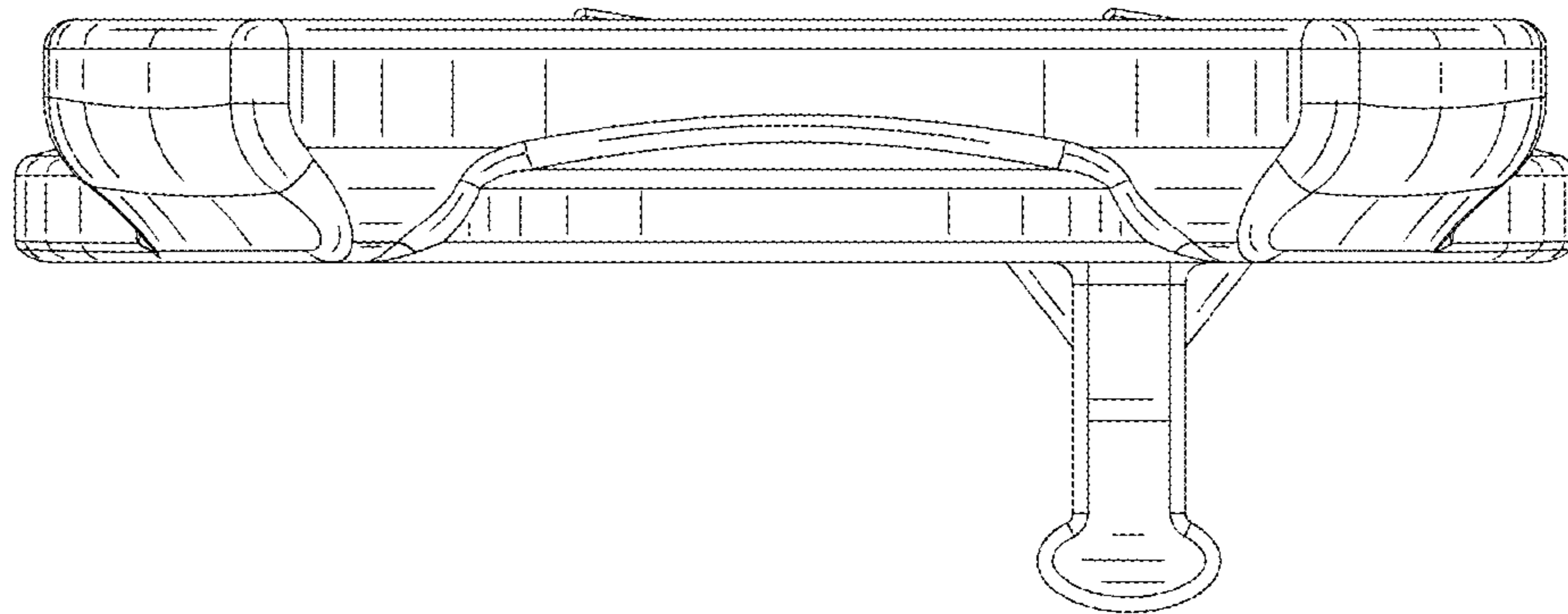


FIG. 23

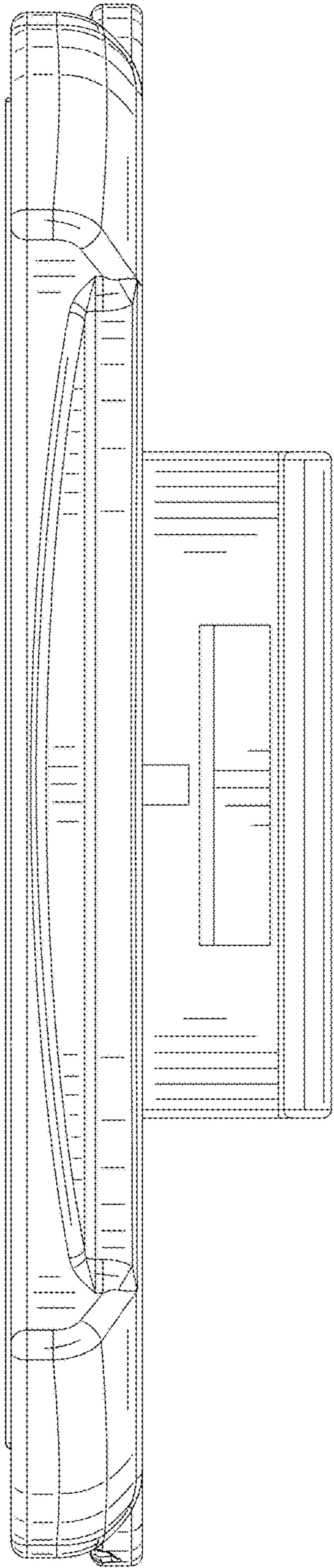


FIG. 24

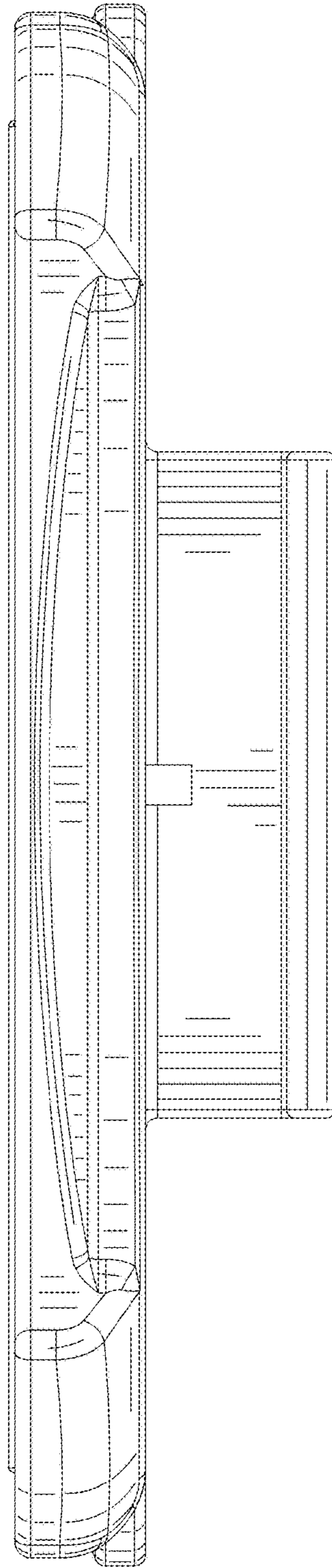


FIG. 25