



US00D825849S

(12) **United States Design Patent**
Carrere

(10) **Patent No.:** **US D825,849 S**

(45) **Date of Patent:** **** Aug. 14, 2018**

(54) **EYELASH CURLER**

(71) Applicant: **Fabio Carrere**, Kowloon (HK)

(72) Inventor: **Fabio Carrere**, Kowloon (HK)

(**) Term: **15 Years**

(21) Appl. No.: **29/580,721**

(22) Filed: **Oct. 12, 2016**

(51) **LOC (11) Cl.** **28-03**

(52) **U.S. Cl.**
USPC **D28/36**

(58) **Field of Classification Search**
USPC D28/36
CPC A45D 2/48; A45D 2/00
See application file for complete search history.

(56) **References Cited**

U.S. PATENT DOCUMENTS

3,016,059	A *	1/1962	Hutton	A45D 2/48
					132/217
3,339,561	A *	9/1967	Brickner	A45D 2/48
					132/217
3,838,699	A *	10/1974	Skandalakis	A45D 2/48
					132/217
4,791,944	A *	12/1988	Stein	A45D 2/48
					132/217
5,097,598	A *	3/1992	Andreula	A45D 44/00
					132/217
5,598,858	A *	2/1997	Wainer	A45D 2/48
					132/216
D406,392	S *	3/1999	Walker	D28/36
D437,086	S *	1/2001	Dickert	D28/36
D437,660	S *	2/2001	Kim	D28/36
D559,449	S *	1/2008	Lin	D28/36

D631,197	S *	1/2011	Ljunggren	D28/36
2013/0074865	A1 *	3/2013	Santillan	A45D 2/48
					132/217
2014/0216489	A1 *	8/2014	Knaus	A45D 40/26
					132/200

OTHER PUBLICATIONS

Google image search for KTB eyelash curler date restricted to before Oct. 11, 2016, 1 page, downloaded Nov. 6, 2017.*
Procurl Lash Curler in Rose Gold/Tweezerman, <http://www.tweezerman.com/best-seller/procurl.html>, Oct. 6, 2016.

* cited by examiner

Primary Examiner — Jennifer Rivard
(74) *Attorney, Agent, or Firm* — Stroock & Stroock & Lavan LLP

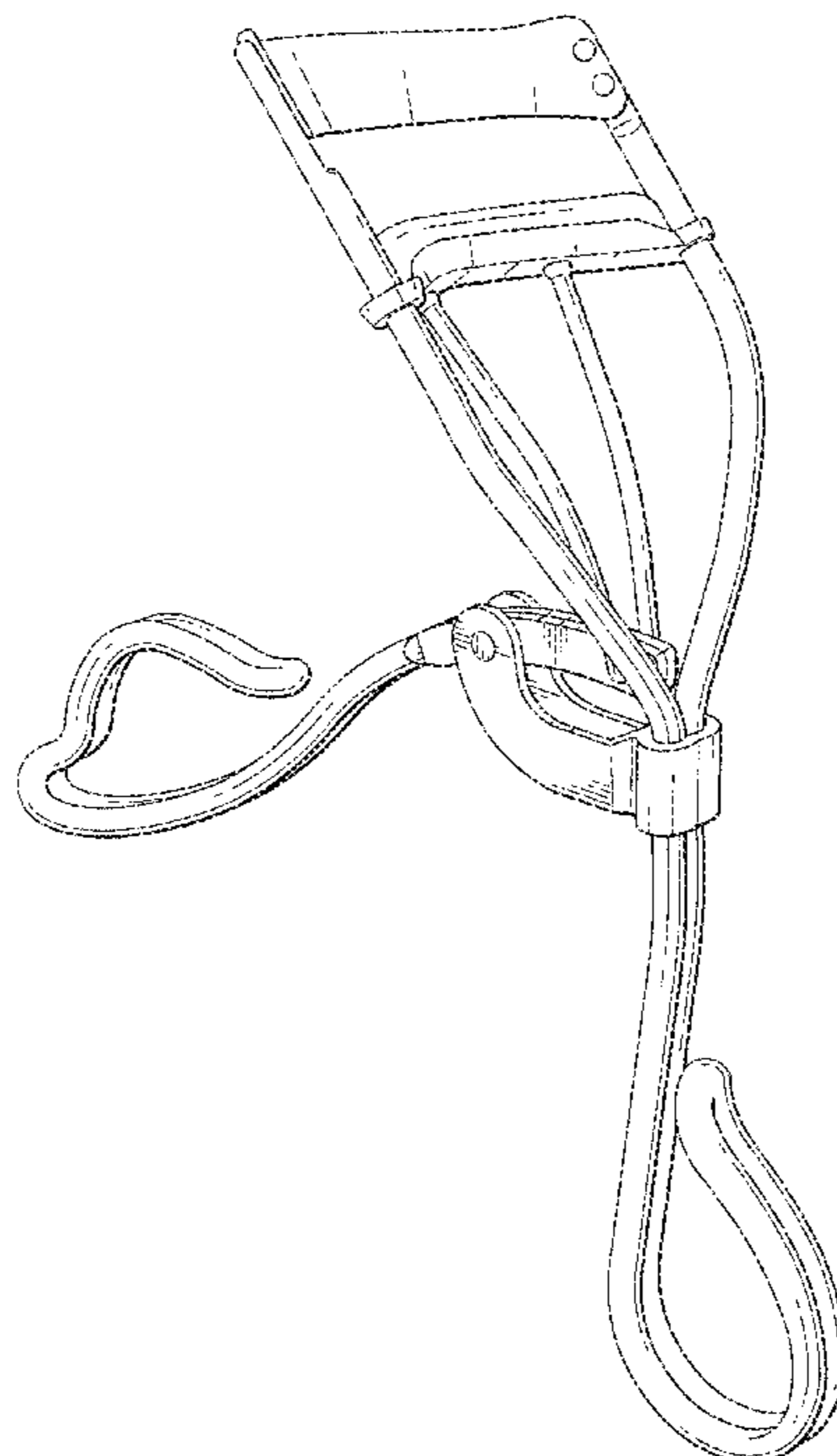
(57) **CLAIM**

The ornamental design for an eyelash curler, as shown and described.

DESCRIPTION

FIG. 1 is an isometric view of an eyelash curler embodying the subject invention;
FIG. 2 is a left elevation view thereof;
FIG. 3 is a front elevation view thereof;
FIG. 4 is a rear elevation view thereof;
FIG. 5 is a top plan view thereof; and,
FIG. 6 is a bottom plan view thereof.
The design illustrated in the drawings depicts an eyelash curler.

1 Claim, 6 Drawing Sheets



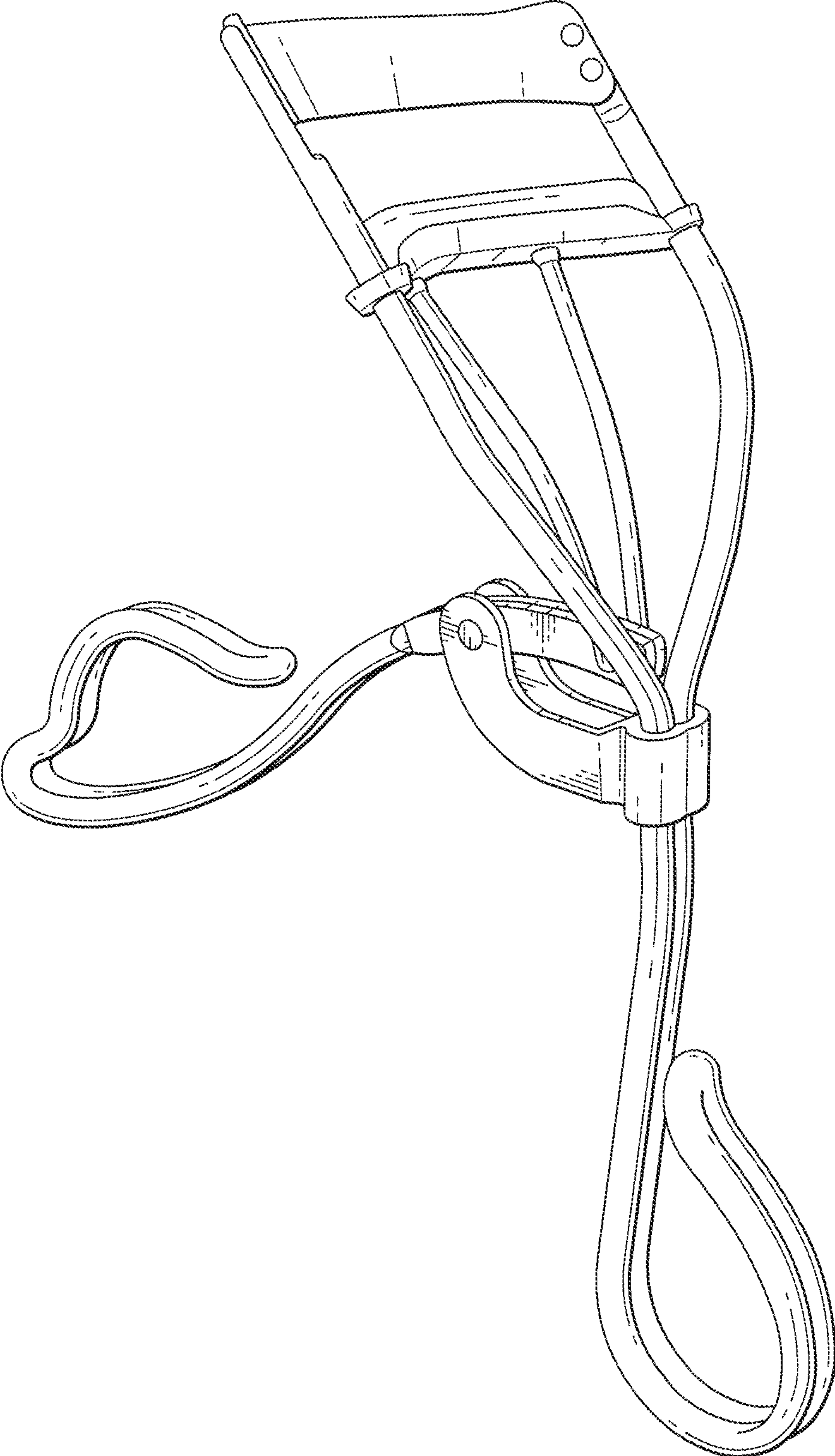


FIG. 1

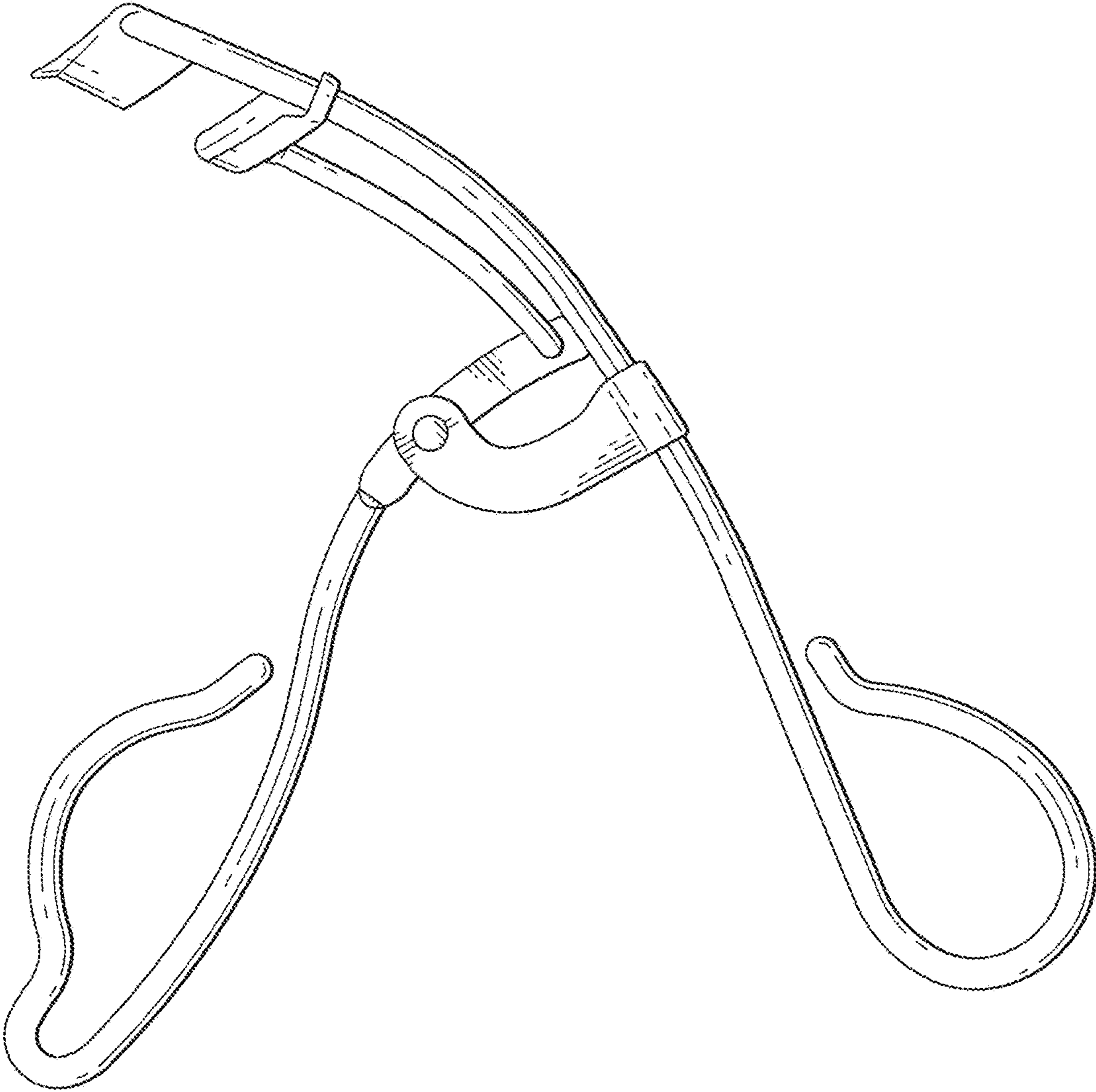


FIG. 2

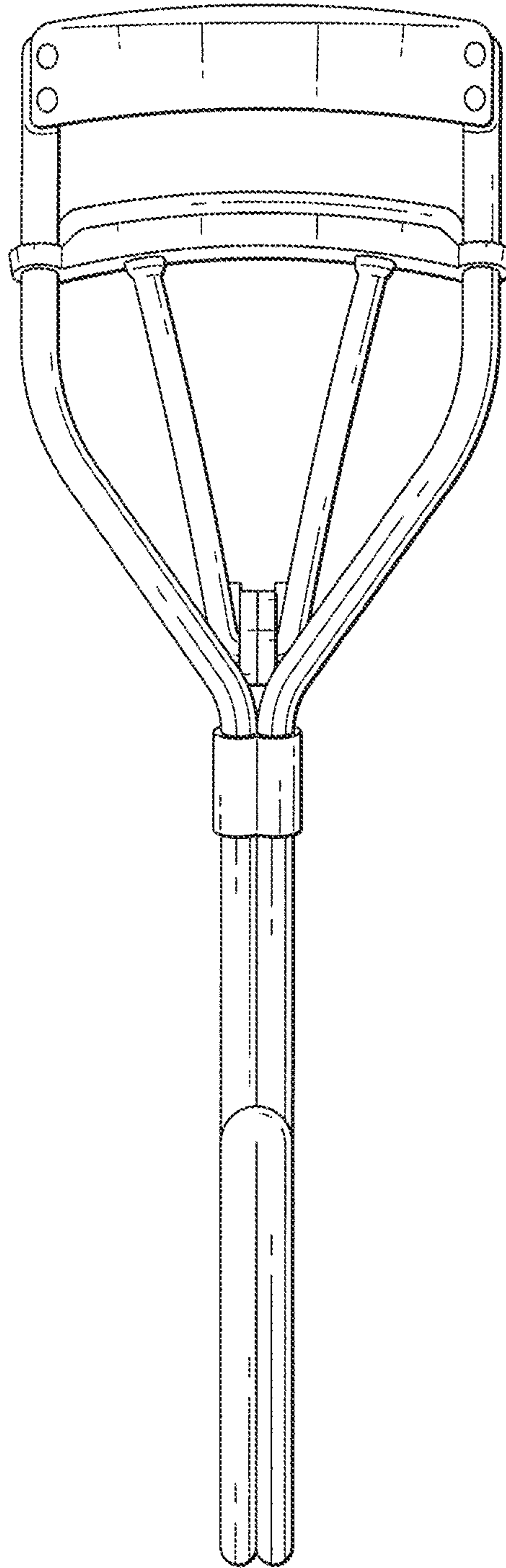


FIG. 3

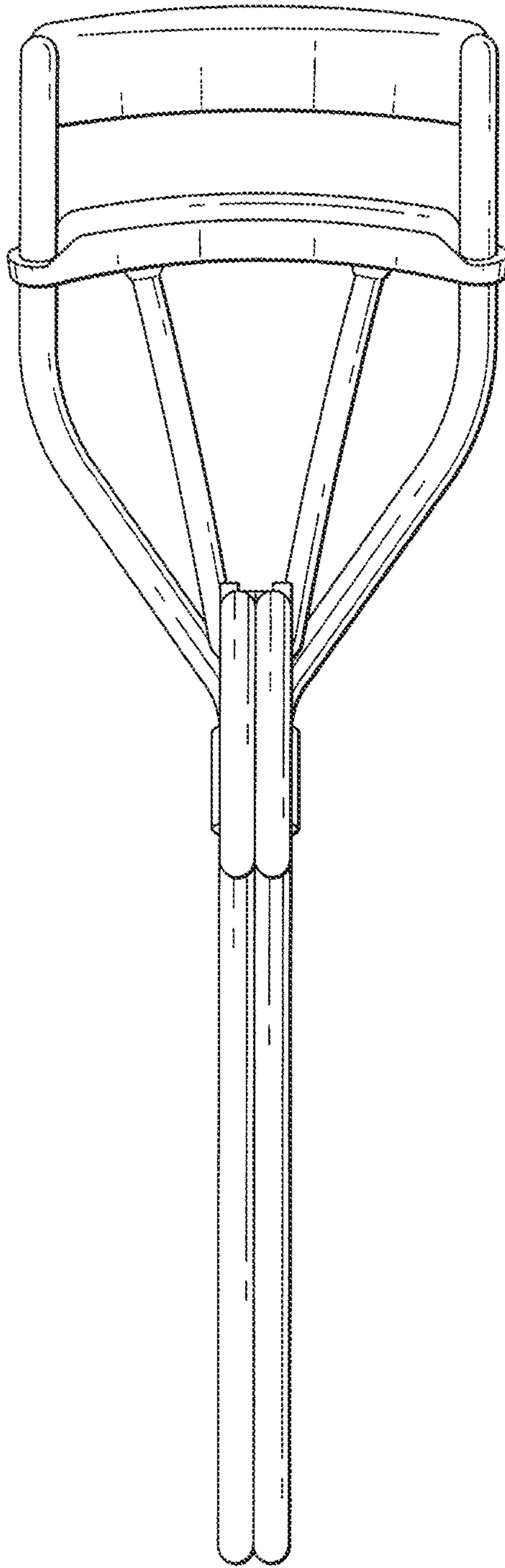


FIG. 4

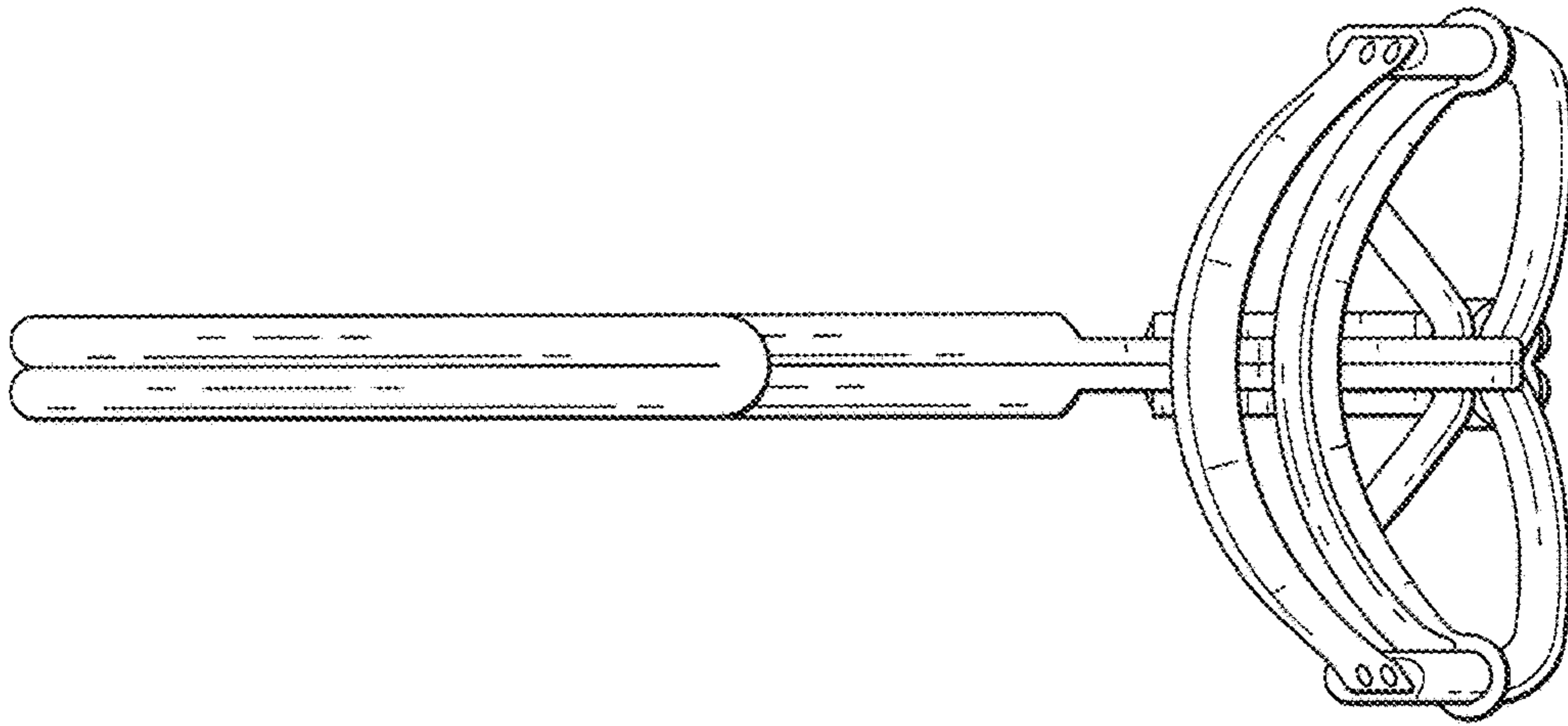


FIG. 5

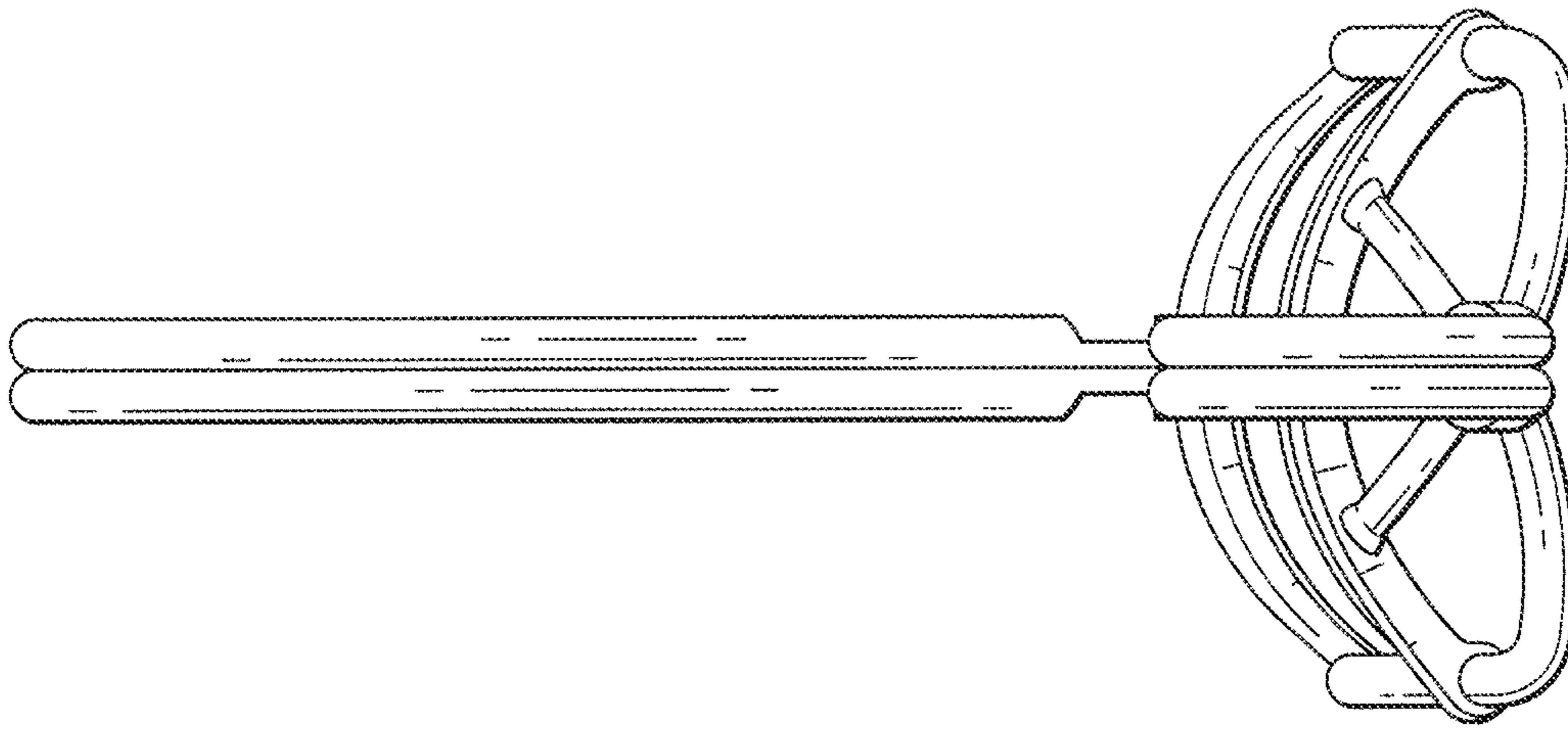


FIG. 6