

US00D825848S

(12) **United States Design Patent**
Brady et al.

(10) **Patent No.:** **US D825,848 S**

(45) **Date of Patent:** **** Aug. 14, 2018**

(54) **HAIR IRON**

(71) Applicant: **Jemella Group Ltd., Leeds (GB)**

(72) Inventors: **Dan Brady, Leeds (GB); Stephen Sayers, Leeds (GB)**

(73) Assignee: **JEMELLA GROUP LIMITED, Leeds (GB)**

(**) Term: **15 Years**

(21) Appl. No.: **29/561,551**

(22) Filed: **Apr. 18, 2016**

(30) **Foreign Application Priority Data**

Feb. 4, 2016 (EM) 002972703-0001

(51) **LOC (11) Cl.** **28-03**

(52) **U.S. Cl.**
USPC **D28/35**

(58) **Field of Classification Search**
USPC D28/10, 35
CPC ... A45D 1/00-1/28; A45D 2/00-2/002; A45D 2/36-2/367; A45D 4/00-4/18
See application file for complete search history.

(56) **References Cited**

U.S. PATENT DOCUMENTS

- D632,428 S * 2/2011 Kim D28/35
- D632,429 S * 2/2011 Kim D28/35
- D651,743 S * 1/2012 Kim D28/35
- D672,087 S * 12/2012 Julemont D28/35
- D719,296 S * 12/2014 Brady D28/35
- D724,267 S * 3/2015 Thornley D28/35
- D726,964 S * 4/2015 Smith D28/35

- D798,503 S * 9/2017 Ceva D28/35
- D804,725 S * 12/2017 Yue D28/35
- D808,588 S * 1/2018 Kim D28/35
- 2007/0218746 A1 * 9/2007 Hur H01R 13/502
439/369

FOREIGN PATENT DOCUMENTS

EM 002522532-001 * 8/2014

* cited by examiner

Primary Examiner — Jennifer A Rivard

(74) *Attorney, Agent, or Firm* — Stephen J. Weyer, Esq.; Stites & Harbison, PLLC

(57) **CLAIM**

The ornamental design for a hair iron, as shown and described.

DESCRIPTION

FIG. 1 is a perspective view taken from the top, front, and left side of the hair iron of the present invention, shown in its open configuration.

FIG. 2 is a left side elevation view of the hair iron of FIG. 1, shown in its closed configuration.

FIG. 3 is a left side elevation view of the hair iron of FIG. 1, shown in its opened configuration, the right side elevation view being a mirror image, thereof.

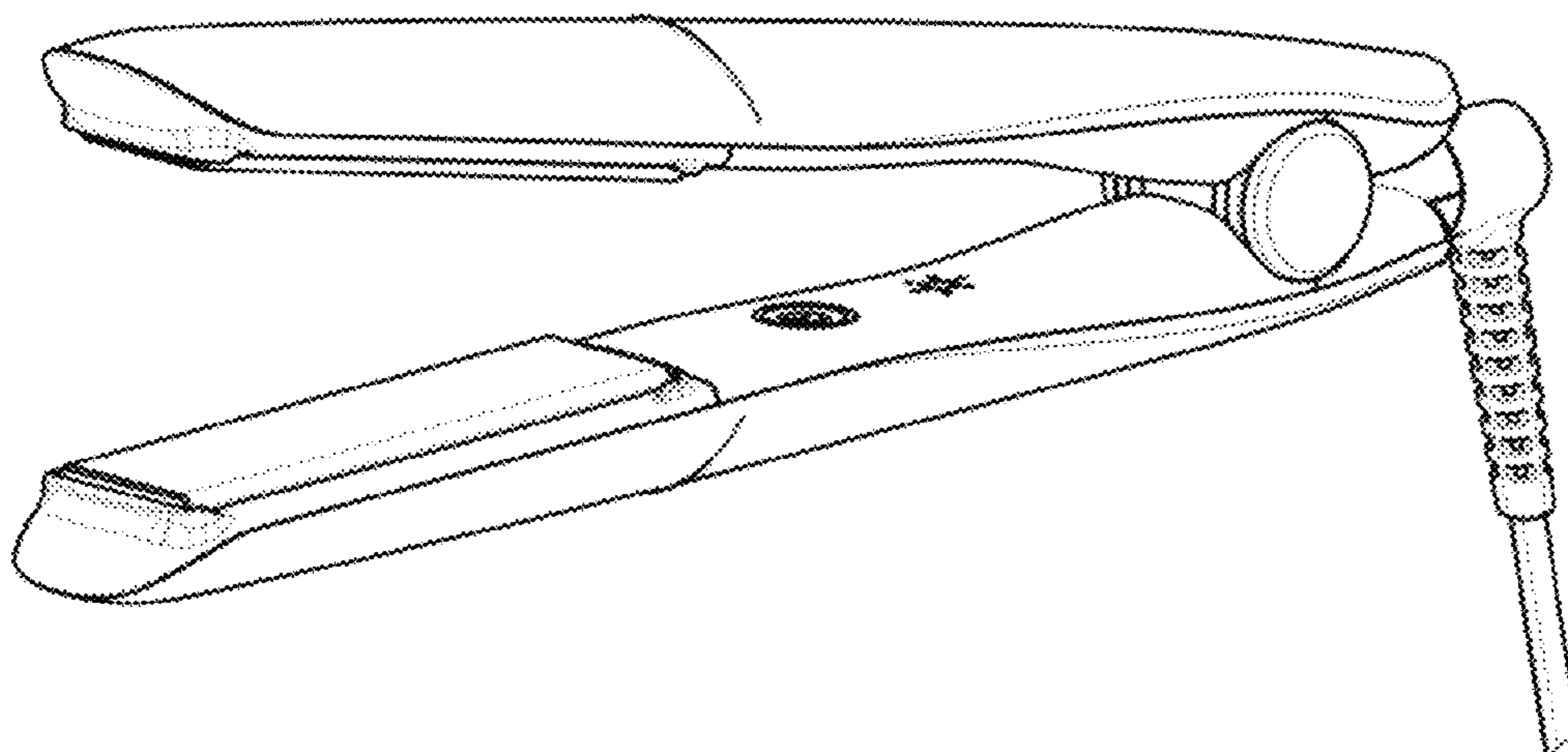
FIG. 4 is a top plan view of the hair iron of FIG. 1, shown in its open configuration.

FIG. 5 is a bottom plan view of the hair iron of FIG. 1, shown in its open configuration.

FIG. 6 is a front elevational view of the hair iron of FIG. 1, shown in its open configuration; and,

FIG. 7 is a rear elevational view of the hair iron of FIG. 1, shown in its open configuration.

1 Claim, 7 Drawing Sheets



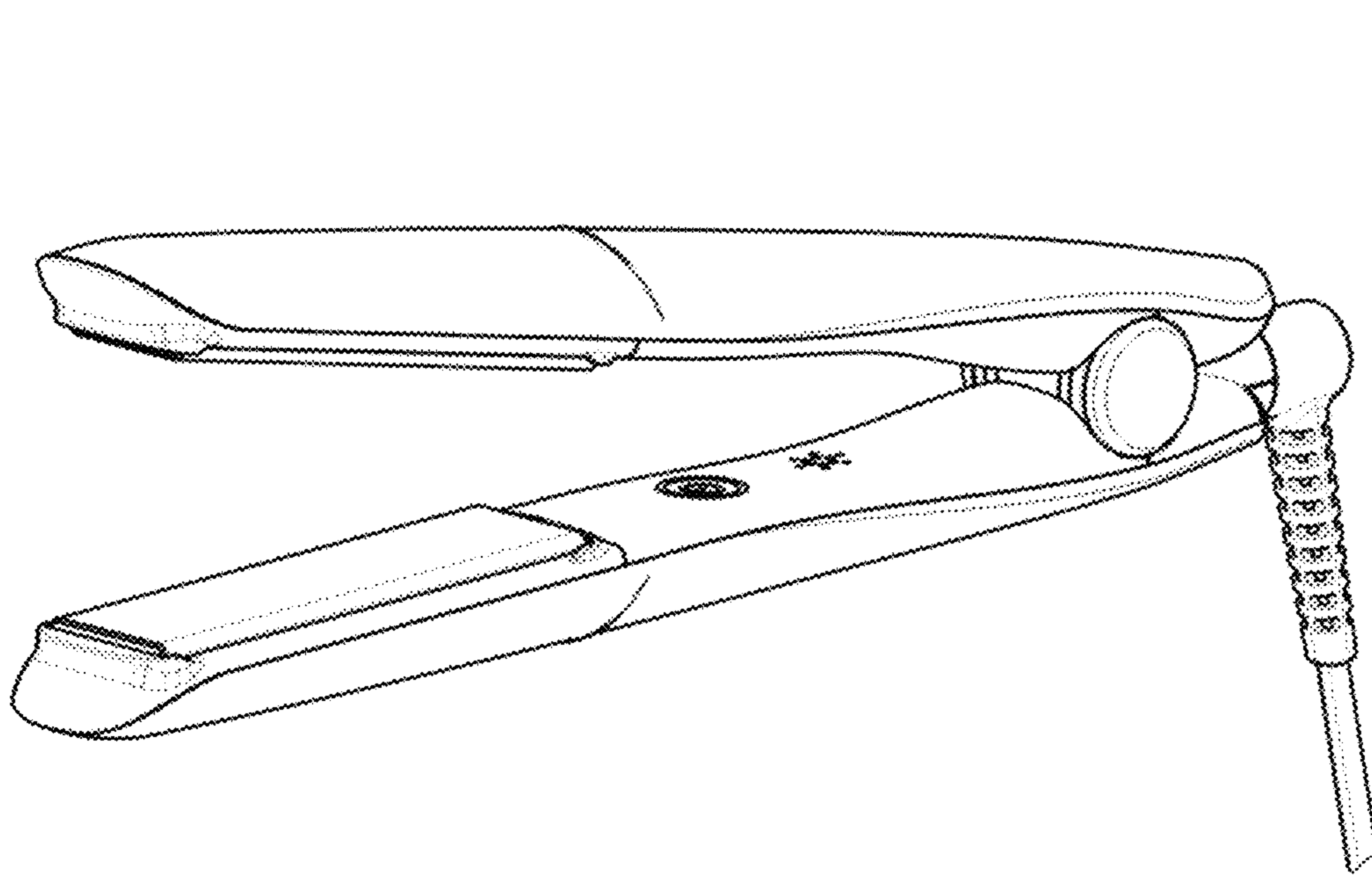


Figure 1

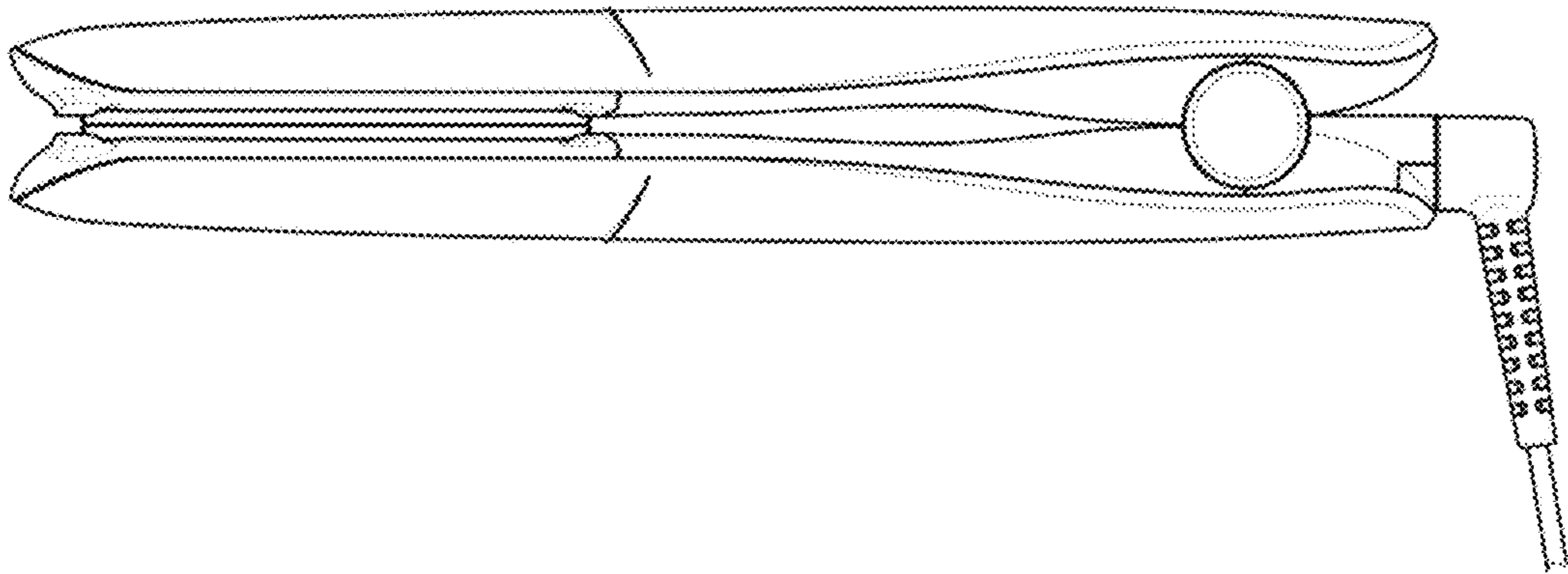


Figure 2

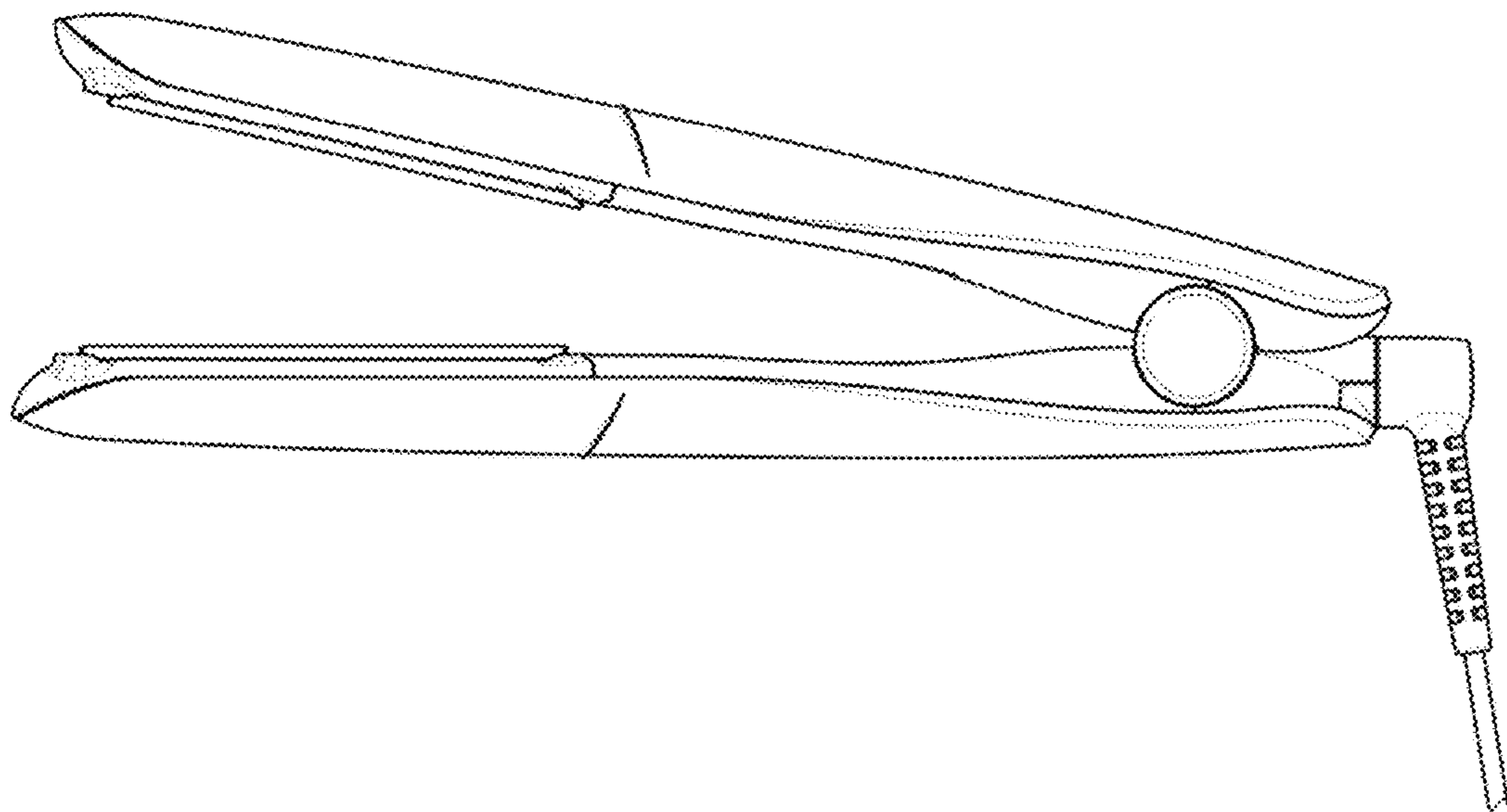


Figure 3

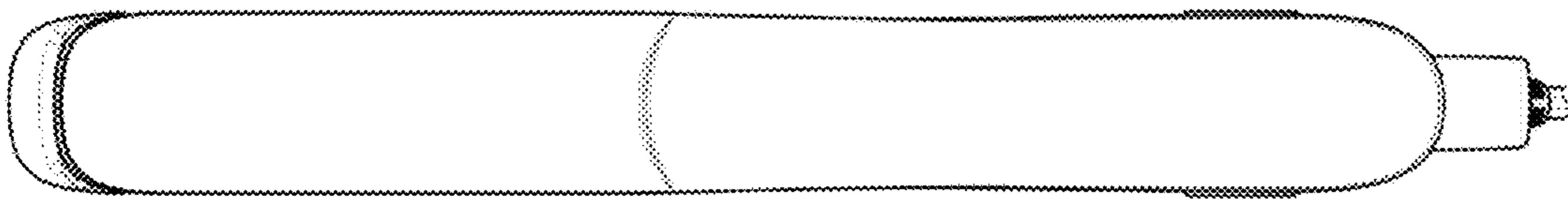


Figure 4

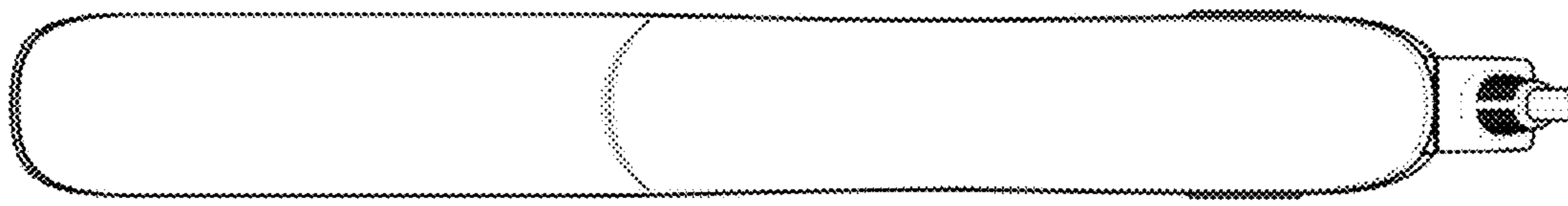


Figure 5

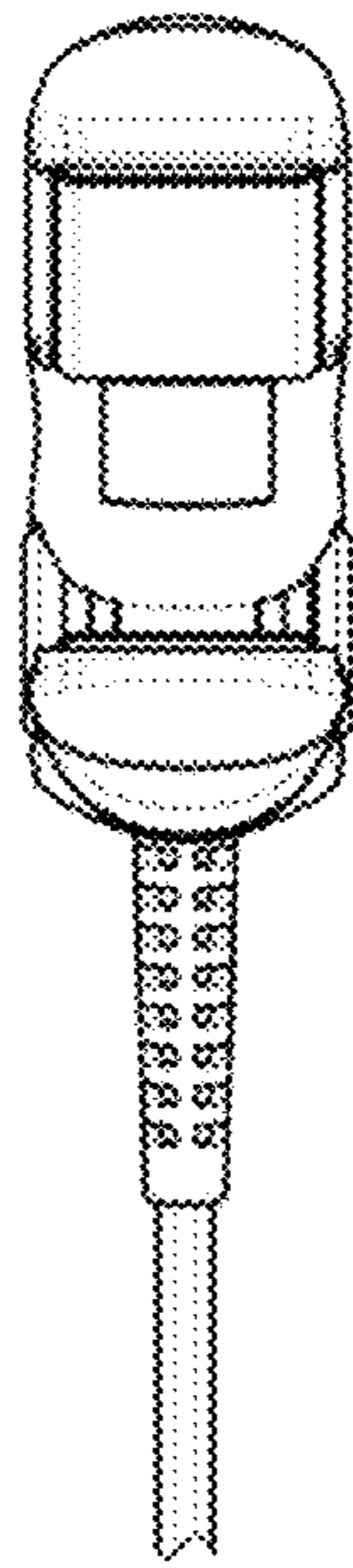


Figure 6

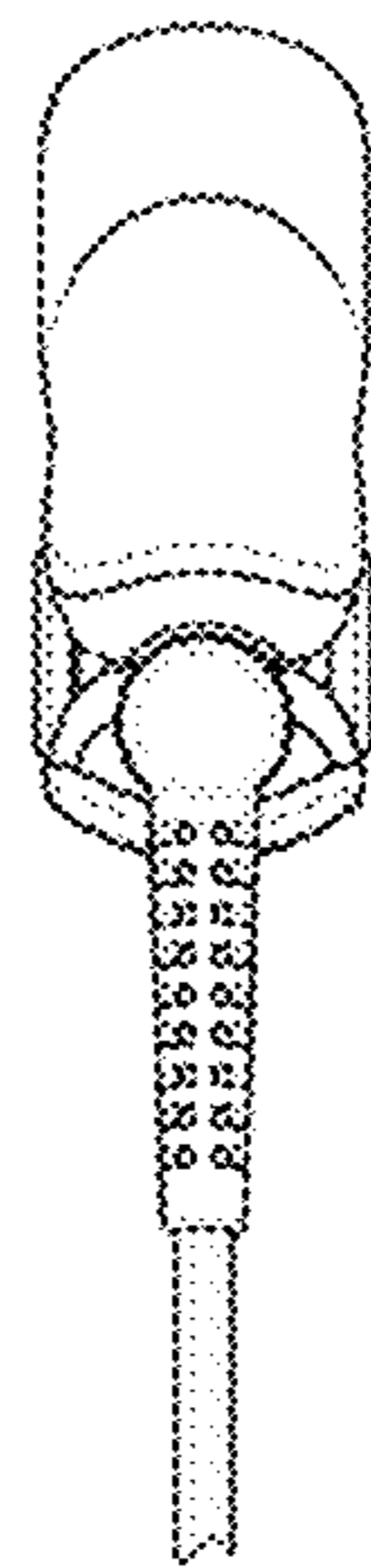


Figure 7