



US00D825846S

(12) **United States Design Patent**
Bailey

(10) **Patent No.:** **US D825,846 S**

(45) **Date of Patent:** **** Aug. 14, 2018**

- (54) **SUNSCREEN APPLICATOR**
- (71) Applicant: **Jeff Bailey**, Woodstock, NH (US)
- (72) Inventor: **Jeff Bailey**, Woodstock, NH (US)
- (**) Term: **15 Years**
- (21) Appl. No.: **29/604,599**
- (22) Filed: **May 18, 2017**
- (51) **LOC (11) Cl.** **28-03**
- (52) **U.S. Cl.**
USPC **D28/7; D14/228**
- (58) **Field of Classification Search**
USPC D28/7, 8; D24/168, 187, 189, 190;
D14/225–228
CPC . A61K 8/99; A61K 8/042; A61K 8/34; A61K
8/245; A61K 8/19
See application file for complete search history.

(56) **References Cited**

U.S. PATENT DOCUMENTS

- 3,642,558 A * 2/1972 Gorike H04R 1/083
381/355
- 4,065,648 A * 12/1977 Cvetko H04R 1/086
381/359
- 4,171,171 A 10/1979 Jones
- D295,224 S * 4/1988 Miyamoto D14/228
- 4,896,984 A 1/1990 Evans
- 5,323,257 A * 6/1994 Abe H04B 10/11
381/172
- 6,061,457 A * 5/2000 Stockhamer H04R 1/00
367/140
- 6,247,862 B1 6/2001 Garza
- 6,261,014 B1 7/2001 Altobellis et al.
- D449,041 S * 10/2001 Koike D14/228
- D473,465 S * 4/2003 Green D14/228
- 6,550,996 B1 4/2003 Rayfield
- D479,836 S * 9/2003 Thornton D14/228
- 7,040,830 B2 5/2006 Kliegman et al.
- 7,086,796 B2 8/2006 Severa

- 7,155,024 B2 * 12/2006 Chang H04R 1/083
381/362
- D566,574 S * 4/2008 Ayinde D7/515
- 7,580,762 B2 * 8/2009 Abrams H04K 1/00
381/111
- 8,469,041 B2 6/2013 Pires et al.
- D717,170 S * 11/2014 Tan D1/116
- 9,113,116 B1 * 8/2015 Al-Saffar H04N 5/645
- 2007/0127980 A1 6/2007 Tamez
- 2010/0044253 A1 2/2010 Santalucia
- 2014/0199489 A1 7/2014 King
- 2016/0270511 A1 9/2016 Wee
- 2016/0286933 A1 10/2016 Northcott

FOREIGN PATENT DOCUMENTS

- WO 2004006879 1/2004
- WO 2016085818 6/2016

* cited by examiner

Primary Examiner — Brandon M Rosati

Assistant Examiner — John A Voytek

(74) *Attorney, Agent, or Firm* — Lambert & Associates;
Gary E. Lambert; David J. Connaughton, Jr.

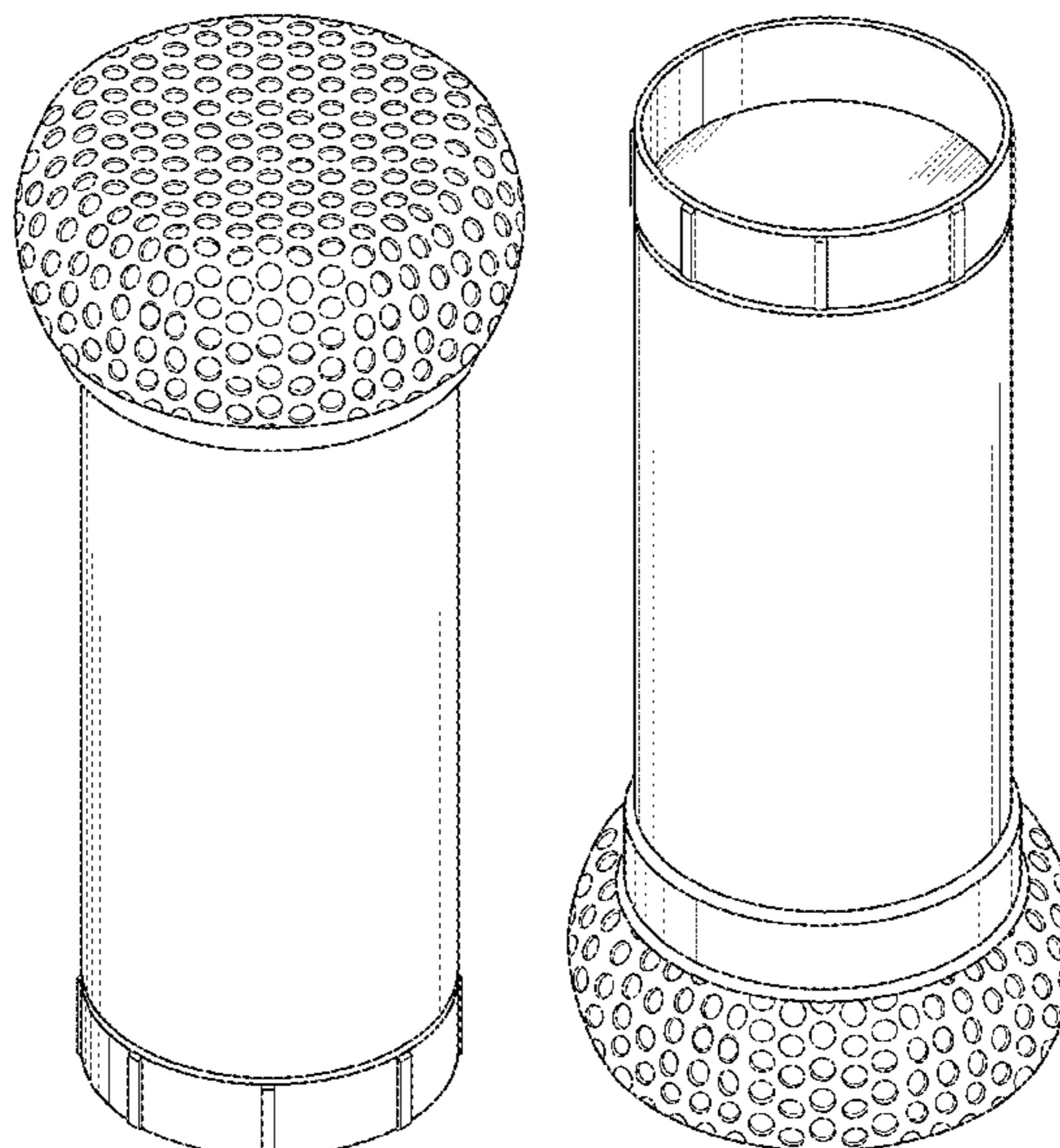
(57) **CLAIM**

The ornamental design for a sunscreen applicator, as shown and described.

DESCRIPTION

FIG. 1 is an isometric view of the sunscreen applicator, which embodies my design;
 FIG. 2 is an isometric view of the sunscreen applicator;
 FIG. 3 is a side view of the isometric view of the sunscreen applicator;
 FIG. 4 is a side view of the isometric view of the sunscreen applicator;
 FIG. 5 is a top view of the sunscreen applicator; and,
 FIG. 6 is a bottom view of the sunscreen applicator.

1 Claim, 4 Drawing Sheets



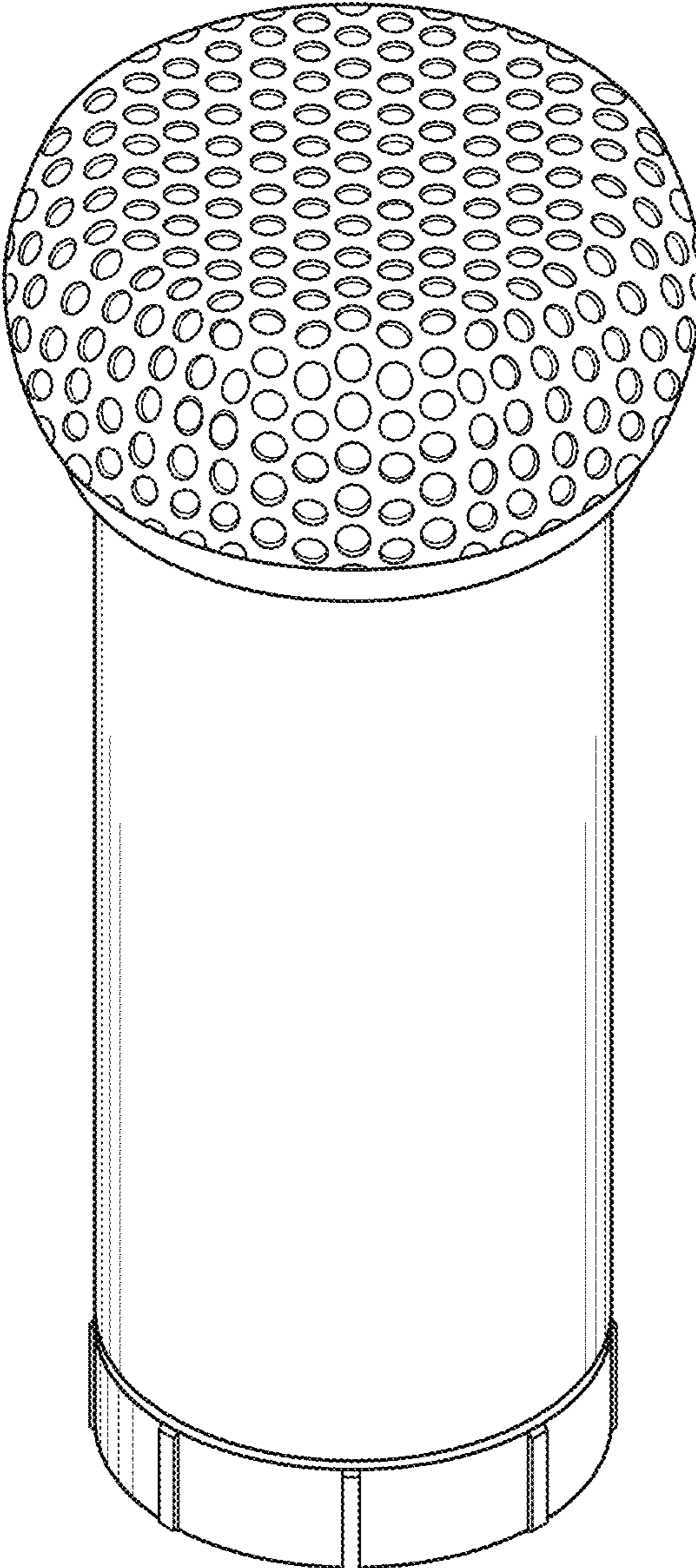


Fig. 1

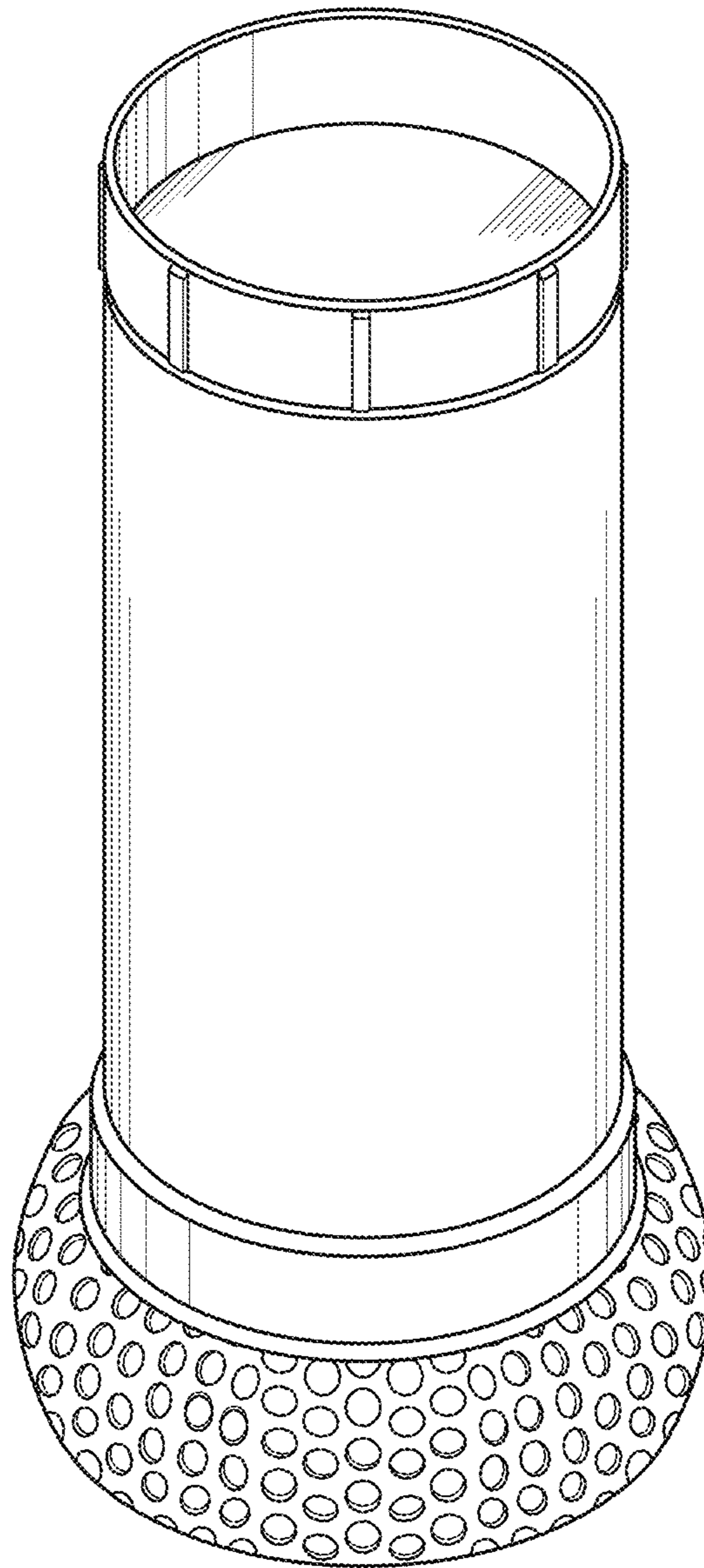


Fig. 2

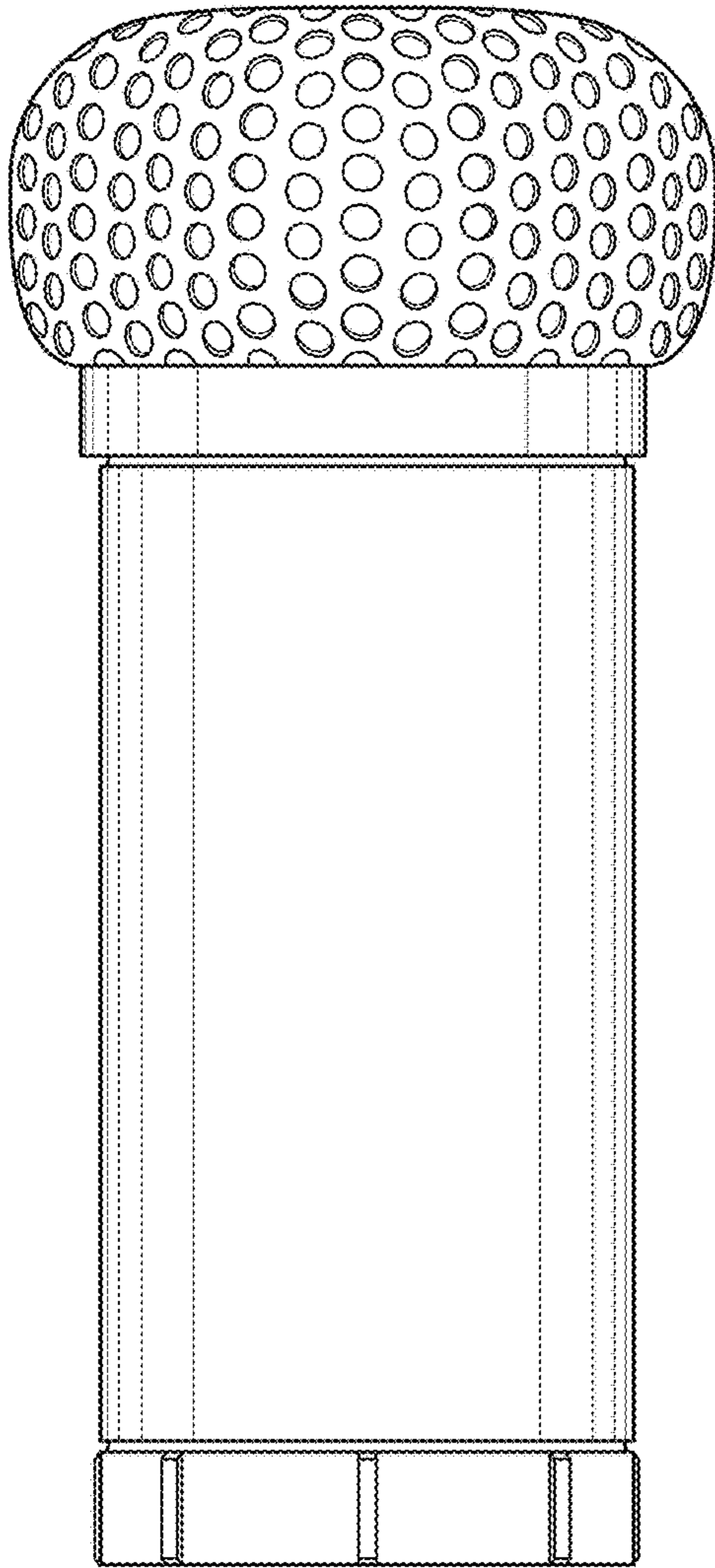


Fig. 3

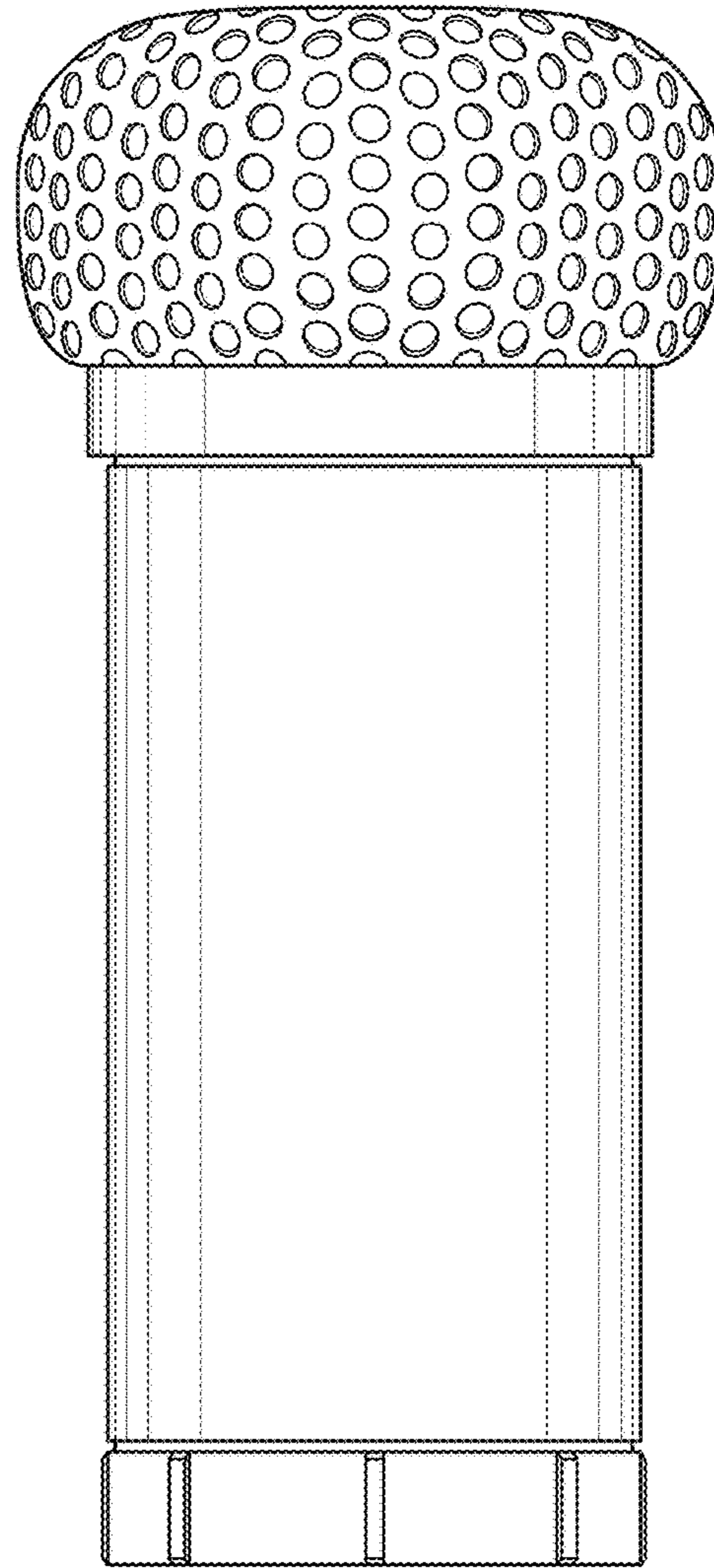


Fig. 4

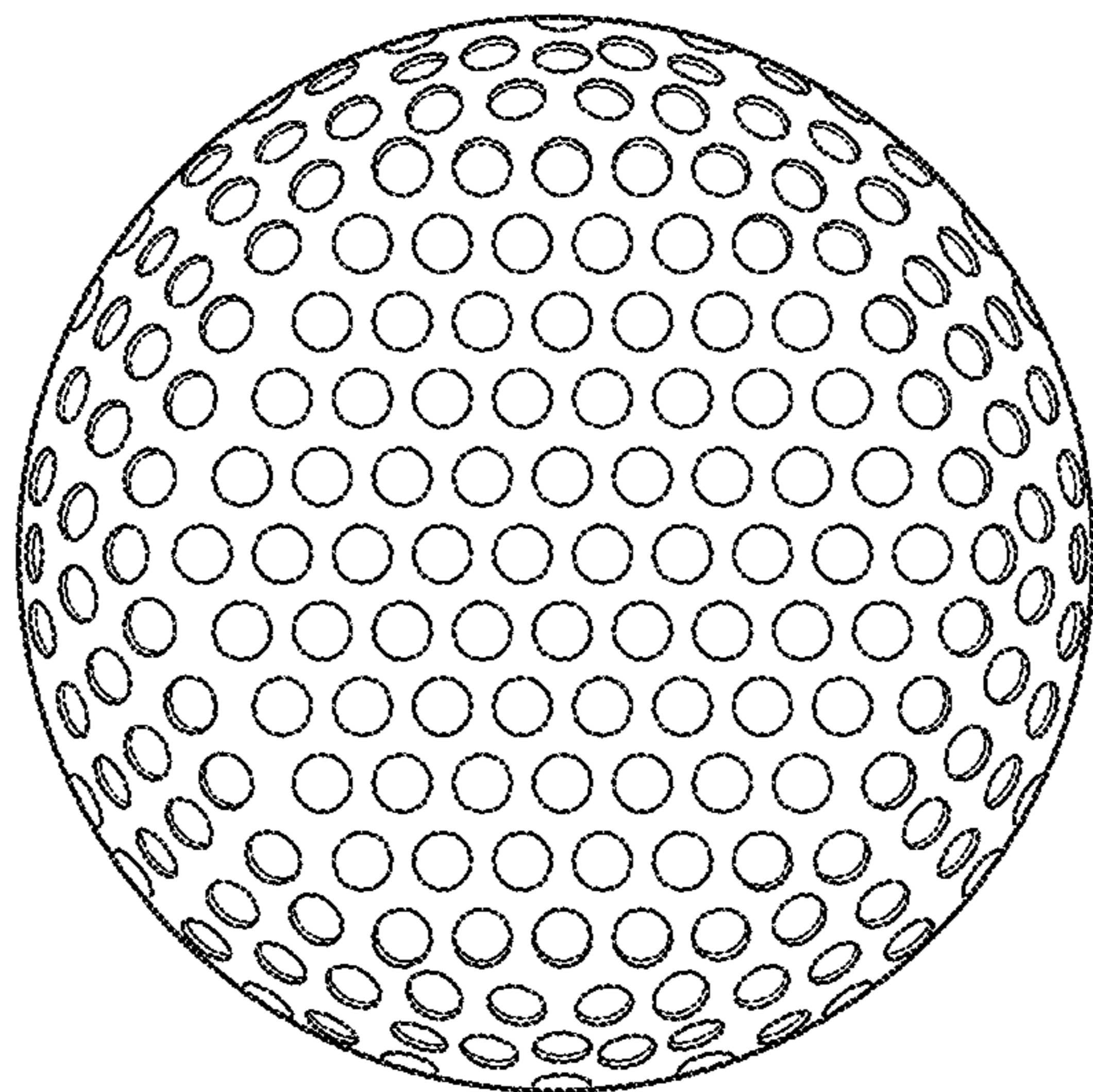


Fig. 5

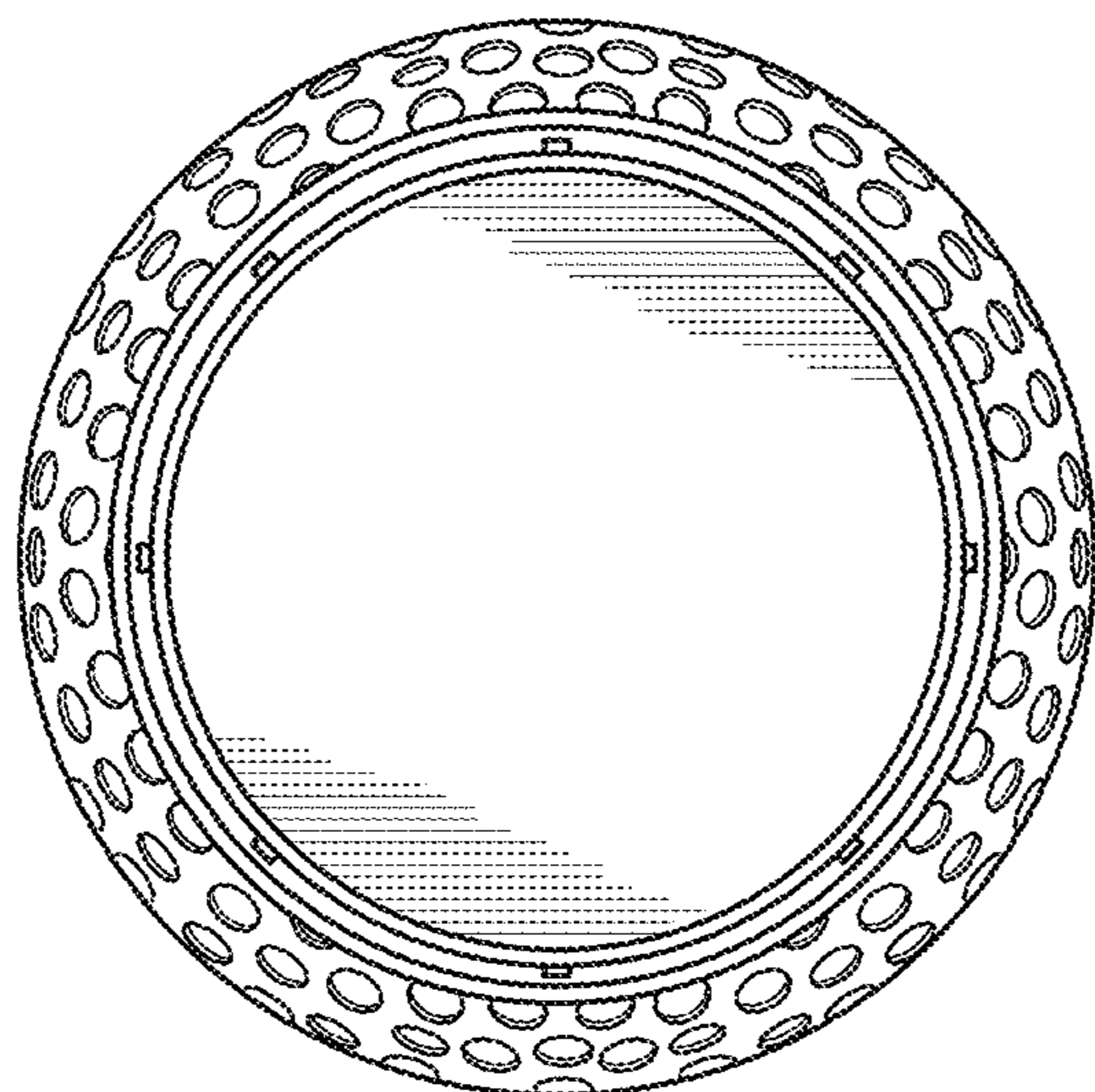


Fig. 6