



US00D825845S

(12) **United States Design Patent**  
**Dittmer et al.**

(10) **Patent No.:** **US D825,845 S**

(45) **Date of Patent:** **\*\* \*Aug. 14, 2018**

(54) **PERSONAL CARE PRODUCT CONTAINER**

(71) Applicant: **Access Business Group International LLC**, Ada, MI (US)

(72) Inventors: **Jay R. Dittmer**, Ada, MI (US); **Mark F. Mettler**, Spring Lake, MI (US); **Joe D. Doucet**, New York, NY (US)

(73) Assignee: **Access Business Group International LLC**, Ada, MI (US)

(\*) Notice: This patent is subject to a terminal disclaimer.

(\*\*) Term: **15 Years**

(21) Appl. No.: **29/564,992**

(22) Filed: **May 17, 2016**

**Related U.S. Application Data**

(62) Division of application No. 29/486,851, filed on Apr. 3, 2014, now Pat. No. Des. 760,087.

(51) **LOC (11) Cl.** ..... **28-01**

(52) **U.S. Cl.**  
USPC ..... **D28/4**; D9/558; D9/556

(58) **Field of Classification Search**  
USPC ..... D9/434–435, 444–445, 454, 516, 529, D9/549, 556, 558, 568, 575; D26/9–11, D26/22; D28/73, 76–77, 91  
CPC .. B65D 2251/0093; B65D 2543/00805; B65D 2543/0024; B65D 51/24; B65D 1/10  
See application file for complete search history.

(56) **References Cited**

**U.S. PATENT DOCUMENTS**

D90,001 S 5/1933 Vaughn  
D256,331 S 8/1980 Gindek  
D278,121 S 3/1985 Sussman

D280,141 S 8/1985 Holloway  
D283,454 S 4/1986 Holloway  
D427,427 S 7/2000 Davis  
D472,812 S 4/2003 Lerolle  
D473,974 S \* 4/2003 Fuller ..... D28/77  
D480,513 S \* 10/2003 Fuller ..... D28/77  
D483,273 S \* 12/2003 Lloyd ..... D9/549  
D522,367 S 6/2006 Bakic  
D534,433 S 1/2007 Chadfield  
D534,812 S 1/2007 Chadfield  
D539,153 S 3/2007 Marx  
D565,953 S 4/2008 Swint

(Continued)

*Primary Examiner* — Ian Simmons

*Assistant Examiner* — Keith P Frank

(74) *Attorney, Agent, or Firm* — Warner Norcross + Judd LLP

(57) **CLAIM**

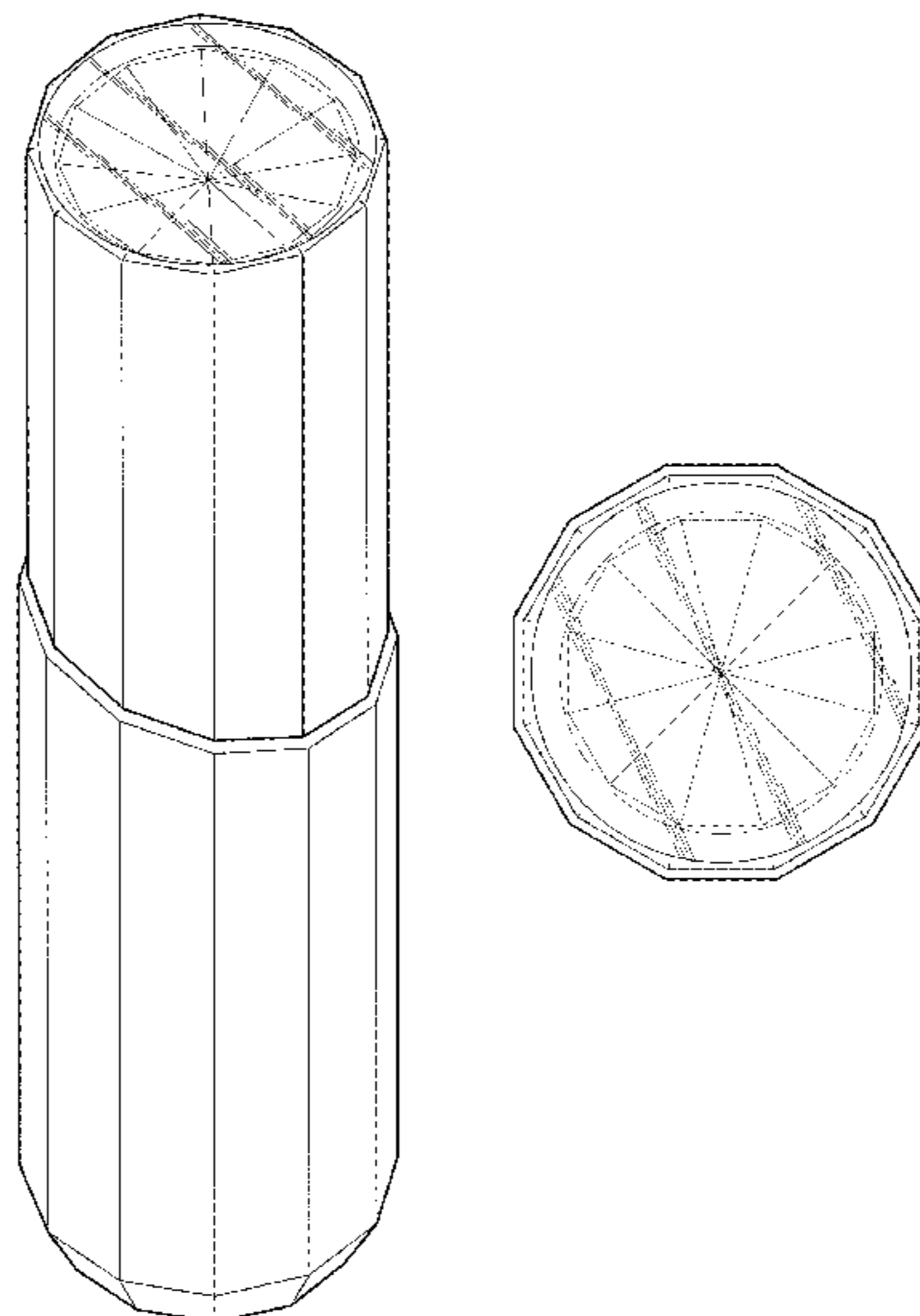
The ornamental design for a personal care product container, as shown and described.

**DESCRIPTION**

FIG. 1 is a perspective view of the personal care product container embodying the new design; FIG. 2 is a left side view thereof; FIG. 3 is a right side view thereof; FIG. 4 is a front view thereof; FIG. 5 is a rear view thereof; FIG. 6 is a top view thereof; FIG. 7 is a bottom view thereof; FIG. 8 is an enlarged view taken from the designation of 8 on FIG. 4; and, FIG. 9 is an enlarged view taken from the designation of 9 on FIG. 4.

The evenly broken lines are shown for the purpose of illustrating parts of the personal care product container that form no part of the claimed design. The dot-dash lines are shown for the purpose of identifying enlargement views and form no part of the claimed design.

**1 Claim, 6 Drawing Sheets**



(56)

References Cited

U.S. PATENT DOCUMENTS

D567,448	S	4/2008	Mascotte	
D580,597	S *	11/2008	Mascotte .....	D28/76
D583,253	S *	12/2008	Yamamoto .....	D9/687
D583,678	S	12/2008	Yamamoto	
D595,584	S	7/2009	Yamamoto	
D629,252	S	12/2010	Alviar	
D632,014	S *	2/2011	Lee .....	D28/76
D632,017	S	2/2011	Lee	
D649,471	S *	11/2011	Guglielmo .....	D9/559
D650,690	S *	12/2011	Guglielmo .....	D9/559
8,083,427	B2	12/2011	Maddy	
D661,198	S *	6/2012	Duecker .....	D9/556
D662,827	S *	7/2012	Watabe .....	D9/453
D670,858	S *	11/2012	Fakhouri .....	D27/189
D692,184	S *	10/2013	DeMarco .....	D28/88
D693,226	S	11/2013	Paschoal	
D703,060	S	4/2014	Okulla	
D703,384	S	4/2014	DeMarco	
D704,066	S	5/2014	Paschoal	
D728,371	S	5/2015	Behar	
D736,643	S	8/2015	Mettler	
D739,083	S *	9/2015	Ho .....	D28/85
D739,762	S *	9/2015	Nagata .....	D9/572
D746,139	S *	12/2015	Watabe .....	D9/452
D755,634	S *	5/2016	Dittmer .....	D9/452
D758,650	S *	6/2016	Wu .....	D27/101
D759,416	S *	6/2016	Kim .....	D7/306
D760,087	S *	6/2016	Dittmer .....	D9/516
D764,294	S *	8/2016	Marotti .....	D9/521
D769,067	S *	10/2016	Cheung .....	D7/399
D769,722	S *	10/2016	Oymak .....	D9/529
D777,041	S *	1/2017	Hui .....	D9/687
2008/0152418	A1 *	6/2008	Maddy .....	A45D 40/00 401/61

\* cited by examiner

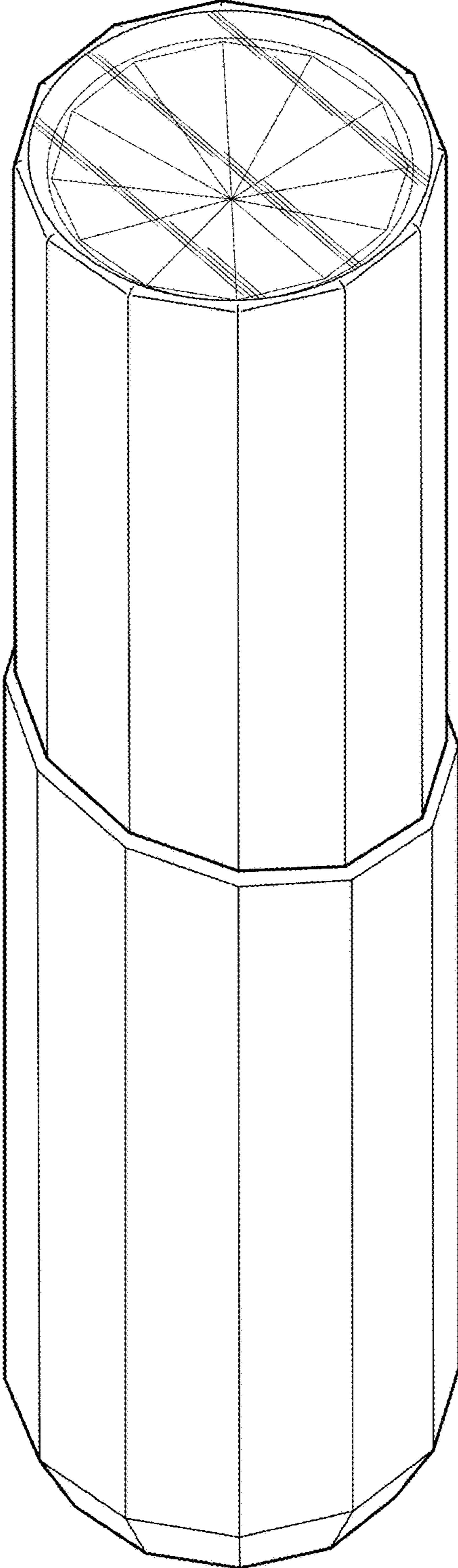


Fig. 1

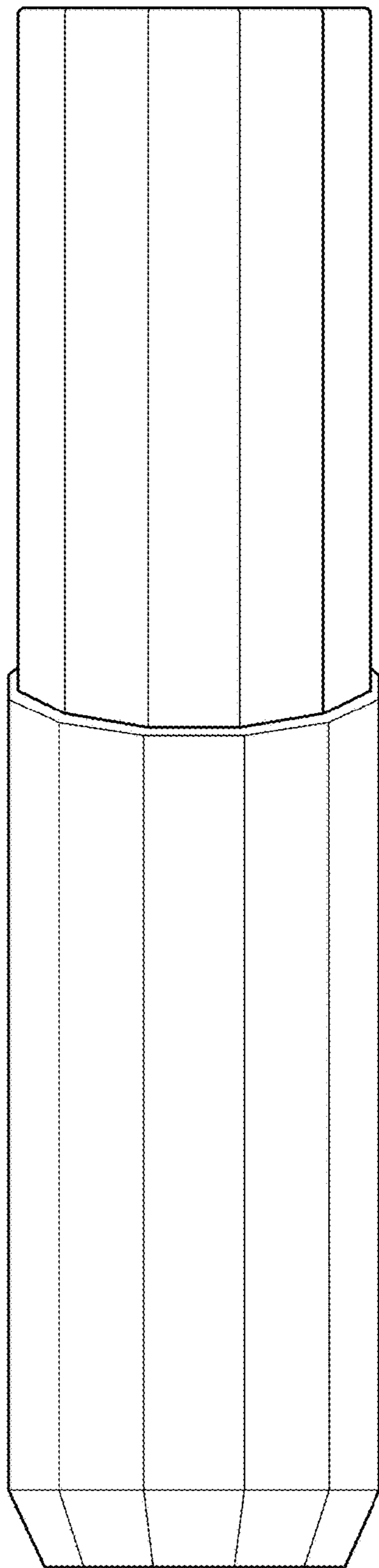


Fig. 2

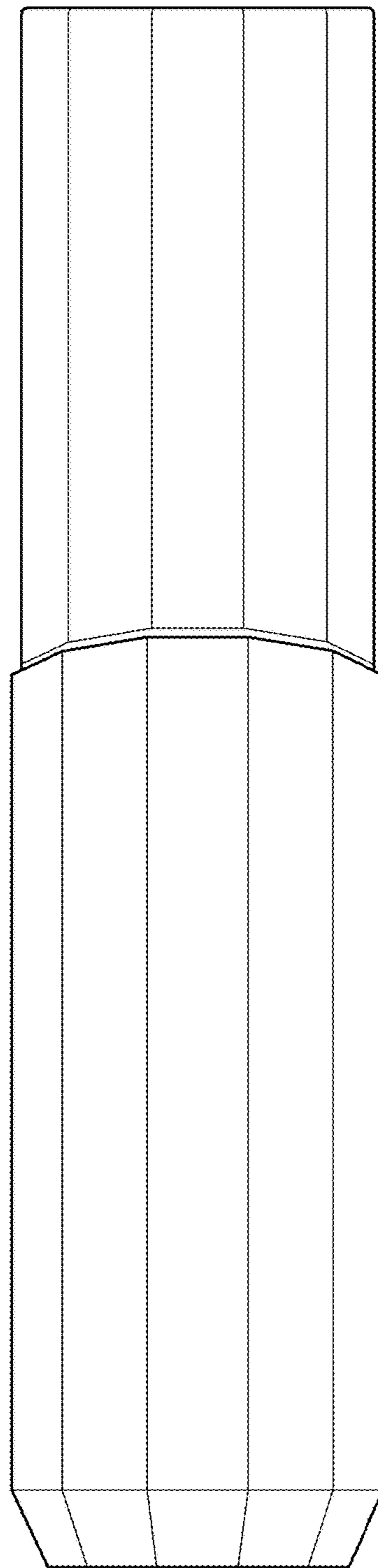


Fig. 3

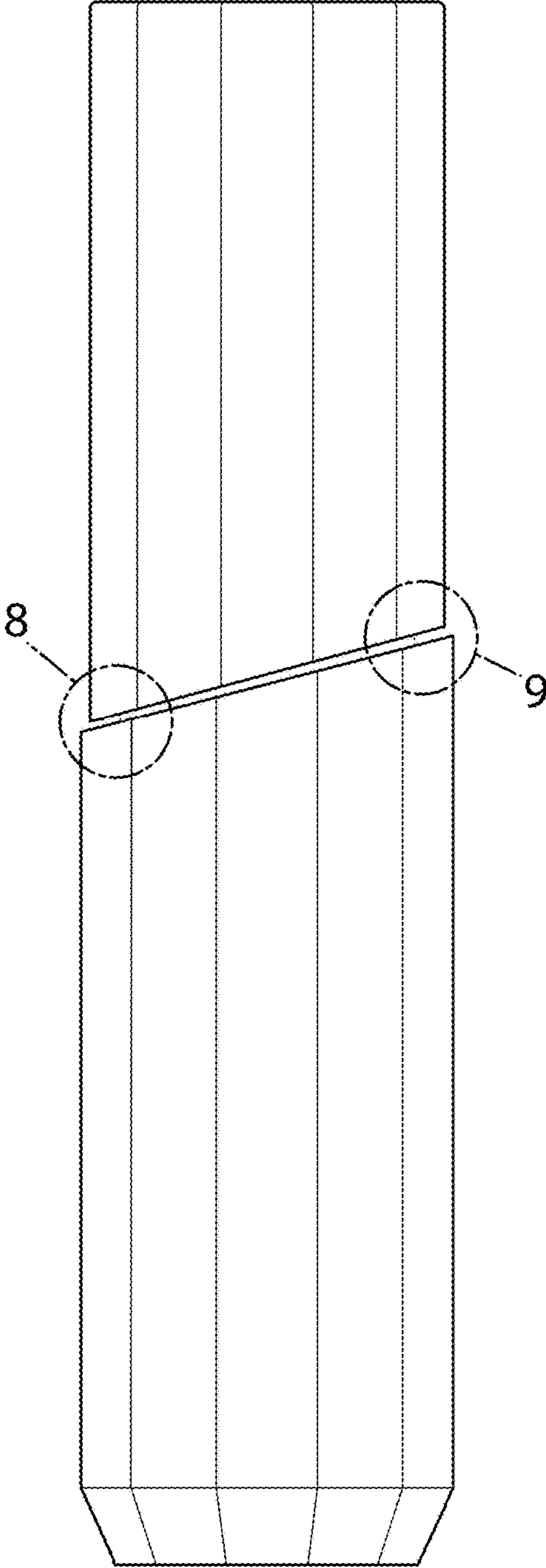


Fig. 4

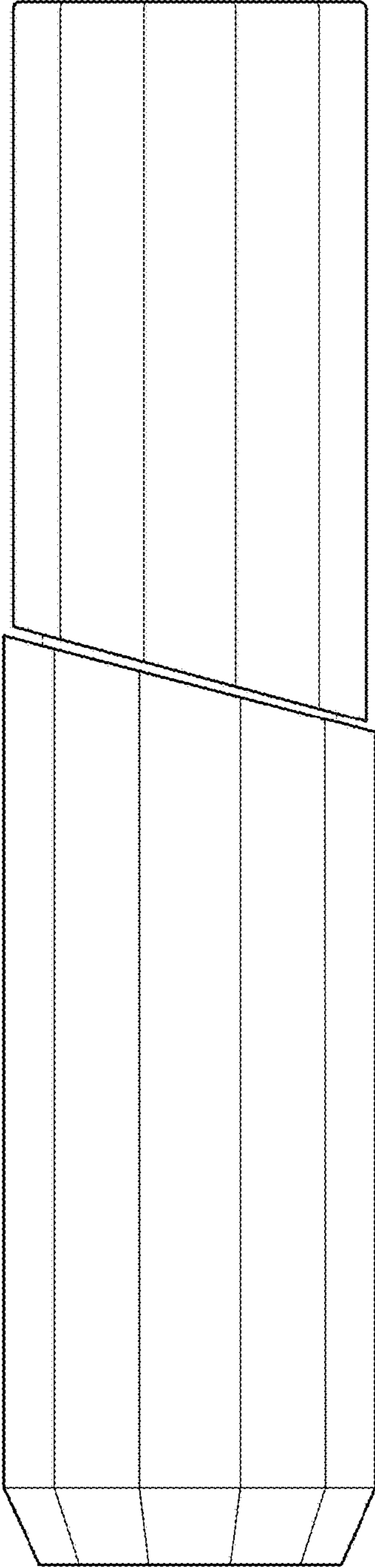


Fig. 5

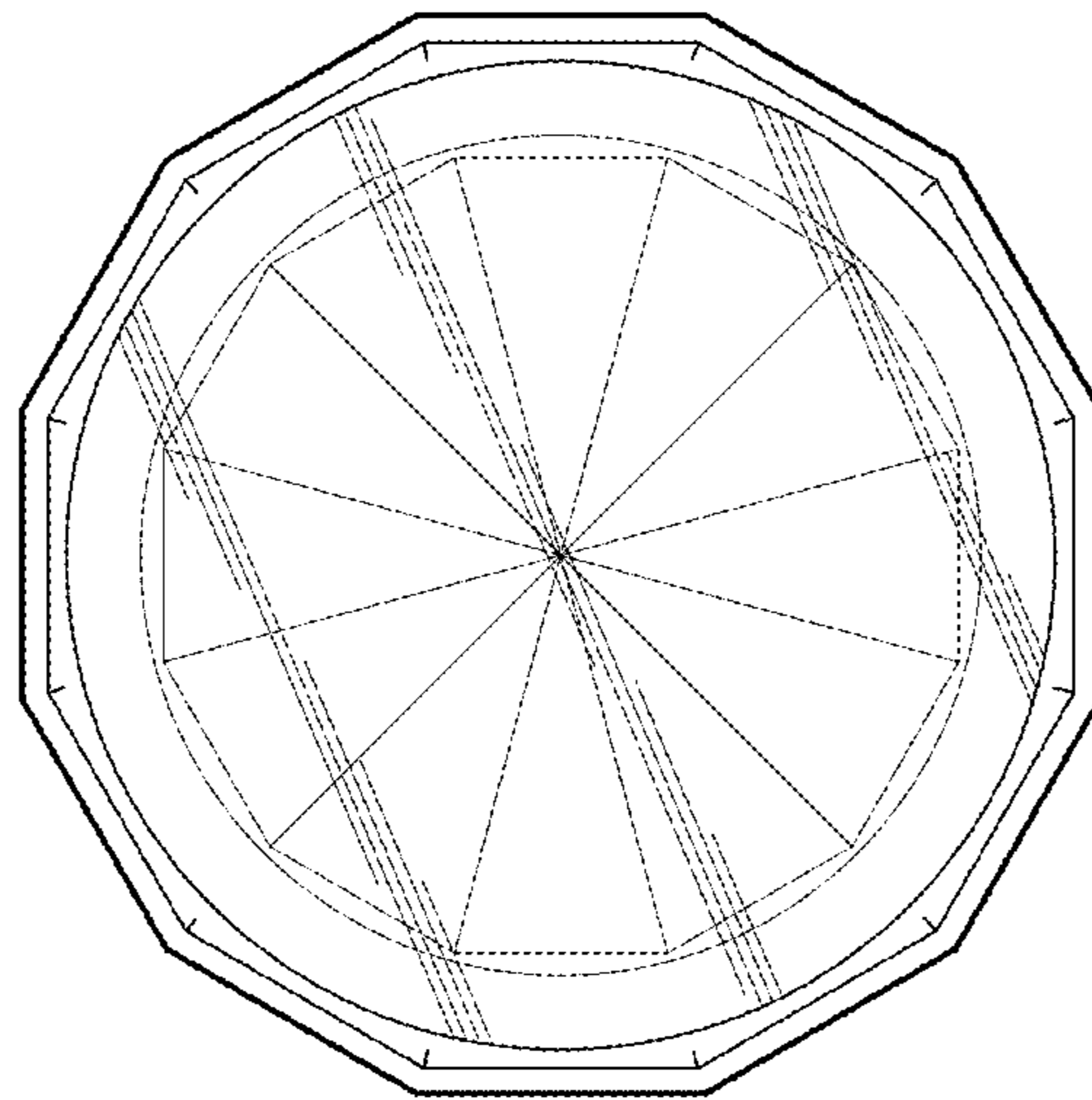


Fig. 6

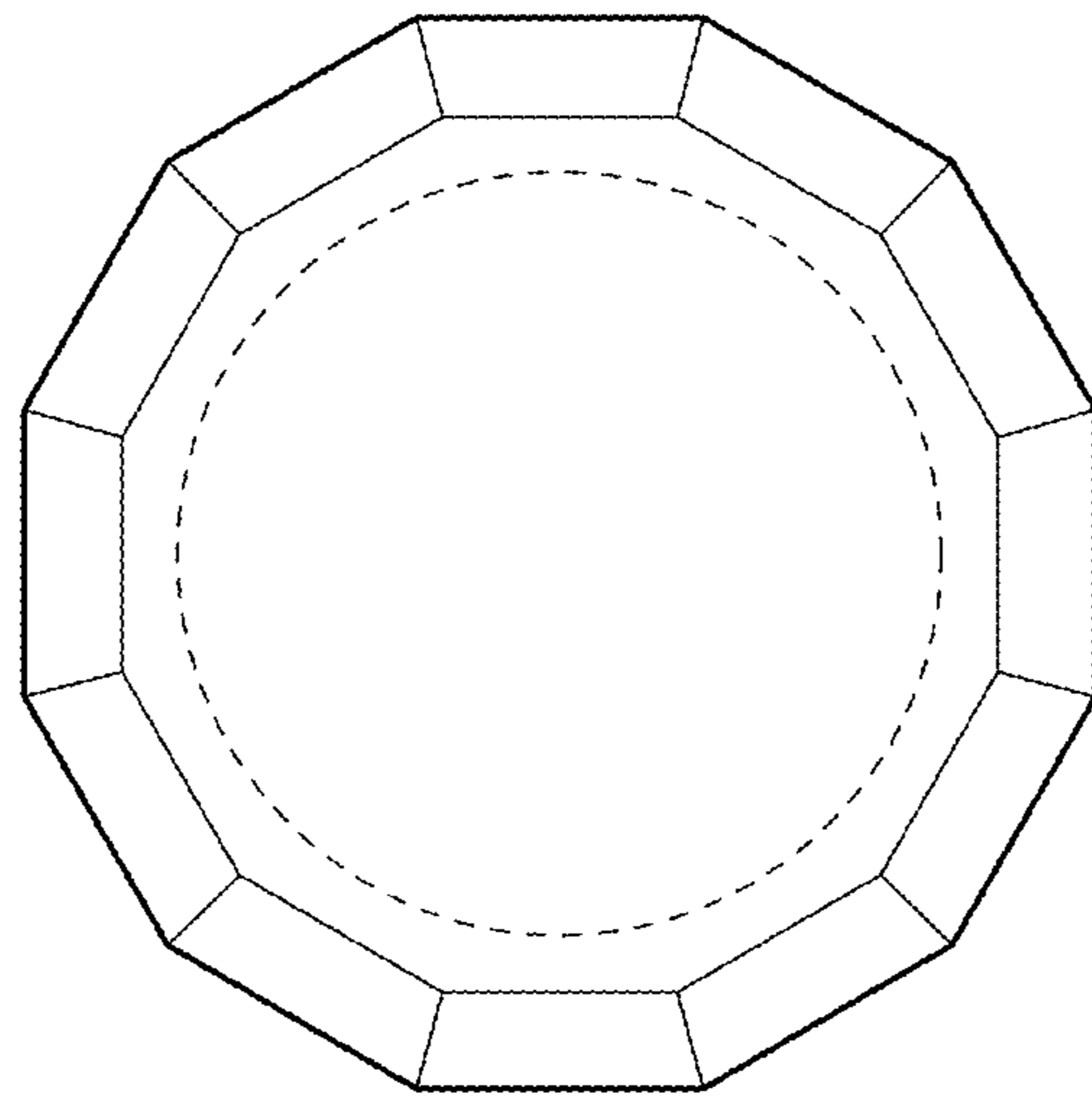


Fig. 7

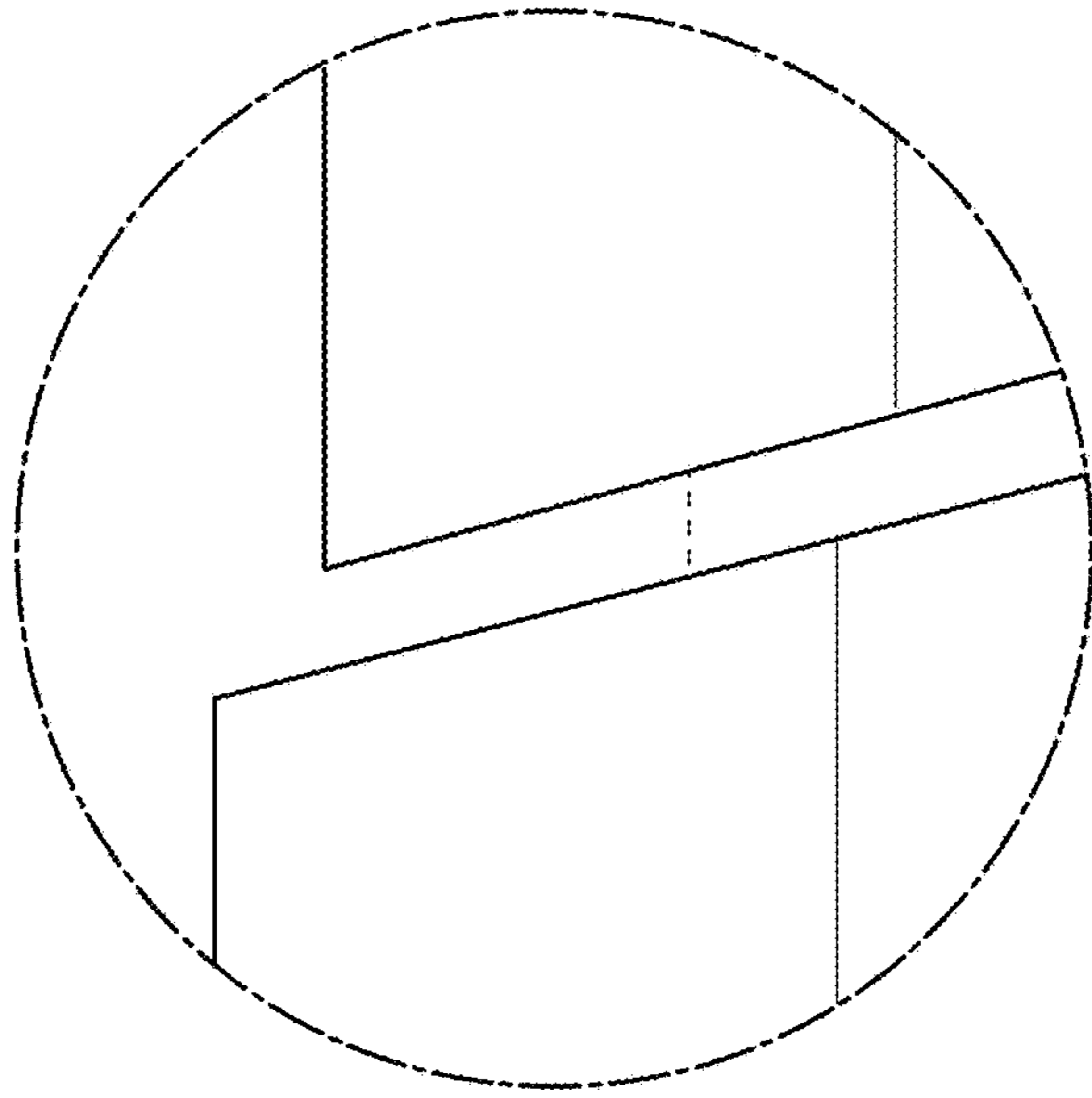


Fig. 8

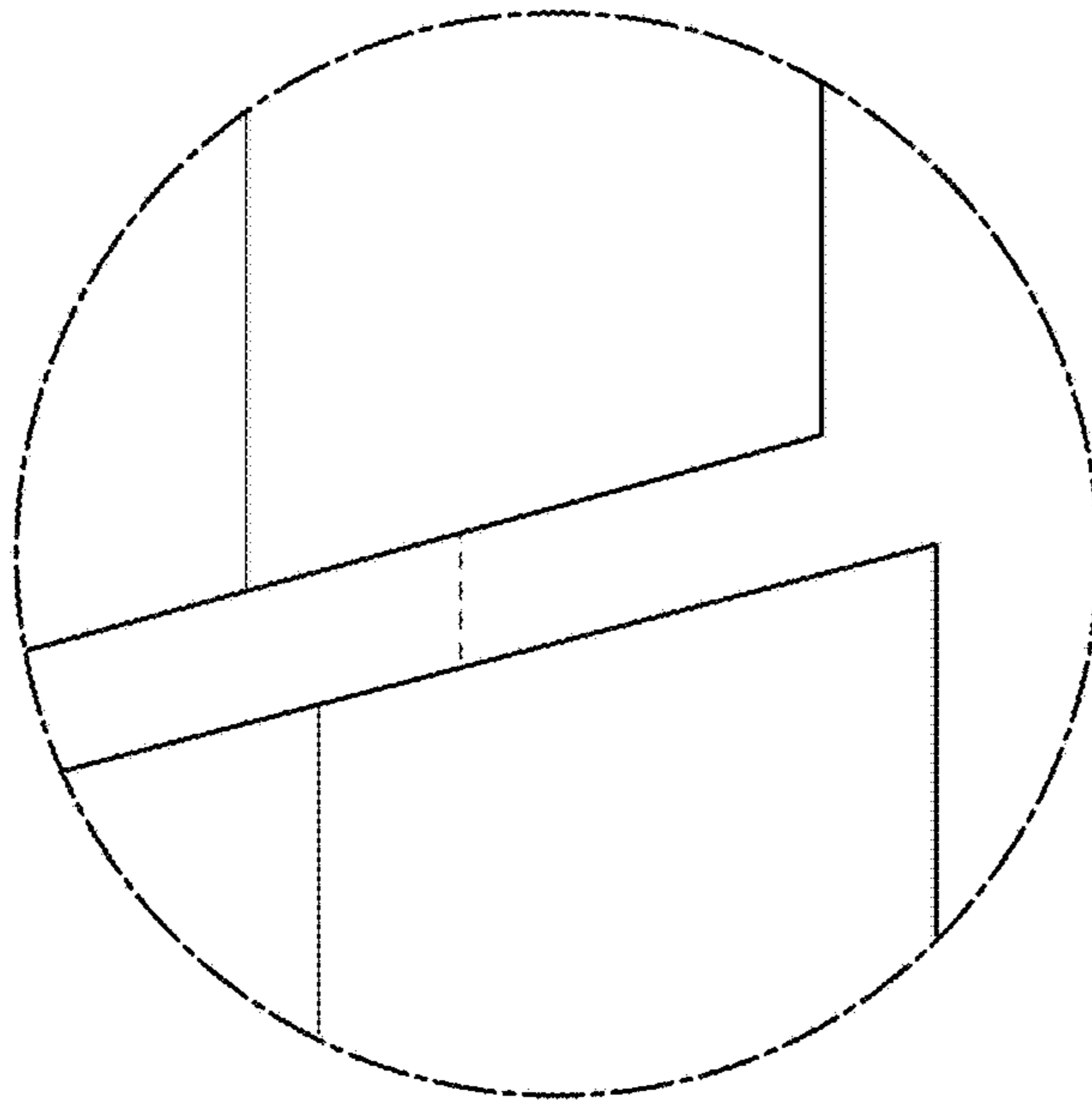


Fig. 9