



US00D825844S

(12) **United States Design Patent** (10) **Patent No.:** **US D825,844 S**  
**Verleur et al.** (45) **Date of Patent:** **\*\* Aug. 14, 2018**

(54) **CARTRIDGE FOR A VAPORIZER**  
 (71) Applicant: **VMR Products LLC**, Miami, FL (US)  
 (72) Inventors: **Jan Andries Verleur**, Miami, FL (US);  
**Dan Recio**, Miami Beach, FL (US);  
**Zhiyuan Liu**, Miami, FL (US); **Hans Verleur**, El Dorado, CA (US)  
 (73) Assignee: **VMR PRODUCTS LLC**, Miami, FL (US)

(\*\*) Term: **15 Years**

(21) Appl. No.: **29/605,164**

(22) Filed: **May 24, 2017**

(51) **LOC (11) Cl.** ..... **27-02**

(52) **U.S. Cl.**  
USPC ..... **D27/167**

(58) **Field of Classification Search**  
 USPC ..... D27/100, 101, 106, 108, 162, 163, 165,  
 D27/167, 169, 172, 174, 175, 183,  
 D27/186–190, 193, 195; D24/110, 110.5;  
 D14/218; D23/360; 131/273, 274, 191,  
 131/330, 329, 328; 128/202.21, 203.12,  
 128/203.13  
 CPC .... A24F 47/002; A24F 47/004; A24F 47/006;  
 A24F 47/008; A61M 15/06  
 See application file for complete search history.

(56) **References Cited**

**U.S. PATENT DOCUMENTS**

D693,053 S \* 11/2013 Chen ..... D27/101  
 D694,468 S \* 11/2013 Chen ..... D27/101

D720,094 S \* 12/2014 Alima ..... D27/101  
 D720,095 S \* 12/2014 Alima ..... D27/101  
 D751,249 S \* 3/2016 Chen ..... D27/101  
 D752,278 S \* 3/2016 Verleur ..... D13/103  
 D752,280 S \* 3/2016 Verleur ..... D27/167  
 D764,703 S \* 8/2016 Liu ..... D27/101  
 D769,519 S \* 10/2016 Chen ..... D27/101  
 D784,610 S \* 4/2017 Bosch ..... D27/101  
 D800,383 S \* 10/2017 Verleur ..... D27/167  
 D802,839 S \* 11/2017 Scott ..... D27/194  
 D809,190 S \* 1/2018 Schuler ..... D27/101  
 D813,447 S \* 3/2018 Watson ..... D27/162

\* cited by examiner

*Primary Examiner* — Susan Bennett Hattan

*Assistant Examiner* — Rebecca Tsehaye

(74) *Attorney, Agent, or Firm* — Brinks Gilson & Lione

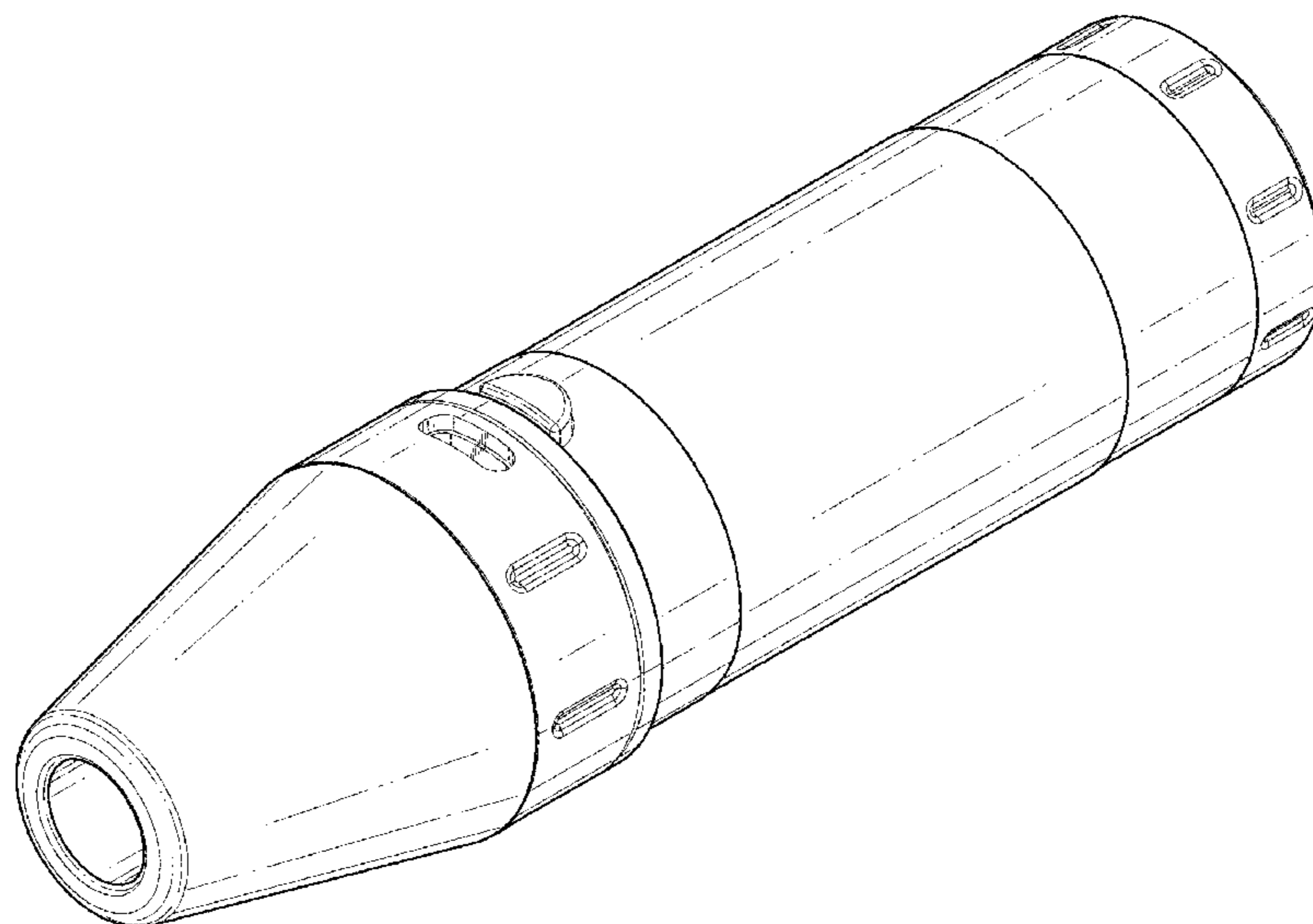
(57) **CLAIM**

The ornamental design for a cartridge for a vaporizer, as shown and described.

**DESCRIPTION**

FIG. 1 is a first perspective view of a cartridge for a vaporizer showing our new design;  
 FIG. 2 is a second perspective view thereof;  
 FIG. 3 is a front elevational view thereof;  
 FIG. 4 is a rear elevational view thereof;  
 FIG. 5 is a top plan view thereof;  
 FIG. 6 is a bottom plan view thereof;  
 FIG. 7 is a right side elevational view thereof; and,  
 FIG. 8 is a left side elevational view thereof.  
 The broken lines in the drawings depict portions of the cartridge for a vaporizer that form no part of the claimed design.

**1 Claim, 7 Drawing Sheets**



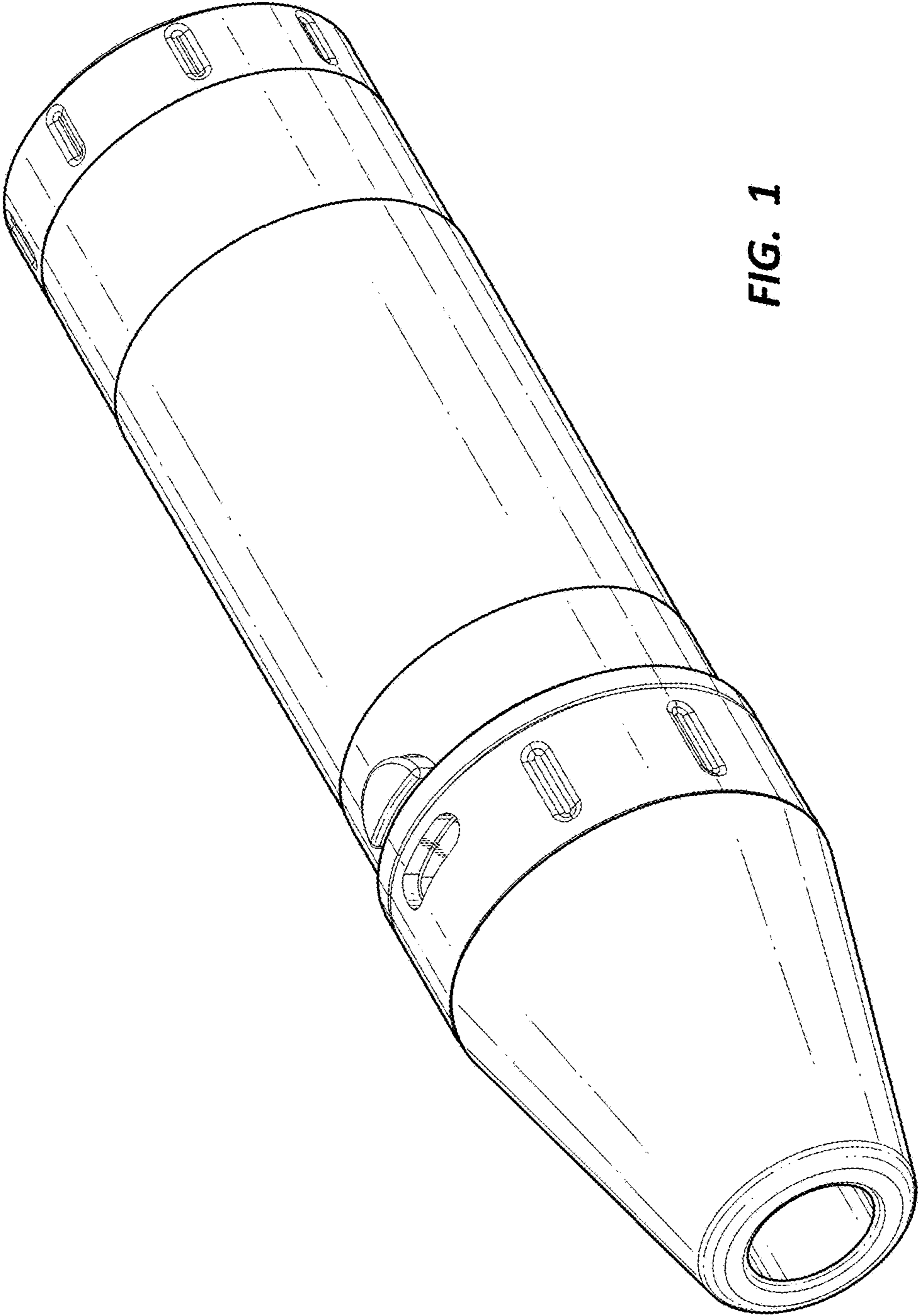


FIG. 1

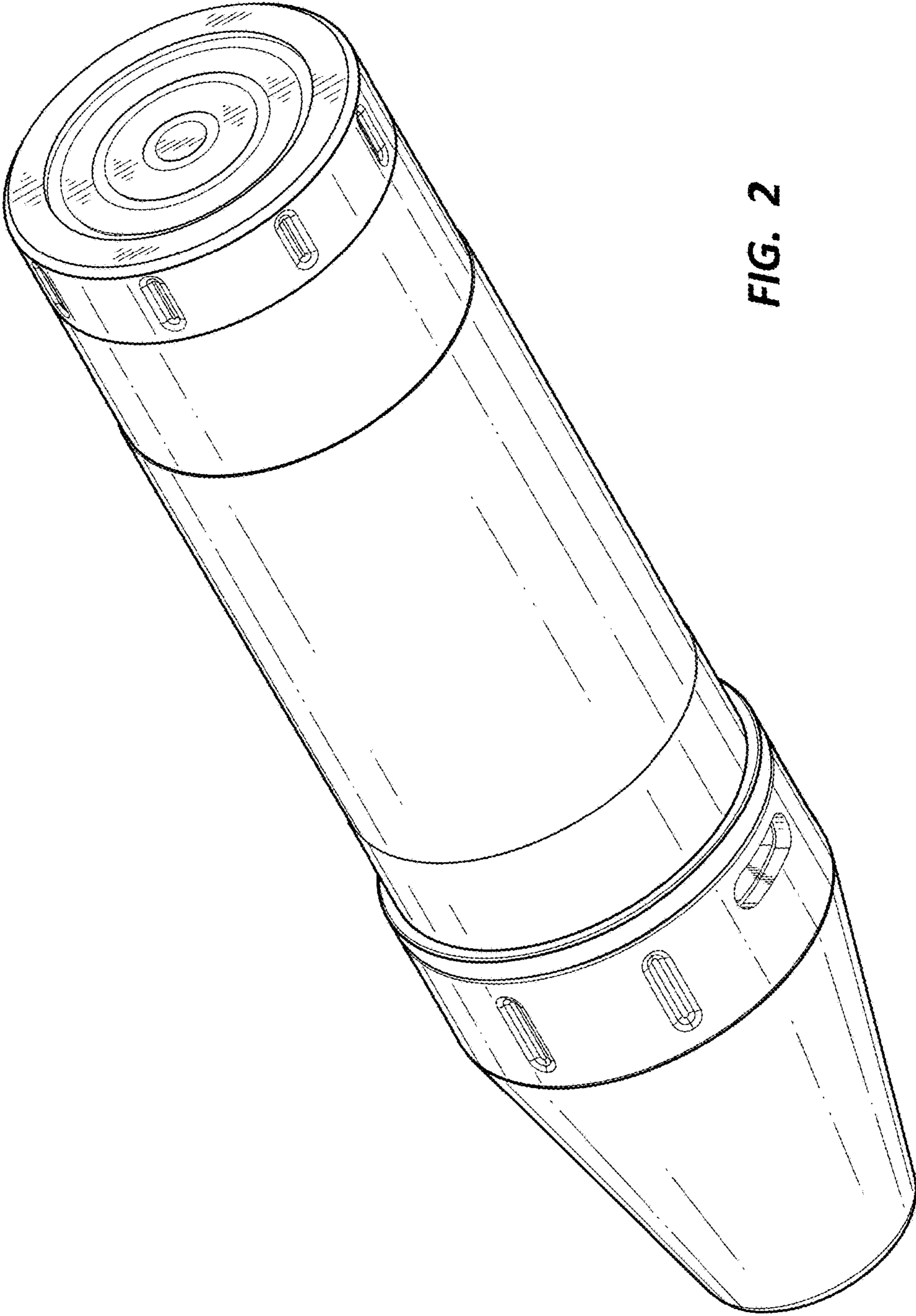


FIG. 2

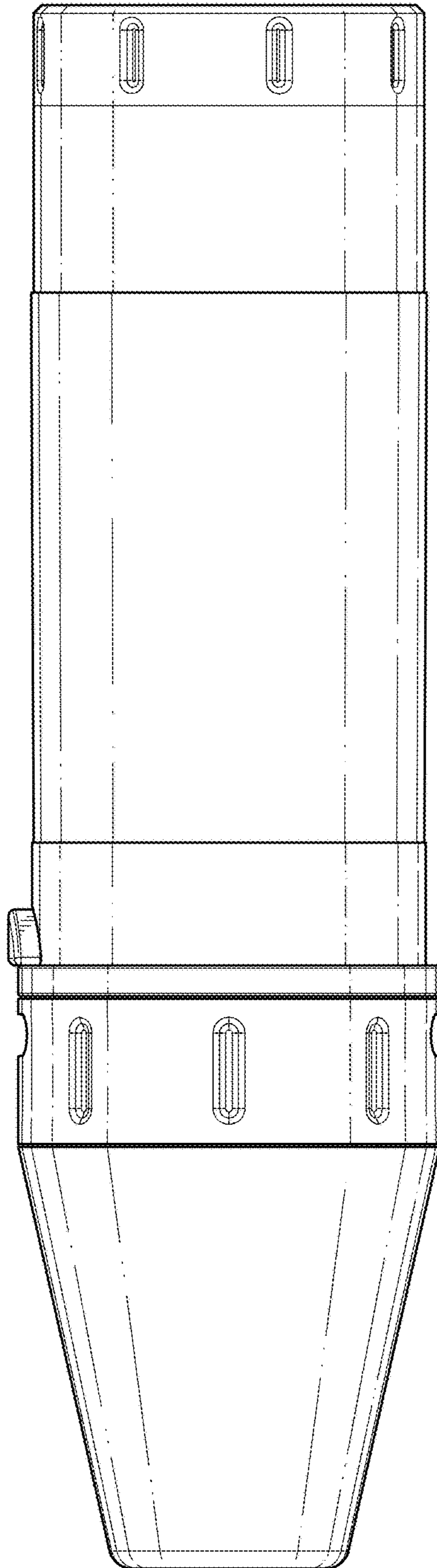


FIG. 3

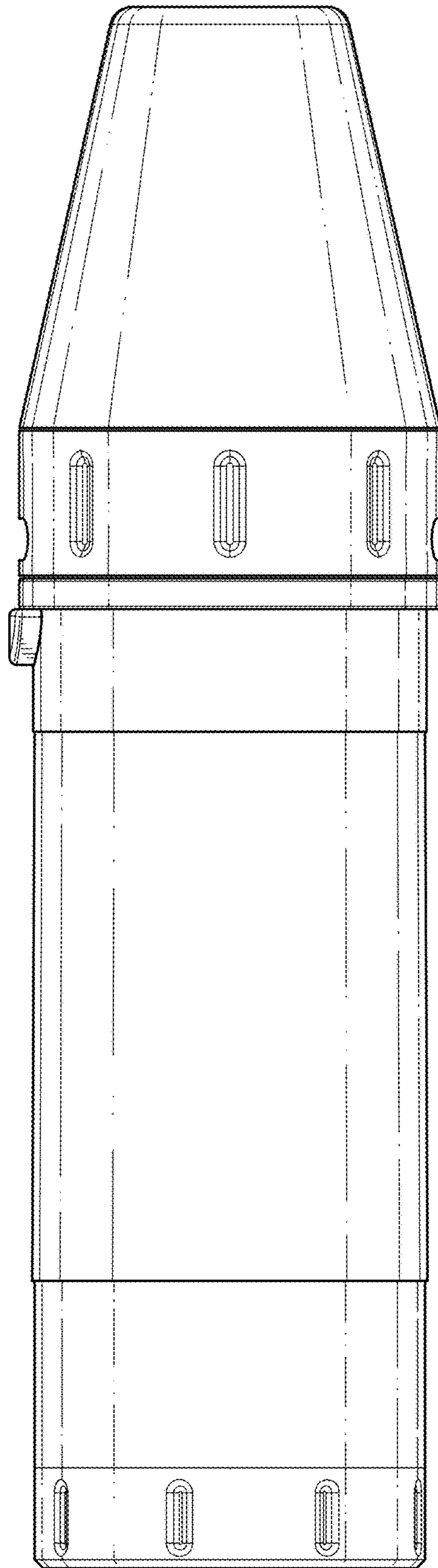


FIG. 4

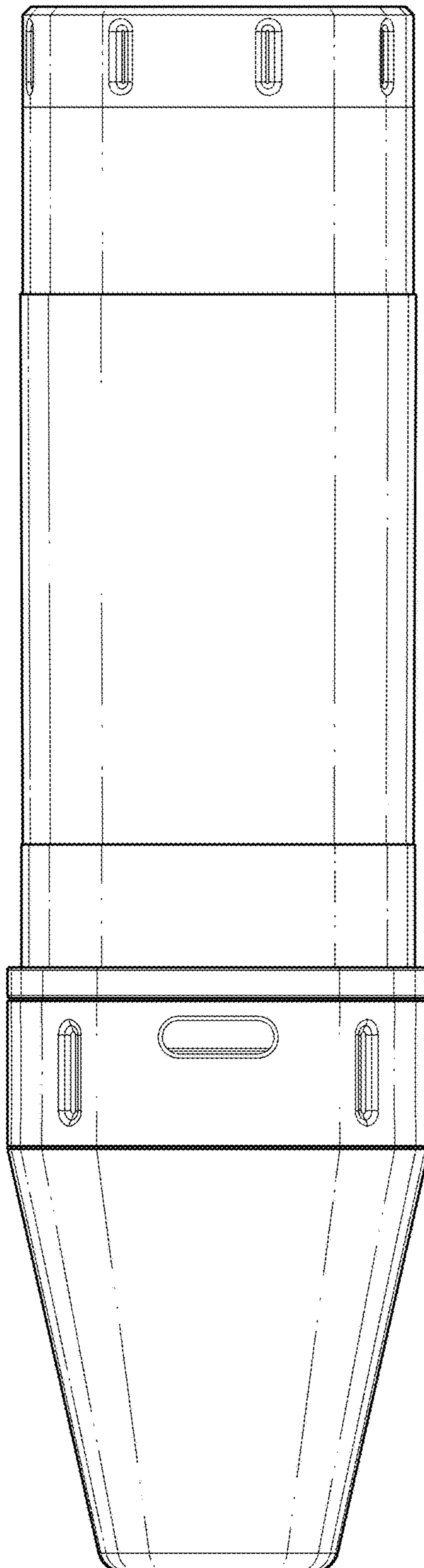


FIG. 5

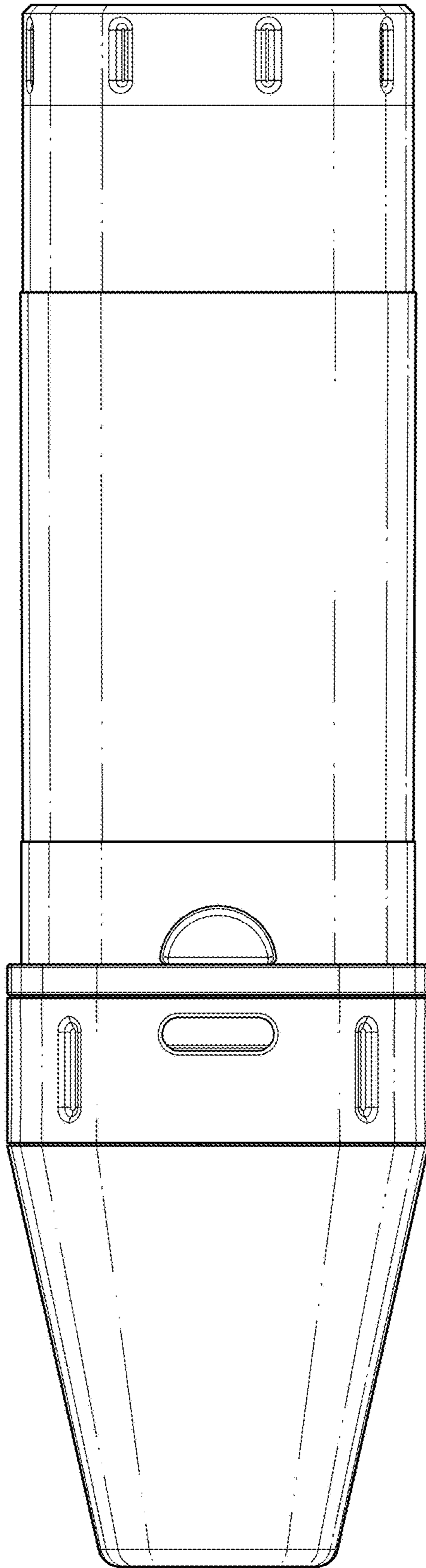


FIG. 6

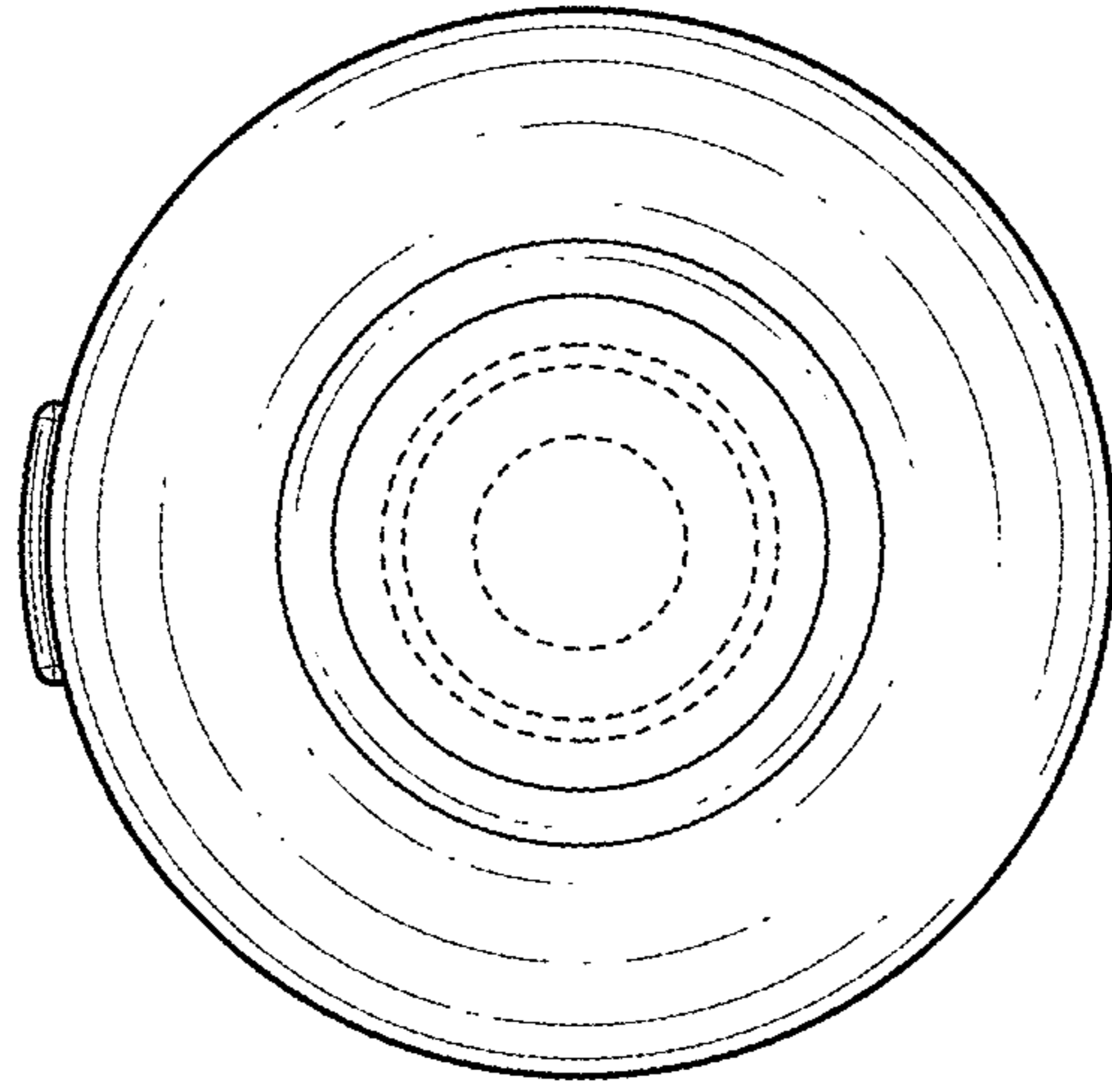


FIG. 8

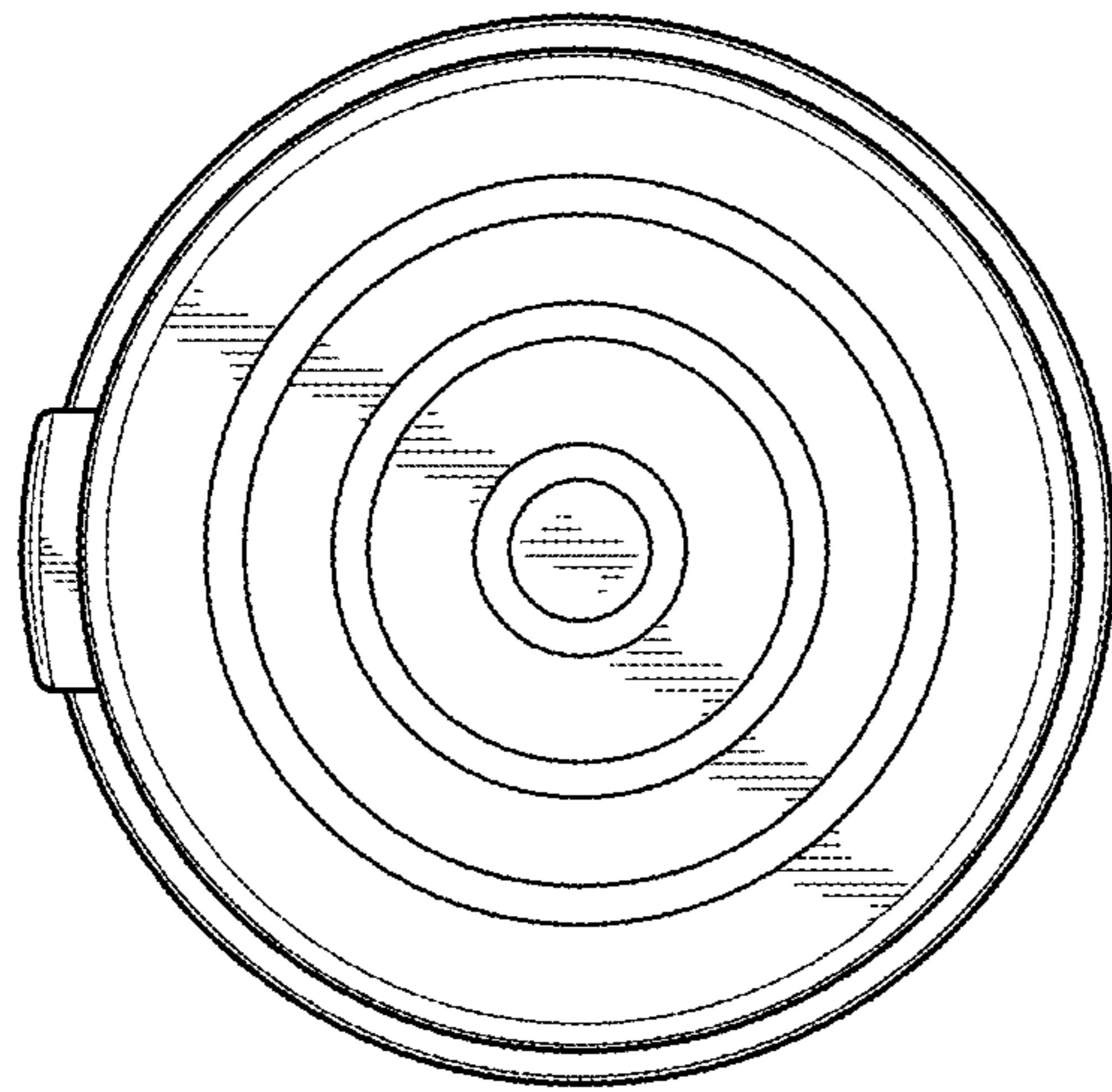


FIG. 7