



US00D825843S

(12) **United States Design Patent**
Hoch et al.

(10) **Patent No.:** **US D825,843 S**
(45) **Date of Patent:** **** Aug. 14, 2018**

- (54) **SMOKING PIPE**
- (71) Applicant: **EYCE LLC**, Bend, OR (US)
- (72) Inventors: **Charles V. Hoch**, Bend, OR (US);
Bruce A. Hoch, Bend, OR (US)
- (73) Assignee: **Eyce LLC**, Bend, OR (US)
- (**) Term: **15 Years**
- (21) Appl. No.: **29/628,956**
- (22) Filed: **Dec. 8, 2017**
- (51) **LOC (11) Cl.** **27-02**
- (52) **U.S. Cl.**
USPC **D27/163**
- (58) **Field of Classification Search**
USPC D27/100, 101, 162, 163, 172, 183, 184,
D27/185, 186, 187, 188, 189, 193, 194
CPC A24F 1/30; A24F 5/04; A24F 9/00
See application file for complete search history.

- D249,282 S 9/1978 Nielsen
 - 4,111,213 A 9/1978 Shanto
 - D249,896 S 10/1978 Graham
 - 4,164,949 A 8/1979 Diven
 - 4,171,703 A 10/1979 Locke
 - D258,012 S * 1/1981 Murphy D27/162
 - D258,013 S 1/1981 Murphy
- (Continued)

FOREIGN PATENT DOCUMENTS

CN 304355618 11/2017

OTHER PUBLICATIONS

Purr Glass Honeycomb Sidecar Dab Rig / Kings's Pipe Online Headshop; Dec. 7, 2017 <https://www.kings-pipe.com/purr-honeycomb-sidecar-dab-rig-p/wp-325.htm>, 5 pages.
(Continued)

Primary Examiner — Brandon M Rosati
Assistant Examiner — Marissa J Cash
(74) *Attorney, Agent, or Firm* — Dorsey & Whitney LLP

(56) **References Cited**

U.S. PATENT DOCUMENTS

- D2,505 S 3/1866 Harry
- 214,586 A 4/1879 Riedel
- 895,626 A 8/1908 Geltz
- 1,967,438 A 7/1951 Louis
- D217,520 S 5/1970 Gordon
- D231,640 S * 5/1974 Kahler D27/162
- D233,863 S 12/1974 Keidl
- 3,881,499 A 5/1975 Mcfadden
- 3,882,875 A 5/1975 Frost
- D240,541 S * 7/1976 Rupert D27/101
- D240,938 S * 8/1976 Kahler D27/162
- 4,031,905 A 6/1977 Dunn
- D246,391 S 11/1977 Lefkow
- D246,604 S * 12/1977 Frost D27/163
- D247,255 S 2/1978 Frost
- D248,671 S 7/1978 Graham
- D249,070 S 8/1978 Evans
- D249,281 S 9/1978 Graham

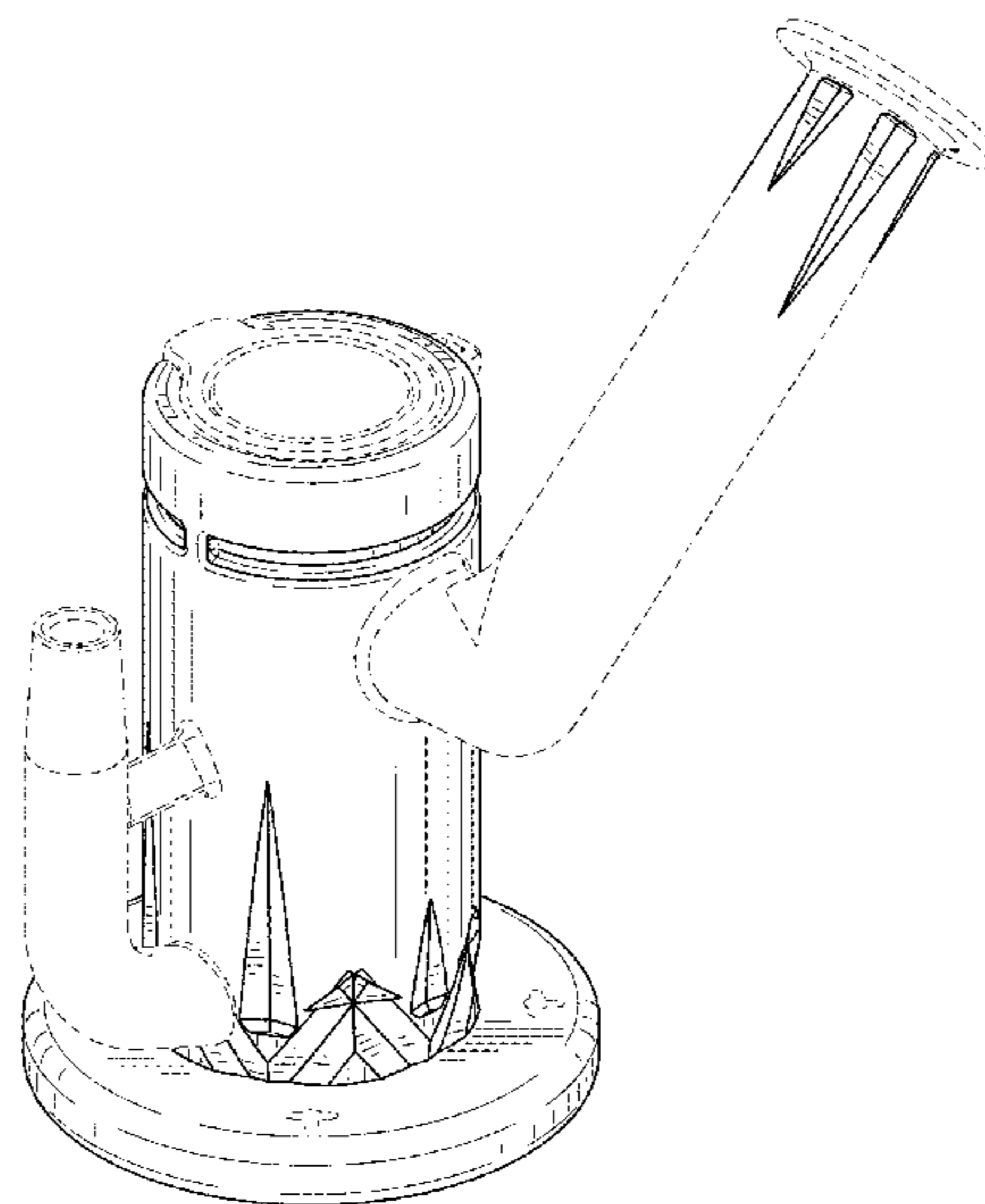
(57) **CLAIM**

We claim the ornamental design for a smoking pipe, as shown and described.

DESCRIPTION

FIG. 1 is an isometric view of a smoking pipe in accordance with the present disclosure;
FIG. 2 is a front view of the smoking pipe of FIG. 1;
FIG. 3 is a rear view of the smoking pipe of FIG. 1;
FIG. 4 is a left view of the smoking pipe of FIG. 1;
FIG. 5 is a right view of the smoking pipe of FIG. 1;
FIG. 6 is a top view of the smoking pipe of FIG. 1; and,
FIG. 7 is a bottom view of the smoking pipe of FIG. 1.
The features shown in broken lines in the figures form no part of the claimed design.

1 Claim, 7 Drawing Sheets



(56)

References Cited

U.S. PATENT DOCUMENTS

4,253,475 A 3/1981 Schreiber
 D261,439 S * 10/1981 Sher D27/162
 D261,689 S 11/1981 Weglein
 D261,690 S * 11/1981 Murray, Jr. D27/163
 D262,144 S * 12/1981 Sher D27/162
 D265,595 S * 7/1982 Galanter D27/162
 D265,766 S * 8/1982 Sher D27/162
 D273,713 S 5/1984 Sher
 D273,714 S 5/1984 Sher
 D273,715 S 5/1984 Sher
 4,788,988 A 12/1988 Titus
 D342,805 S 12/1993 Heine
 D350,411 S * 9/1994 Heine D27/162
 D358,227 S 5/1995 Heine
 D358,228 S 5/1995 Heine
 D368,324 S * 3/1996 Heine D27/162
 D371,632 S 7/1996 Truelove
 D376,033 S 11/1996 Heine
 D387,476 S * 12/1997 Chambers D27/162
 5,908,031 A 6/1999 Clark
 RE36,254 E 7/1999 Newman
 5,967,147 A 10/1999 Newman
 5,993,748 A 11/1999 Wheeler
 RE36,523 E * 1/2000 Newman A24F 1/30
 D27/162
 6,067,993 A 5/2000 Mahoney, III
 D443,103 S * 5/2001 Neason D27/162
 D443,950 S * 6/2001 Neason D27/162
 D547,489 S * 7/2007 Kassir D27/162
 D548,398 S * 8/2007 Chaoui D27/162
 D554,797 S * 11/2007 Kassir D27/162
 D558,370 S * 12/2007 Mohammed D26/53
 D558,919 S * 1/2008 Kassir D27/162
 D561,388 S * 2/2008 Kassir D27/162
 D584,853 S * 1/2009 Kassir D27/162
 D638,984 S * 5/2011 Gould D27/163
 8,490,629 B1 * 7/2013 Shenassa A24F 1/28
 131/194
 D722,720 S 2/2015 Garbo
 8,973,585 B2 * 3/2015 Goldstein B01D 53/14
 131/173
 D728,854 S * 5/2015 Siniakov D27/162
 D736,644 S * 8/2015 Hamilton D27/162
 D740,681 S * 10/2015 Hamilton D9/524
 D742,587 S * 11/2015 Masri D27/162
 D754,914 S * 4/2016 Helou D27/162
 D754,915 S * 4/2016 Helou D27/162
 D755,439 S * 5/2016 Helou D27/162
 D757,355 S * 5/2016 al Arja D27/162
 D806,945 S * 1/2018 Lepper D27/163
 2006/0086364 A1 4/2006 Liu
 2006/0207621 A1 * 9/2006 Shraiber A24B 13/00
 131/348
 2013/0032159 A1 * 2/2013 Capuano A24F 1/30
 131/329
 2013/0104738 A1 5/2013 Goldstein
 2014/0130812 A1 5/2014 Kling
 2014/0326256 A1 * 11/2014 McKay A24F 1/30
 131/173
 2015/0068540 A1 * 3/2015 Hoch A24F 1/32
 131/328
 2015/0181931 A1 * 7/2015 Hoover A24F 9/14
 131/260
 2015/0257443 A1 * 9/2015 Rado A24F 47/00
 392/390
 2015/0342250 A1 * 12/2015 Hoch A24F 1/30
 131/328
 2016/0295911 A1 10/2016 Kalousek
 2017/0056607 A1 * 3/2017 Jones A61M 11/003
 2017/0099872 A1 * 4/2017 Reimann A24F 1/30
 2017/0143035 A1 * 5/2017 Pucci A24F 1/30
 2017/0361040 A1 * 12/2017 Trzemieski A61M 15/06
 2018/0027872 A1 * 2/2018 Galaviz, Jr. A24F 7/02

OTHER PUBLICATIONS

Dankstop—Honeycomb to Turbine Perc Sidecar Water Pipe/ Dr. Piece; Dec. 7, 2017 <http://piecedr.com/shop/dab-rigs-and-oil-rigs/dankstop-honeycomb-to-turbine-perc-sidecar-water-pipe/>, 2 pages.
 Pink Turbine + Sidecar + Stemless + Black Rim water pipe rig / 420 Glass City; Dec. 7, 2017 http://www.420glasscity.com/Pink-Turbine-Sidecar-Stemless-Black-Rim-water-pipe-rig_p_224.html, 3 pages.
 2018 Hot Sell Sidecar Glass Bong Water Pipe Smoking Pipe Water Pipe Bongs With Frtt . . . / DHGate.com; Dec. 7, 2017 <https://www.dhgate.com/product/hot-sell-glass-bong-glass-smoking-pipe-with/205698028.html>, 3 pages.
 AMG Red Eye Design Showerhead Sidecar Oil Rig for sale / King's Pipe; Dec. 7, 2017 <https://www.kings-pipe.com/AMG-red-eye-showerhead-sidecar-oil-rig-p/wp-196.htm>, 6 pages.
 Glass SideCar WP1895 Water Pipes / GogoPipes.com; Dec. 7, 2017 <http://www.gogopipes.com/sidecar-water-pipes-wp1895.html>, 4 pages.
 2018 22cm Tall Mobius Matrix Sidecar Glass Bubbler Pipe Bubbler Glass Bong Vase Per . . . / DHGate.com; Dec. 7, 2017 <https://www.dhgate.com/product/22cm-tall-mobius-matrix-sidecar-glass-bubbler/385497852.html> 3 pages.
 Honeycomb to Tornado Perc Sidecar Glass Water Pipe / King's Pipe Online Headshop; Dec. 7, 2017 <https://www.kings-pipe.com/honeycomb-tornado-sidecar-water-pipe-p/wp-242.htm>, 7 pages.
 Wholesale Hookahs at \$22.92, Get 2015 New Mobius Matrix Sidecar Glass Bong Birdca . . . / DHGate.com; Dec. 8, 2017 <https://www.dhgate.com/product/2015-new-mobius-matrix-sidecar-glass-bong/264836611.html>, 4 pages.
 Turbine Sidecar Waterpipe by CLV / Badass Glass; Dec. 7, 2017 <https://www.badassglass.com/turbine-sidecar-waterpipe.html>, 2 pages.
 2018 Mini Hookah Glass Bongs Sidecar Design Snowman Bong Dab Rigs 14.5 Male Join . . . / DHGate.com; Dec. 7, 2017 <https://www.dhgate.com/product/mini-hookah-glass-bongs-sidecar-design-snowman/406309950.html#s1-5-1;disc13599369937>, 4 pages.
 420 Science “Kargo 2” Sidecar Bubbler / Smoke Cartel Dec. 8, 2017 <https://www.smokecartel.com/products/420-science-kargo-2-sidecar-bubbler>, 7 pages.
 China Sidecar rigs mini glass tobacco bubbler bong smoking matrix Perc water pipe oil . . . / Global Sources; Dec. 7, 2017 <http://www.globalsources.com/gsol/1/Bong/p/sm/1149651685.htm#1149651685>, 3 pages.
 11" Dual Honeycomb Elbow Sidecar Water Pipe / 4 Aces Wholesale; Dec. 7, 2017 <https://4aceswholesale.com/11-Dual-Honeycomb-Elbow-Sidecar-Water-Pipe>, 2 pages.
 New Mobius Matrix Sidecar Glass Bong Birdcage Perc Glass Pipe Thick Glass Smoking . . . / DHGate.com; Dec. 7, 2017 <https://www.dhgate.com/store/product/new-mobius-matrix-sidecar-glass-bong-birdcage/377298496.html>, 2 pages.
 Medium Stemless GoG Sidecar Water Pipe with Showerhead Perc—WP1041/ SPS Wholesale; Dec. 7, 2017 <https://spswholesale.com/medium-stemless-gog-sidecar-water-pipe-with-showerhead-perc-wp1041/>, 3 pages.
 Dab Bong with Matrix Perc—Sidecar Bubbler Rig / Hasmoke Online Headshop; Dec. 7, 2017 <https://www.hasmoke.com/Mobius-glass-pipe-with-matrix-perc-18-mm-joint-s157.html>, 5 pages.
 Goo Roo Designs Sidecar Rig / Uncle Ikes Glass & Goods; Dec. 7, 2017 <https://uncleikesglassandgoods.com/product/goo-roo-designs-sidecar-rig-2/>, 4 pages.
 Wicked Sands Sidecar Bubbler / Oz Bongs; Dec. 7, 2017 <https://ozbongs.com.au/wicked-sands-sidecar-bubbler.html>, 2 pages.
 7" Stemless + Honeycomb + Showerhead + Sidecar water pipe/ rig / 420 Glass City; Dec. 7, 2017 http://www.420glasscity.com/7-STEMLESS-HONEYCOMB-SHOWERHEAD-SIDECAR-water-pipe-rig_p_300.html, 3 pages.
 Upgraded Mobius Matrix sidecar oil rigs glass bongs water pipes birdcage perc 9" inches g . . . / One Smoker; Dec. 7, 2017 <http://www.funny-smoke.com/bongs-water-pipes/upgraded-mo>

(56)

References Cited

OTHER PUBLICATIONS

bius-matrix-sidecar-oil-rigs-glass-bongs-water-pipes-birdcage-perc-9inches-glass-smoking-pipes-ash-catcher-19mm-p48337.html, 2 pages.

Honeycomb to Turbine Sidecar Dab Rig / CloudCulture; Dec. 7, 2017 <https://cloudculturestore.com/products/honeycomb-to-turbine-perc-bent-neck-bubbler-rig?variant=12146112134>, 6 pages.

10" Tall Gilded Glass Pink Slyme Concentrate Water Pipe w/ Shower-Head to Vortex Perc / Headshop Hub; Dec. 7, 2017 <https://headshophub.com/10-tall-gilded-glass-pink-slyme-concentrate-water-pipe-w-shower-head-to-vortex-perc>, 3 pages.

Sidecar Rigs Sprinkler Perc Bongs Glass Bongs Glass Smoking Pipe Perc Flow Bong Da . . . / DHGate Alpine Glass; Dec. 7, 2017 <https://www.dhgate.com/store/product/sidecar-rigs-sprinkler-perc-bongs-glass-bongs/391352990.html>, 2 pages.

Wicked Sands Glass Honeycomb Sidecar Hash Bubbler #bongs #wicksands #vapor #ha . . . / Aqua Lab; Dec. 7, 2017 <https://www.pinterest.com/pin/107242034852412438/>, 3 pages.

Wizardtooth Glass—Sidecar / Flameworked; Dec. 7, 2017 <https://www.flameworked.com/product/wizardtooth-glass-sidecar/>, 3 pages.

Borodirect Sandblasted Stemline Perc Rig with Sidecar Mouthpiece / Cloud Chasers; Dec. 8, 2017 <https://www.cloudchasers.com/products/borodirect-sandblasted-stemline-perc-rig-with-sidecar-mouthpiece>, 7 pages.

Purr 14mm Concentrate Full Sidecar Honeycomb—Clear / Windship Trading; Dec. 8, 2017 <http://www.windshiptrading.com/sale-purr-14mm-concentrate-full-sidecar-honeycomb-clear/>, 3 pages.

Sidecar Water Pipe—T Perc to Turbine Perc / BadAssGlass.com—YouTube; Dec. 8, 2017 <https://www.youtube.com/watch?v=kUIBBhikgzQ>, 2 pages.

Hitman Glass E-nail Sidecar Rig / HellaWicked Inc.; Dec. 8, 2017 <https://www.hellawicked.com/hitman-glass-e-nail-sidecar-rig>, 2 pages.

Empire Glassworks Hootie Owl Vapor Bong / Grasscity Dec. 11, 2017 https://www.grasscity.com/us_en/empire-glassworks-hootie-owl-vapor-bong.html, 6 pages.

2018 Glass Oil Rigs with 4mm Quartz Banger Nail Thick Glass Bongs Male Joint 14.5mm Bubbler Dab Rig; Dec. 11, 2017 <https://www.dhgate.com/product/toro-glass-oil-rigs-with-4mm-quartz-banger/384573278.html#s1-0-1b;srp|0418288305>, 3 pages.

JM Flow Sidecar rigs Sprinkler perc bongs glass bong glass smoking pipe perc flow bong dab oil rig tornado perc water pipes percolator; Dec. 11, 2017 <https://www.dhgate.com/store/product/2016-new-sprinkler-perc-bongs-glass-bongs/386444370.html>, 2 pages.

AEON Glass by Jhanpixel / p. 18/ FC Vaporizer Review Form, FuckCombustion; Dec. 11, 2017 <http://fuckcombustion.com/threads/aeon-glass-by-jhanpixel.7673/page-18>, 19 pages.

Clear 14mm Mini Sidecar Dab Rig/Wicked Sands Glass/Glass & Other Smoking Device . . . ; Explore Sand Glass, Dab Rig, and More!; Dec. 11, 2017 <https://www.pinterest.com/Din/686728643149634849/>, 6 pages.

China Tall Mobius Matrix Sidecar Glass Bong from Jinhua Manufacturer: Yiwu Hao Ke Smoking Supplies Co., Ltd.; Dec. 11, 2017 <http://smokingdogo.manufacturer.globalsources.com/si/6008851944093/pdtl/Bong/1146785450/Tall-Mobius-Matrix-sidecar-glass-bong.htm>, 3 pages.

WP-0174 6" Stemless + Barrel Showerhead + Sidecar Water Pipe/ rig; Dec. 11, 2017 https://www.usglobalimports.com/product_p/wp-0174.htm, 5 pages.

Cobalt Sprinkler Dab Rig; Dec. 11, 2017 <https://cloudculturestore.com/products/cobalt-sprinkler-vapor-riq>, 6 pages.

Crystall Ball to Pillar Perc Sidecar Bong—Toker Supply; Dec. 11, 2017 <https://www.tokersupply.com/products/crystal-ball-to-pillar-perc-sidecar-bong>, 3 pages.

Crystal Ball to Pillar Perc Sidecar Bong—Stash Lab Technologies; Dec. 11, 2017 <https://www.stashlabtechnologies.com/products/dankstop-crystal-ball-to-pillar-perc-sidecar-bong>, 5 pages.

* cited by examiner

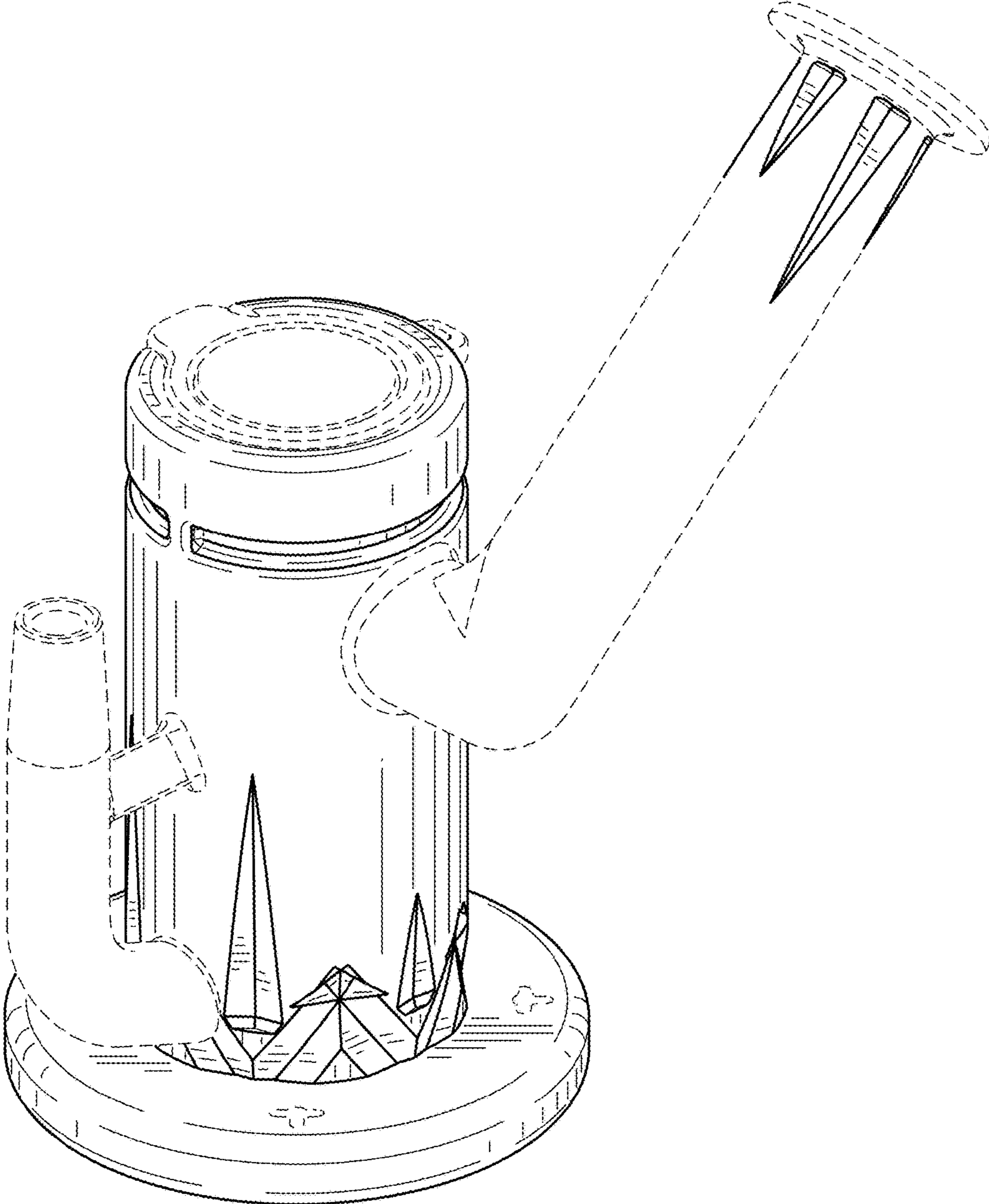


FIG. 1

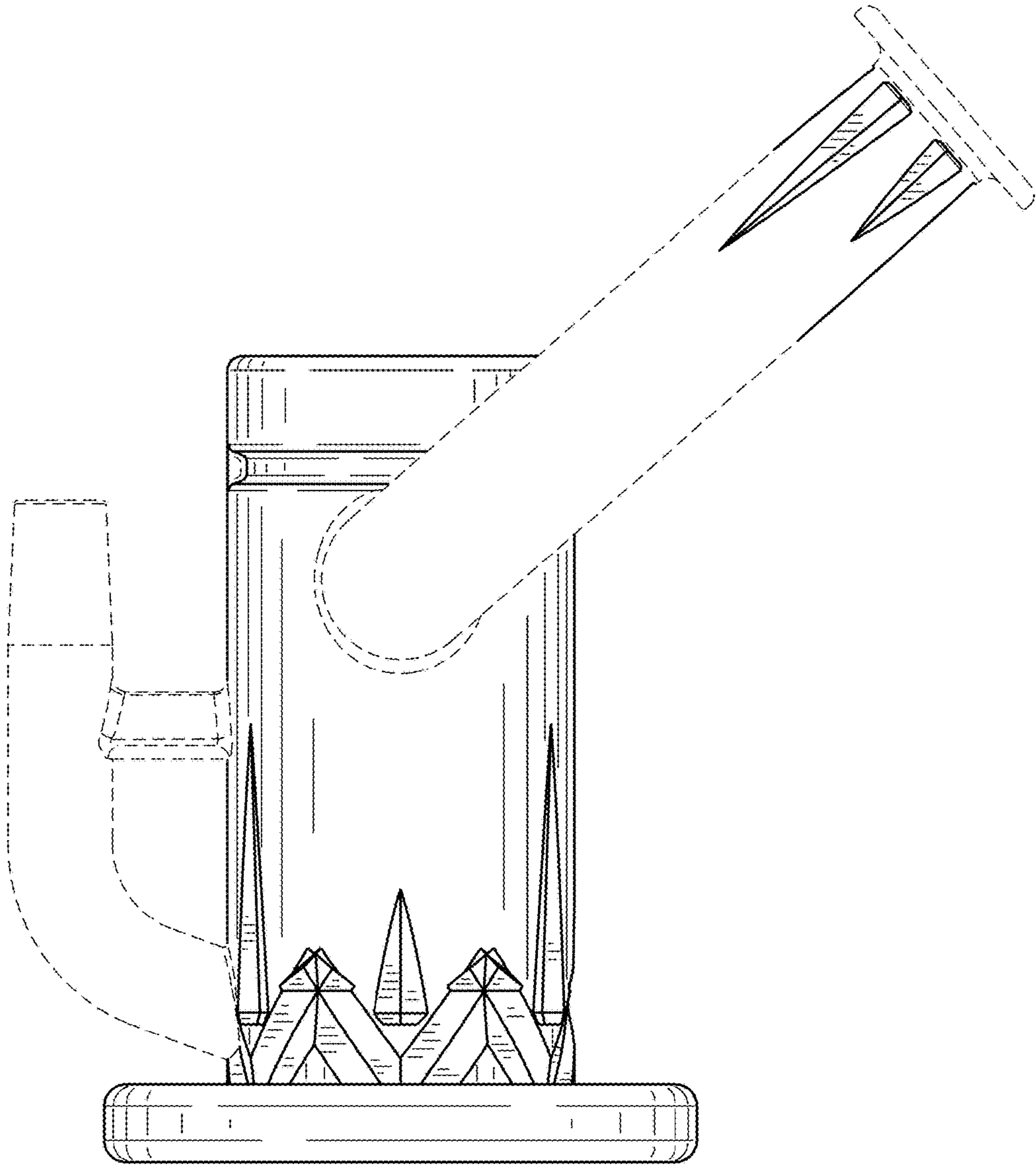


FIG. 2

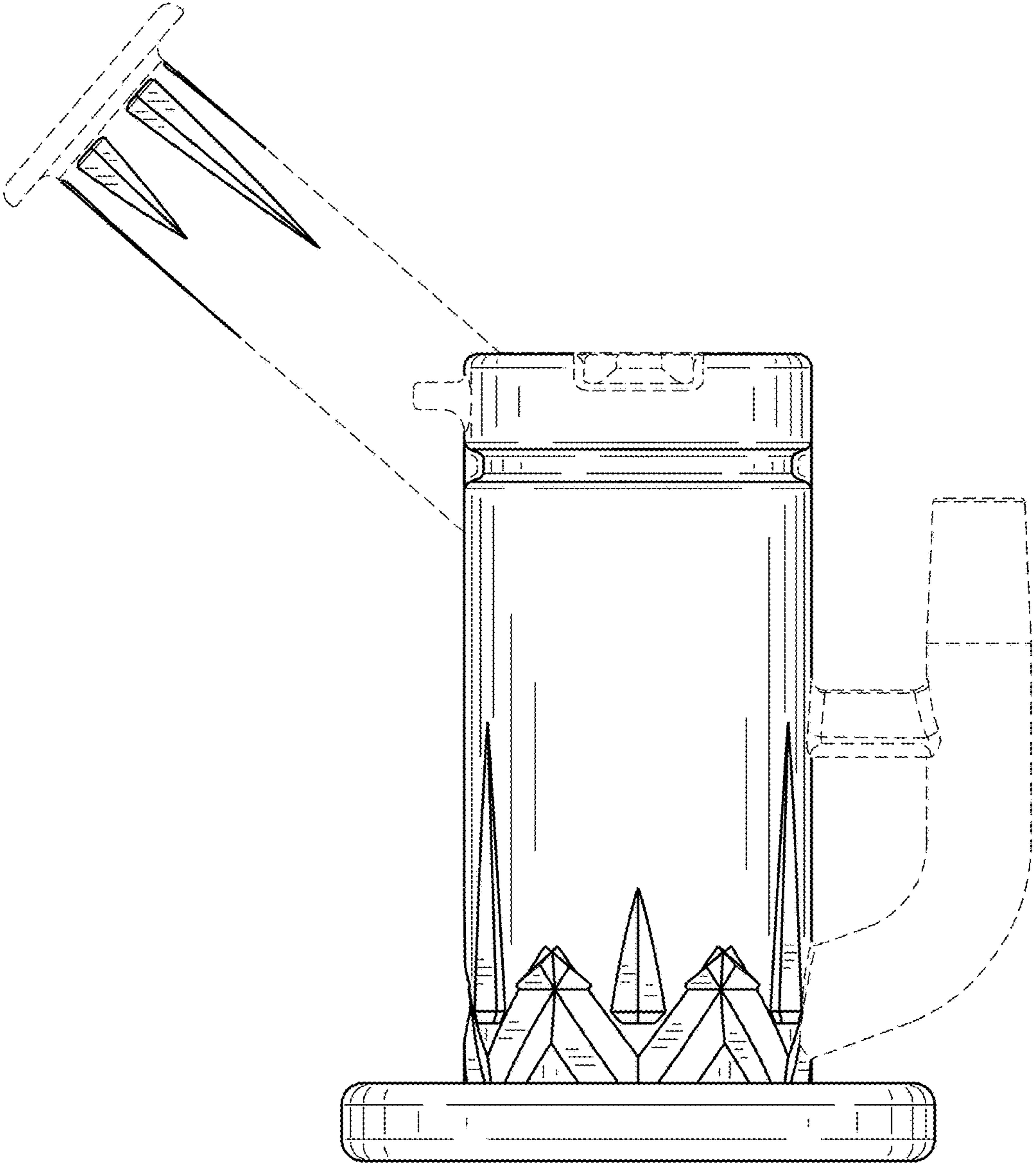


FIG. 3

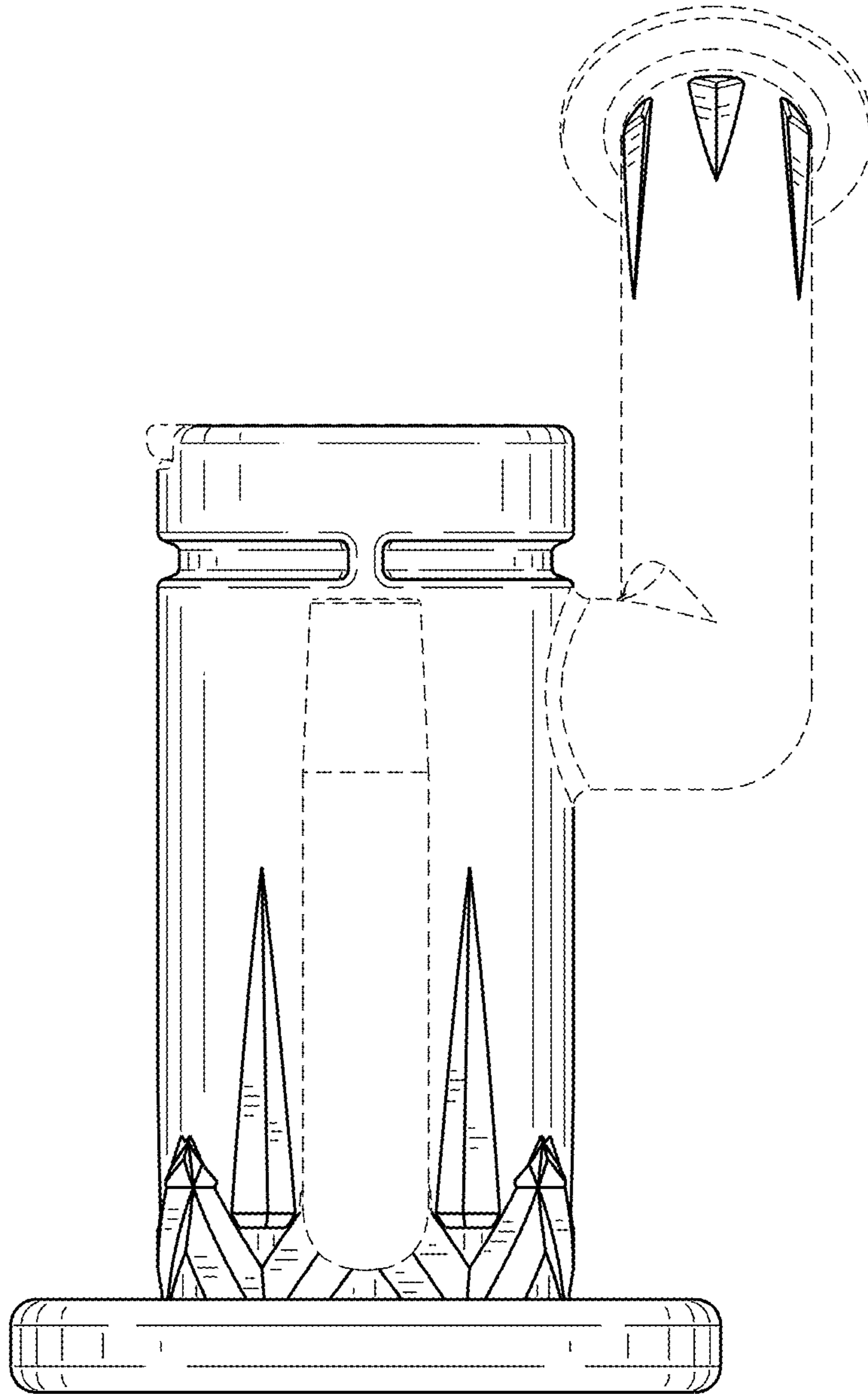


FIG. 4

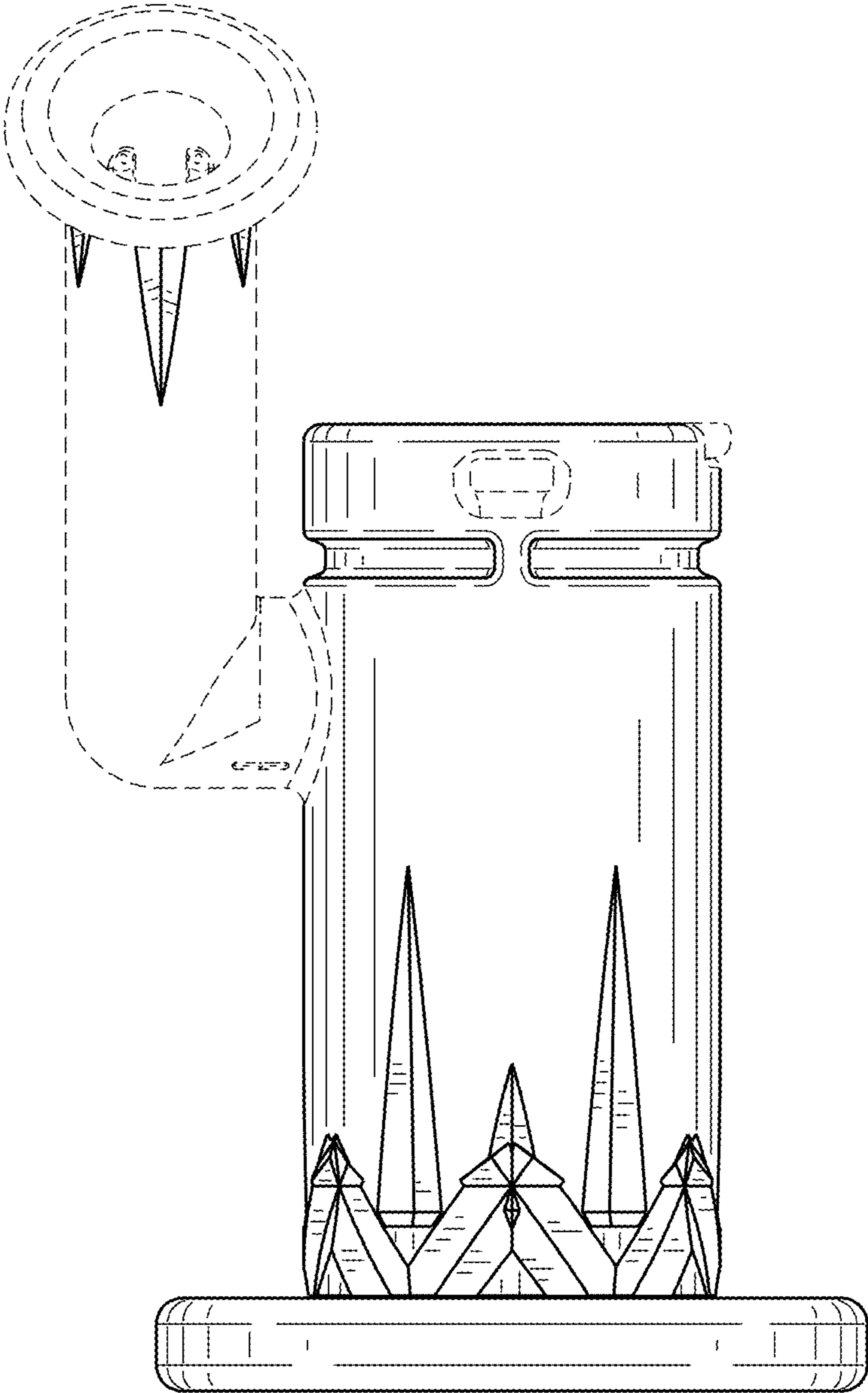


FIG. 5

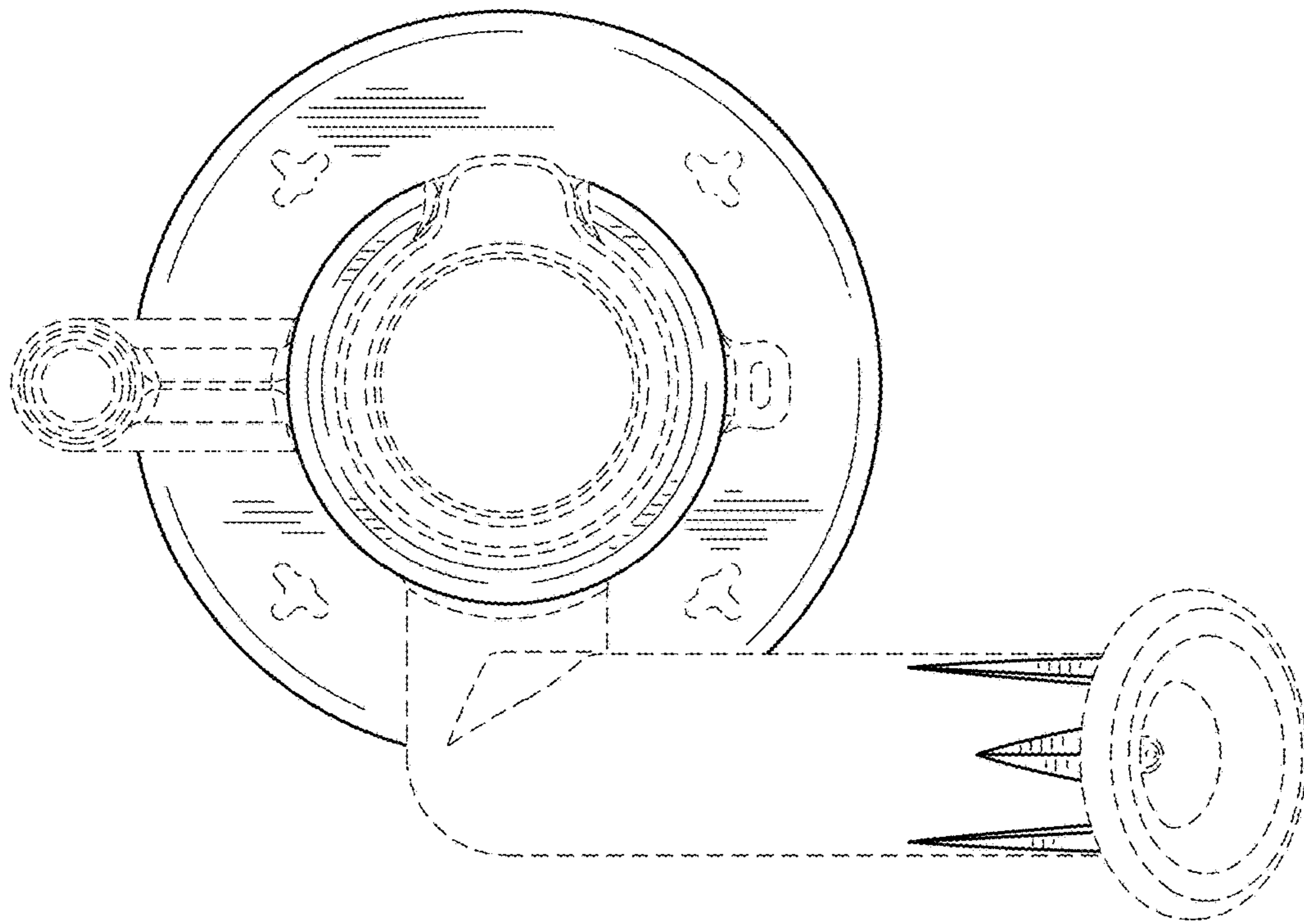


FIG. 6

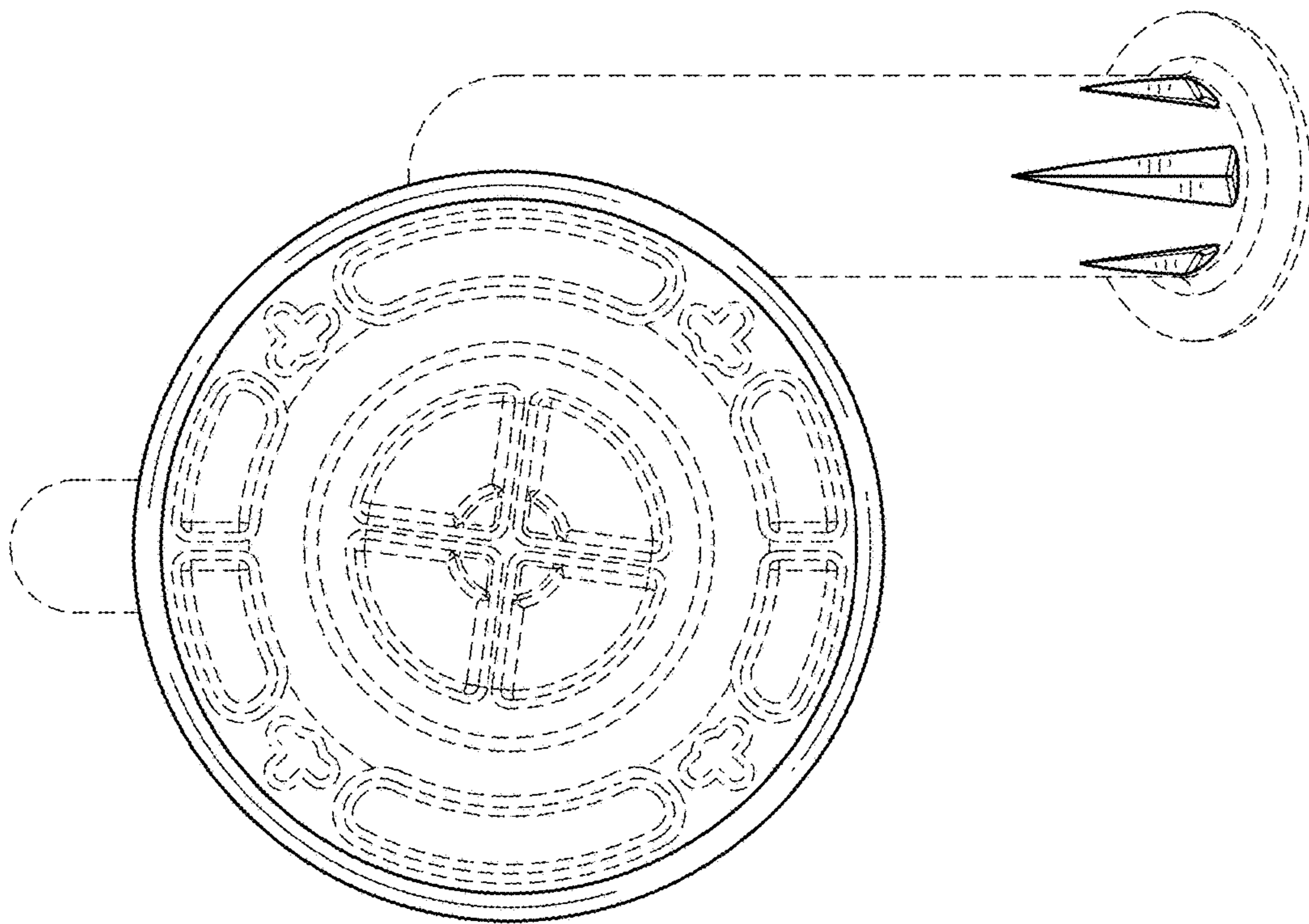


FIG. 7