



US00D825833S

(12) **United States Design Patent** (10) **Patent No.:** **US D825,833 S**
Rotenberg et al. (45) **Date of Patent:** **** Aug. 14, 2018**

(54) **ORB LIGHT FIXTURE** D664,708 S * 7/2012 Toft F21V 21/30 D26/142
(71) Applicant: **Cequent Consumer Products Inc.,** D702,279 S * 4/2014 Zhan D16/239
Solon, OH (US) D710,049 S * 7/2014 Haws D26/142
D710,050 S * 7/2014 Haws D26/142
(72) Inventors: **Gregory Y. Rotenberg,** Highland D710,051 S * 7/2014 Haws D26/142
Heights, OH (US); **Theodore Joseph**
Siegel, Mayfield Heights, OH (US); D741,539 S * 10/2015 Gettings D26/152
Eric Michael Yukich, Stow, OH (US) D758,561 S * 6/2016 Dolan D26/59
D770,673 S * 11/2016 Hasan D26/138
D773,717 S * 12/2016 Amato D26/89
D800,944 S * 10/2017 Sonneman D26/154

(73) Assignee: **HORIZON GLOBAL AMERICAS** * cited by examiner
INC., Plymouth, MI (US)
(**) Term: **15 Years**
Primary Examiner — George D. Kirschbaum
Assistant Examiner — Natasha Vujcic
(74) Attorney, Agent, or Firm — McDonald Hopkins LLC

(21) Appl. No.: **29/583,220**

(22) Filed: **Nov. 3, 2016**

(51) **LOC (11) Cl.** **26-05**

(52) **U.S. Cl.**
USPC **D26/142**

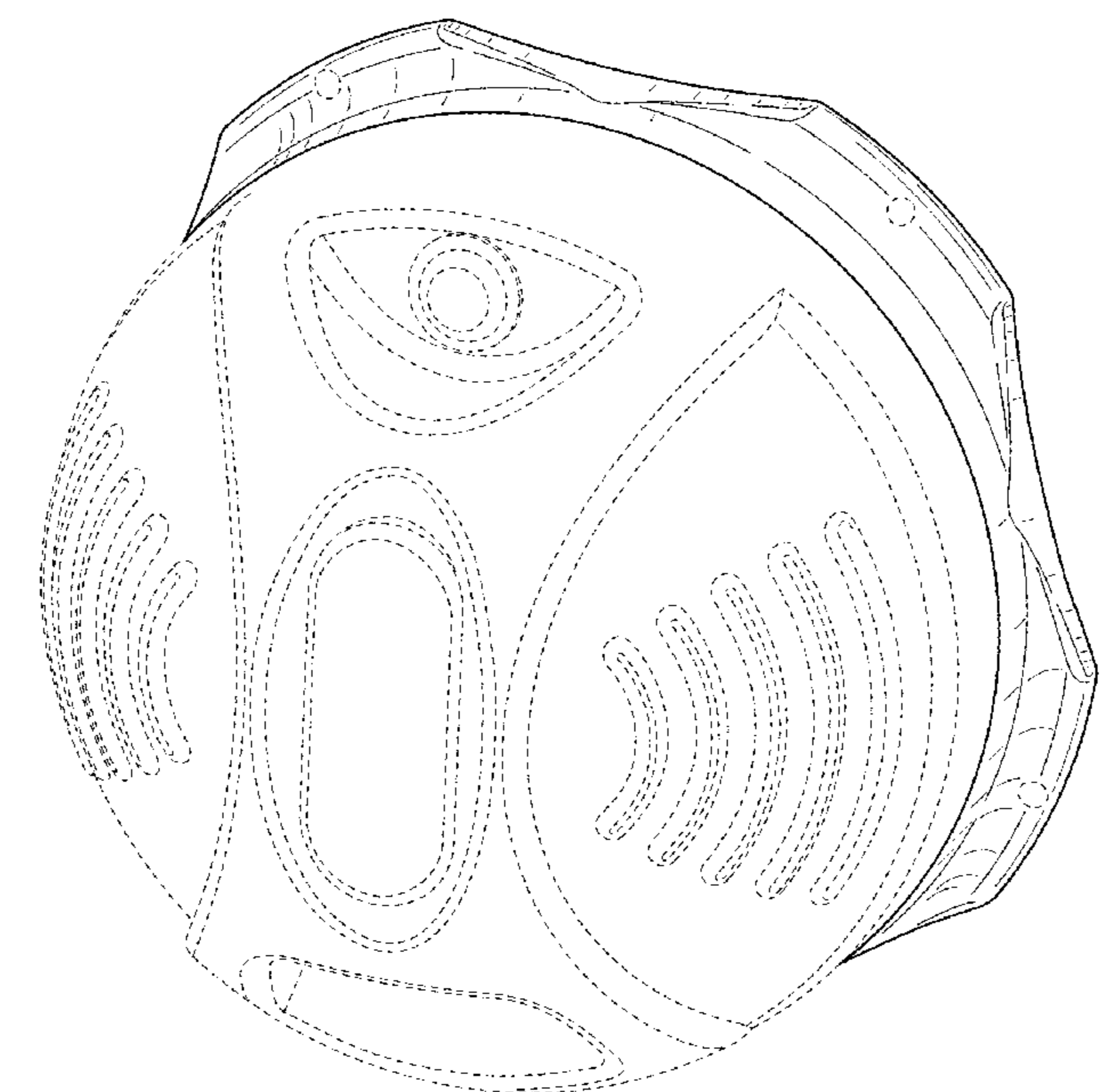
(58) **Field of Classification Search**
USPC D26/76, 78, 79, 80, 81, 82, 83, 85, 86,
D26/88, 90, 113, 118, 119, 120, 121, 122,
D26/138, 139, 140, 141, 142, 152
CPC F21S 2/00; F21S 4/00; F21S 4/003; F21S
4/005; F21S 4/006; F21S 4/007; F21S
4/008; F21S 6/00; F21S 8/00; F21S
8/024; F21S 8/026; F21S 8/031; F21S
8/033; F21S 8/035–8/037; F21S 8/04;
F21S 8/043; F21S 8/063
See application file for complete search history.

(56) **References Cited**
U.S. PATENT DOCUMENTS
D32,793 S * 6/1900 Fauber 411/427
D617,485 S * 6/2010 Hamilton D26/67

(57) **CLAIM**
The ornamental design for an orb light fixture, as shown and described.

DESCRIPTION
FIG. 1 is a perspective view of an orb light fixture showing our new design;
FIG. 2 is a top view of FIG. 1 thereof;
FIG. 3 is a bottom view of FIG. 1 thereof;
FIG. 4 is a first side view of FIG. 1 thereof;
FIG. 5 is a second side view of FIG. 1 thereof;
FIG. 6 is a front view of FIG. 1 thereof;
FIG. 7 is a back view of FIG. 1 thereof;
FIG. 8 is a bottom perspective view of FIG. 1 thereof; and,
FIG. 9 is a perspective view of FIG. 1.

1 Claim, 7 Drawing Sheets



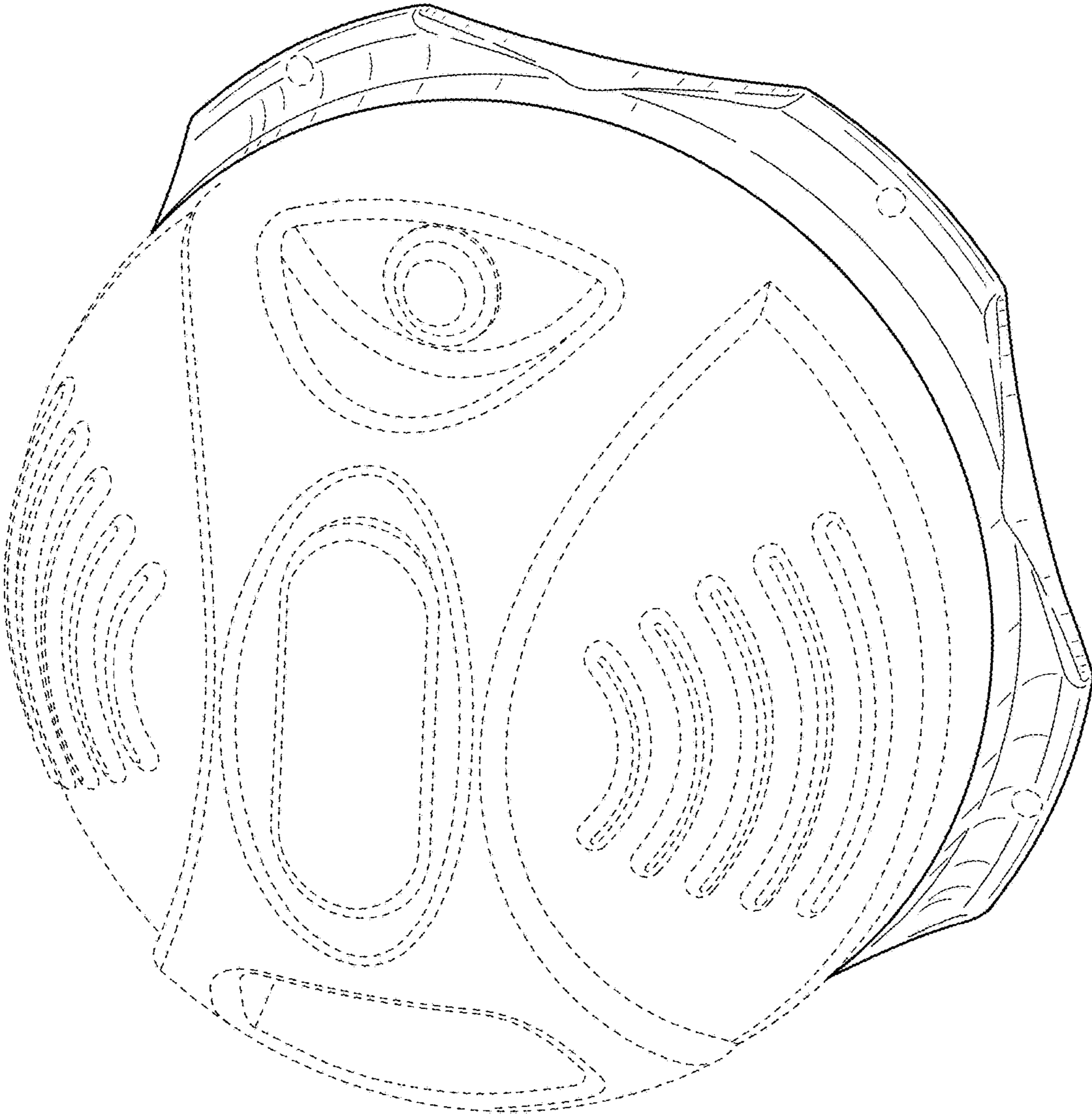


FIG. 1

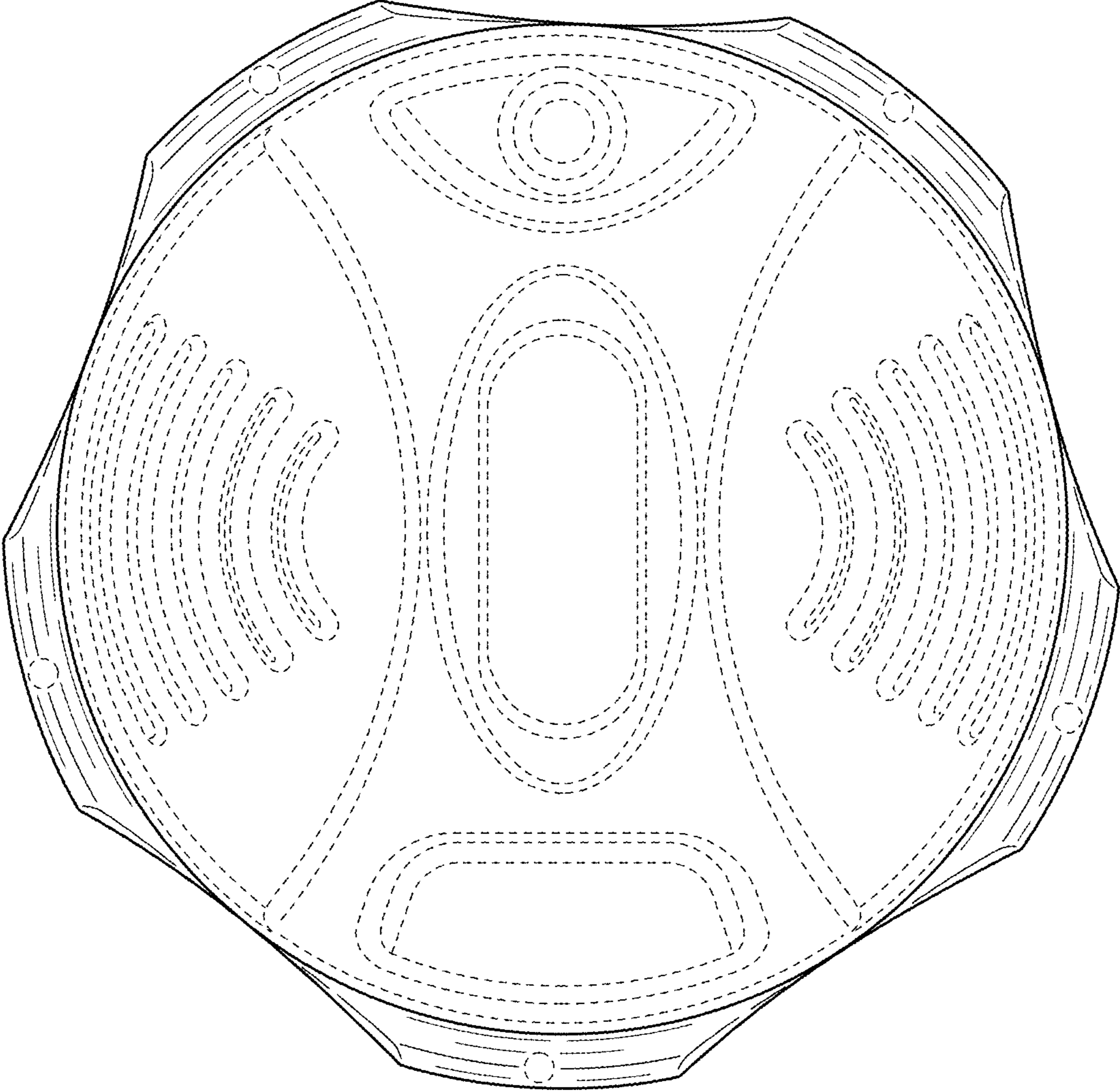


FIG. 2

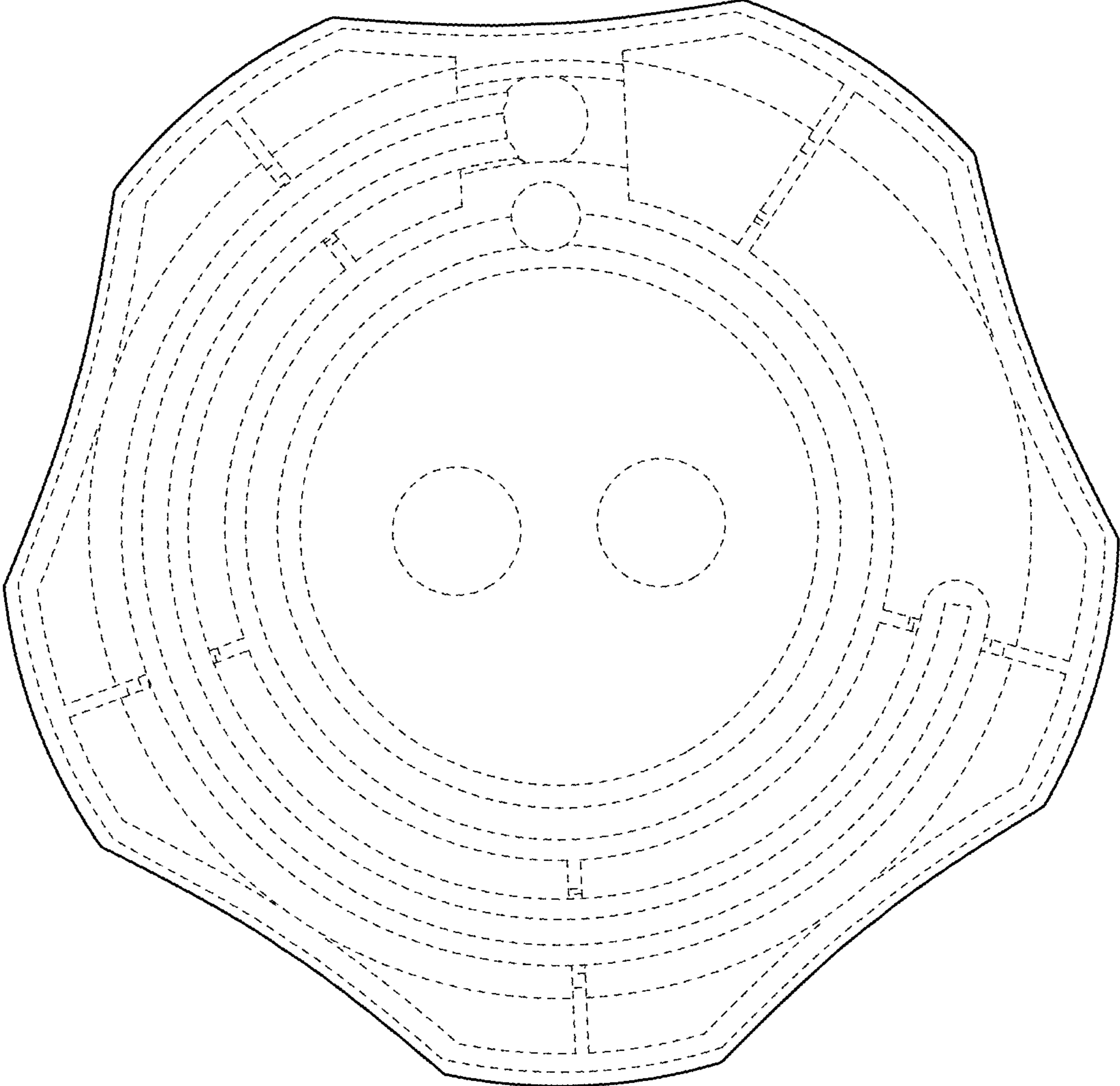


FIG. 3

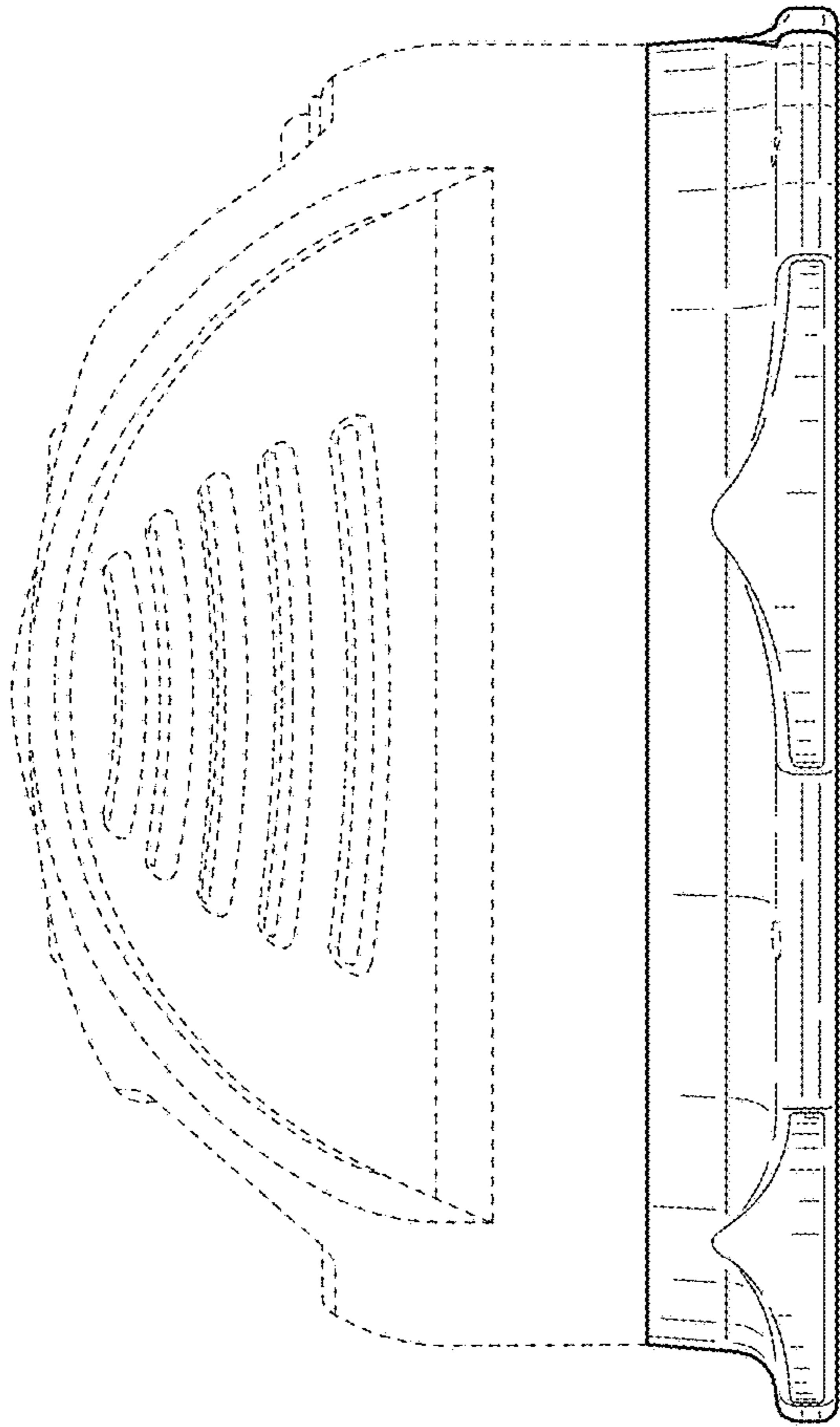


FIG. 4

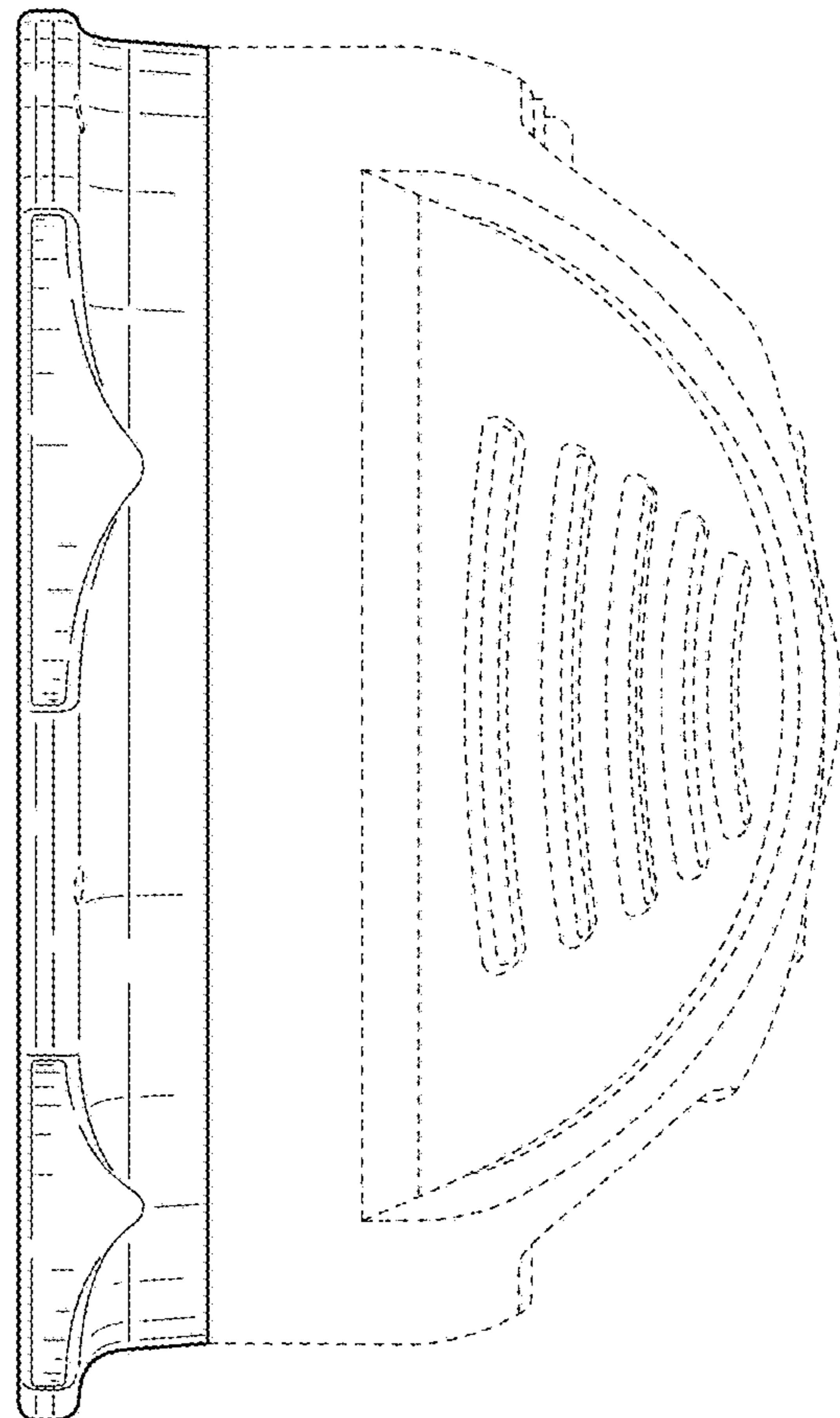


FIG. 5

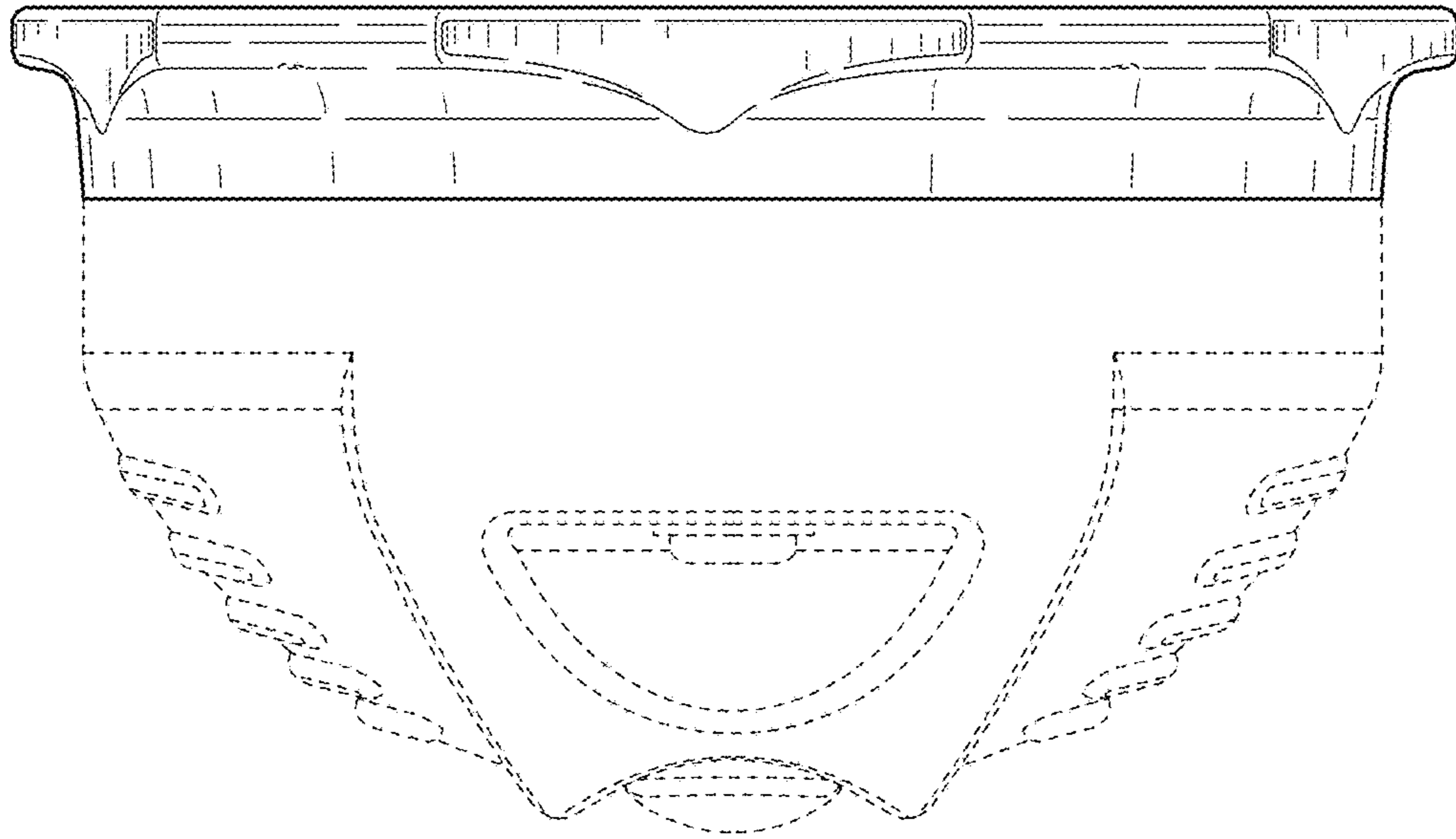


FIG. 6

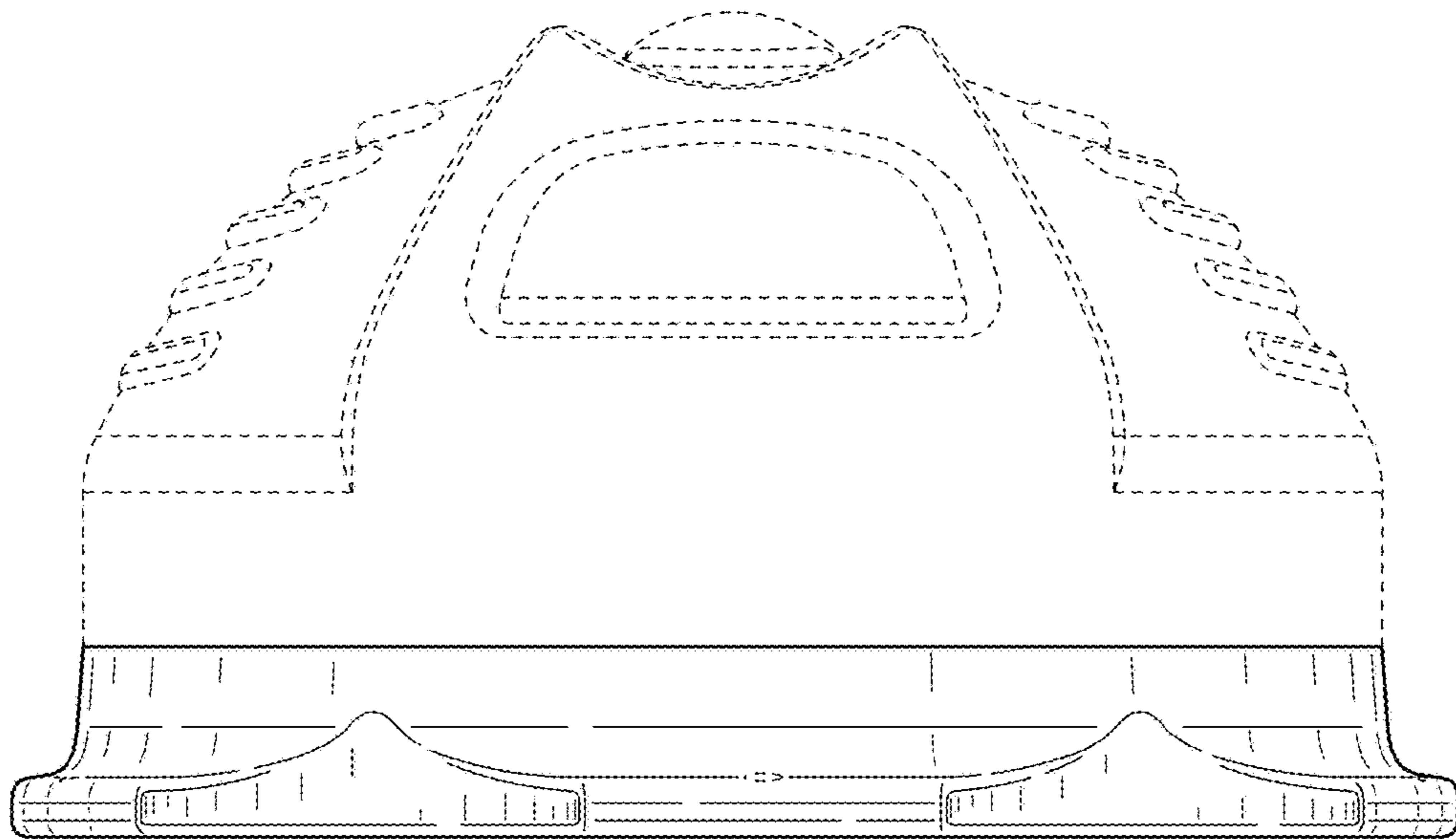


FIG. 7

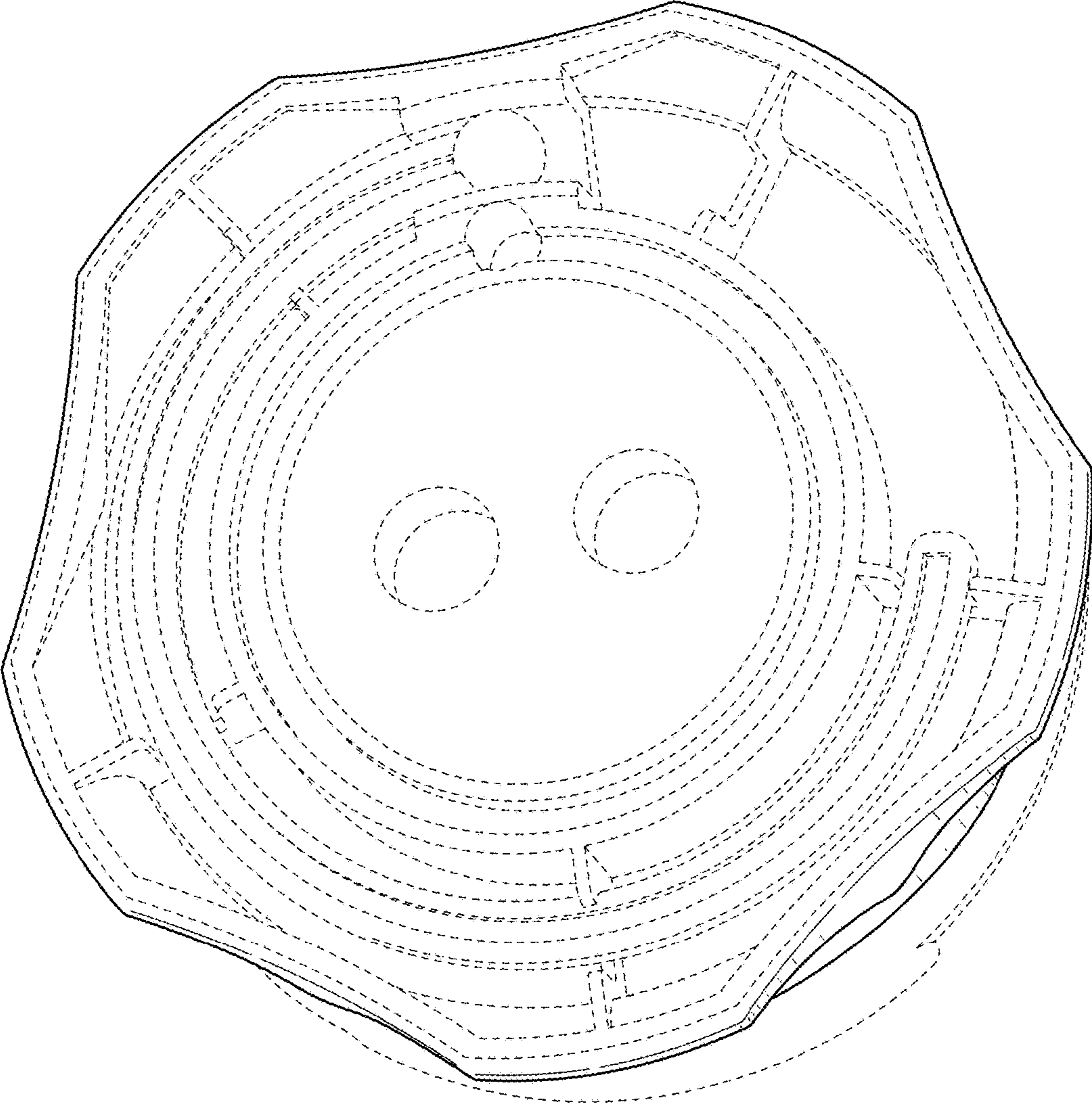


FIG. 8

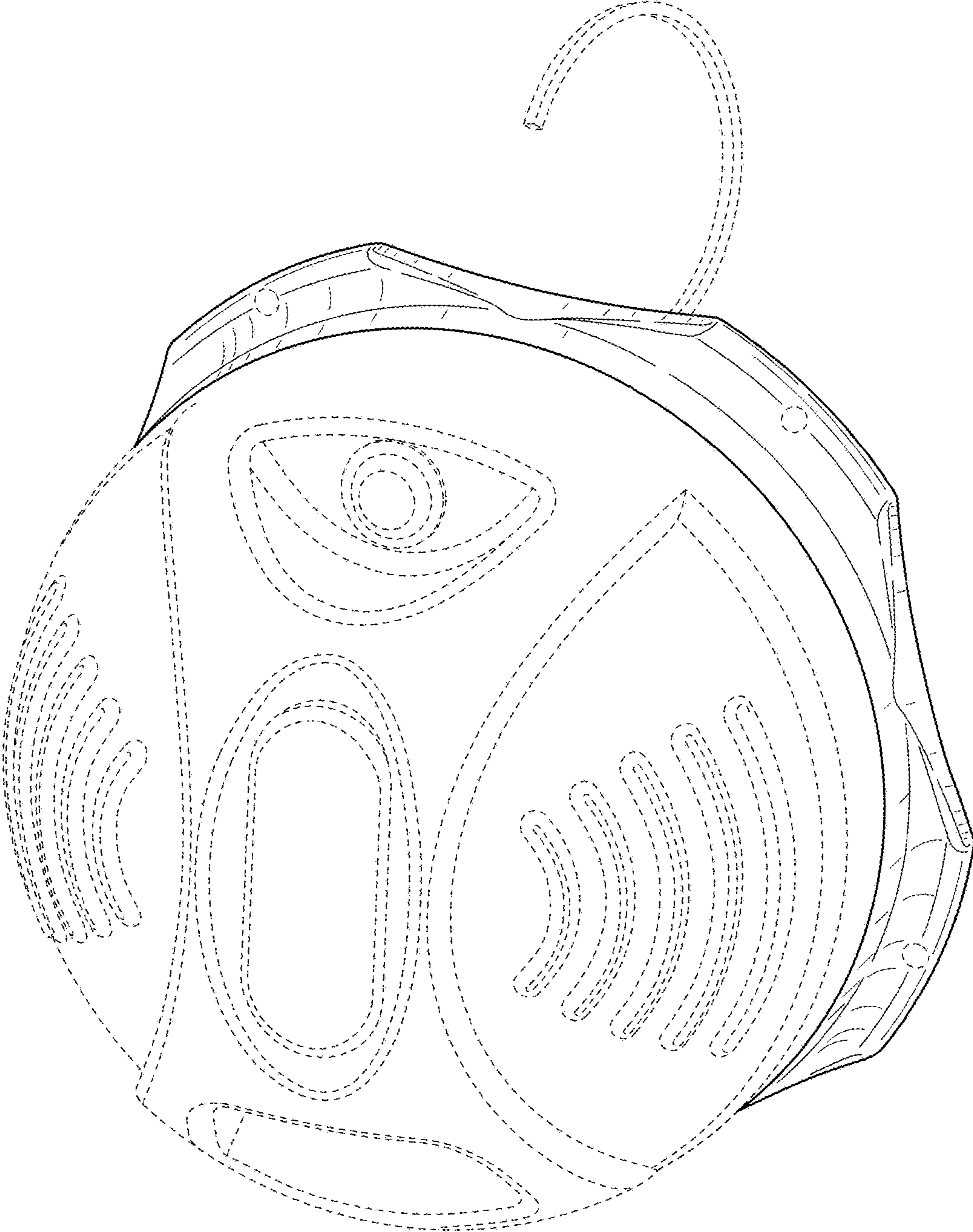


FIG. 9