

US00D825832S

(12) **United States Design Patent**
Lin

(10) **Patent No.:** **US D825,832 S**

(45) **Date of Patent:** **** Aug. 14, 2018**

(54) **AUTOMOBILE HEADLIGHT LENS**

(71) Applicant: **Chi-Chung Lin**, Hsinchu (TW)

(72) Inventor: **Chi-Chung Lin**, Hsinchu (TW)

(**) Term: **15 Years**

(21) Appl. No.: **29/613,606**

(22) Filed: **Aug. 11, 2017**

(51) **LOC (11) Cl.** **26-99**

(52) **U.S. Cl.**
USPC **D26/139**

(58) **Field of Classification Search**
USPC D26/28-36, 139; 362/80-83, 267-269,
362/459-468, 475-478, 485-487
CPC F21S 48/00; F21S 48/10; F21S 48/115;
F21S 48/225; F21S 48/1233; F21S
48/1266; F21S 48/1388; F21S 48/2268;
F21V 21/04
See application file for complete search history.

(56) **References Cited**

U.S. PATENT DOCUMENTS

D318,537 S * 7/1991 Allman D26/139
D364,704 S * 11/1995 Alger D12/167

D426,905 S * 6/2000 Cook D26/28
D440,331 S * 4/2001 Nakazawa D26/28
D640,826 S * 6/2011 Beigel D26/139
D660,507 S * 5/2012 Davidson D26/139
D771,850 S 11/2016 Platto

* cited by examiner

Primary Examiner — Marcus Jackson

(74) *Attorney, Agent, or Firm* — Alexander Chen, Esq.

(57) **CLAIM**

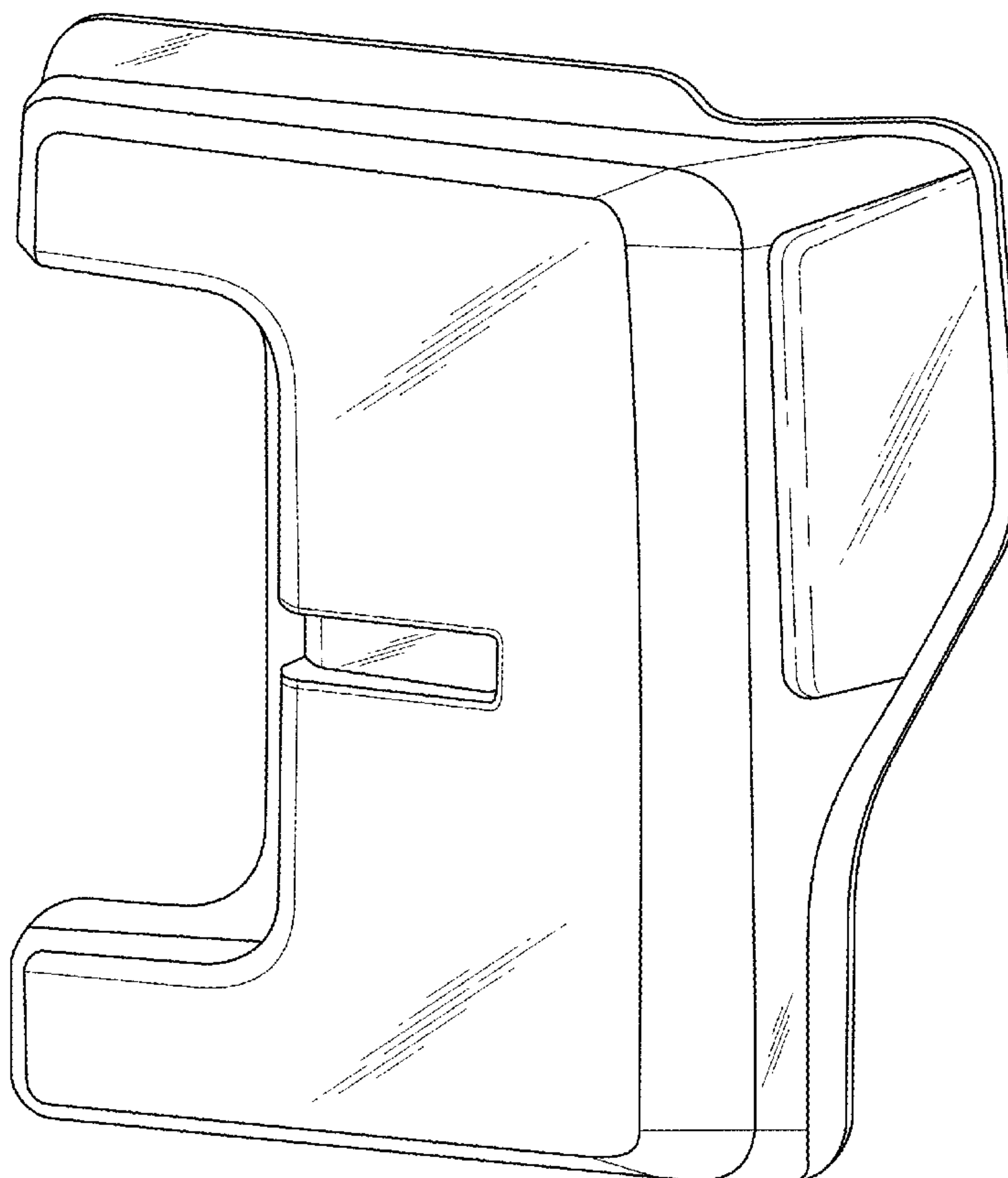
The ornamental design for an automobile headlight lens, as shown and described.

DESCRIPTION

FIG. 1 is a perspective view of an automobile headlight lens; FIG. 2 is a front view thereof; FIG. 3 is a right side view thereof; and, FIG. 4 is a top view thereof.

The broken lines are included to show environmental structure and form no part of the claimed design. The drawings and descriptions represent the right side embodiment. The claim is also for a mirror image left side embodiment.

1 Claim, 4 Drawing Sheets



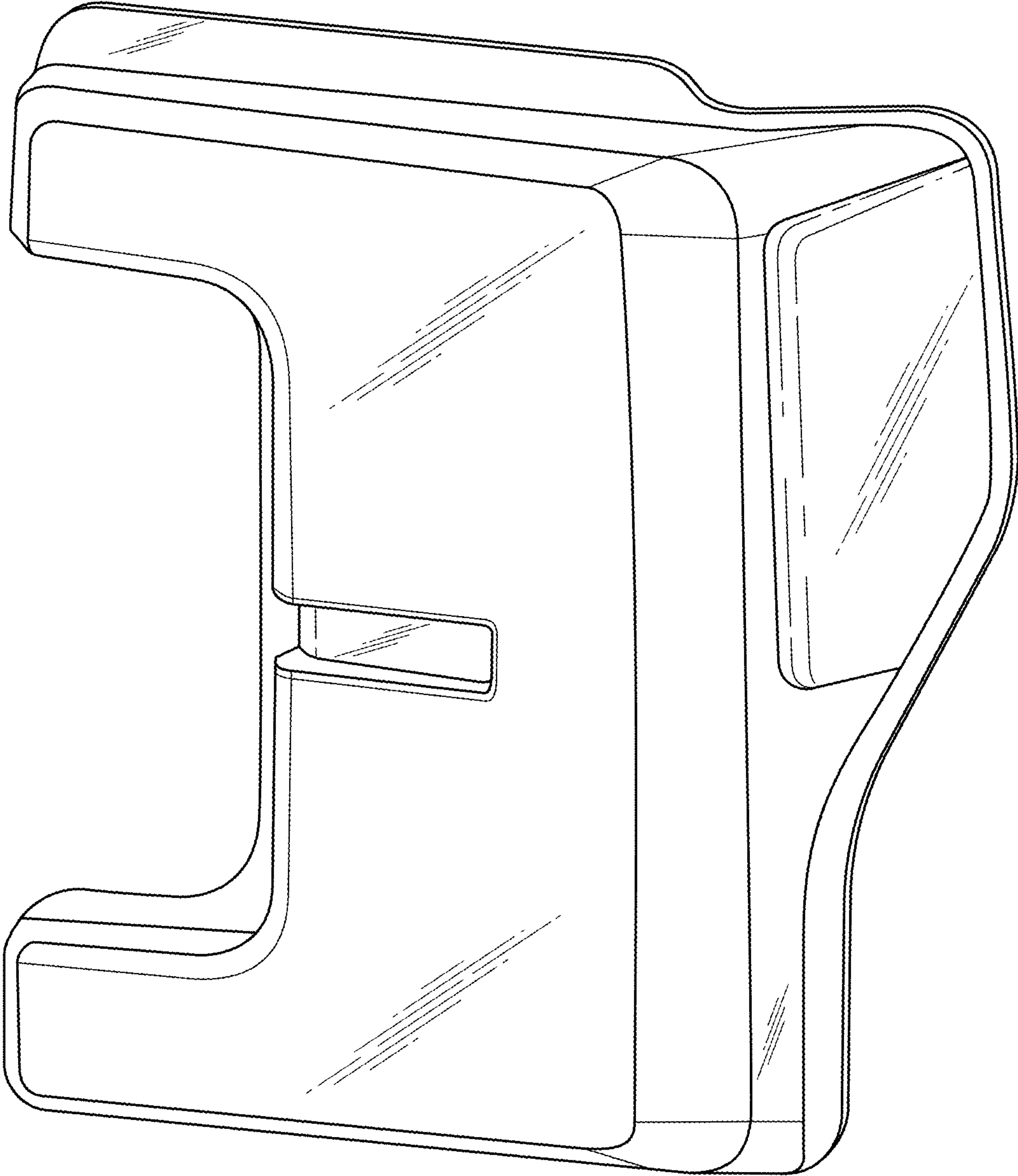


FIG. 1

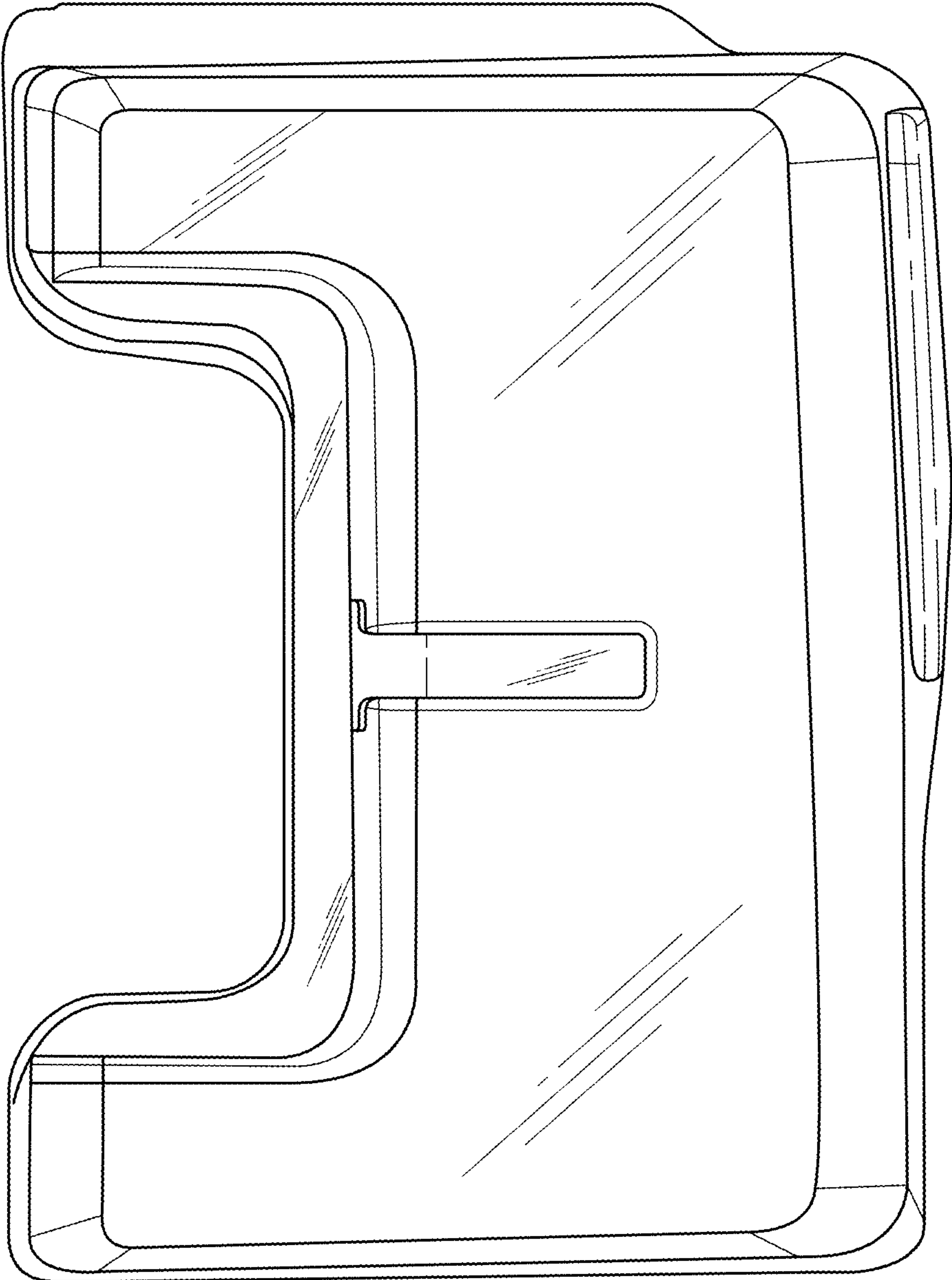


FIG. 2

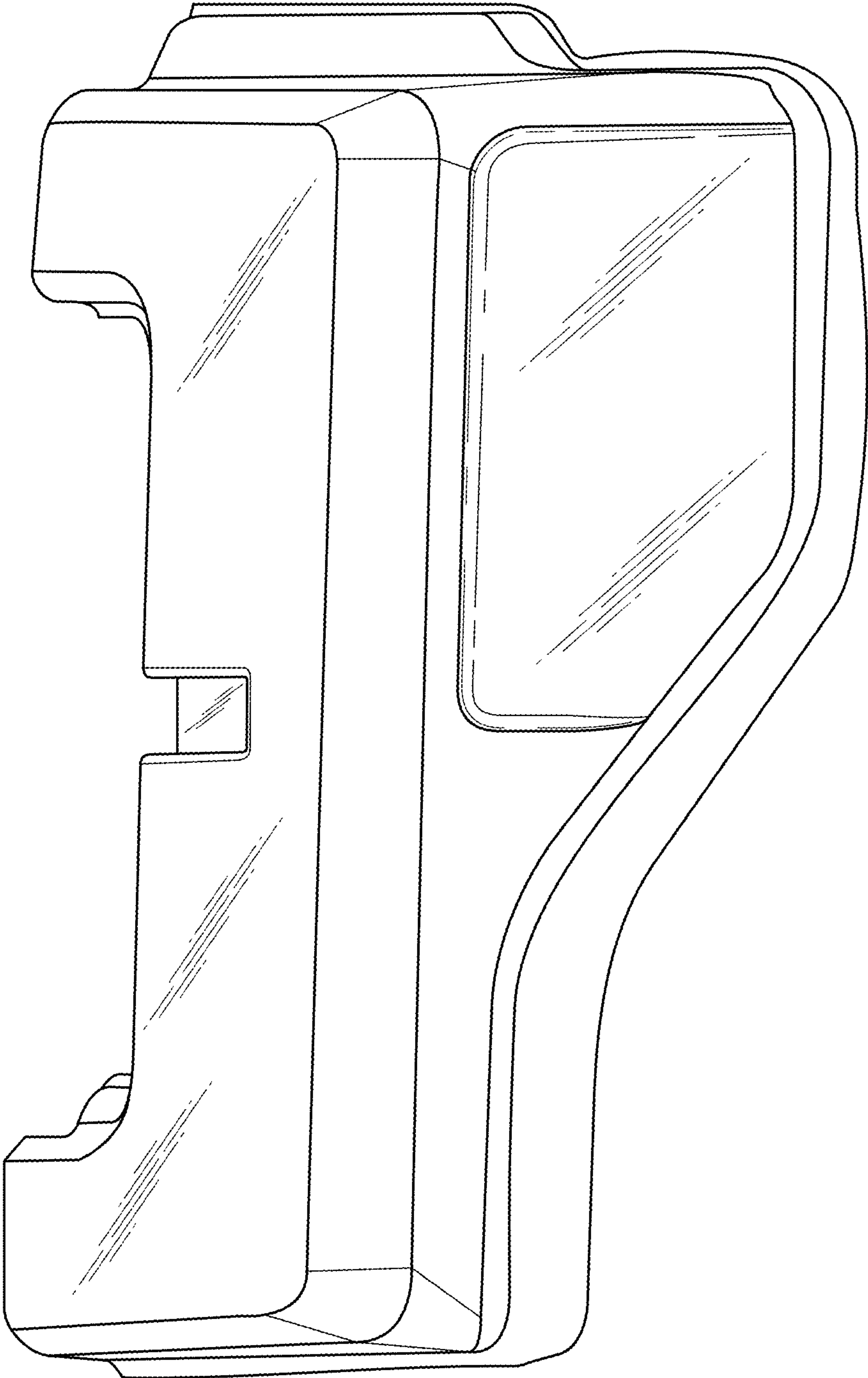


FIG. 3

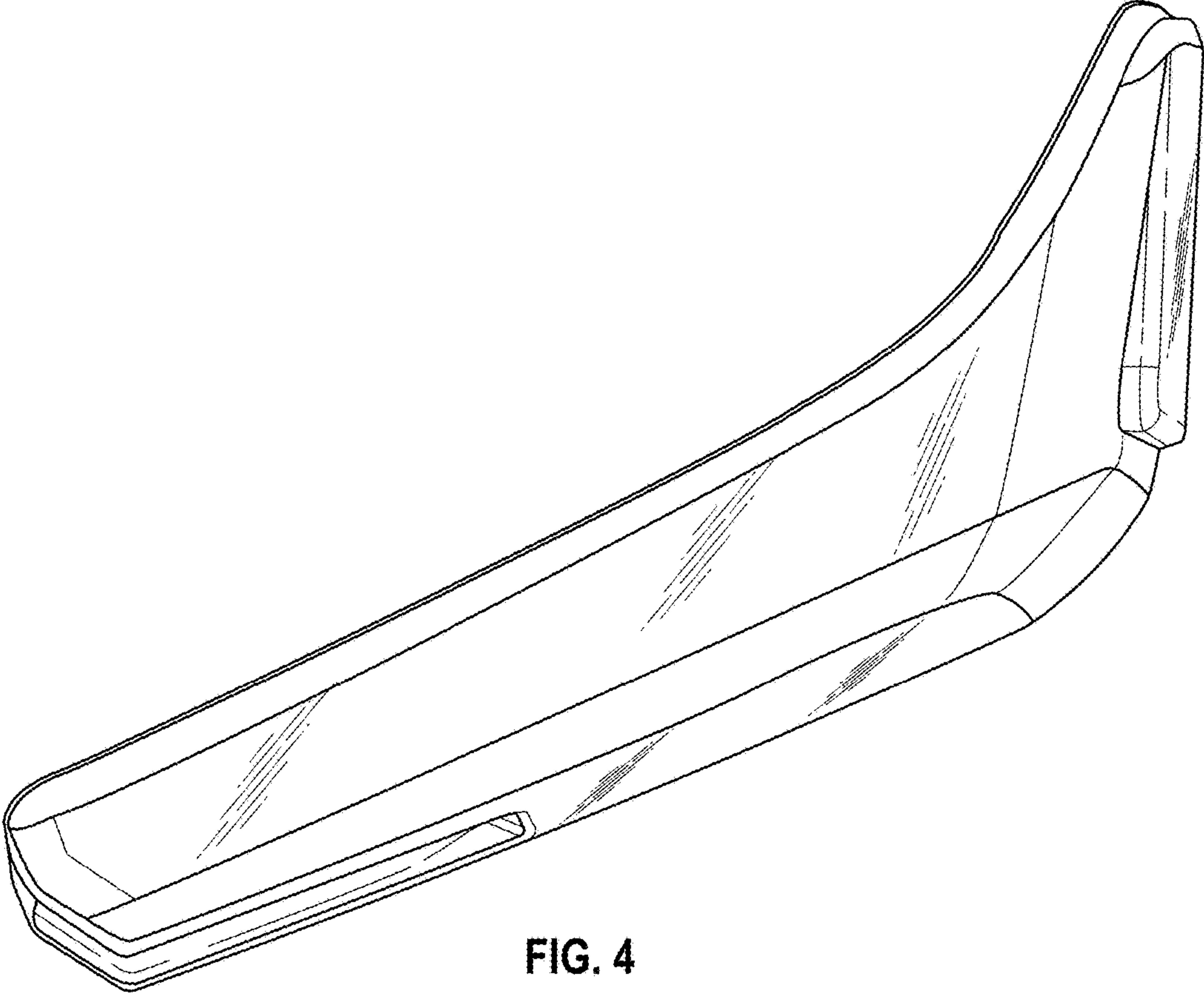


FIG. 4