



US00D825829S

(12) **United States Design Patent**
Guo

(10) **Patent No.:** **US D825,829 S**

(45) **Date of Patent:** **** Aug. 14, 2018**

(54) **MINI LASER PROJECTOR**

(71) Applicant: **Haifan Guo**, Guangdong (CN)

(72) Inventor: **Haifan Guo**, Guangdong (CN)

(**) Term: **15 Years**

(21) Appl. No.: **29/618,195**

(22) Filed: **Sep. 19, 2017**

(51) **LOC (11) Cl.** **26-05**

(52) **U.S. Cl.**
USPC **D26/138**

(58) **Field of Classification Search**
USPC D26/28, 30, 31, 118, 2, 73, 74, 75, 78,
D26/122, 121, 138, 136, 137, 139-145,
D26/155, 71, 60, 68, 113
CPC F21V 31/03; F21V 7/0083; F21V 29/004;
B60Q 1/04; B60Q 1/26
See application file for complete search history.

(56) **References Cited**

U.S. PATENT DOCUMENTS

D465,588 S * 11/2002 Nagano D26/28
D581,555 S * 11/2008 To D26/2
D586,498 S * 2/2009 Wu D26/118

D592,799 S * 5/2009 Scott D26/138
D597,704 S * 8/2009 Peng D26/118
D627,507 S * 11/2010 Lai D26/138
D650,518 S * 12/2011 Fletcher D26/138
D665,527 S * 8/2012 Harger D26/136
D709,642 S * 7/2014 Maxik D26/113
D723,728 S * 3/2015 Jeswani D26/74
D779,100 S * 2/2017 Redfern D26/74
D790,121 S * 6/2017 Sonneman D26/128
D794,860 S * 8/2017 Khubani D26/118

* cited by examiner

Primary Examiner — Mark A Goodwin
Assistant Examiner — Benjamin M Weeks

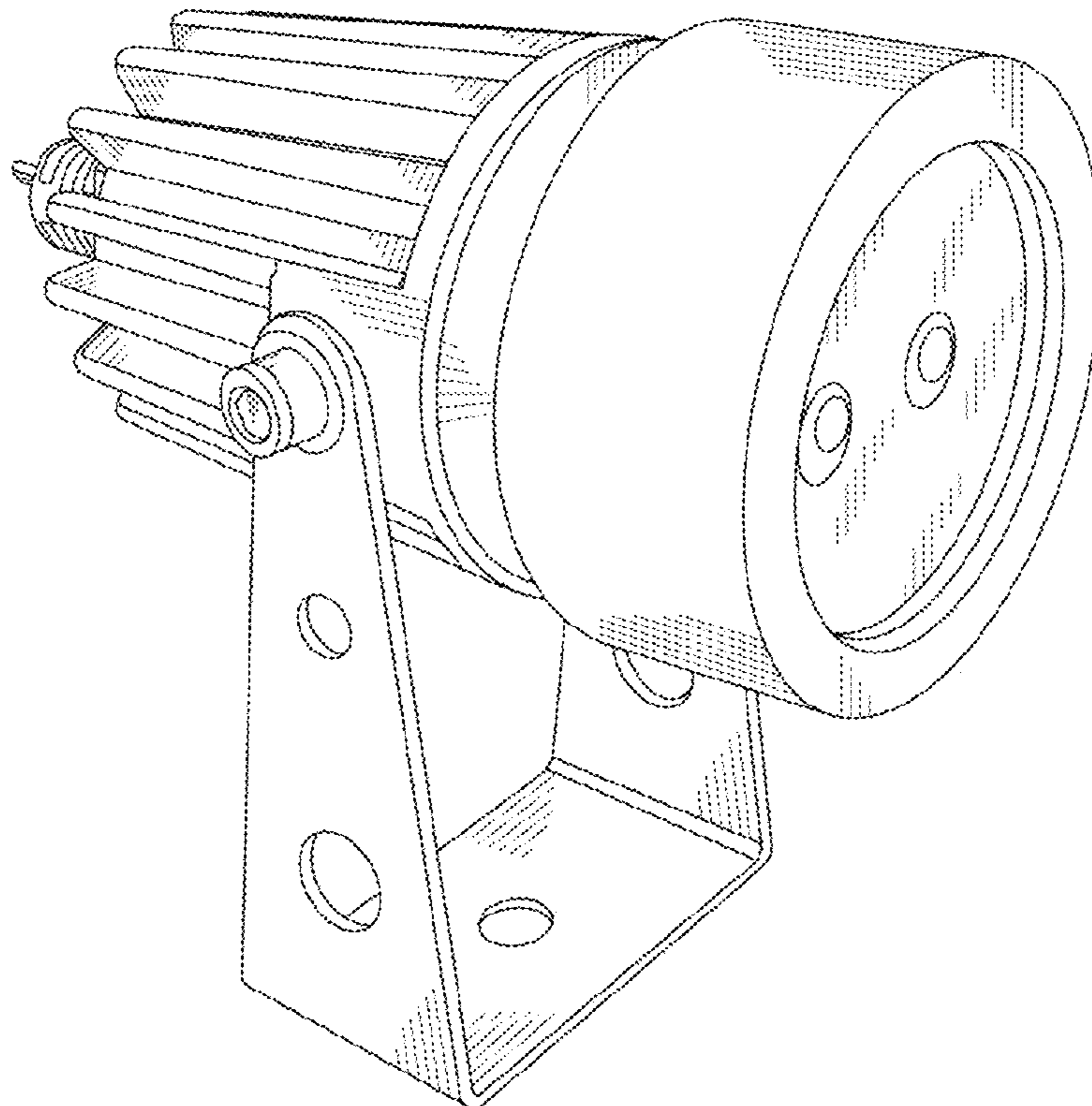
(57) **CLAIM**

I claim the ornamental design for a mini laser projector, as shown and described.

DESCRIPTION

FIG. 1 is a perspective view of a mini laser projector showing my new design;
FIG. 2 is a front elevational view thereof;
FIG. 3 is a rear elevational view thereof;
FIG. 4 is a left side elevational view thereof;
FIG. 5 is a right side elevational view thereof;
FIG. 6 is a top plan view thereof; and,
FIG. 7 is a bottom plan view thereof.

1 Claim, 7 Drawing Sheets



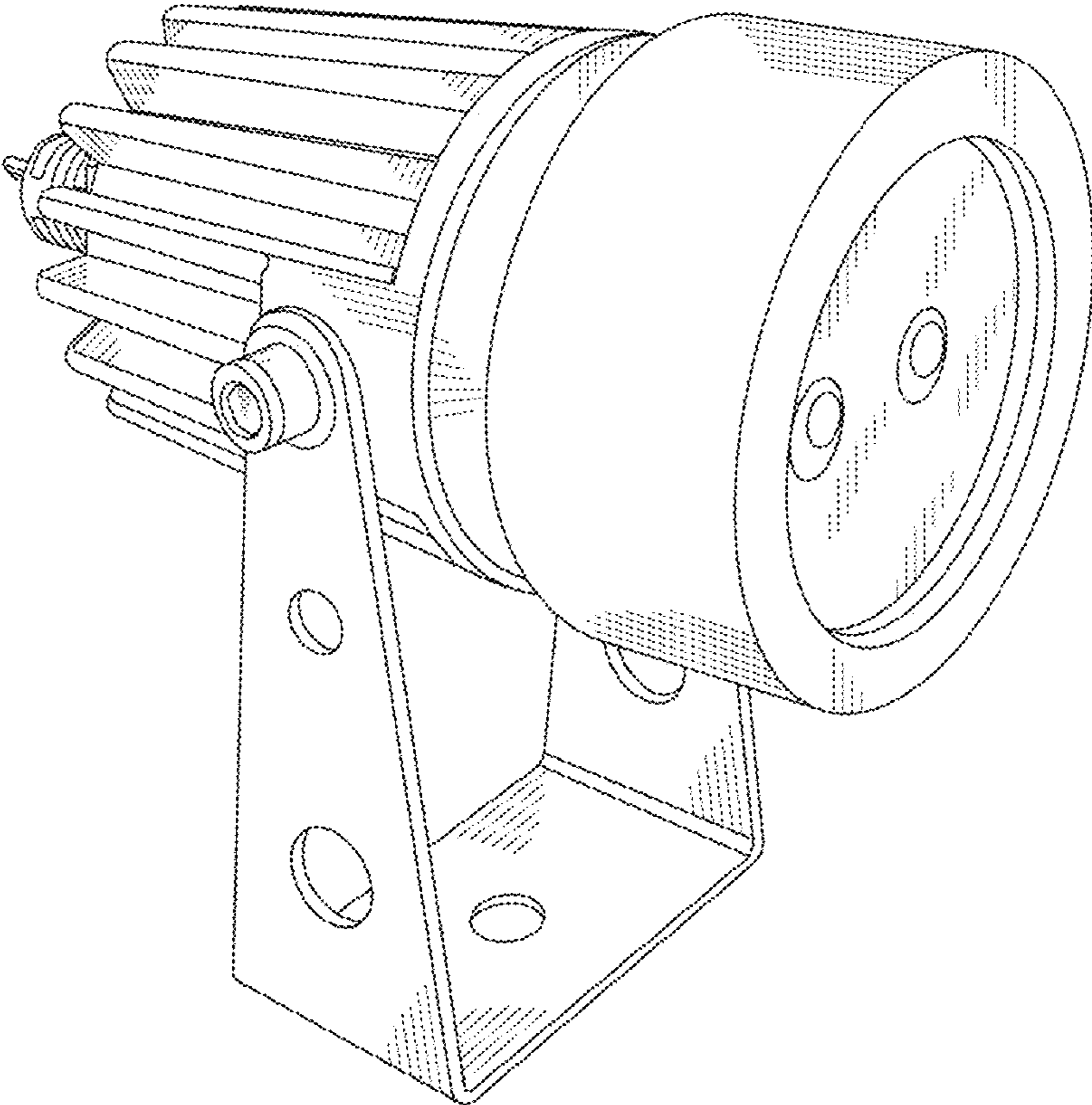


FIG.1

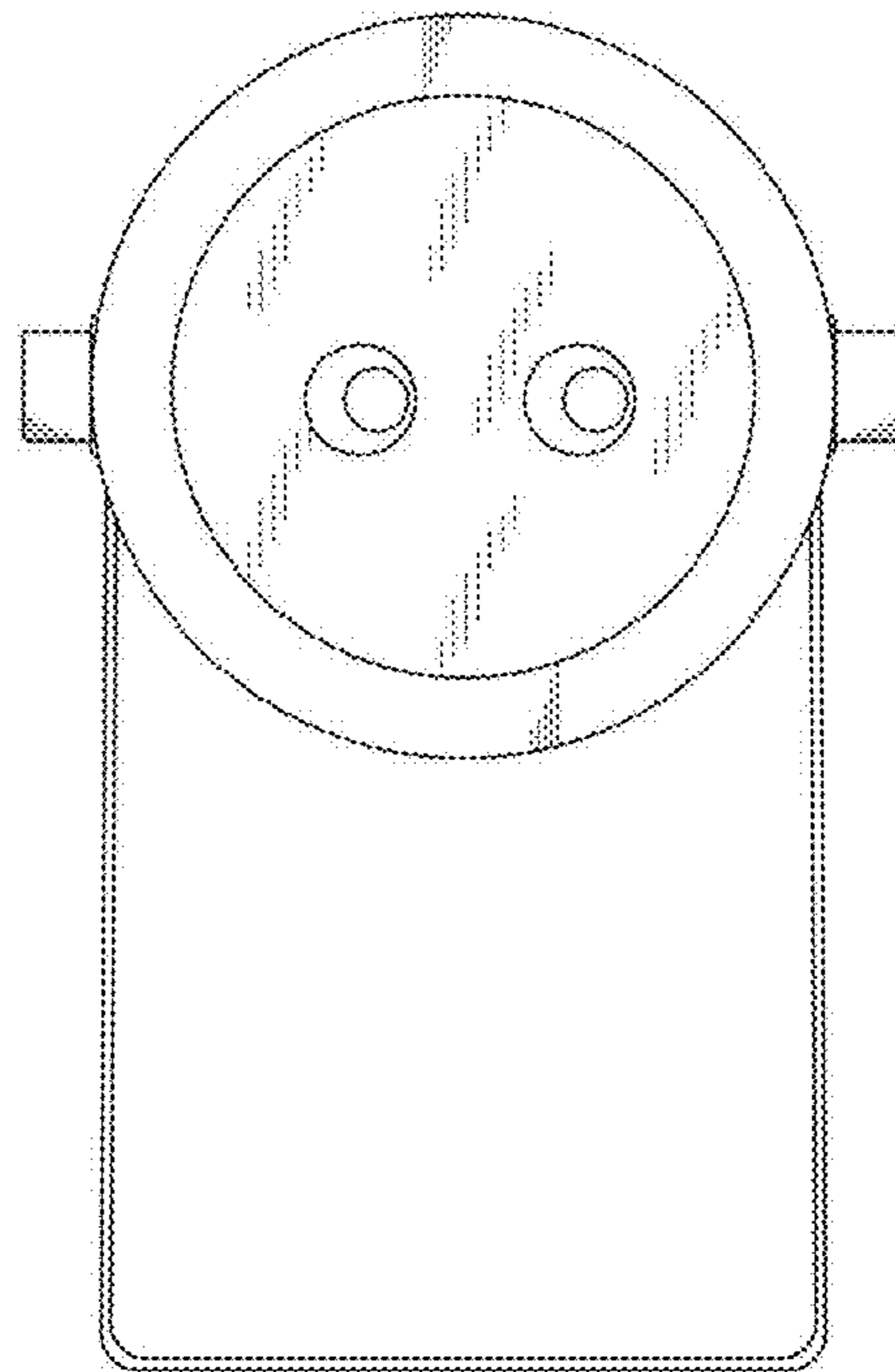


FIG. 2

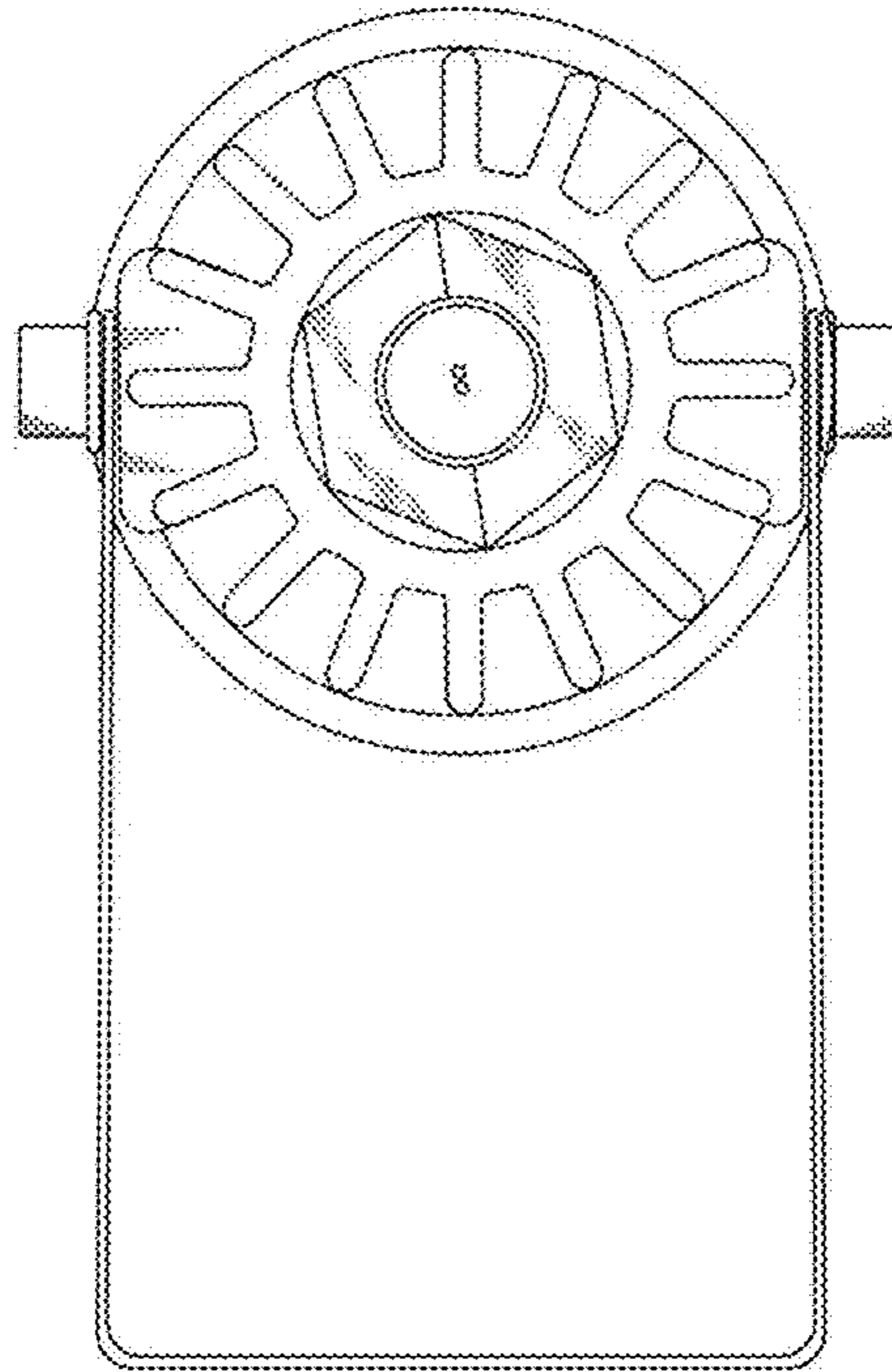


FIG.3

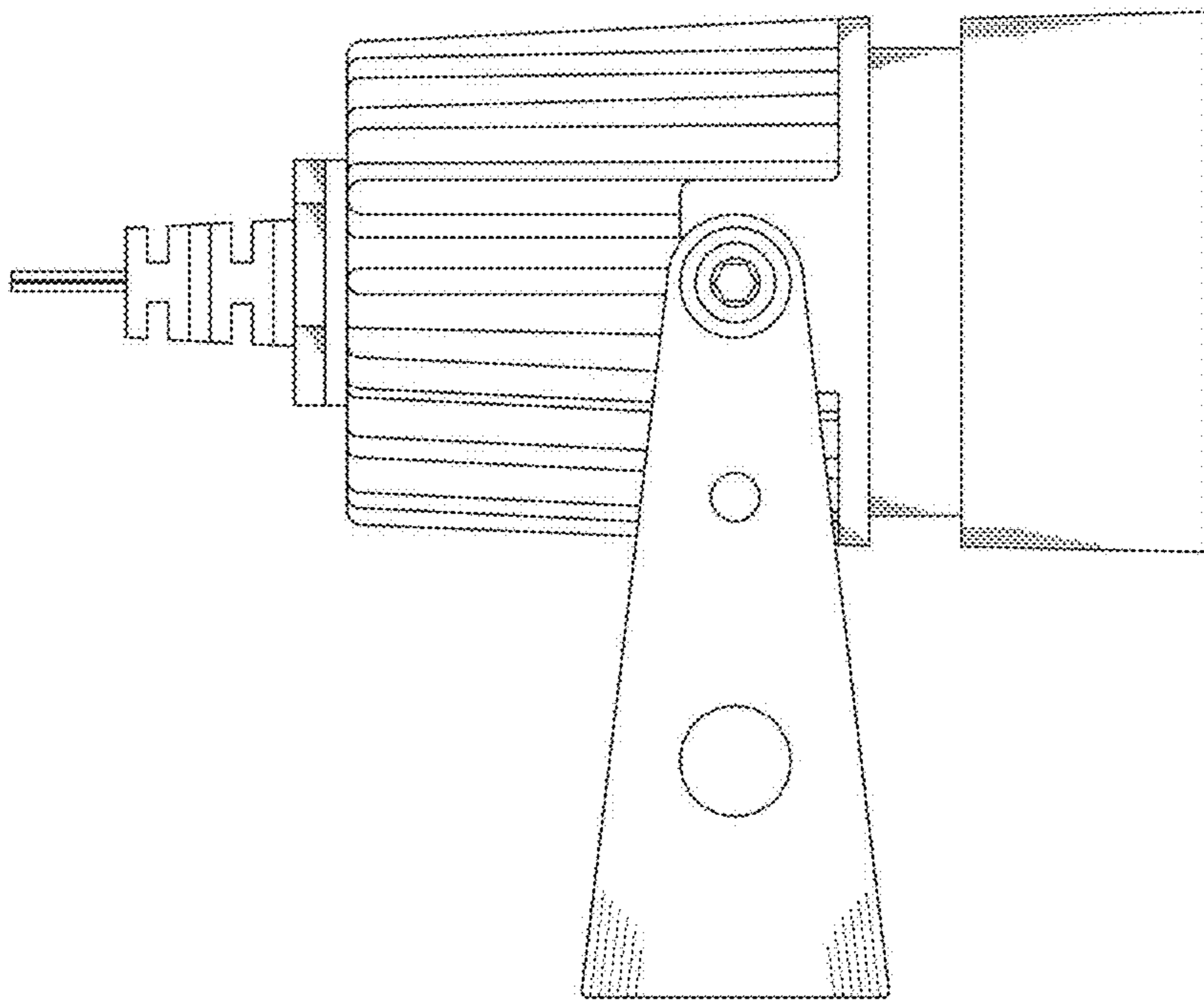


FIG.4

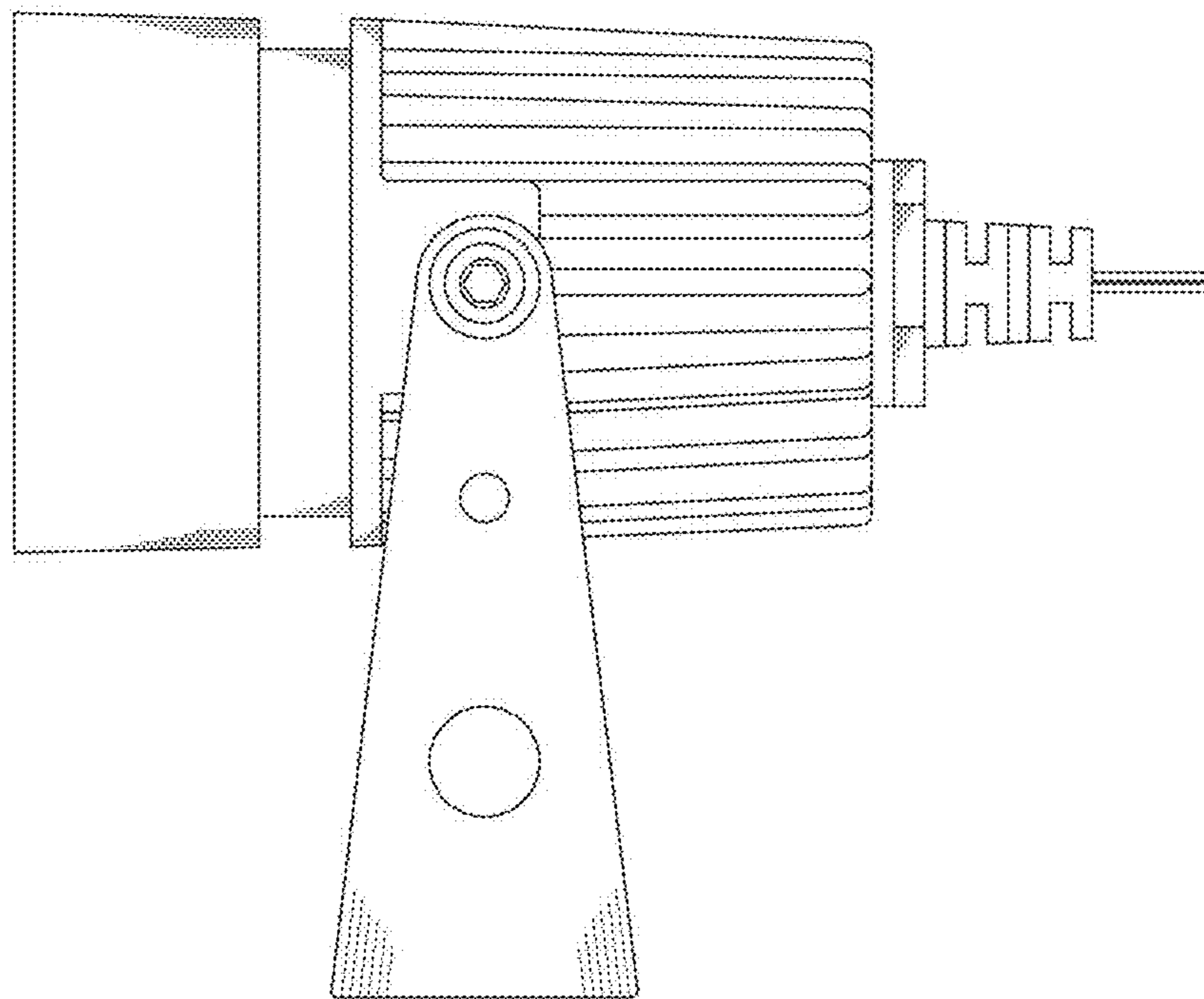


FIG.5

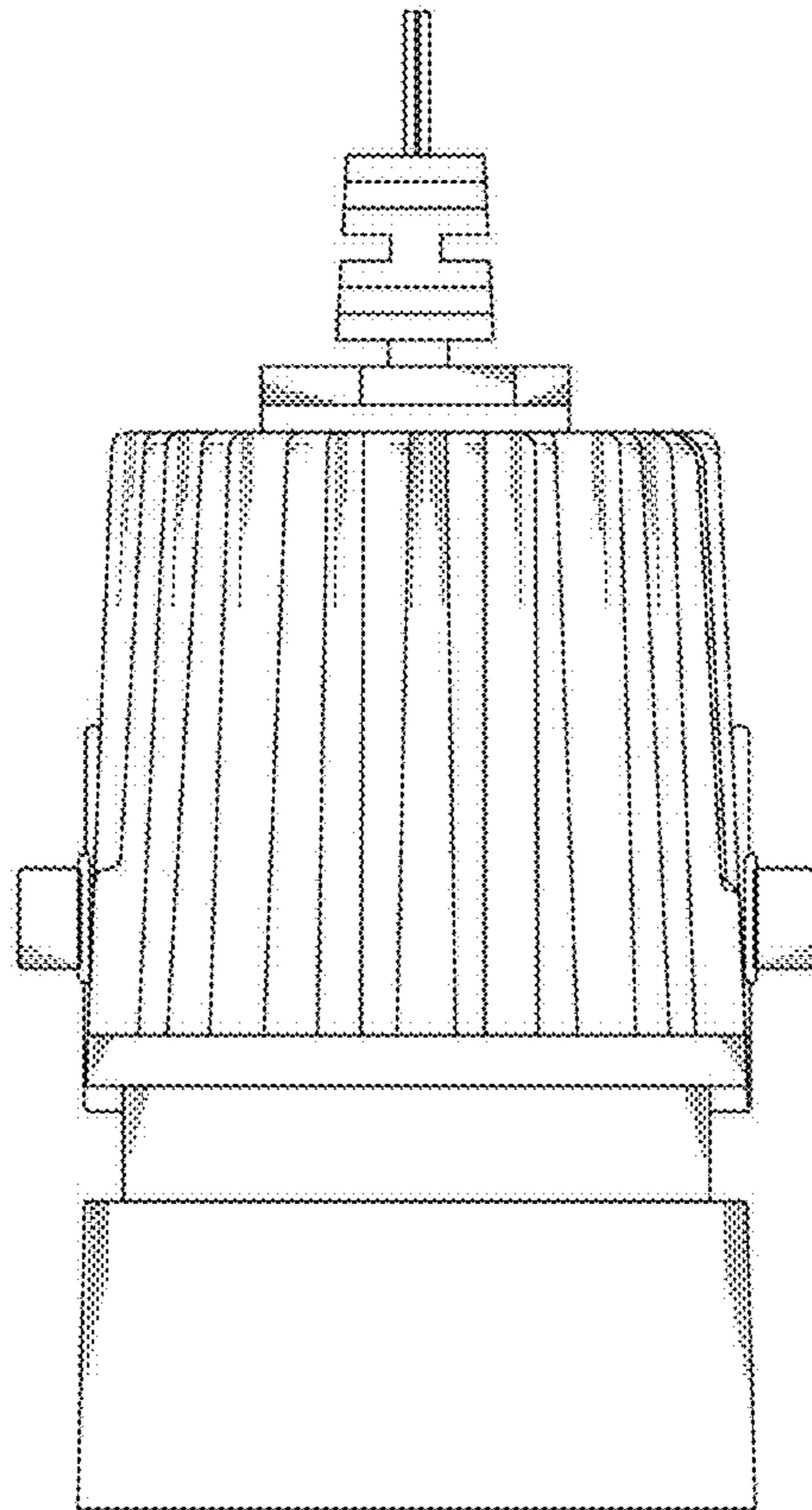


FIG.6

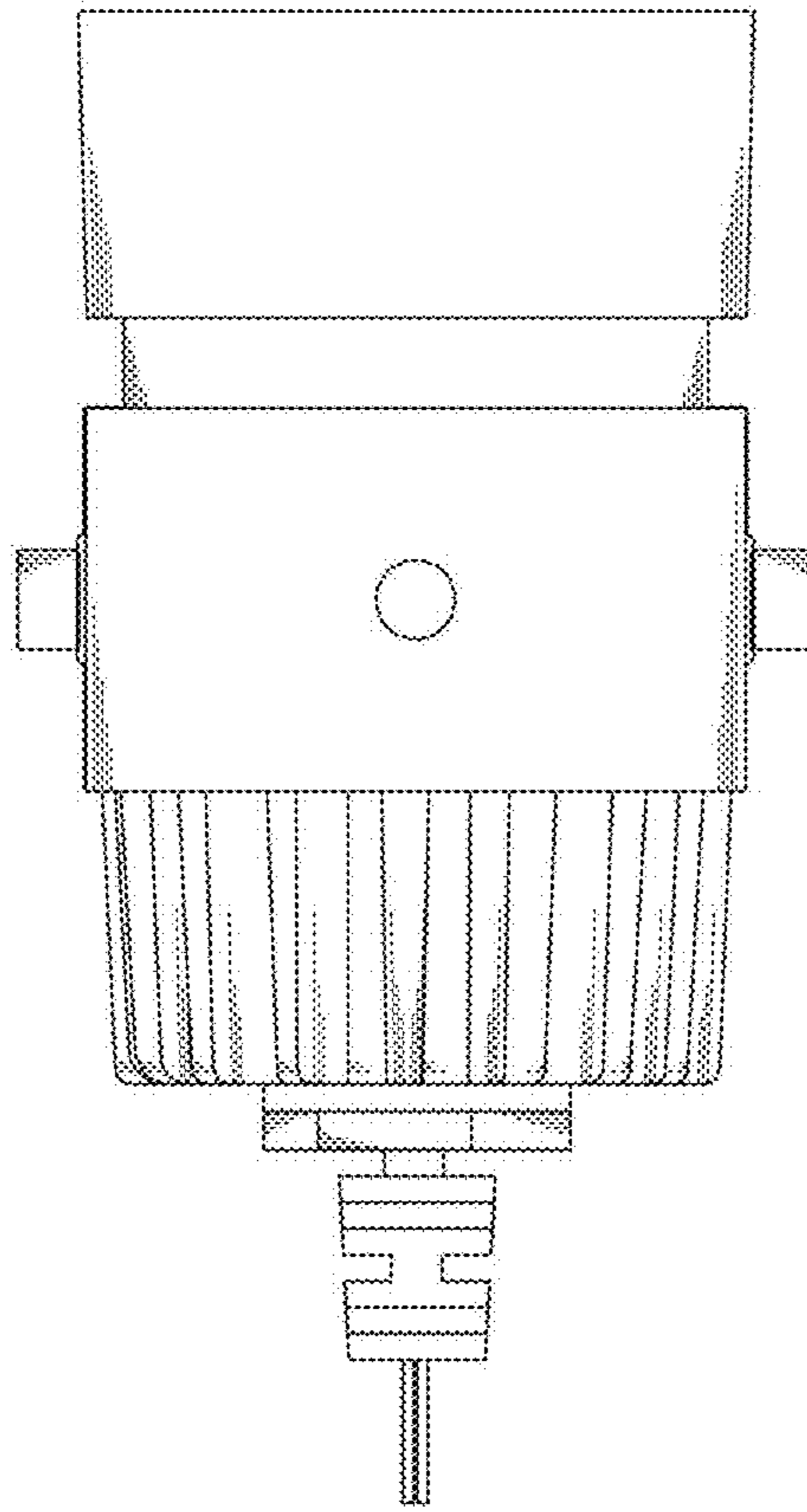


FIG.7