



US00D825828S

(12) **United States Design Patent**
Reynolds

(10) **Patent No.:** **US D825,828 S**

(45) **Date of Patent:** **** Aug. 14, 2018**

(54) **LIGHT FIXTURE**

(71) Applicant: **IP Holdings, LLC**, Vancouver, WA (US)

(72) Inventor: **Christopher Reynolds**, Vancouver, WA (US)

(73) Assignee: **HGCI, Inc.**, Las Vegas, NV (US)

(**) Term: **15 Years**

(21) Appl. No.: **29/623,831**

(22) Filed: **Oct. 27, 2017**

Related U.S. Application Data

(63) Continuation of application No. 29/593,770, filed on Feb. 13, 2017, now Pat. No. Des. 804,707, which is (Continued)

(51) **LOC (11) Cl.** **26-05**

(52) **U.S. Cl.**
USPC **D26/118**

(58) **Field of Classification Search**
USPC ... D26/9, 10, 12, 13, 15, 16, 24, 51, 61, 72, D26/76, 80, 81, 85, 86, 88, 90, 113, 118, (Continued)

(56) **References Cited**

U.S. PATENT DOCUMENTS

32,722 A 7/1861 Schmidlin
D46,253 S 8/1914 Kopp
(Continued)

FOREIGN PATENT DOCUMENTS

CA 2034710 8/1991
CA 1314529 3/1993
(Continued)

OTHER PUBLICATIONS

Apollo Horticulture GLRCTAC 6" Air Cool Tube Grow Light Deluxe Glass Cylinder with Hood Reflector, image post date Oct. 15, 2010, site visted Oct. 3, 2014, (online), <http://www.amazon.com/apollo-horticulture-glrectac-cylinder-reflector/dp/b003qkvv04/ref=pd_sbs_lg_5?ie=utf8&refrid=1y9v9qhh4n5vnctjmftr>.

(Continued)

Primary Examiner — Brian N. Vinson

(74) *Attorney, Agent, or Firm* — J. Douglas Wells

(57) **CLAIM**

The ornamental design for a light fixture, as shown and described.

DESCRIPTION

FIG. 1 is a perspective view of a light fixture, as viewed from below, showing my new design;

FIG. 2 is a perspective view of the light fixture shown in FIG. 1, as viewed from above;

FIG. 3 is a left side view of the light fixture shown in FIG. 1;

FIG. 4 is a right side view of the light fixture shown in FIG. 1;

FIG. 5 is a front elevation view of the light fixture shown in FIG. 1;

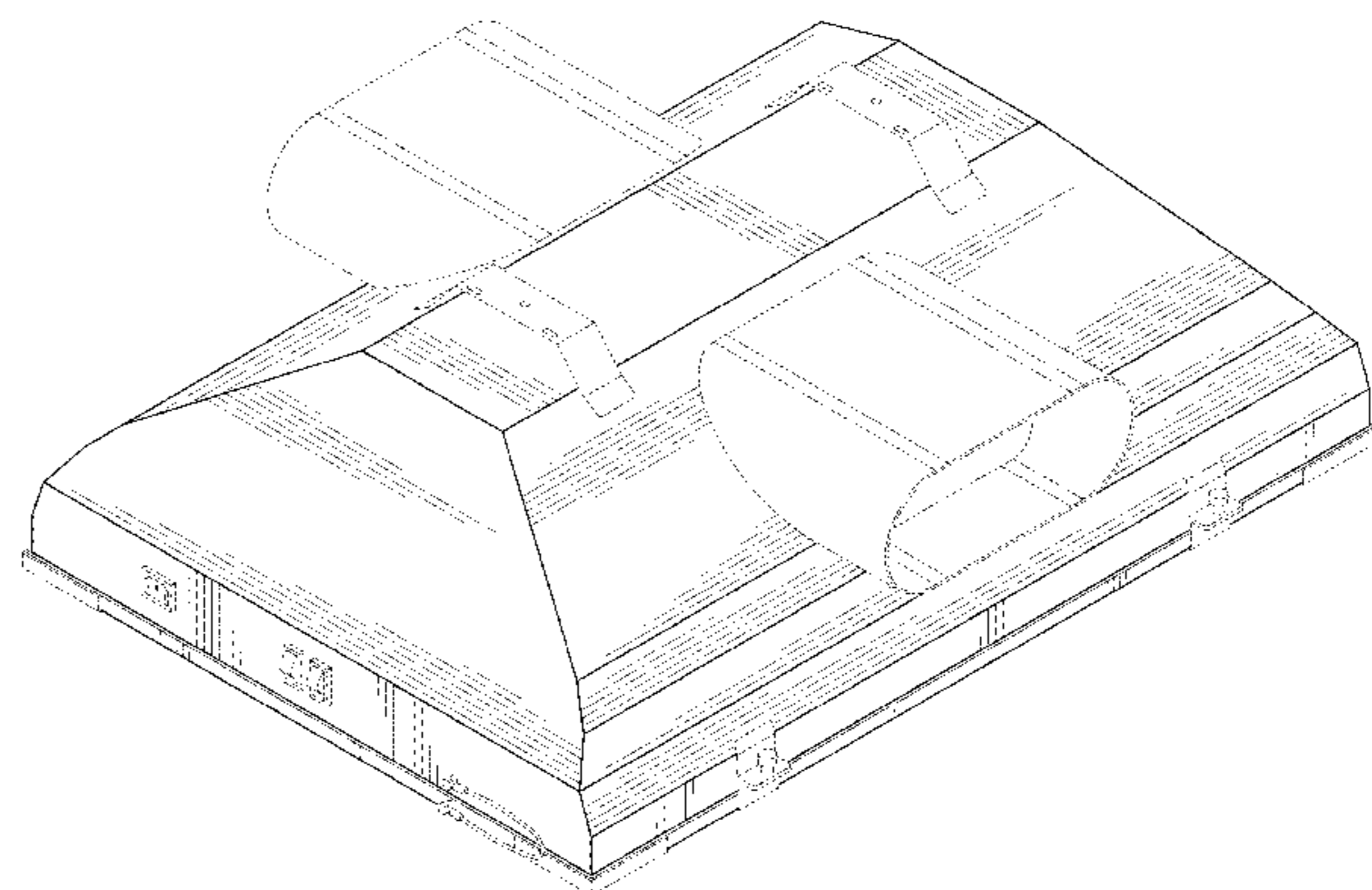
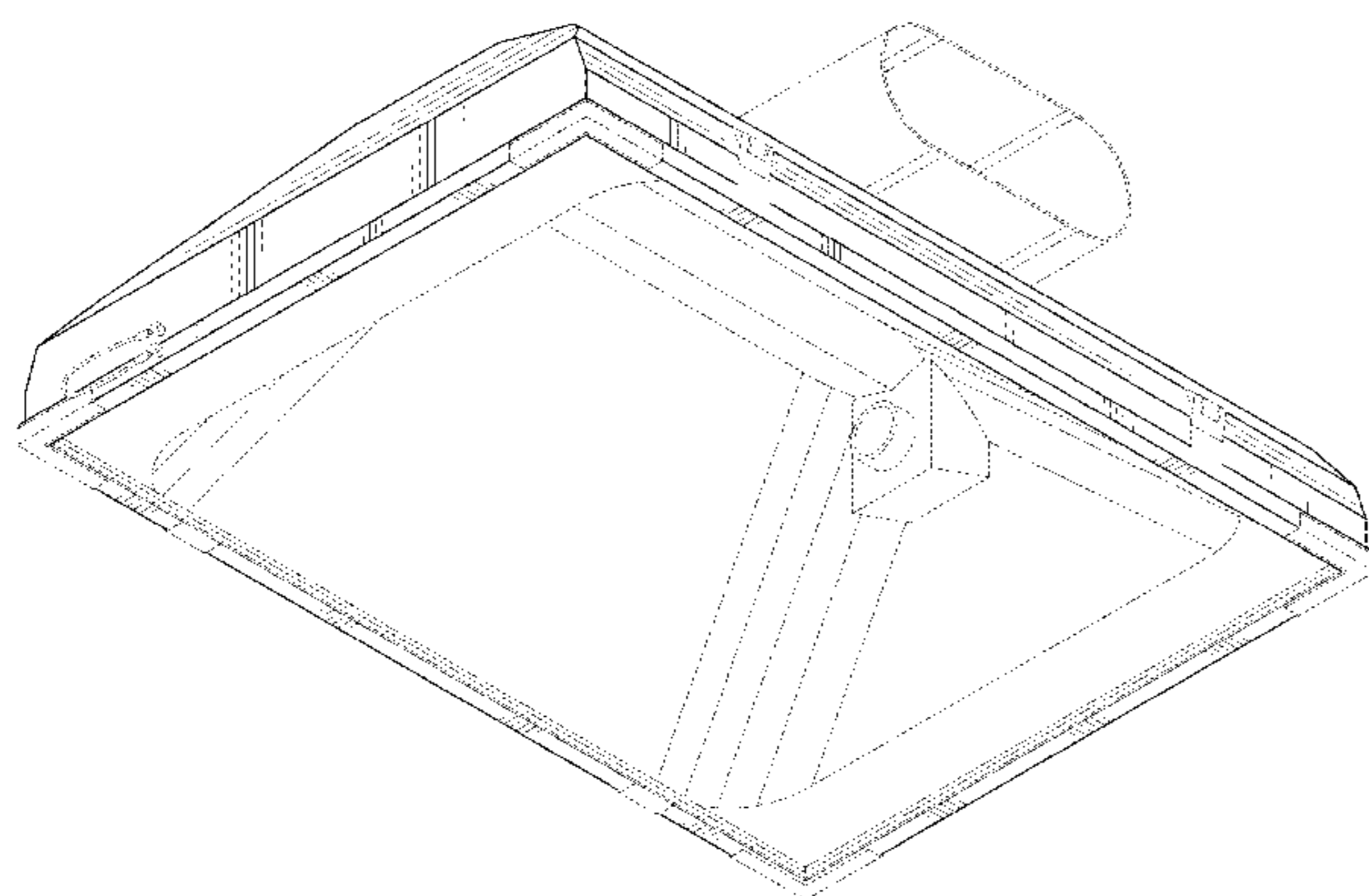
FIG. 6 is a rear elevation view of the light fixture shown in FIG. 1;

FIG. 7 is a top plan view of the light fixture shown in FIG. 1; and,

FIG. 8 is a bottom plan view of the light fixture shown in FIG. 1.

The broken line disclosure shown in the views is understood to represent portions of the article in which the claimed design is embodied, but which form no part of the claimed design. Where a broken line borders a claimed surface, that broken line is understood to represent an unclaimed boundary between the claimed and unclaimed surfaces.

1 Claim, 6 Drawing Sheets



Related U.S. Application Data

a continuation of application No. 29/550,803, filed on
Jan. 7, 2016, now Pat. No. Des. 780,986.

(58) Field of Classification Search

USPC D26/119, 120, 122, 128, 129, 138, 143,
D26/144
CPC B60Q 1/04; B60Q 1/26; F21S 8/026; F21S
8/04; F21V 29/004; F21V 21/02; F21V
21/04; F21V 29/2212; F21V 7/22; F21V
29/83; F21V 37/002; F21V 7/00; F21L
19/00; F23D 11/443; F21Y 2101/02;
A61L 9/037

See application file for complete search history.

(56) References Cited

U.S. PATENT DOCUMENTS

1,410,945 A	3/1922	Mayfield	4,669,033 A	5/1987	Lee
1,547,026 A	7/1925	Canney	D290,662 S	7/1987	Basil
1,798,567 A	3/1931	Wagenhorst	D300,877 S	4/1989	Cyr
D85,049 S	9/1931	Kopp	4,855,884 A	8/1989	Richardson
D85,382 S	10/1931	Guth	4,893,221 A	1/1990	Friedman
1,848,734 A	3/1932	Luce	4,933,821 A	6/1990	Anderson
1,873,310 A	8/1932	Doane	4,939,629 A	7/1990	Glanton
1,930,070 A	10/1933	Zecher	D311,597 S	10/1990	Poot
1,987,705 A	1/1935	Pedersen	4,970,428 A	11/1990	Hayakawa
D106,614 S	10/1937	Waterbury	4,980,809 A	12/1990	Baldwin
2,194,841 A	3/1940	Welch	D316,301 S	4/1991	Michael
D119,800 S	4/1940	Carter	5,006,752 A	4/1991	Eggink
D123,768 S	12/1940	Scribner	5,065,294 A	11/1991	Poot
D125,559 S	3/1941	Biller	5,072,349 A	12/1991	Waniga
2,242,590 A	5/1941	Marcel	D323,897 S	2/1992	Compton
D128,049 S	7/1941	Kurtz	5,088,015 A	2/1992	Baggio
D135,375 S	3/1943	Biller	D329,104 S	9/1992	Dieperink
2,339,100 A	1/1944	Netting	D330,438 S	10/1992	Herst
2,348,617 A	5/1944	Furedy	5,192,129 A	3/1993	Figueroa
D156,014 S	11/1949	Lazerson	5,199,784 A	4/1993	Hempleman
2,492,946 A	1/1950	Barber	5,253,152 A	10/1993	Yang
D174,221 S	3/1955	Hatch	D349,358 S	4/1994	Herst
2,740,883 A	4/1956	Kruger	5,353,746 A	10/1994	Del Rosario
2,741,694 A	4/1956	Wiig	D352,126 S	11/1994	Ruud
2,998,511 A	8/1961	Kingsley Chan	5,440,470 A	8/1995	Ly
3,025,391 A	3/1962	Golko	D457,450 S	10/1995	Deese
D193,802 S	10/1962	Thomsen	5,461,554 A	10/1995	Leonetti
D195,012 S	4/1963	Hoyle	D365,159 S	12/1995	Tinen
3,125,301 A	3/1964	Stotter	5,486,737 A	1/1996	Hrubowchak
3,263,071 A	7/1966	Fabbri	5,510,676 A	4/1996	Cottaar
3,272,978 A	9/1966	Jackson	D373,000 S	8/1996	Brady
3,322,946 A	5/1967	Cooper	5,555,162 A	9/1996	Shemitz
3,420,995 A	1/1969	Dunckel	D374,301 S	10/1996	Kleffman
D213,391 S	2/1969	Bruno	D376,437 S	10/1996	Karlo
3,433,941 A	3/1969	Hall	5,568,680 A	10/1996	Parker
3,675,008 A	7/1972	Hill	5,570,947 A	11/1996	Felland
3,684,883 A	8/1972	Entwistle	D377,993 S	2/1997	Herst
3,701,898 A	10/1972	McNamara, Jr.	5,621,267 A	4/1997	Shaffner
3,755,667 A	8/1973	Price	D383,243 S	9/1997	Fry
3,829,677 A	8/1974	DeLlano	5,698,947 A	12/1997	Choi
3,902,059 A	8/1975	McNamara, Jr.	5,702,179 A	12/1997	Sidwell
3,911,265 A	10/1975	Landrum	D391,632 S	3/1998	Thomas
4,028,542 A	6/1977	McReynolds, Jr.	D396,319 S	7/1998	Sutton
D245,016 S	7/1977	Barr	D397,481 S	8/1998	Schafer
4,037,096 A	7/1977	Brengord	D399,328 S	10/1998	Compton
4,078,169 A	3/1978	Armstrong	D399,329 S	10/1998	Compton
4,175,360 A	11/1979	Mulvey	D399,587 S	10/1998	Compton
4,229,782 A	10/1980	Ruud	D400,289 S	10/1998	Wardenburg
D259,738 S	6/1981	Boschetti	D440,289 S	10/1998	Wardenburg
4,308,473 A	12/1981	McNamara, Jr.	5,816,694 A	10/1998	Ideker
D262,659 S	1/1982	Laltta	D401,006 S	11/1998	Edwards
D266,578 S	10/1982	Moshier	D405,976 S	2/1999	Beall
D268,287 S	3/1983	Boschetti	5,896,004 A	4/1999	Feldman
D270,577 S	9/1983	DeVos	5,924,789 A	7/1999	Thornton
4,446,506 A	5/1984	Larson	5,932,955 A	8/1999	Berger
4,531,180 A	7/1985	Hernandez	5,938,317 A	8/1999	Thornton
4,616,293 A	10/1986	Baliozian	D415,304 S	10/1999	Brown
			5,983,564 A	11/1999	Stragnola
			5,987,697 A	11/1999	Song
			5,999,943 A	12/1999	Nori
			D418,626 S	1/2000	Herst
			D419,248 S	1/2000	Lyons
			6,024,468 A	2/2000	Kassay
			6,042,250 A	3/2000	Stragnola
			6,051,927 A	4/2000	Graser
			6,053,624 A	4/2000	Cronk
			D425,237 S	5/2000	Scott
			D425,652 S	5/2000	Brok
			D426,010 S	5/2000	Compton
			6,061,690 A	5/2000	Nori
			6,065,849 A	5/2000	Chen
			6,070,173 A	5/2000	Huber
			6,076,944 A	6/2000	Maranon
			6,079,851 A	6/2000	Altman
			D428,516 S	7/2000	Reo
			6,094,919 A	8/2000	Bhatia
			6,111,739 A	8/2000	Wu
			6,152,579 A	11/2000	Reed
			D439,008 S	3/2001	Kim

(56)

References Cited

U.S. PATENT DOCUMENTS

6,210,025 B1	4/2001	Schmidt	7,534,011 B2	5/2009	Townsley	
6,230,497 B1	5/2001	Morris	D595,894 S	7/2009	Verfueth	
D443,198 S	6/2001	Snyder	D602,625 S	10/2009	Santoro	
D443,949 S	6/2001	Dimonte	D603,087 S	10/2009	Mo	
6,247,830 B1	6/2001	Winnett	7,617,057 B2	11/2009	May	
D445,943 S	7/2001	Littman	D605,342 S	12/2009	Chung	
6,257,735 B1	7/2001	Baar	D608,490 S	1/2010	Chung	
6,267,483 B1	7/2001	Hembery	7,641,367 B2	1/2010	Hargreaves	
D447,272 S	8/2001	Smith	7,654,702 B1	2/2010	Ding	
6,279,012 B1	8/2001	Sexton	D611,183 S	3/2010	Duarte	
6,299,327 B1	10/2001	Camarota	D613,900 S	4/2010	Hargreaves	
D452,559 S	12/2001	Schonberger	D614,801 S	4/2010	Collins	
6,343,984 B1	2/2002	Langdon	7,722,228 B2	5/2010	Broer	
6,371,630 B1	4/2002	Unger	D617,028 S	6/2010	Verfueth	
D456,927 S	5/2002	Russello	D620,190 S	7/2010	Chung	
D456,928 S	5/2002	Russello	D621,993 S	8/2010	Jong	
D456,938 S	5/2002	Wardenburg	7,771,086 B2	8/2010	Goverde	
D459,825 S	7/2002	Field	D628,335 S	11/2010	Hyland	
6,488,387 B2	12/2002	Wardenburg	7,854,534 B2	12/2010	Liu	
D469,564 S	1/2003	Brok	D632,419 S	2/2011	Ng	
6,527,422 B1	3/2003	Hutchison	D633,247 S	2/2011	Kong	
6,548,948 B1	4/2003	Muessli	D633,640 S	3/2011	Wauters	
6,595,662 B2	7/2003	Wardenburg	D634,060 S *	3/2011	Wardenburg	D26/118
6,601,972 B2	8/2003	Sei	D634,240 S	3/2011	Junkeer	
6,658,652 B1	12/2003	Alexander	D634,468 S	3/2011	Hargreaves	
6,679,619 B2	1/2004	Saieva	D634,469 S *	3/2011	Hargreaves	D26/118
D486,593 S	2/2004	Griffin	D637,162 S	5/2011	Bridgman	
6,688,759 B1	2/2004	Hadjimichael	D637,341 S	5/2011	Wardenburg	
6,709,131 B1	3/2004	Herst	D637,752 S	5/2011	Mekhtarian	
6,729,383 B1	5/2004	Cannell	D640,404 S	6/2011	Chipperfield	
6,783,263 B1	8/2004	Cronk	7,959,331 B2	6/2011	Ho	
D496,121 S	9/2004	Santoro	D641,100 S	7/2011	Li	
D499,504 S	12/2004	Meyer	7,972,044 B2	7/2011	Burkhauser	
D499,505 S	12/2004	Benensohn	D644,185 S	8/2011	Hargreaves	
D504,343 S	4/2005	Ek	7,987,632 B2	8/2011	May	
6,885,134 B2	4/2005	Kurashima	8,018,630 B2	9/2011	Herloski	
6,908,212 B2	6/2005	Schultz	8,038,318 B2	10/2011	Plunk	
7,011,424 B1	3/2006	Poulson	D648,652 S	11/2011	Hawkins	
7,083,309 B2	8/2006	Chan	D649,685 S	11/2011	Trzesniowski	
7,101,060 B2	9/2006	Oppenheimer	D650,515 S	12/2011	Bradley	
7,131,753 B1	11/2006	Edwards, Jr.	D650,935 S	12/2011	Beghelli	
7,156,539 B2	1/2007	Cronk	D653,376 S	1/2012	Kong	
7,175,309 B2	2/2007	Craw	8,113,696 B2	2/2012	Striebel	
D542,460 S	5/2007	Hargreaves	D655,403 S	3/2012	Zakula	
D543,652 S	5/2007	Hargreaves	D657,748 S	4/2012	Hargreaves	
D543,654 S	5/2007	Hargreaves	D660,252 S	5/2012	Hargreaves	
D543,655 S	5/2007	Hargreaves	D661,370 S	6/2012	Imajo	
D544,982 S	5/2007	Hargreaves	D661,833 S	6/2012	Imajo	
7,213,948 B2	5/2007	Hein	8,209,912 B2	7/2012	Hargreaves	
D544,136 S	6/2007	Hargreaves	8,215,799 B2	7/2012	Vanden Eynden	
D544,138 S	6/2007	Hargreaves	D667,584 S	9/2012	Beghelli	
D544,139 S	6/2007	Hargreaves	D668,370 S	10/2012	Guercio	
D544,626 S	6/2007	Hargreaves	D671,259 S	11/2012	Chen	
D544,980 S	6/2007	Hargreaves	D672,908 S	12/2012	Wilcox	
D544,981 S	6/2007	Hargreaves	D672,911 S	12/2012	Mayfield, III	
D544,983 S	6/2007	Hargreaves	D673,324 S	12/2012	Mayfield	
D544,984 S	6/2007	Hargreaves	8,334,640 B2	12/2012	Reed	
D544,985 S	6/2007	Hargreaves	D675,369 S	1/2013	Michaud	
D544,987 S	6/2007	Hargreaves	8,348,481 B2	1/2013	Chang	
D544,994 S	6/2007	Hargreaves	D675,772 S	2/2013	Tran	
D544,995 S	6/2007	Hargreaves	8,371,726 B2	2/2013	Collins	
D545,460 S	6/2007	Mason, II	D678,597 S	3/2013	Lehman	
D545,484 S	6/2007	Hargreaves	D678,599 S	3/2013	Boyer	
D545,485 S	6/2007	Hargreaves	D679,848 S	4/2013	Pickard	
D545,990 S	7/2007	Hargreaves	D683,064 S	5/2013	Tuck	
D545,994 S	7/2007	Hargreaves	D745,993 S	7/2013	Reynolds	
D545,996 S	7/2007	Hargreaves	8,505,224 B2	8/2013	Huang	
D549,869 S	8/2007	Ward	D689,238 S	9/2013	Halsey	
D553,781 S	10/2007	Pickard	D690,875 S	10/2013	McKenzie	
7,296,914 B1	11/2007	Russello	D693,959 S	11/2013	Boyer	
7,360,927 B2	4/2008	Oka	D697,663 S	1/2014	Speier	
D569,024 S	5/2008	Redfern	D698,074 S	1/2014	Hargreaves	
D572,858 S	7/2008	Santoro	D698,075 S	1/2014	Klus	
7,445,363 B2	11/2008	Vanden Eynden	D689,986 S	2/2014	Reynolds	
7,524,090 B2	4/2009	Hargreaves	D698,986 S *	2/2014	Reynolds	D26/118
			D698,987 S	2/2014	Stanley	
			D699,386 S	2/2014	Park	
			D702,827 S	4/2014	Mase	
			8,702,283 B2	4/2014	Bradley, Jr.	

(56)

References Cited

U.S. PATENT DOCUMENTS

D705,474 S	5/2014	Philips	D756,026 S	5/2016	Reynolds
D705,974 S	5/2014	Blessitt	D757,323 S	5/2016	Reynolds
8,723,086 B2	5/2014	Mcmahan	D757,326 S	5/2016	Reynolds
D707,385 S	6/2014	Wardenburg	D757,346 S *	5/2016	Stanley D26/118
D708,390 S	7/2014	Roos	9,335,038 B2	5/2016	Stanley
D710,528 S	8/2014	Wardenburg	9,366,947 B2	6/2016	Miyata
8,801,235 B2	8/2014	Yurich	D762,320 S	7/2016	Reynolds
D713,953 S	9/2014	Jepson	D765,306 S *	8/2016	Wardenburg D26/118
D714,988 S	10/2014	Park	D766,756 S	9/2016	Franc
D715,994 S	10/2014	Klus	9,451,743 B2	9/2016	Koerner
D716,995 S	11/2014	Zhu	D769,513 S	10/2016	Reynolds
D717,487 S	11/2014	Guzzini	D769,514 S	10/2016	Reynolds
D717,636 S	11/2014	Stanley	D770,079 S	10/2016	Stanley
D720,488 S	12/2014	Toyohisa	D770,082 S	10/2016	Reynolds
D720,505 S	12/2014	Kersten	D770,670 S	11/2016	Reynolds
8,905,575 B2	12/2014	Durkee	D770,671 S	11/2016	Reynolds
D720,876 S	1/2015	Havertield	D771,301 S	11/2016	Stanley
D721,844 S	1/2015	Lay	D771,304 S	11/2016	Goltche
D722,654 S	2/2015	Martone	D773,107 S	11/2016	Stanley
D725,820 S	3/2015	Hargreaves	D774,234 S	12/2016	Plourde
8,967,821 B2	3/2015	Pickard	D775,406 S	12/2016	Hargreaves
D726,359 S	4/2015	Grigore	D775,760 S	1/2017	Reynolds
8,998,473 B1	4/2015	Anderson	9,551,482 B2	1/2017	Seward
9,016,892 B1	4/2015	Scribante	D780,985 S	3/2017	Stanley
9,016,907 B2	4/2015	Stanley	D780,986 S	3/2017	Reynolds
D728,848 S	5/2015	Reyes	D781,492 S	3/2017	Reynolds
D729,435 S	5/2015	Arndt	D783,887 S	4/2017	Stanley
D730,556 S	5/2015	Toyohisa	D783,888 S	4/2017	Reynolds
D725,819 S	6/2015	Reynolds	D786,477 S	5/2017	Lauderdale
D731,103 S	6/2015	Wilke	D786,488 S	5/2017	Reynolds
D731,109 S	6/2015	Wardenburg	D786,489 S	5/2017	Stanley
D731,701 S	6/2015	Hargreaves	D786,490 S	5/2017	Stanley
D732,233 S	6/2015	Reynolds	D786,491 S	5/2017	Reynolds
D732,234 S	6/2015	Rashidi Doust	D792,635 S	7/2017	Reynolds
D732,235 S	6/2015	Reynolds	D793,616 S	8/2017	Reynolds
D732,236 S	6/2015	Reynolds	D796,727 S	9/2017	Reynolds
D733,347 S	6/2015	Dungan	D796,728 S	9/2017	Reynolds
9,052,075 B2	6/2015	Demuyneck	D797,350 S	9/2017	Reynolds
D733,952 S	7/2015	Lay	D797,353 S	9/2017	Stanley
D733,960 S	7/2015	Howe	9,750,199 B2	9/2017	Stanley
D734,534 S	7/2015	Howe	9,752,766 B2	9/2017	Stanley
D735,391 S	7/2015	Blessitt	D802,826 S	11/2017	Stanley
D735,401 S	7/2015	Clements	D802,828 S	11/2017	Stanley
D736,450 S *	8/2015	Reynolds D26/118	D802,829 S	11/2017	Stanley
D737,498 S	8/2015	Stanley	D802,830 S	11/2017	Stanley
9,110,209 B2	8/2015	Blessitt	2002/0073285 A1	6/2002	Butterworth
D738,031 S	9/2015	Martins	2002/0141195 A1	10/2002	Wardenburg
D739,595 S	9/2015	Reynolds	2003/0031011 A1	2/2003	Miller
9,127,826 B2	9/2015	Boyer	2003/0191783 A1	10/2003	Wolczko
D740,486 S	10/2015	Reynolds	2004/0240214 A1	12/2004	Whitlow
D740,996 S	10/2015	Tragatschnig	2005/0117333 A1	6/2005	Yoshida
D747,029 S *	1/2016	Reynolds D26/118	2005/0160481 A1	7/2005	Todd
D747,538 S	1/2016	Reynolds	2005/0233691 A1	10/2005	Horton
D747,825 S	1/2016	Reynolds	2006/0231081 A1	10/2006	Kirakosyan
D747,849 S	1/2016	Reynolds	2006/0232984 A1	10/2006	Schuknecht
D747,923 S	1/2016	Cornu	2006/0282457 A1	12/2006	Williams
D748,319 S	1/2016	Johnson	2007/0051321 A1	3/2007	Chang
D748,320 S	1/2016	Johnson	2007/0070633 A1	3/2007	Eynden
D748,847 S	1/2016	Johnson	2007/0228993 A1	10/2007	Stuer
D748,850 S	1/2016	Johnson	2007/0246631 A1	10/2007	Brown
D748,849 S *	2/2016	Stanley D26/118	2007/0282806 A1	12/2007	Hoffman
D749,773 S	2/2016	Waible	2008/0059799 A1	3/2008	Scarlata
D750,312 S	2/2016	Reynolds	2008/0117617 A1	5/2008	Hargreaves
D750,313 S	2/2016	Reynolds	2008/0130304 A1	6/2008	Rash
D750,316 S	2/2016	Reynolds	2008/0205030 A1	8/2008	Hargreaves
9,255,690 B2	2/2016	Dimitriadis	2008/0205071 A1	8/2008	Townsley
D750,831 S	3/2016	Clements	2008/0212326 A1	9/2008	Chon
D751,244 S	3/2016	Reynolds	2008/0178957 A1	11/2008	Pickard
D751,245 S *	3/2016	Stanley D26/118	2008/0278950 A1	11/2008	Pickard
D751,247 S	3/2016	Reynolds	2009/0166250 A1	5/2009	Hargreaves
9,279,553 B1	3/2016	Scribante	2009/0231840 A1	9/2009	Boehme
D753,654 S	4/2016	Eastwood	2009/0262540 A1	10/2009	Hargreaves
9,310,037 B2	4/2016	Cercone	2009/0276478 A1	11/2009	Soman
D756,016 S	5/2016	Hargreaves	2009/0310373 A1	12/2009	Burkhauser
D756,023 S	5/2016	Hoffer	2009/0316404 A1	12/2009	Mo
			2009/0323335 A1	12/2009	Yang
			2010/0214789 A1	8/2010	Hawkes
			2010/0238661 A1	9/2010	Pfund
			2010/0277908 A1	11/2010	Hu

(56)

References Cited

U.S. PATENT DOCUMENTS

2010/0277929	A1	11/2010	Hargreaves
2010/0295468	A1	11/2010	Pedersen
2010/0302768	A1	12/2010	Collins
2011/0169412	A1	7/2011	Yurich
2011/0203096	A1	8/2011	Hargreaves
2011/0259665	A1	10/2011	Morgan
2012/0051041	A1	3/2012	Edmond
2012/0092859	A1	4/2012	Gregoris
2012/0145699	A1	6/2012	McMahan
2012/0212883	A1	8/2012	Hargreaves
2012/0230035	A1	9/2012	Bradley, Jr.
2012/0302768	A1	11/2012	Janka et al.
2013/0083539	A1	1/2013	Dimitriadis
2013/0077329	A1	3/2013	Hessling
2013/0155685	A1	6/2013	Stanley
2013/0242573	A1	9/2013	Petrsocki
2013/0250567	A1	9/2013	Edmond
2014/0378283	A1	12/2014	Qiu
2015/0023022	A1	1/2015	Stanley
2015/0098215	A1	4/2015	Torabifard
2015/0252992	A1	9/2015	Stanley
2015/0252993	A1	9/2015	Stanley
2015/0252994	A1	9/2015	Stanley
2015/0260381	A1	9/2015	Verfuether
2017/0211801	A1	7/2017	Stanley

FOREIGN PATENT DOCUMENTS

EP	0325003	7/1989
EP	D440274	8/1991
WO	2002063210	8/2002
WO	2003060379	7/2003
WO	2008018000	2/2008
WO	2009096775	8/2009
WO	2011119451	9/2011

OTHER PUBLICATIONS

Apollo Horticulture GLRLS24 6" Air Cooled Hydroponic Grow Light Glass Reflector Hood, image post date Oct. 15, 2010, site visited Oct. 3, 2014, (online), <http://www.amazon.com/apollo-horticulture-GLRLS24-hydroponic-reflector/dp/B00BMVK8HG/ref=cm_cd_ql_qh_dp_i>.

Adjustable Reflector, image post date Apr. 23, 2012, site visited Sep. 23, 2015, http://web.archive.org/web/2012043260757/http://hydroponics-products.en.alibaba.com/product/519225678-213056444/adjustable_reflector_grow_light_hydroponics_greenhouse_horticulture_reflector_hood.html.

Agrotech Magnum Reflector, image post date Feb. 5, 2012, site visited Oct. 31, 2014, www.hydroponics.net/136580.

Cree CR22, image post date Apr. 28, 2011, site visited Nov. 15, 2014, <http://ledsmagazine.com/content/dam/leds/migrated/objects/news/8/4/19/cree204272011.jpg>.

ZR series High Efficacy Troffer, image post date Apr. 13, 2012, site visited Oct. 31, 2014, www.cree.com/lighting/products.

Grow Lights Home Depot: Find many types of grow lights for your plant, published Dec. 22, 2012, online. Site visited Jun. 25, 2014. [Http://besthomedecorfurniture.com/gardening-d%C3%A9cor/grow-lights-home-depot-few-things-to-consider-when-buying-grow-lighting-plants-online.html](http://besthomedecorfurniture.com/gardening-d%C3%A9cor/grow-lights-home-depot-few-things-to-consider-when-buying-grow-lighting-plants-online.html).

LED Grow Light Comparison Test Review, Youtube.com, published Jun. 29, 2012, online. Site visited Jun. 25, 2014. www.youtube.com/watch?v=f-8oy0qbgrs.

Illuminator Pro-Series Hybrid 350W, wordpress.com, published Dec. 22, 2010, online, site visited Jun. 25, 2014. <http://growsetup.wordpress.com/category/grow-lights/>.

California Lightworks New SolarStorm 440W LED Grow Light with UVB, hydrobuilder.com, online. Site visited Jun. 25, 2014. http://hydrobuilder.com/solarstorm-440w-led-grow-light-with-uvb.html?dzid=strands_CLW-SS-440.

2013 Sunlight Supply Cataog, Issuuu.com, published Aug. 1, 2013, online. Site visited Feb. 2, 2015. http://issuu.com/sunlightsupply/docs/2013_sunlightproductcatalog/49.

Pages 29 and 54 from 2014-2015 dealer catalog showing and describing Super Sun DE reflector published by Sunlight Supply, Inc. 2014.

Dominator XXXL Non AC Reflector pack of 3 Spec Sheet, GreenTreesHydroponics.com, date available Mar. 12, 2014, online. Site visited Feb. 3, 2015, <https://www.hydroponics.net/i/141477>.

Low Rider Air-Cooled Reflector—TinEye, image post date Oct. 11, 2012, site visited Oct. 1, 2015, www.tineye.com/search/1b0e187c5ed9e4e9cfb55d0472271385a2c0e88/?pluginver.

OG Air Cooled Parabolic Reflector Only—Make the Most of Your Grow Light, GroWell Hydroponics, <http://www.growell.co.uk/og-air-cooled-parabolic-reflector-only.html>, pp. 1-2, accessed Aug. 26, 2014.

Air Resistance: Distinguishing Between Laminar and Turbulent Flow, www.docstoc.com, Dec. 29, 2010, p. 1-6.

Sun Systems LEC 630 Light Emitting Ceramic Fixture, Spec Sheet for 906217—Sun System LEC 630 120 Volt w/ 3100 K Lamps, www.sunlightsupply.com/shop/bycategory/led-lighting/sun-system-lec-630-light-emitting-ceramic-fixture, online, updated Feb. 9, 2015. Site visited Mar. 30, 2015, p. 1.

Mohri, Mineko, International Preliminary Report on Patentability for PCT/US2014/014959, dated Jan. 19, 2016.

A3V Reflector, Titaness Light Shop, www.titanesslightshop.com/products-page/reflectors/a3v-reflector, online. Site visited Jan. 14, 2015.

32V Grow Light Reflector, Titaness Light Shop, www.titanesslightshop.com/products-page/reflectors/g2v-grow-light-reflector, online. Site visited Jan. 14, 2015.

1000 Watt Galaxy Grow Amp Double Ended Grow Light Packages, image post date Jan 30, 2014, site visited Jul. 8, 2016, <<http://www.ehydroponics.com/100-watt-galaxy-grow-amp-double-ended-grow-light-package.html>>.

2009-10-watt-light-set—TinEye, image post date May 23, 2012, site visited Jul. 8, 2016, <<https://www.tineye.com/search/2de39cf51f7a031139a80ce555e2f30d0abd5216/>>.

Square 10 Watt LED Grow Light, image post date Aug. 1, 2011, site visited Jul. 8, 2016, <<http://www.dhgate.com/store/product/hydroponic-vegetable-10-watt-led-grow-light/216755031.html>>.

Sun System 630 Ceramic Metal Halide 120v Specifications, GrowersHouse.com, update on Sep. 9, 2014, Online. Site visited Feb. 3, 2015. <http://growershouse.com/aitdownloadablefiles/download/aithle/aithle_id/583/>.

Growlite HDE 600W-1000W Double Ended Lamp Concealed Vacuum Airflow Technology, Indoor Grow Science, site visited Aug. 3, 2016, <<http://www.indoorgrowscience.net/downloads/specs/hde.pdf>>.

Sun Systems LEC 315—Reviews?, rollitup.com forum, published Oct. 23, 2013, online. Visited Nov. 8, 2016. <<http://rollitup.org/t/sun-sytems-lec-315-reviews.742794>>.

Sun System LEC 315 120v Light Emitting Ceramic Metal Halide Fixture w/ Free Ratchet Light Hangers, Amazon.com, earliest review of Jul. 2, 2014, online. Visited Nov. 8, 2016 <<https://www.amazon.com/sun-system-emitting-ceramic-fixture/dp/B00HBCV8TM>>.

LEC 315 Watt Grow Light Great Yield Reports!, YouTube.com, published Mar. 31, 2014, online. Visited Nov. 8, 2016. <<https://www.youtube.com/watch?v=QqcoW19KnUk>>.

Air Cooled Grow Lights, greensteamhydroponics.com, published May 24, 2014, online. Site visited Nov. 16, 2016. <http://web.archive.org/web/20140524103407/http://www.greensteamhydroponics.com/aircooled-reflector-range-from-greenstream-hydroponics/prod_699.html>.

AplusChoice-Hydroponics, image post date Dec. 2, 2014, site visited Jul. 13, 2017, (online), <https://www.tineye.com/search/6589596c8738268de70acceca20d64855d0f1d2/?sort=crawal_date&order=asc>.

(56)

References Cited

OTHER PUBLICATIONS

Power 600 wat HPS MH Grow Light Digital Dimm System Indoor Garden Set, image post date 2013, site visited Jul. 2013/2017, (online), <https://bidjapon.com/item_View_aspx?itemId=150928769289>.

* cited by examiner

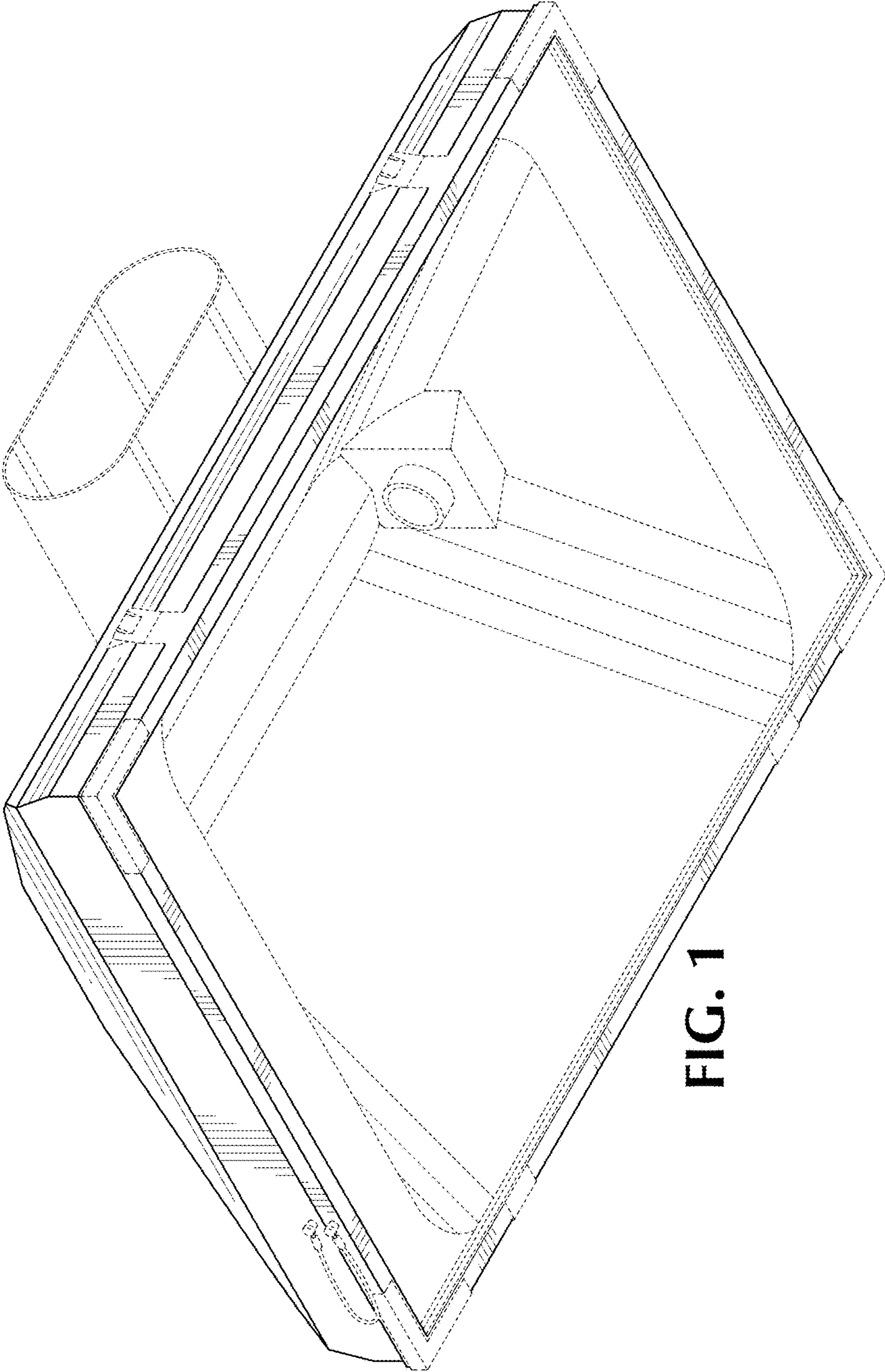
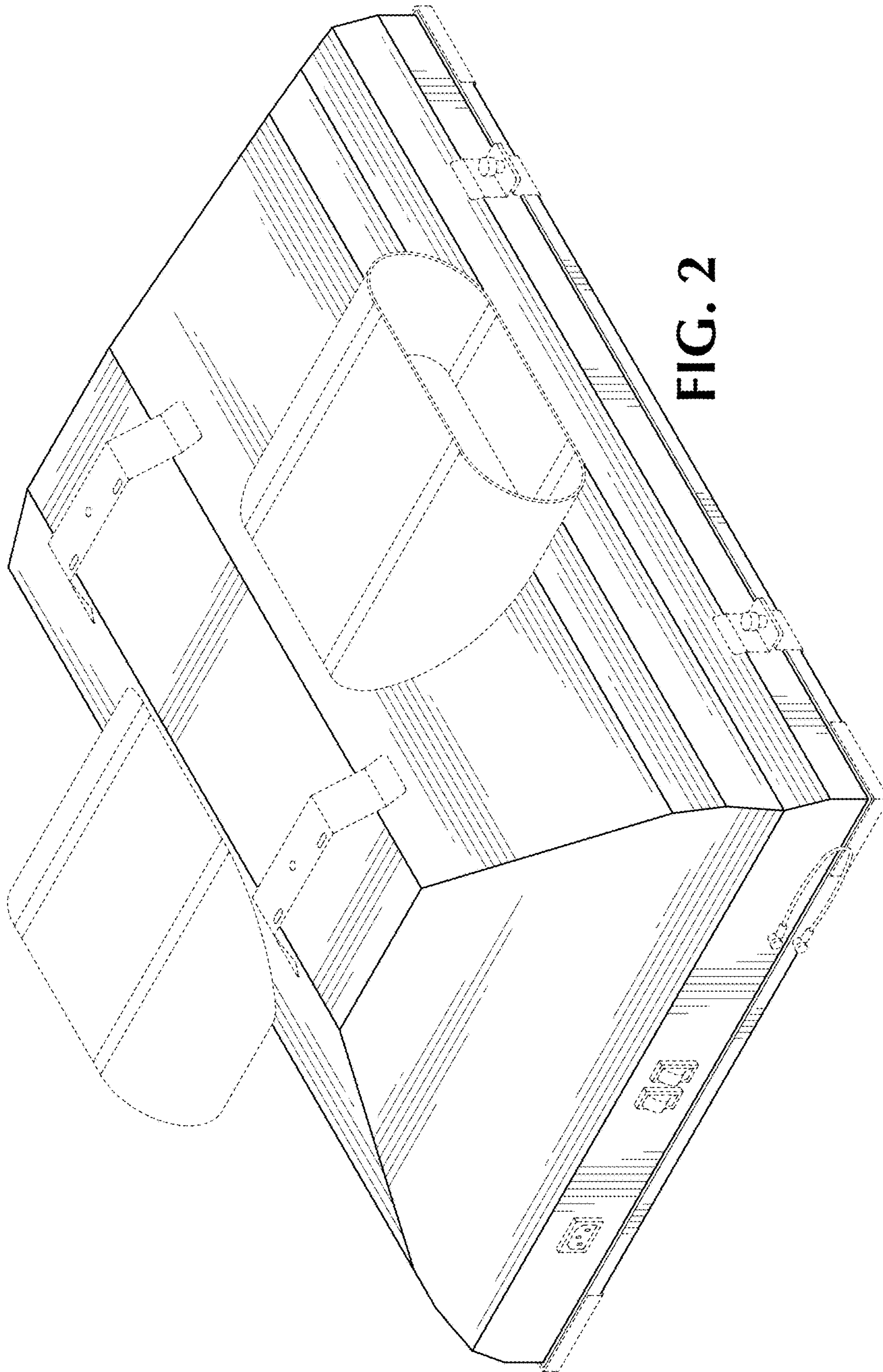


FIG. 1



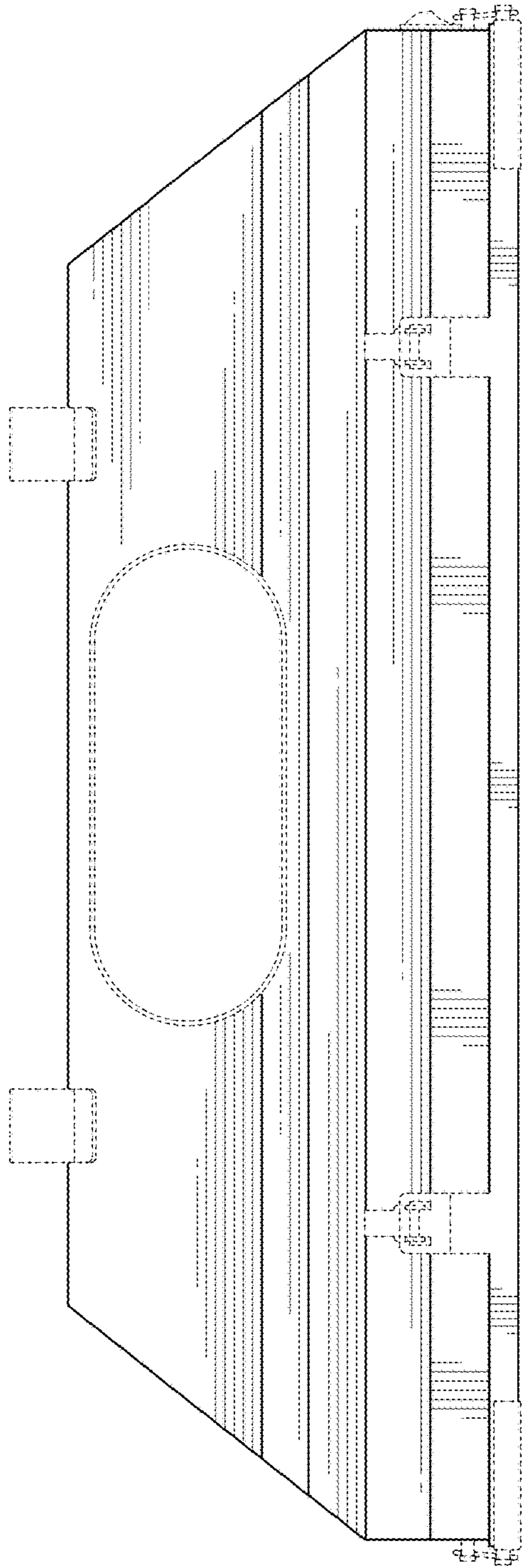


FIG. 3

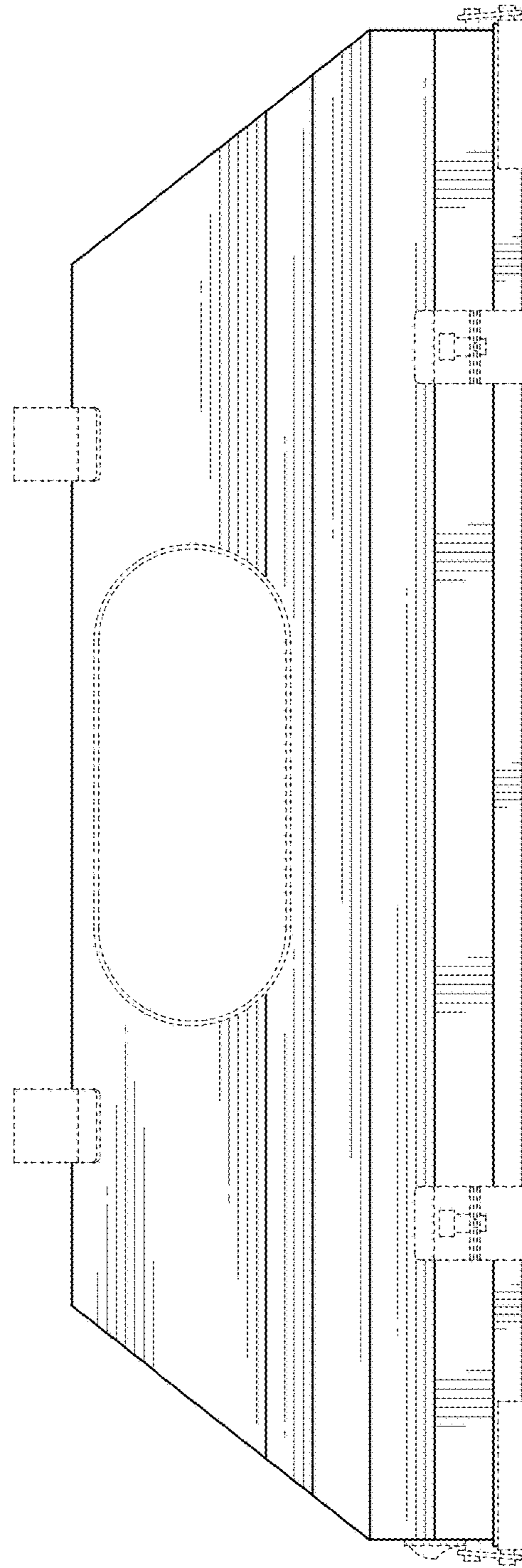


FIG. 4

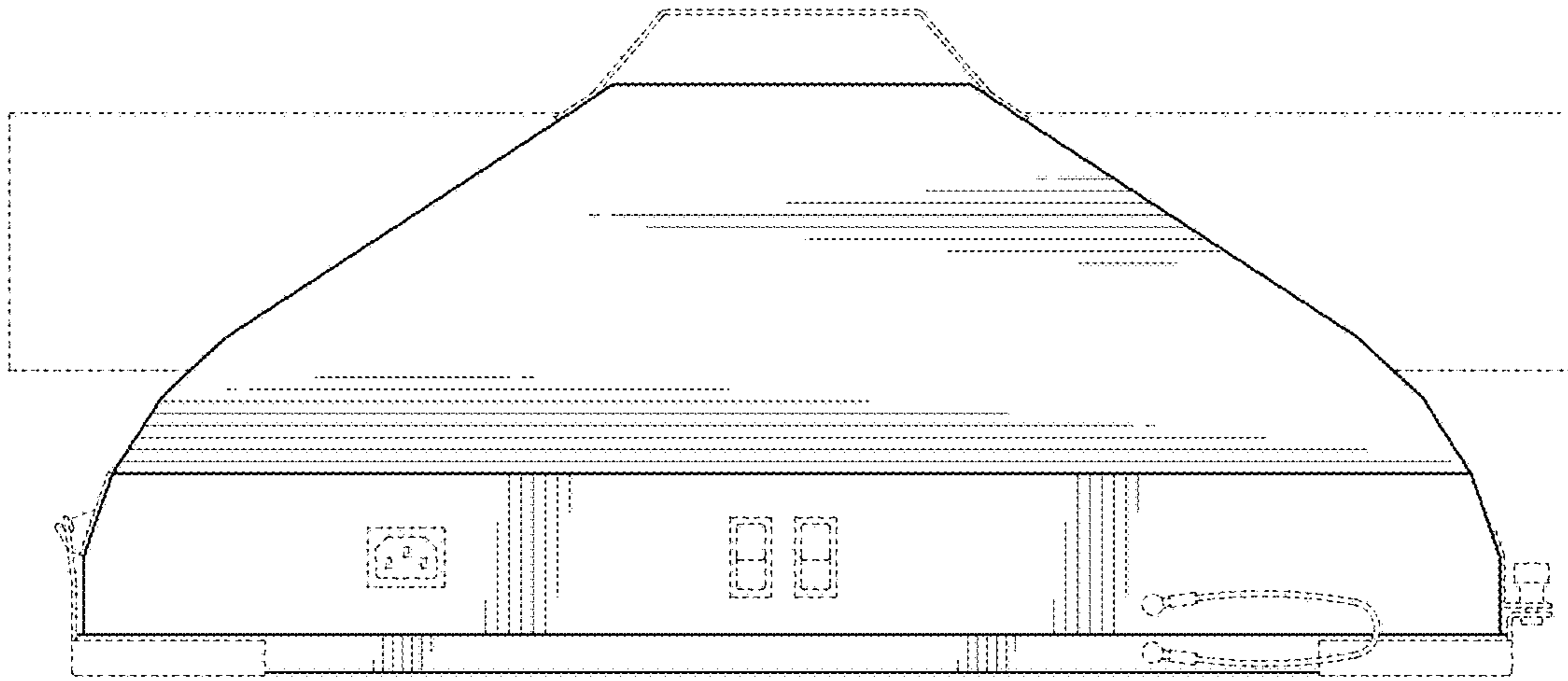


FIG. 5

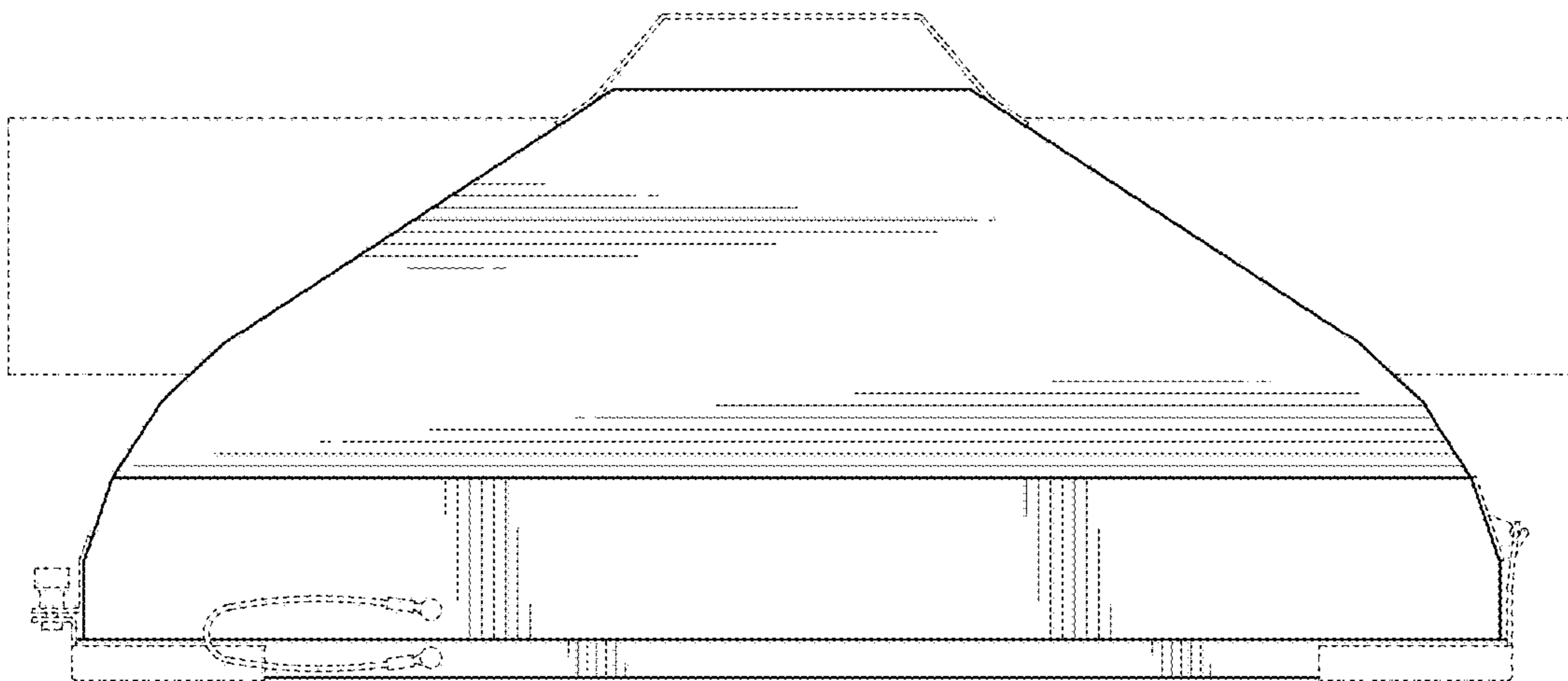


FIG. 6

FIG. 7

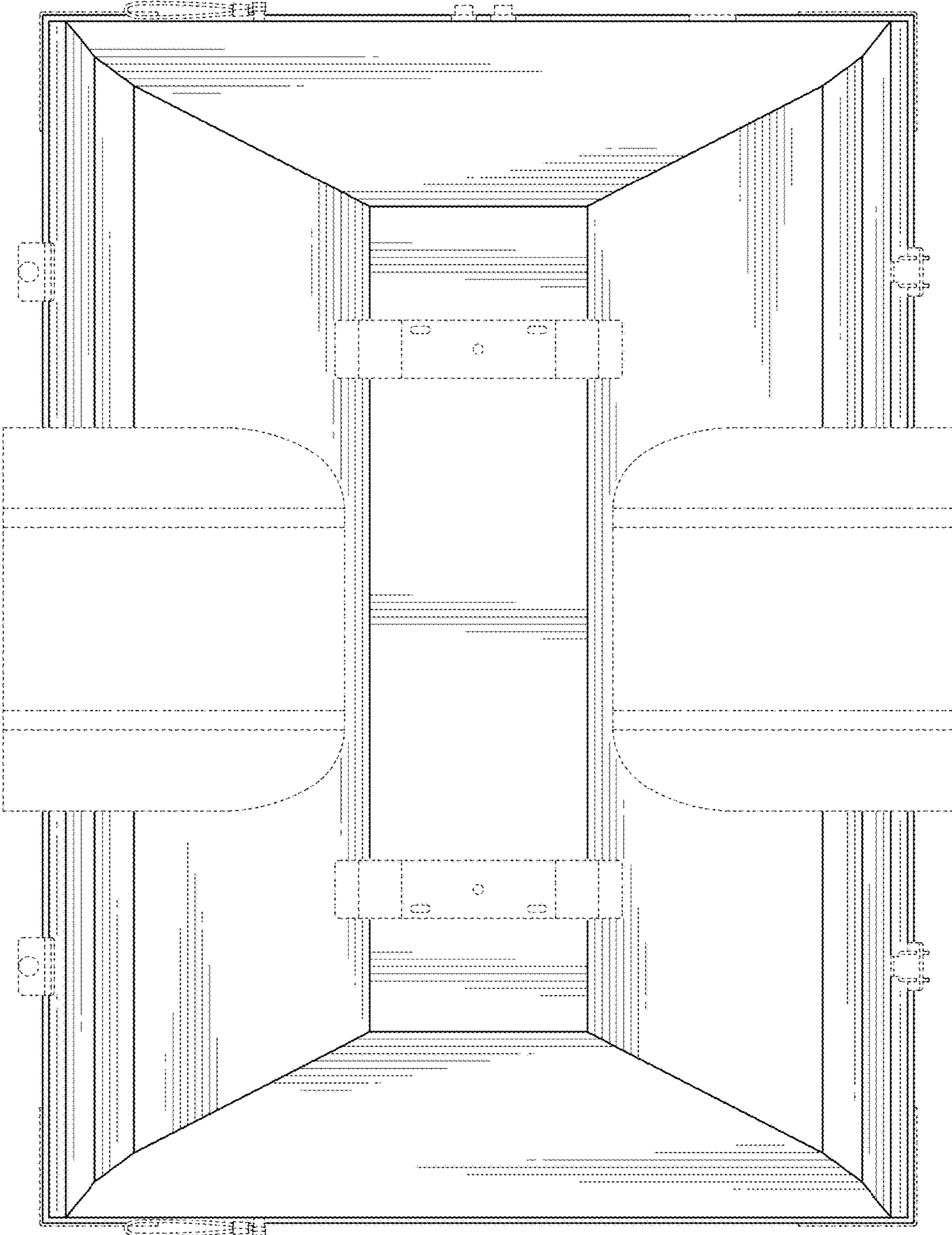


FIG. 8

