



US00D825825S

(12) **United States Design Patent**
McKenna et al.

(10) **Patent No.:** **US D825,825 S**
(45) **Date of Patent:** **** Aug. 14, 2018**

- (54) **LAMP**
- (71) Applicant: **Steelcase Inc.**, Grand Rapids, MI (US)
- (72) Inventors: **Mark McKenna**, East Grand Rapids, MI (US); **Ryan D. Vaughan**, Lowell, MI (US)
- (73) Assignee: **Steelcase Inc.**, Grand Rapids, MI (US)
- (**) Term: **15 Years**
- (21) Appl. No.: **29/606,905**
- (22) Filed: **Jun. 8, 2017**
- (51) **LOC (11) Cl.** **26-99**
- (52) **U.S. Cl.**
USPC **D26/118**
- (58) **Field of Classification Search**
USPC D26/24, 93, 106, 107, 118
CPC F21S 6/00; F21S 6/002; F21S 6/004; F21S 6/008; F21S 8/08; F21V 5/00; F21W 2121/00; F21W 2131/30
See application file for complete search history.

(56) **References Cited**

U.S. PATENT DOCUMENTS

D165,652 S	*	1/1952	Ingola, Jr.	D26/107
D286,818 S		11/1986	Engel	
D295,327 S		4/1988	Ansems	
D296,480 S		6/1988	Engel	
D349,582 S	*	8/1994	Bain	D26/107
D392,068 S		3/1998	Newhouse	
D582,090 S		12/2008	Osgerby et al.	
D589,646 S		3/2009	Sabernig	
D595,009 S		6/2009	Osgerby et al.	
D600,849 S	*	9/2009	Osgerby	D26/107
D604,449 S		11/2009	Shum et al.	
D617,026 S		6/2010	Huang	
D623,328 S		9/2010	Huang	
D663,062 S		7/2012	Ng et al.	

D669,626 S		10/2012	Huang	
D673,714 S		1/2013	Starck	
D674,128 S		1/2013	McCoy et al.	
D678,593 S		3/2013	Huang	
D681,865 S		5/2013	Lee	
D687,584 S		8/2013	Shek	
D689,237 S		9/2013	Ke	
D689,643 S		9/2013	Huang	
D690,861 S		10/2013	Huang	
D728,845 S		5/2015	Huang	
D729,964 S		5/2015	Huh	
D739,976 S		9/2015	Wu et al.	
D742,579 S	*	11/2015	Starck	D26/107
D742,580 S		11/2015	Gilad	
D744,683 S		12/2015	Fukasawa	
D744,692 S		12/2015	Poulton	
D747,536 S		1/2016	Huh	

(Continued)

FOREIGN PATENT DOCUMENTS

EM	000698774-0005	3/2007
EP	2573455 A3	12/2014

Primary Examiner — Brian N. Vinson

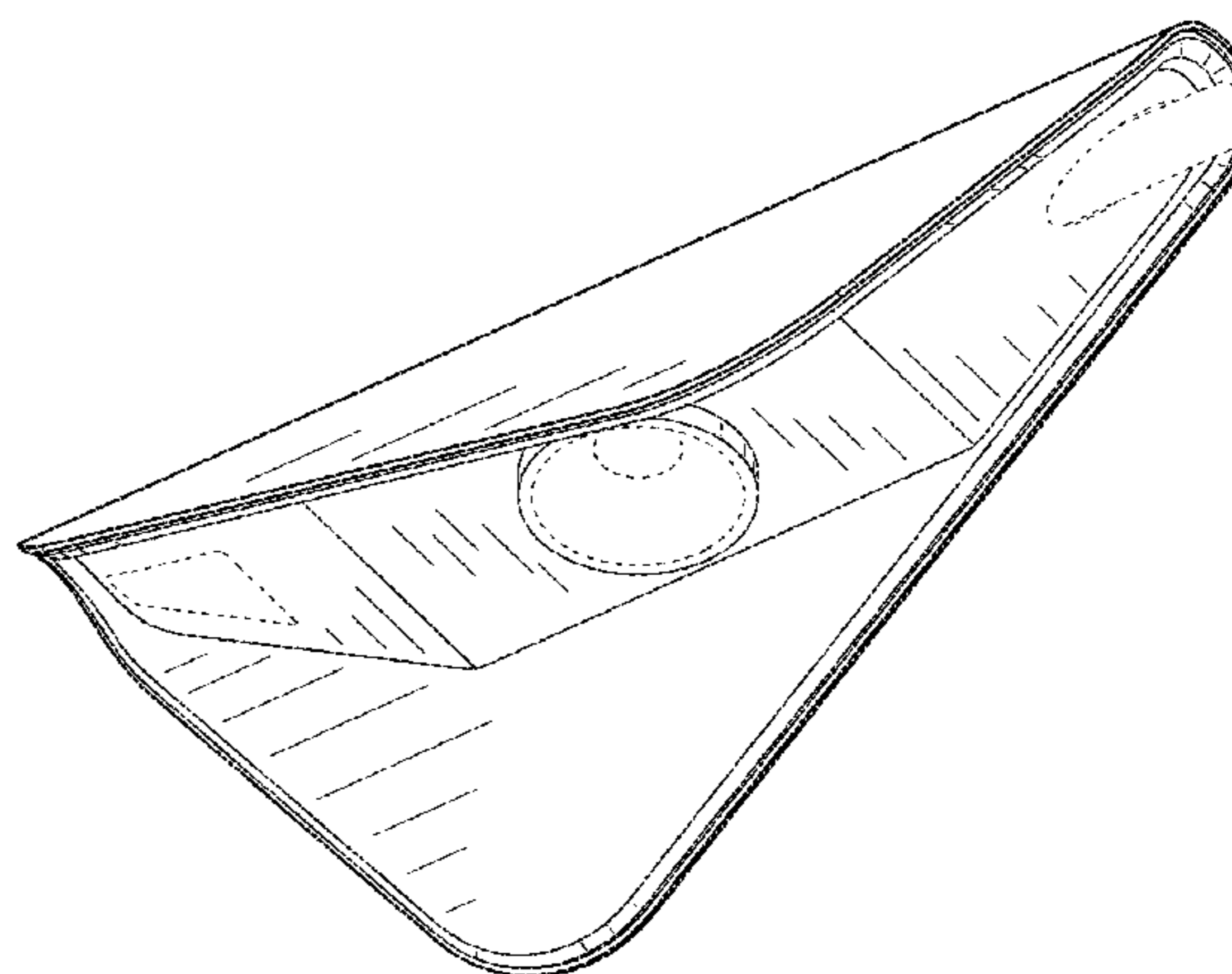
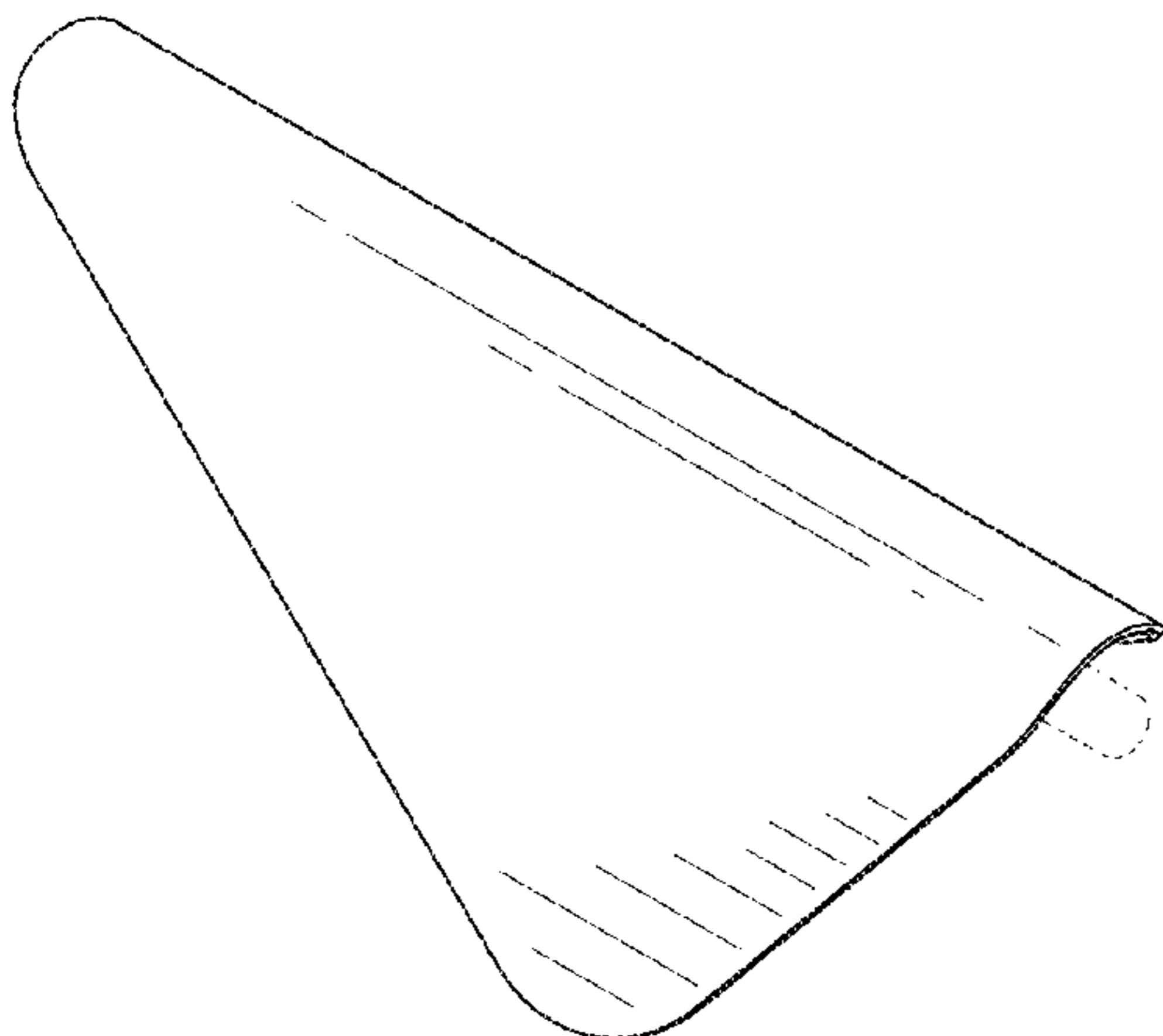
(57) **CLAIM**

We claim the ornamental design for a lamp, as illustrated and described.

DESCRIPTION

FIG. 1 is a top perspective view of a lamp;
 FIG. 2 is a bottom perspective view of the lamp of FIG. 1;
 FIG. 3 is a front view of the lamp of FIG. 1;
 FIG. 4 is a rear view of the lamp of FIG. 1;
 FIG. 5 is a right side view of the lamp of FIG. 1;
 FIG. 6 is a left side view of the lamp of FIG. 1;
 FIG. 7 is a top view of the lamp of FIG. 1; and,
 FIG. 8 is a bottom view of the lamp of FIG. 1.
 The broken line disclosure represents portions of the lamp which form no part of the claimed design.

1 Claim, 4 Drawing Sheets



(56)

References Cited

U.S. PATENT DOCUMENTS

D757,342 S	5/2016	Xiaoyu et al.	
D759,289 S	6/2016	Newhouse et al.	
D775,399 S	12/2016	Fioravanti	
D777,971 S	1/2017	Citterio	
D780,369 S *	2/2017	Anastassiades	D26/107
D780,984 S *	3/2017	Urquiola	D26/107
D799,101 S *	10/2017	Amato	D26/118
D810,353 S *	2/2018	Sempe	D26/118

* cited by examiner

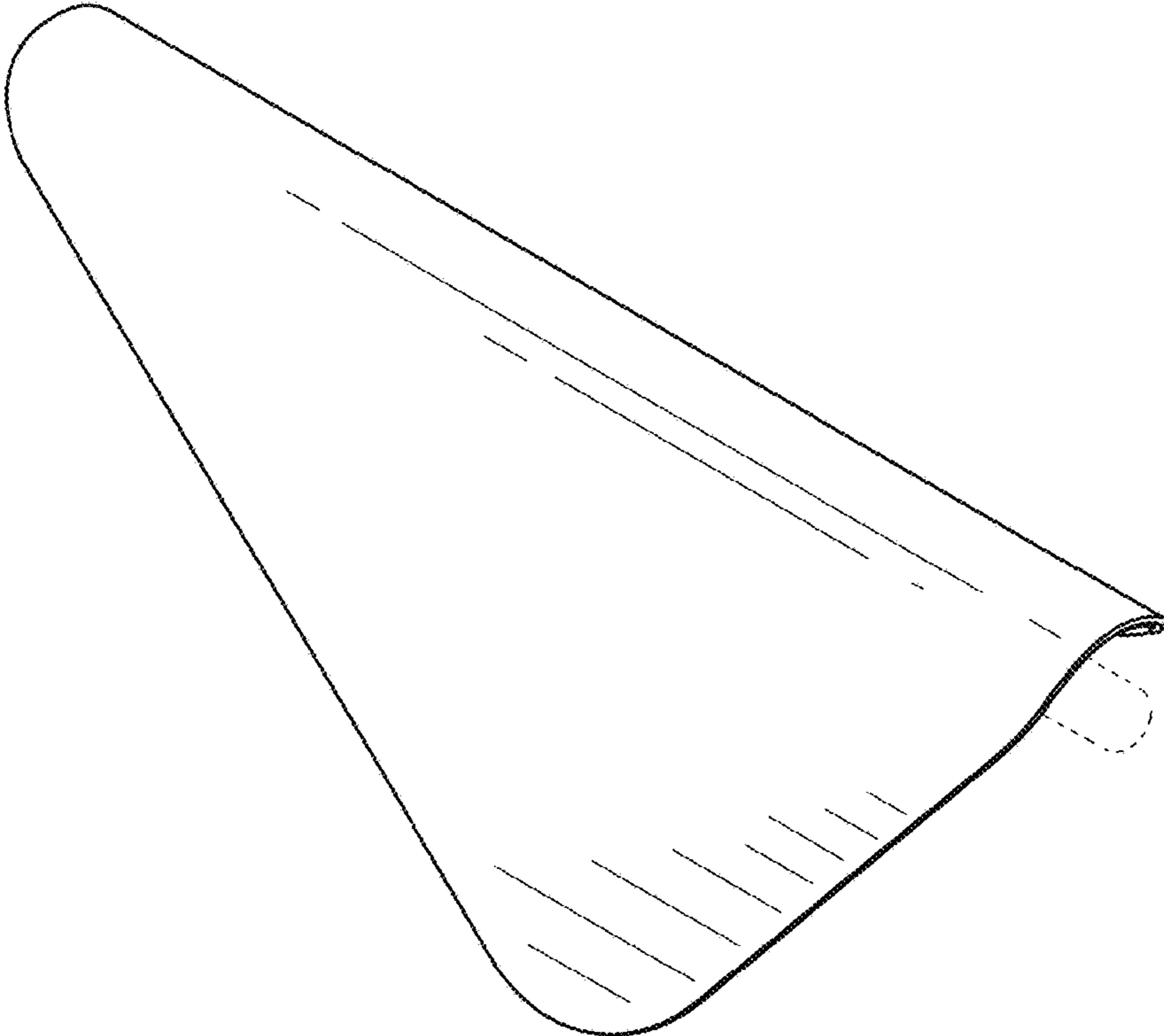


FIG. 1

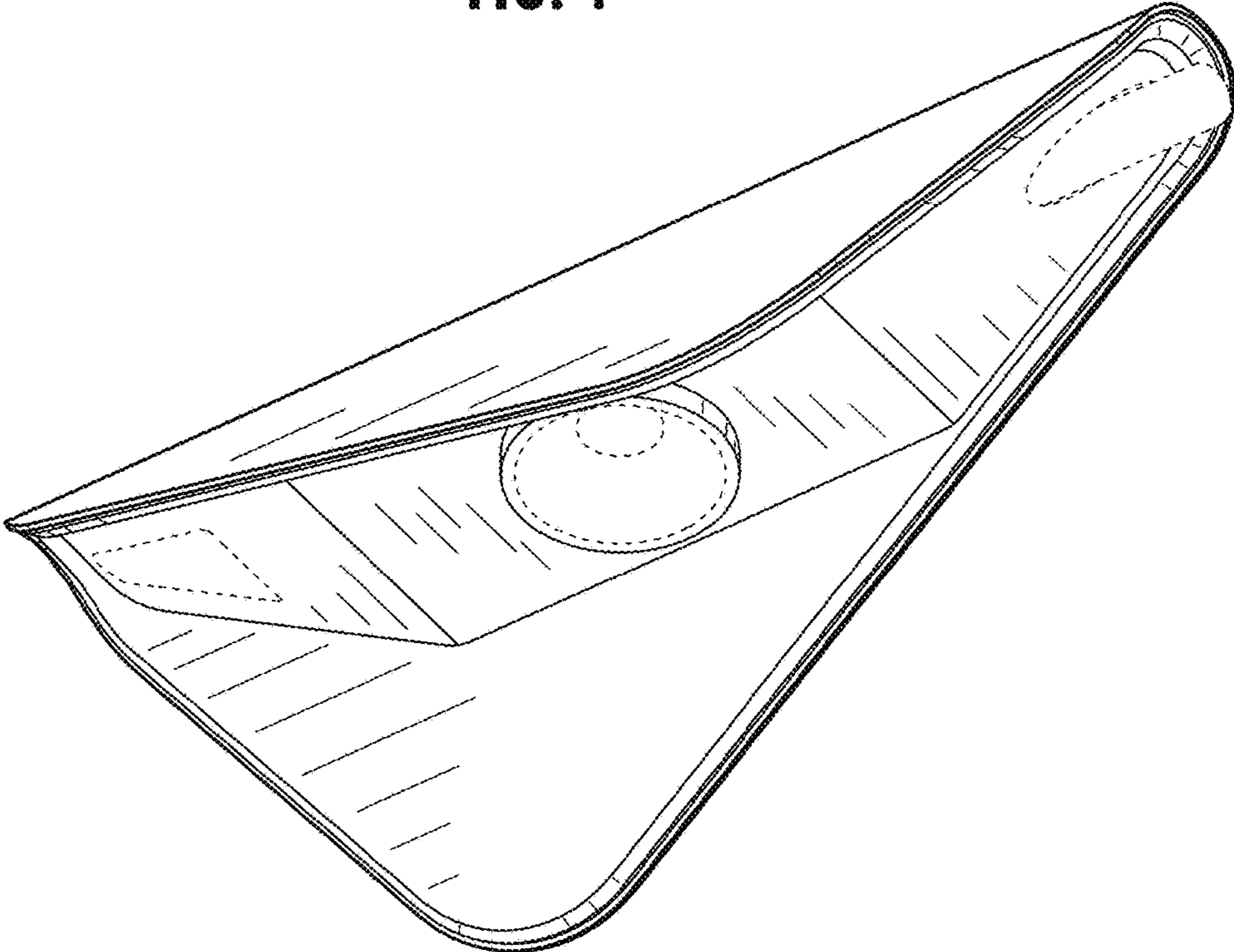


FIG. 2

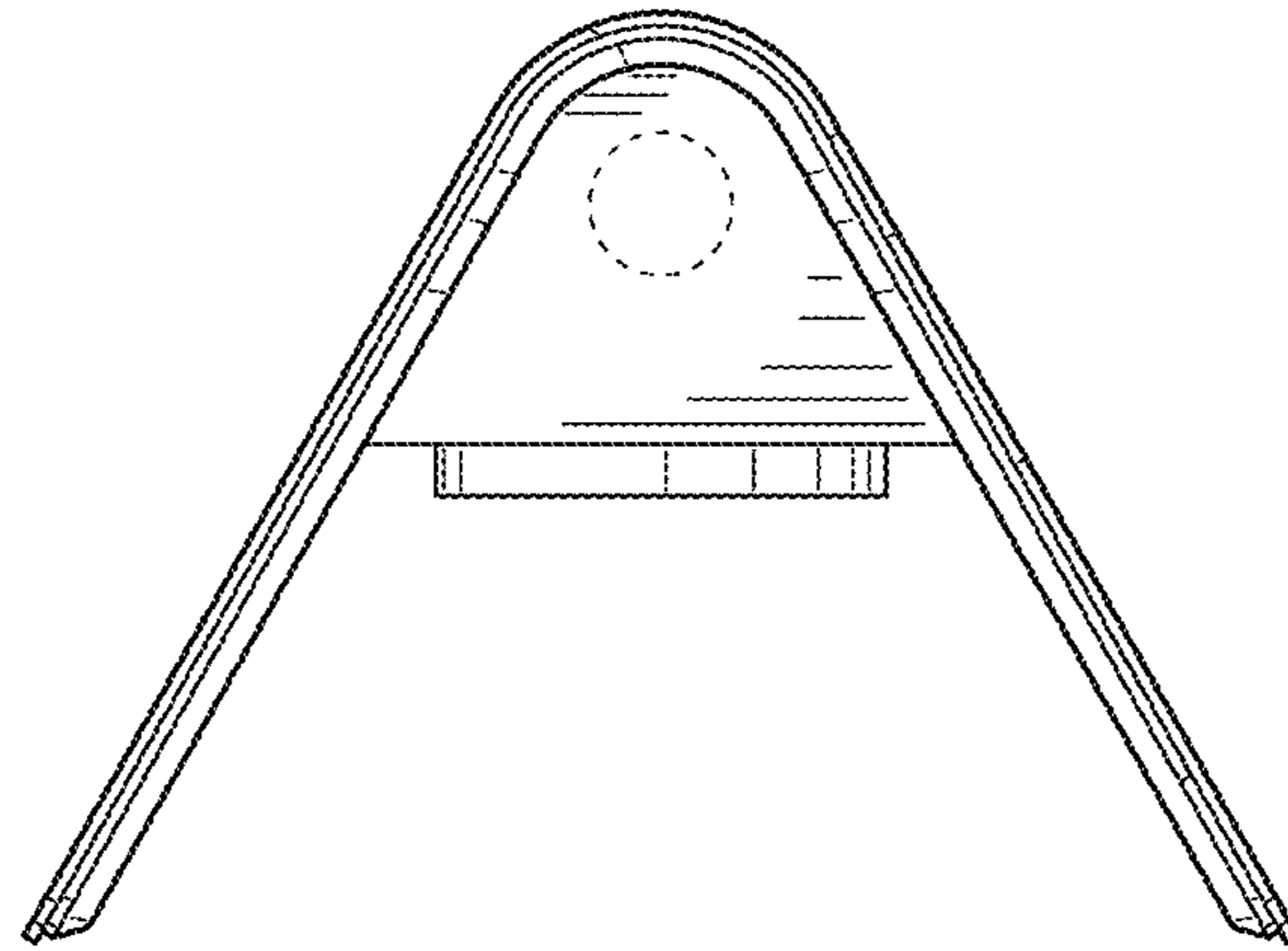


FIG. 3

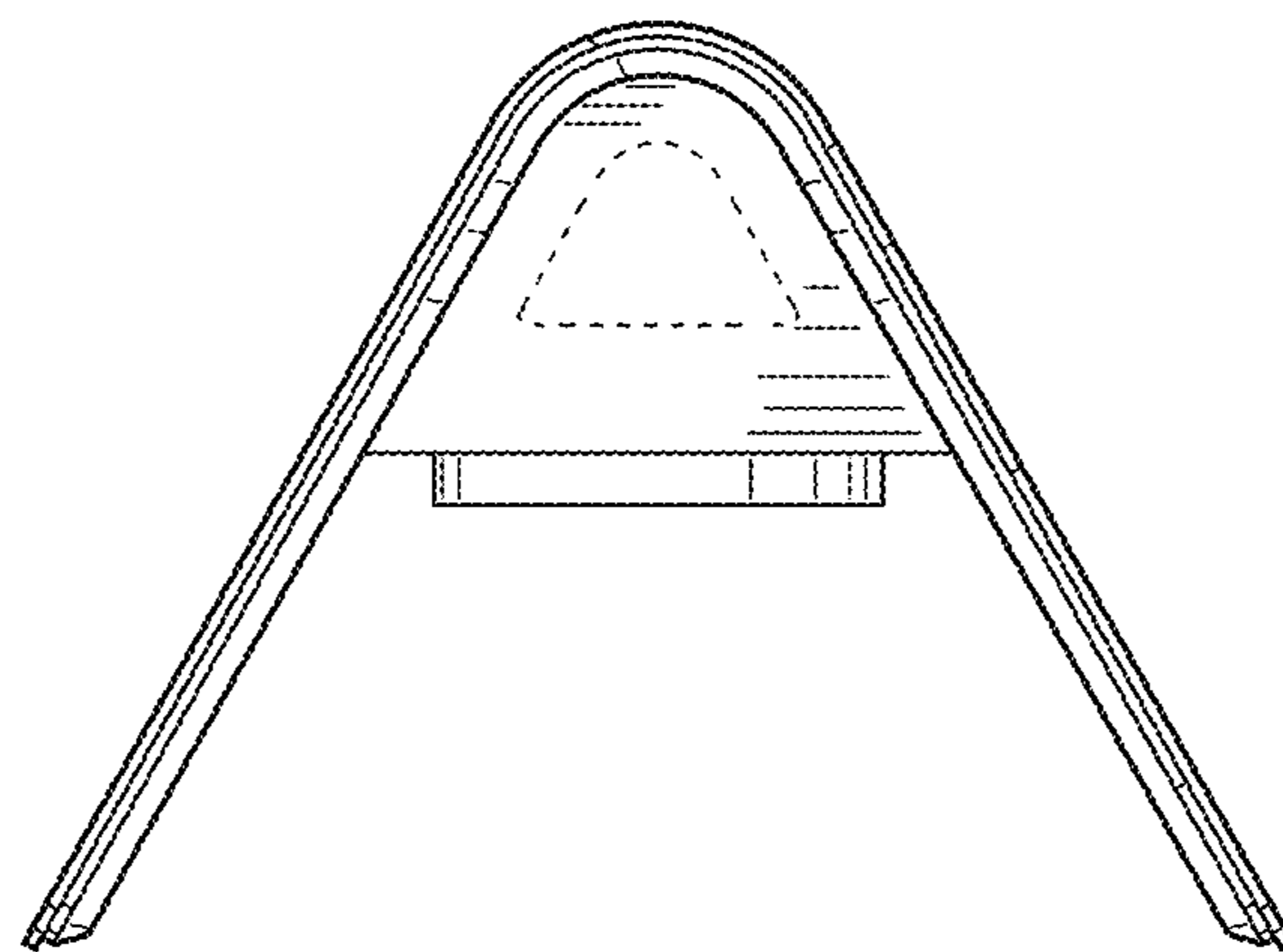


FIG. 4

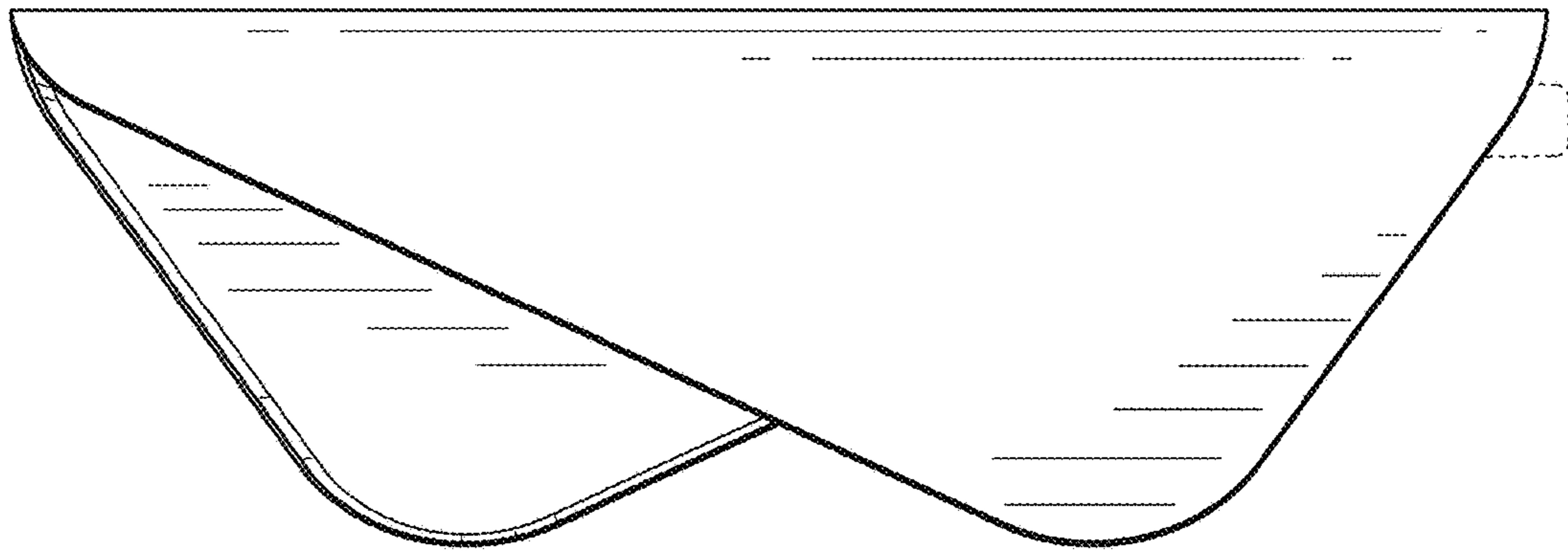


FIG. 5

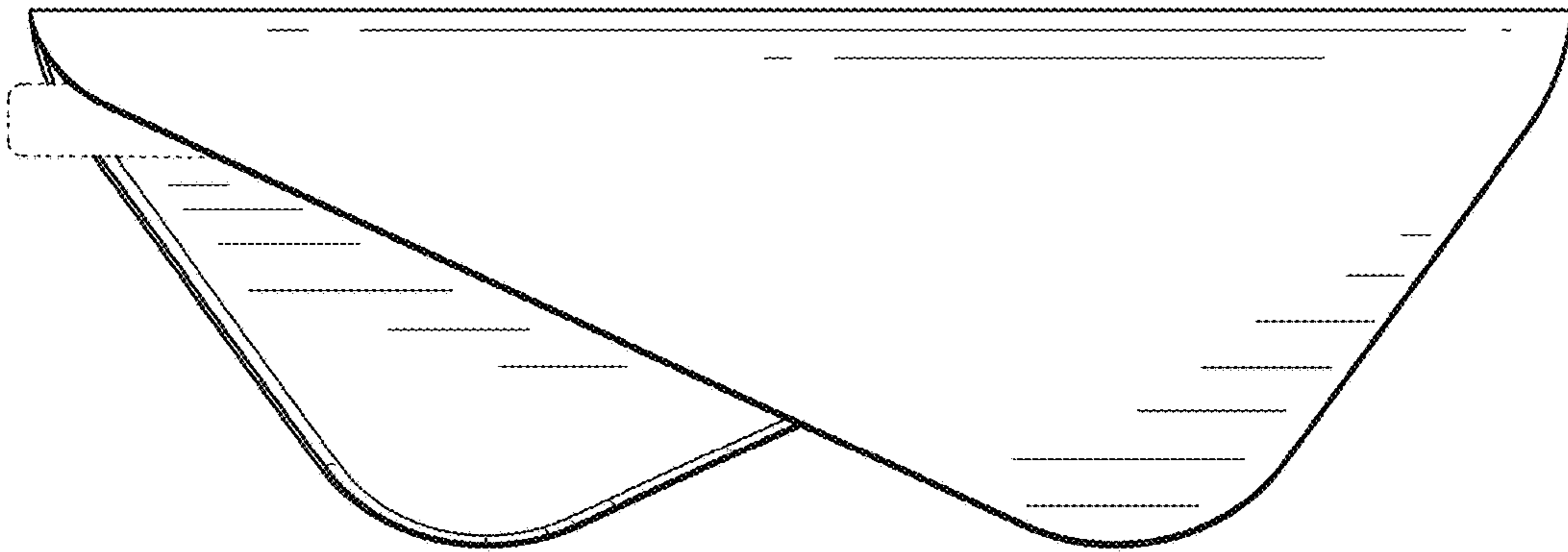


FIG. 6

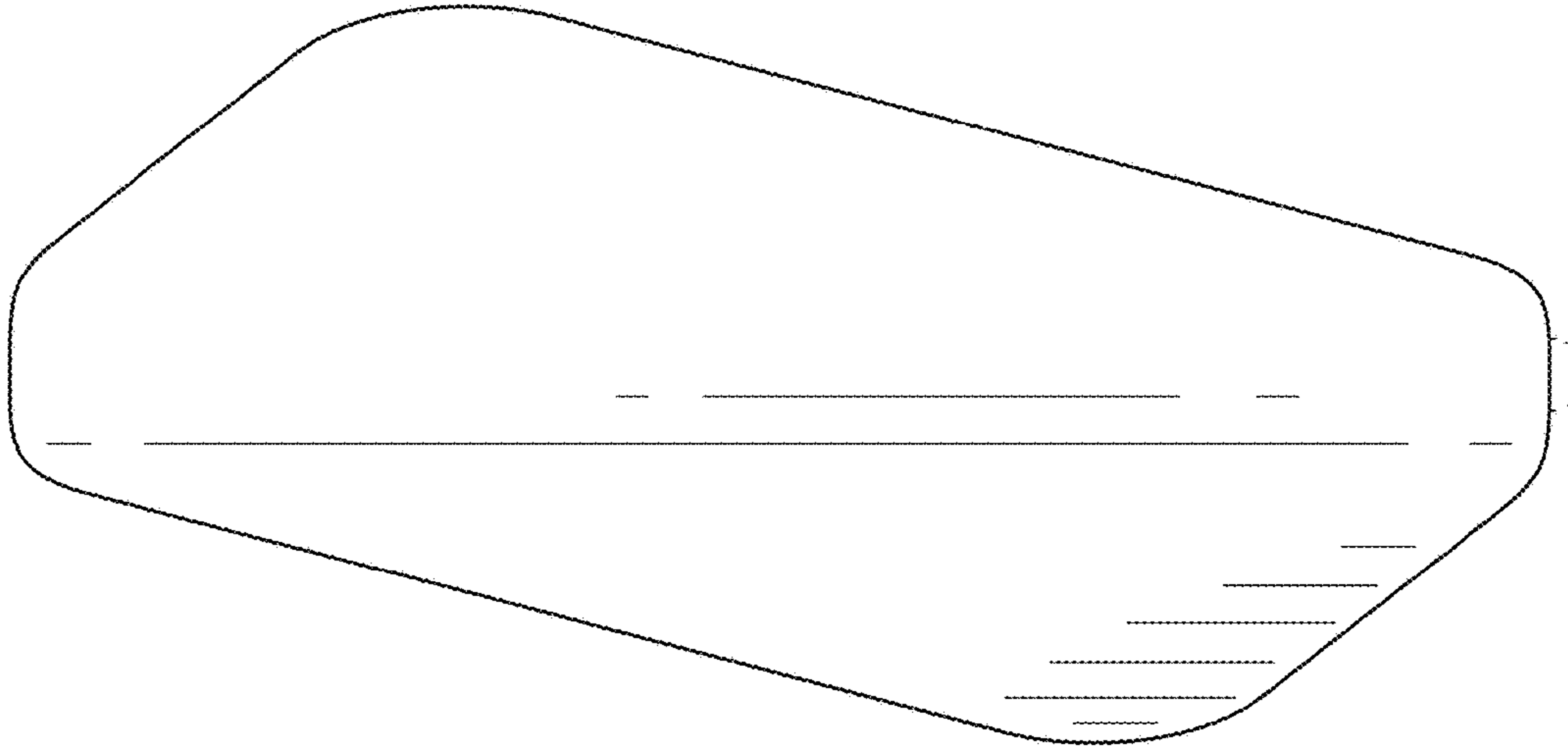


FIG. 7

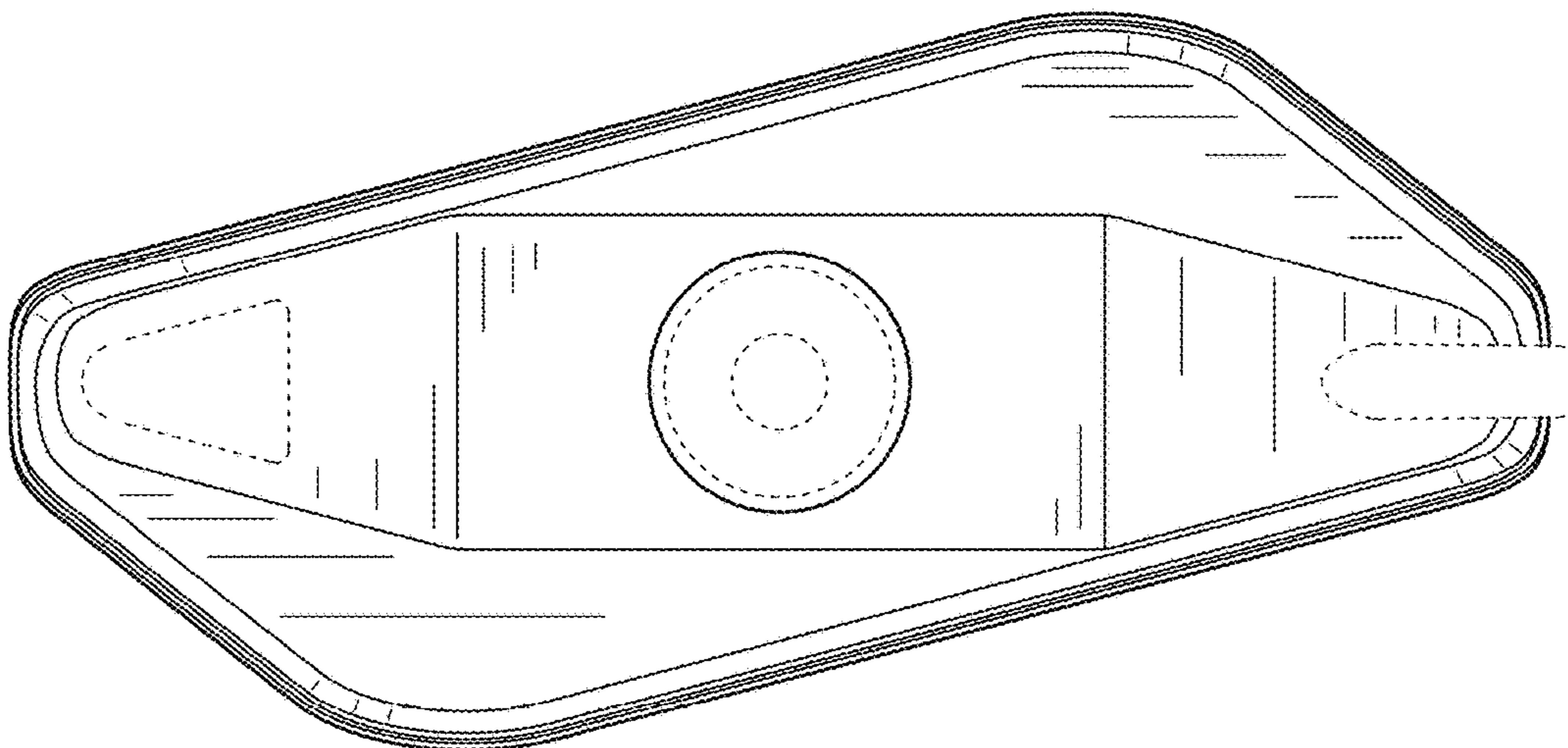


FIG. 8