



US00D825824S

(12) **United States Design Patent**  
**Rauta et al.**

(10) **Patent No.:** **US D825,824 S**

(45) **Date of Patent:** **\*\* Aug. 14, 2018**

(54) **OLED LIGHTING**

(71) Applicant: **KONE Corporation**, Helsinki (FI)

(72) Inventors: **Visa Rauta**, Hyvinkää (FI); **Maurizio Stellini**, Lecco (IT); **Stefano Vaccari**, Milan (IT)

(73) Assignee: **KONE Corporation**, Helsinki (FI)

(\*\*) Term: **15 Years**

(21) Appl. No.: **29/617,940**

(22) Filed: **Sep. 18, 2017**

**Related U.S. Application Data**

(62) Division of application No. 29/567,844, filed on Jun. 13, 2016, now Pat. No. Des. 803,469.

(30) **Foreign Application Priority Data**

Nov. 13, 2015 (EM) ..... 002858845

(51) **LOC (11) Cl.** ..... **26-03**

(52) **U.S. Cl.**  
USPC ..... **D26/110**

(58) **Field of Classification Search**

USPC ..... D26/1, 24, 93, 95, 104, 106, 110  
CPC ..... F21S 6/00; F21S 6/002; F21S 8/00; F21S 8/08; F21V 31/00; F21V 21/02; F21W 2131/10; F21W 2131/30

See application file for complete search history.

(56) **References Cited**

U.S. PATENT DOCUMENTS

D328,956 S *	8/1992	Leonard	.....	D26/110
D329,301 S *	9/1992	Leonard	.....	D26/110
D512,661 S *	12/2005	Morris	.....	D26/110
D518,408 S *	4/2006	Harrity	.....	D26/110
D753,332 S *	4/2016	De Bevilacqua	.....	D26/106

\* cited by examiner

*Primary Examiner* — Brian N. Vinson

(74) *Attorney, Agent, or Firm* — Clinton H. Wilkinson; Charles A. Wilkinson

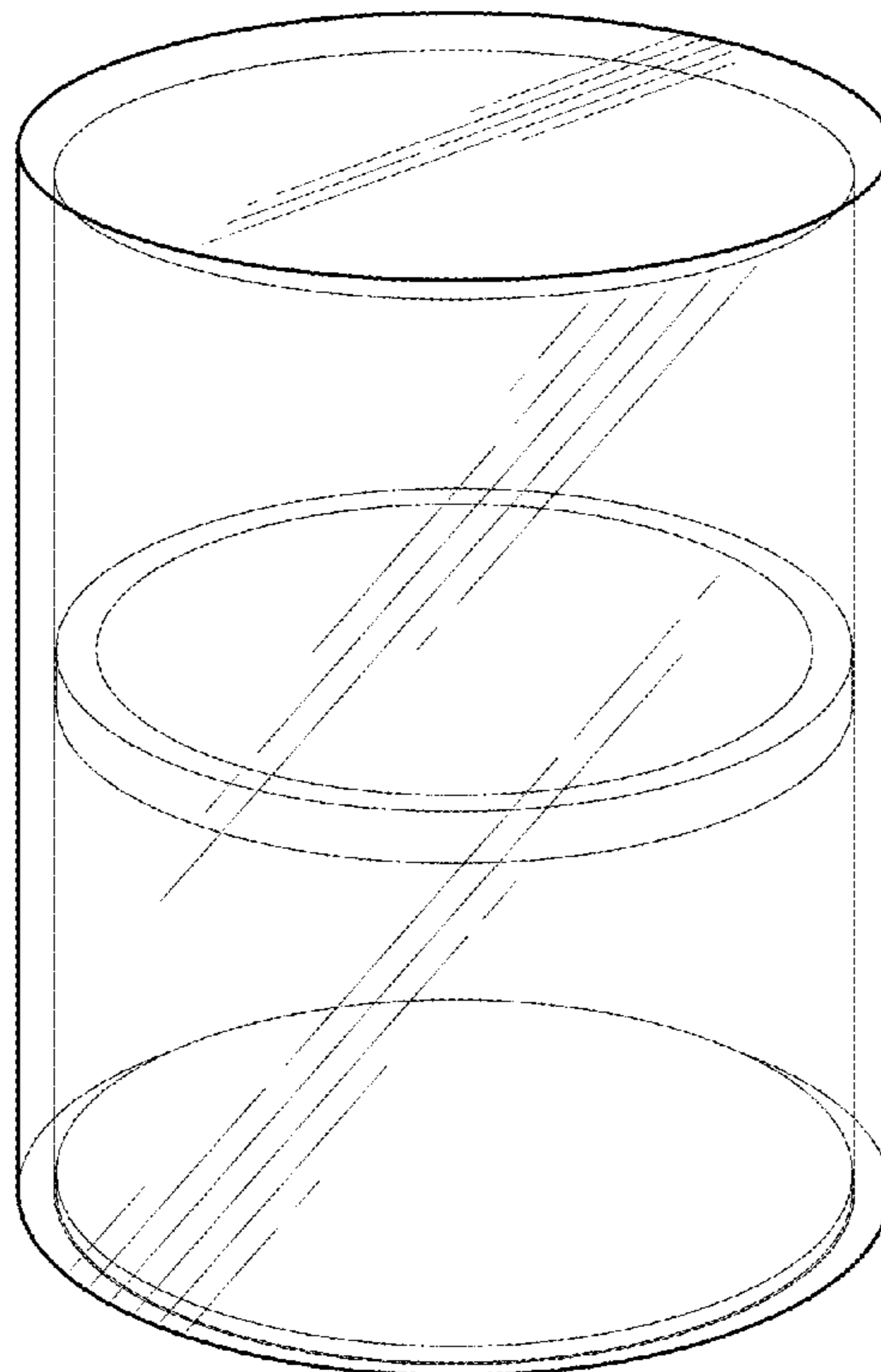
(57) **CLAIM**

The ornamental design for OLED lighting, as shown and described.

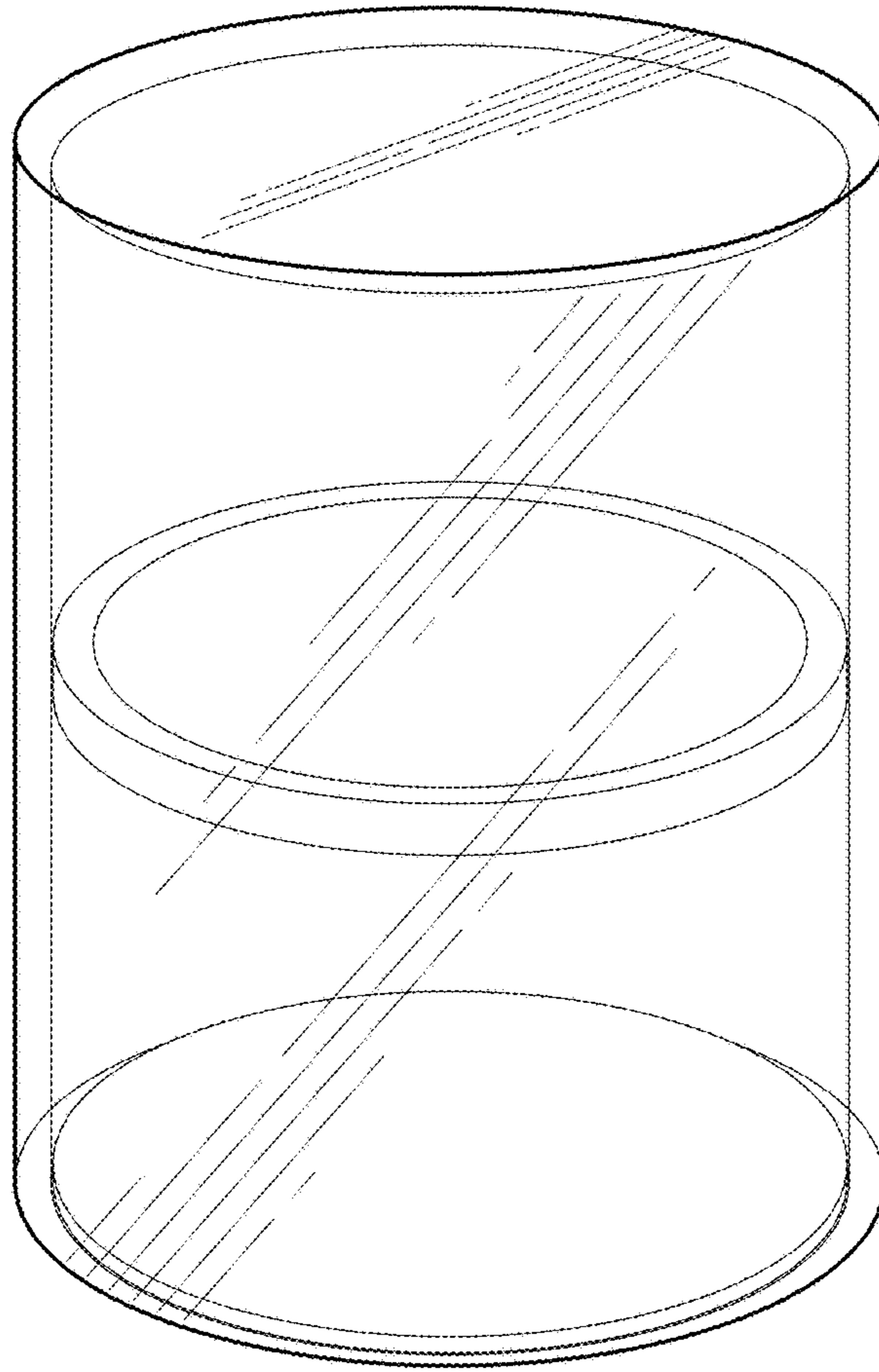
**DESCRIPTION**

FIG. 1 is a perspective view of OLED lighting showing our new design;  
FIG. 2 is a front elevation view thereof, the rear and side views being identical;  
FIG. 3 is a top view thereof;  
FIG. 4 is a bottom view thereof;  
FIG. 5 is a perspective view of another embodiment showing our new design;  
FIG. 6 is a front elevation view thereof, the rear and side views being identical;  
FIG. 7 is a top view thereof; and,  
FIG. 8 is a bottom view thereof.

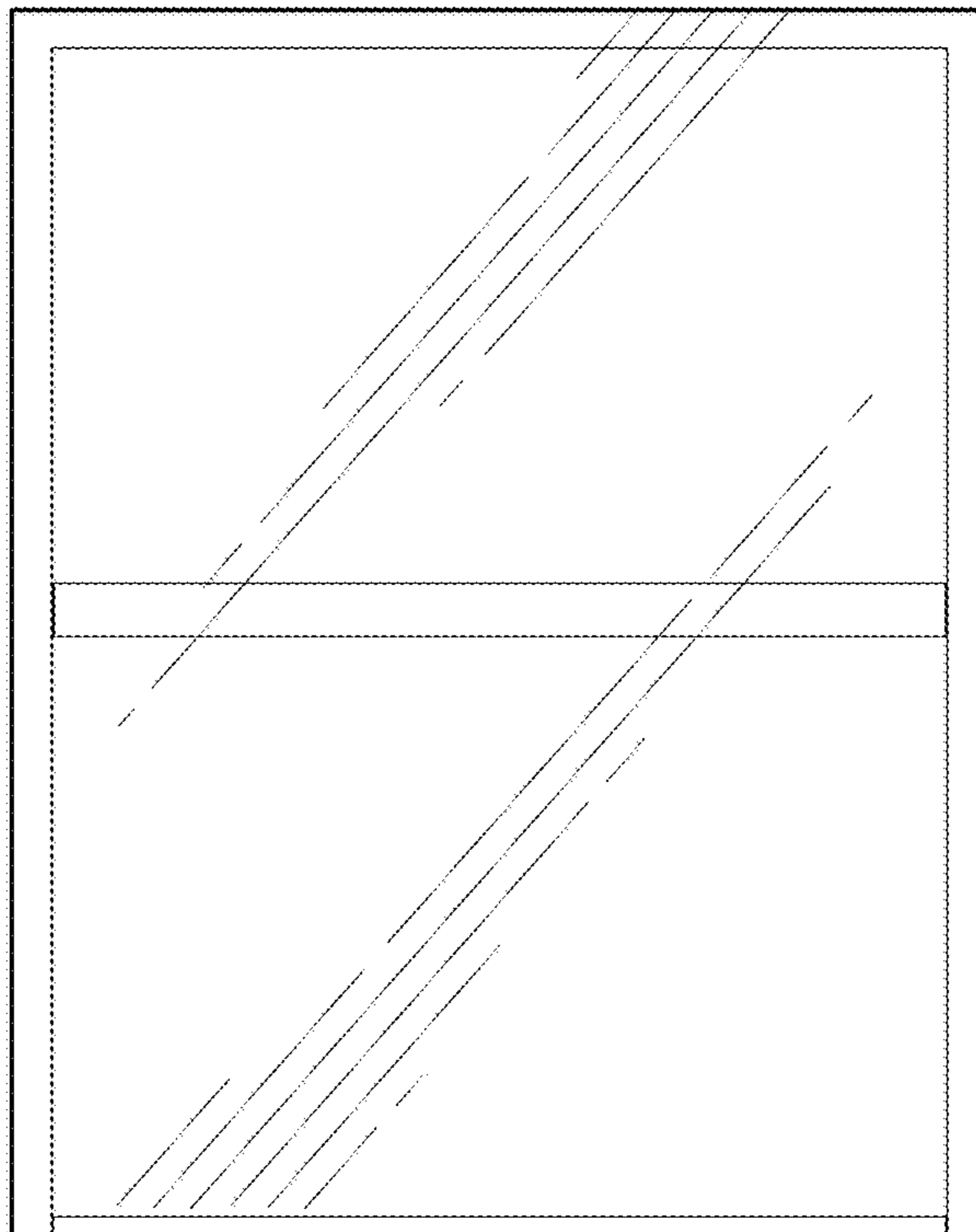
**1 Claim, 4 Drawing Sheets**

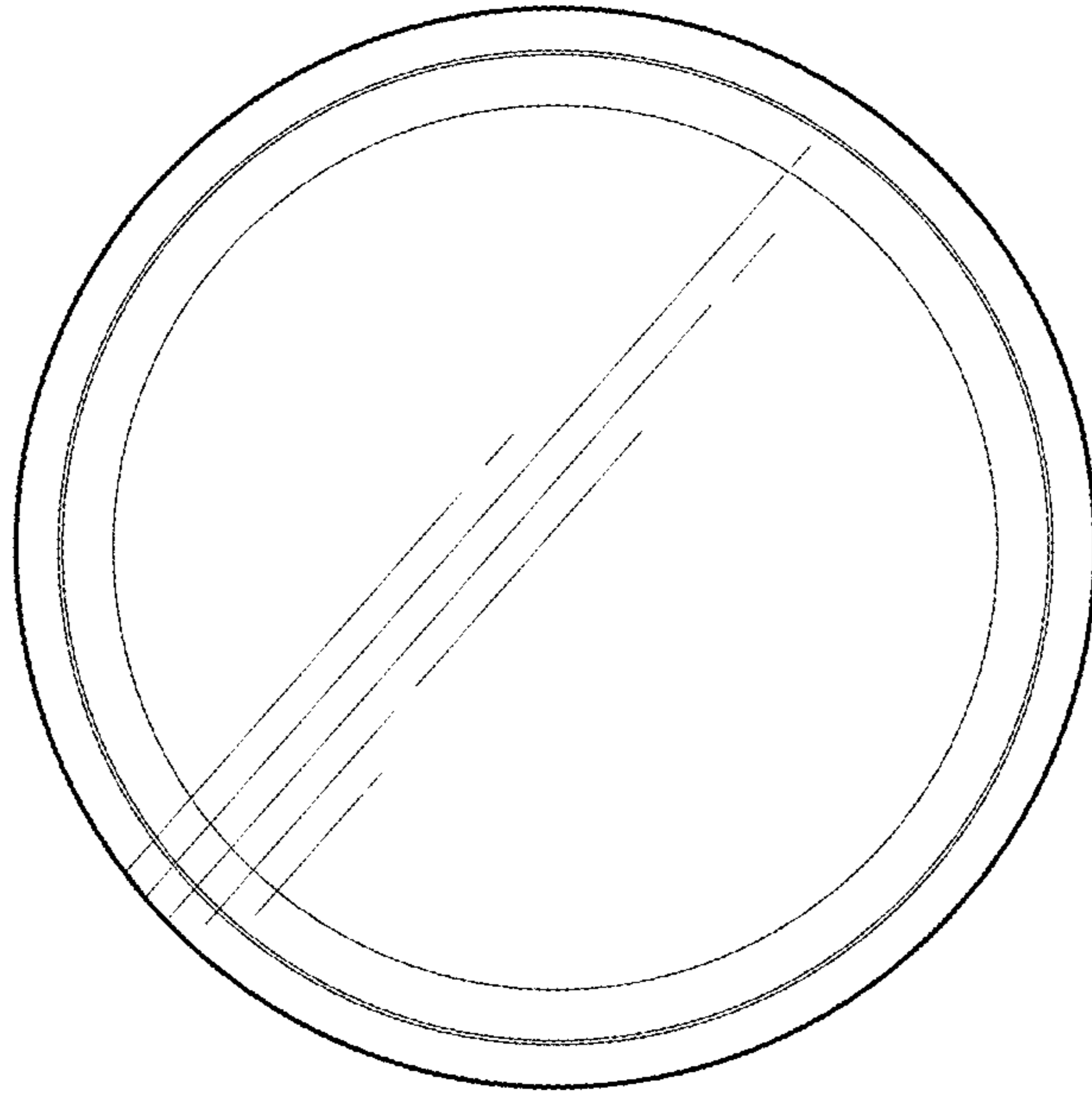


*FIG. 1*

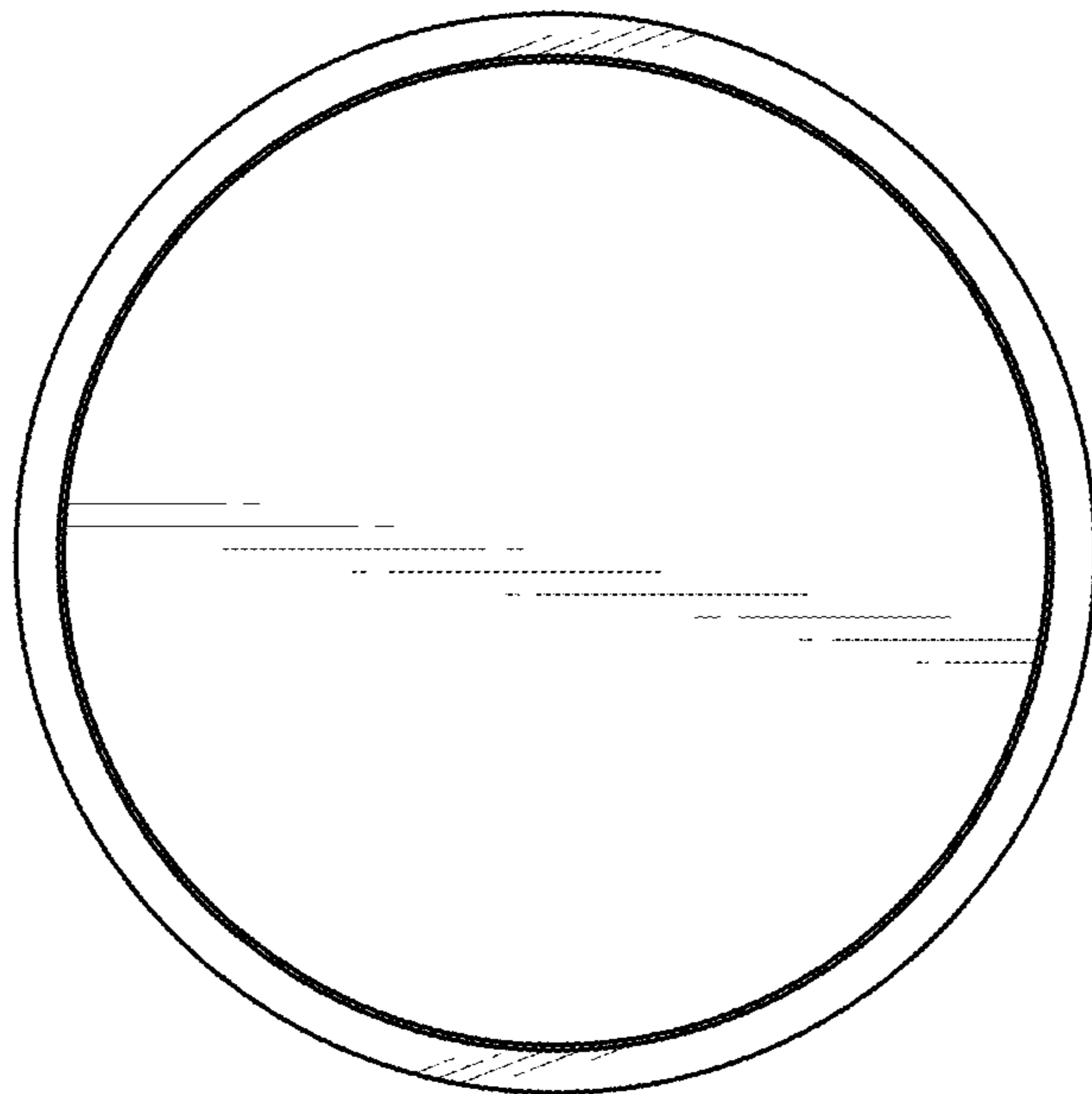


*FIG. 2*



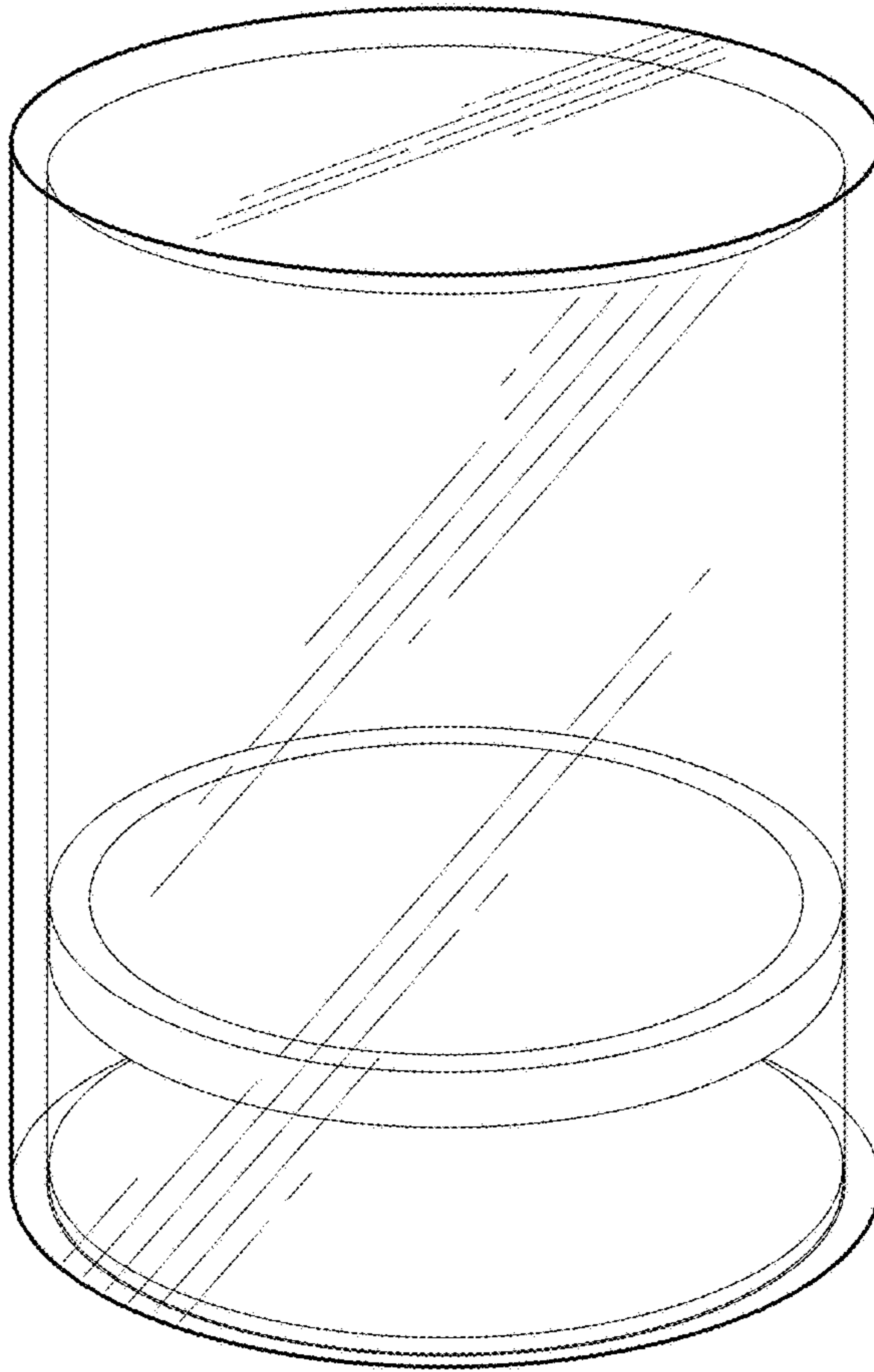


*FIG. 3*

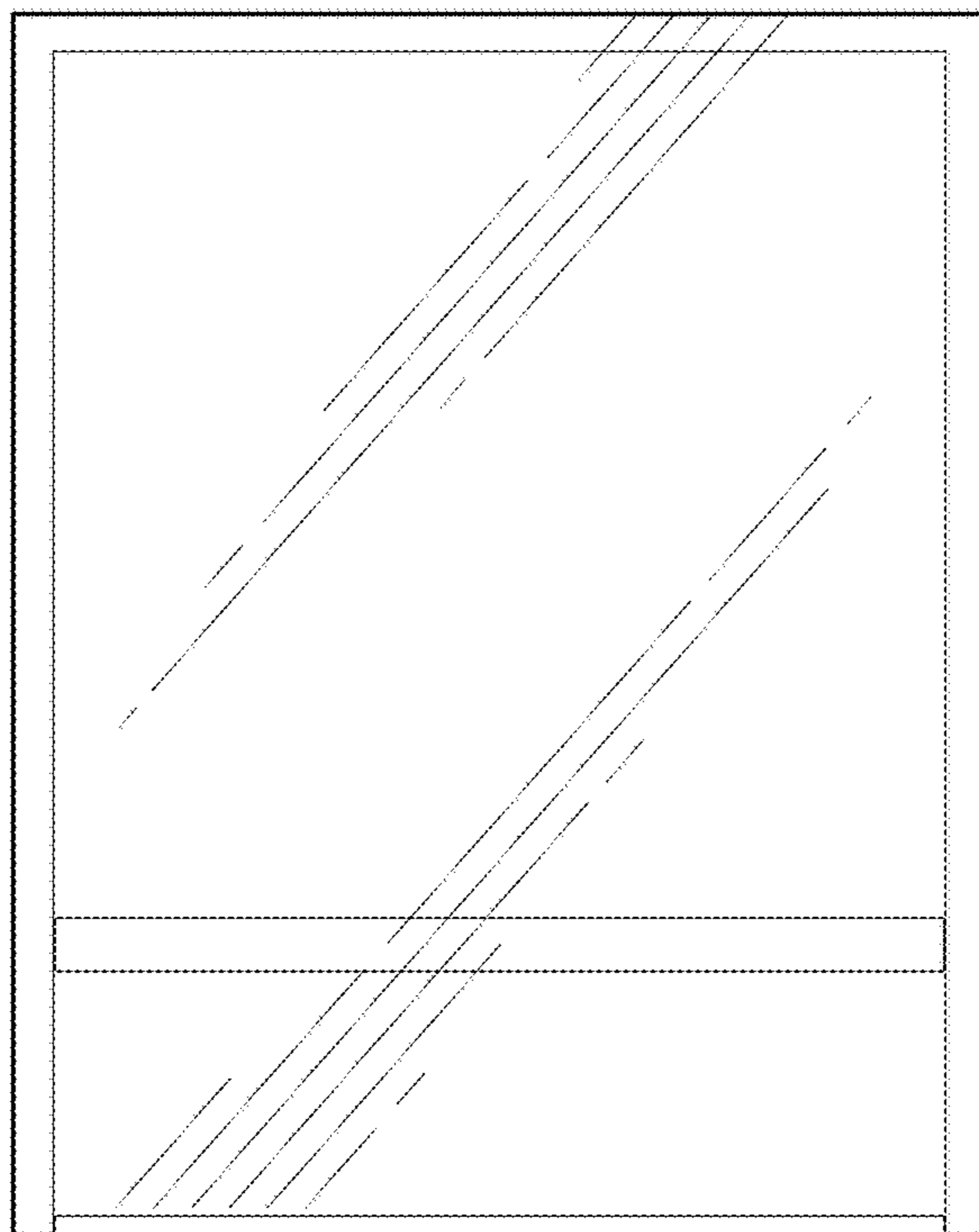


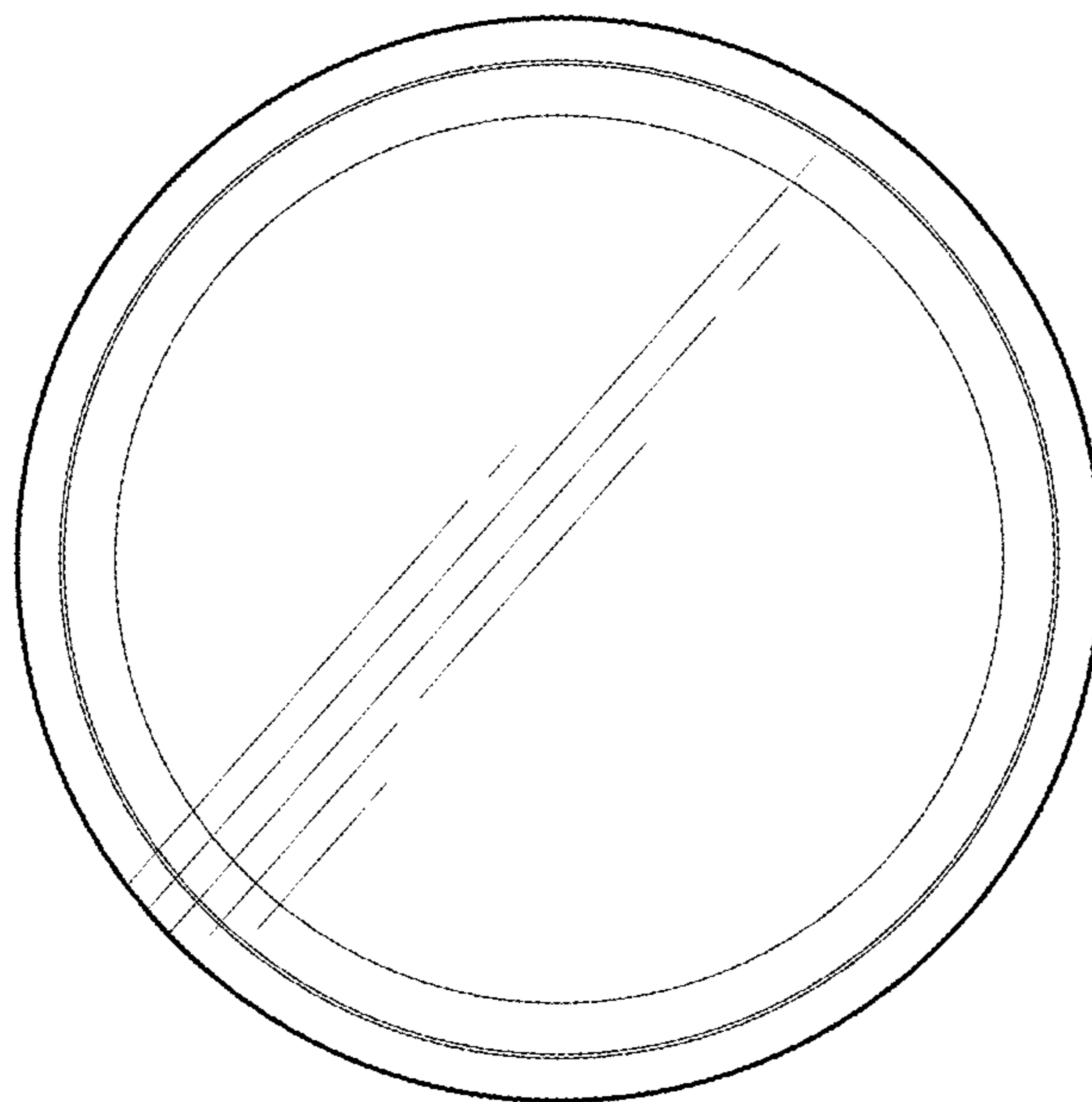
*FIG. 4*

*FIG. 5*

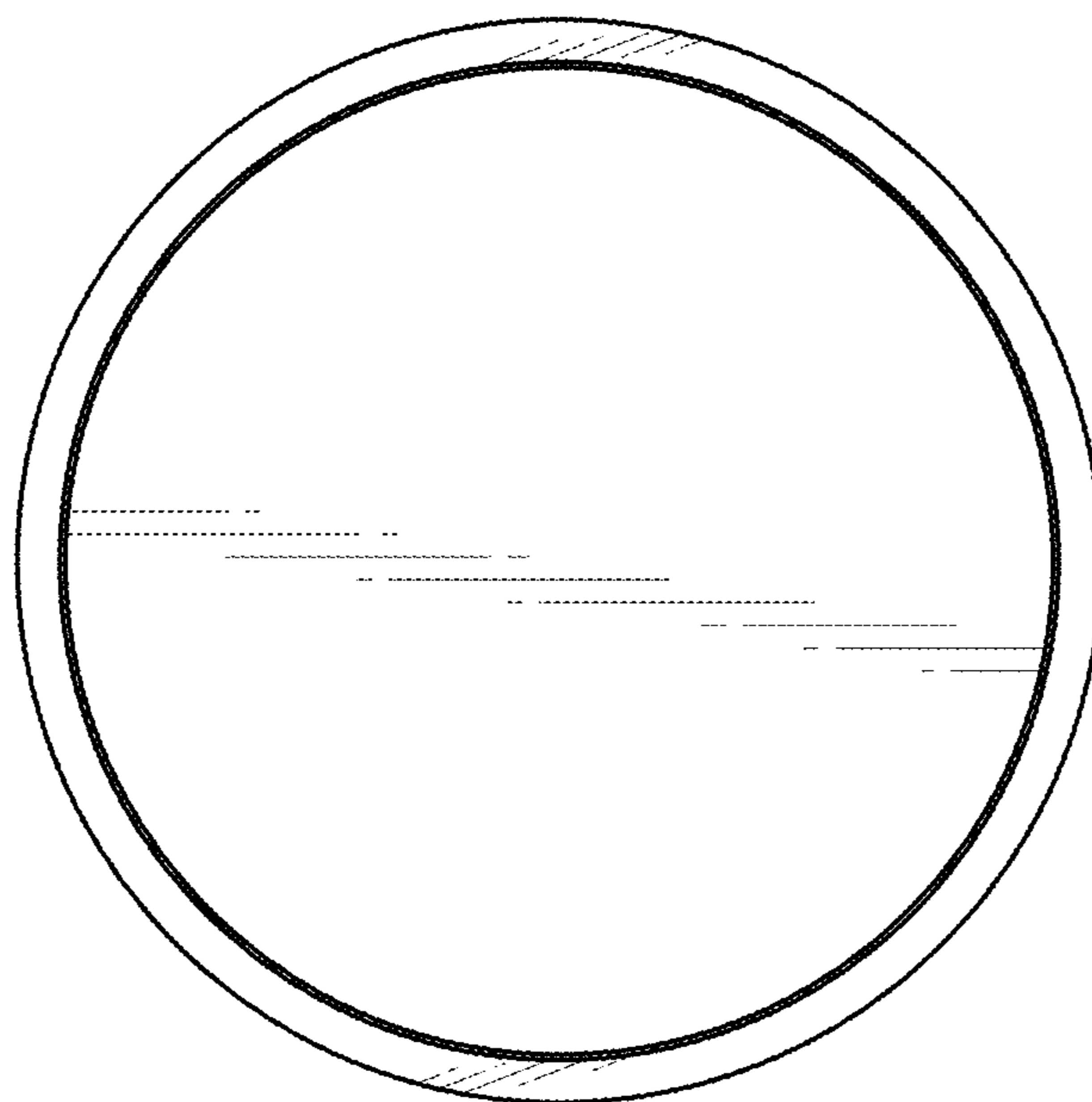


*FIG. 6*





*FIG. 7*



*FIG. 8*

UNITED STATES PATENT AND TRADEMARK OFFICE  
**CERTIFICATE OF CORRECTION**

PATENT NO. : D825,824 S  
APPLICATION NO. : 29/617940  
DATED : August 14, 2018  
INVENTOR(S) : Visa Rauta, Maurizio Stellini and Stefano Vaccari

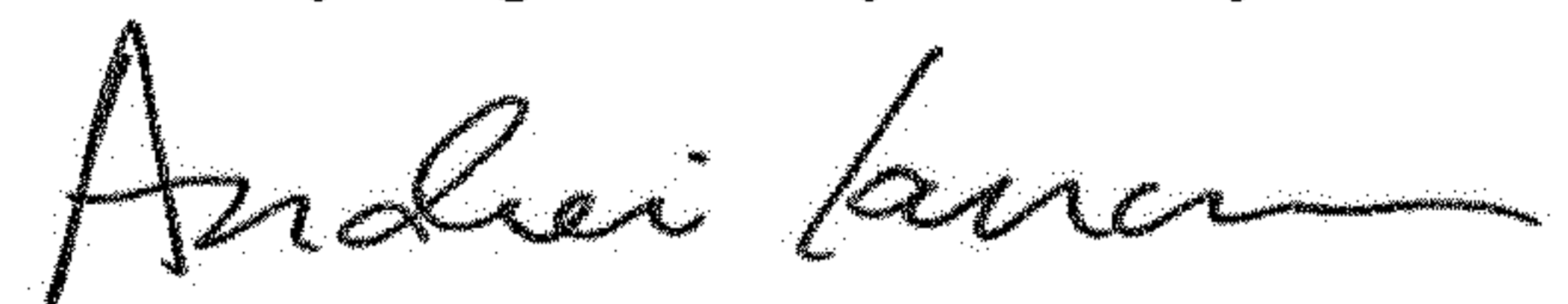
Page 1 of 1

It is certified that error appears in the above-identified patent and that said Letters Patent is hereby corrected as shown below:

On the Title Page

Item (72), change "Milan (IT)" to read as -- Milano (IT) --

Signed and Sealed this  
Twenty-eighth Day of May, 2019



Andrei Iancu  
*Director of the United States Patent and Trademark Office*