



US00D825823S

(12) **United States Design Patent** (10) **Patent No.:** **US D825,823 S**
Ren (45) **Date of Patent:** **** Aug. 14, 2018**

(54) **LED READING LIGHT**

(71) Applicant: **Xingyu Ren**, Guangdong (CN)

(72) Inventor: **Xingyu Ren**, Guangdong (CN)

(73) Assignee: **Xingyu Ren**, Shenzhen (CN)

(**) Term: **15 Years**

(21) Appl. No.: **29/609,804**

(22) Filed: **Jul. 5, 2017**

(51) **LOC (11) Cl.** **26-03**

(52) **U.S. Cl.**
 USPC **D26/107; D26/60**

(58) **Field of Classification Search**
 USPC D26/1, 24, 61, 62, 72, 93, 106, 118, 60,
 D26/107
 CPC F21S 6/00; F21S 6/002; F21S 6/003; F21S
 6/004; F21S 6/005; F21S 6/006; F21S
 6/007; F21V 21/02; F21V 21/088; F21W
 2121/00; F21W 2131/30
 See application file for complete search history.

(56) **References Cited**

U.S. PATENT DOCUMENTS

D290,519 S * 6/1987 Kuo D26/60
 D472,659 S * 4/2003 Wang D26/63
 D498,322 S * 11/2004 Schnell D26/60
 D563,581 S * 3/2008 Niu D26/62

7,390,105 B2 * 6/2008 Nelson F21V 21/088
 362/198
 D630,358 S * 1/2011 Nelson D26/60
 D636,918 S * 4/2011 Nelson D26/61
 D775,392 S * 12/2016 Law D26/61
 D781,489 S * 3/2017 Jiao D26/107
 D790,750 S * 6/2017 Xiao D26/107
 D809,187 S * 1/2018 Dai D26/107

* cited by examiner

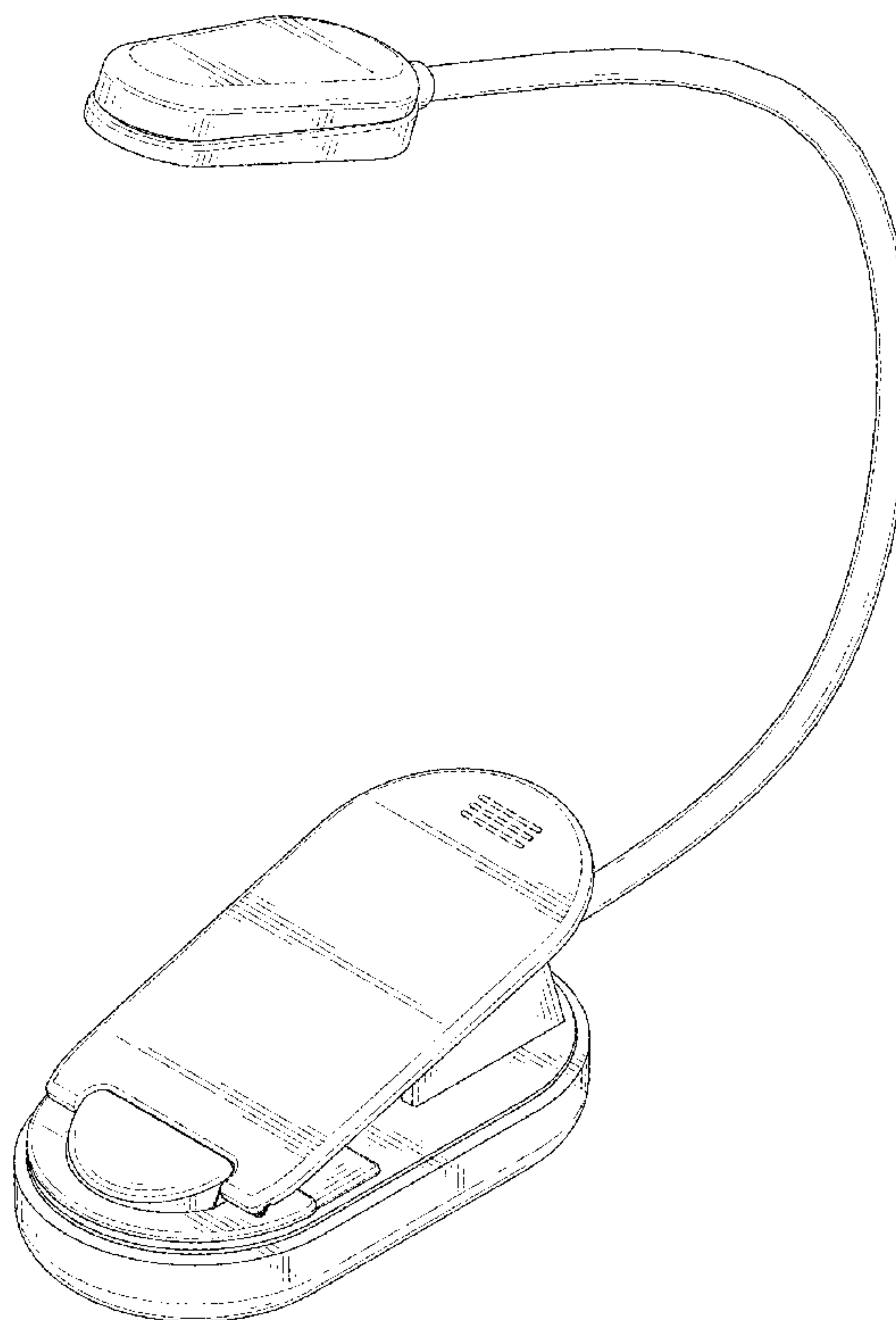
Primary Examiner — Brian N Vinson
 (74) *Attorney, Agent, or Firm* — ScienBiziP, P.C.

(57) **CLAIM**
 The ornamental design for a LED reading light, as shown
 and described.

DESCRIPTION

FIG. 1 is a first perspective view of a LED reading light
 showing my new design;
 FIG. 2 is a second perspective view thereof;
 FIG. 3 is a third perspective view thereof;
 FIG. 4 is a front elevational view thereof;
 FIG. 5 is a rear elevational view thereof;
 FIG. 6 is a left side view thereof;
 FIG. 7 is a right side view thereof;
 FIG. 8 is a top plan view thereof; and,
 FIG. 9 is a bottom plan view thereof.
 The broken lines in the drawings illustrate portions of the
 LED reading light which form no part of the claimed design.
 The diagonal lines indicate transparency.

1 Claim, 9 Drawing Sheets



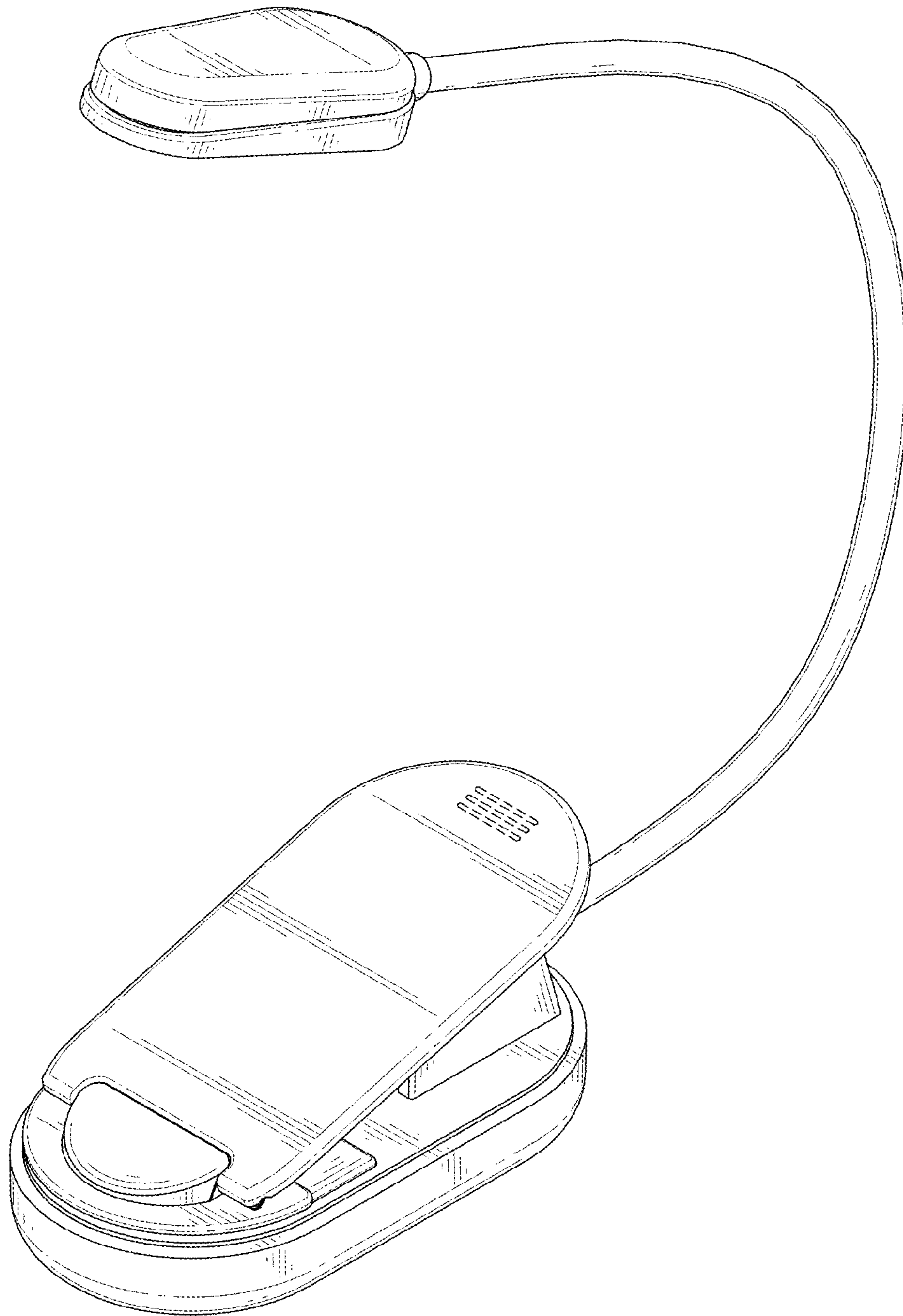


FIG. 1

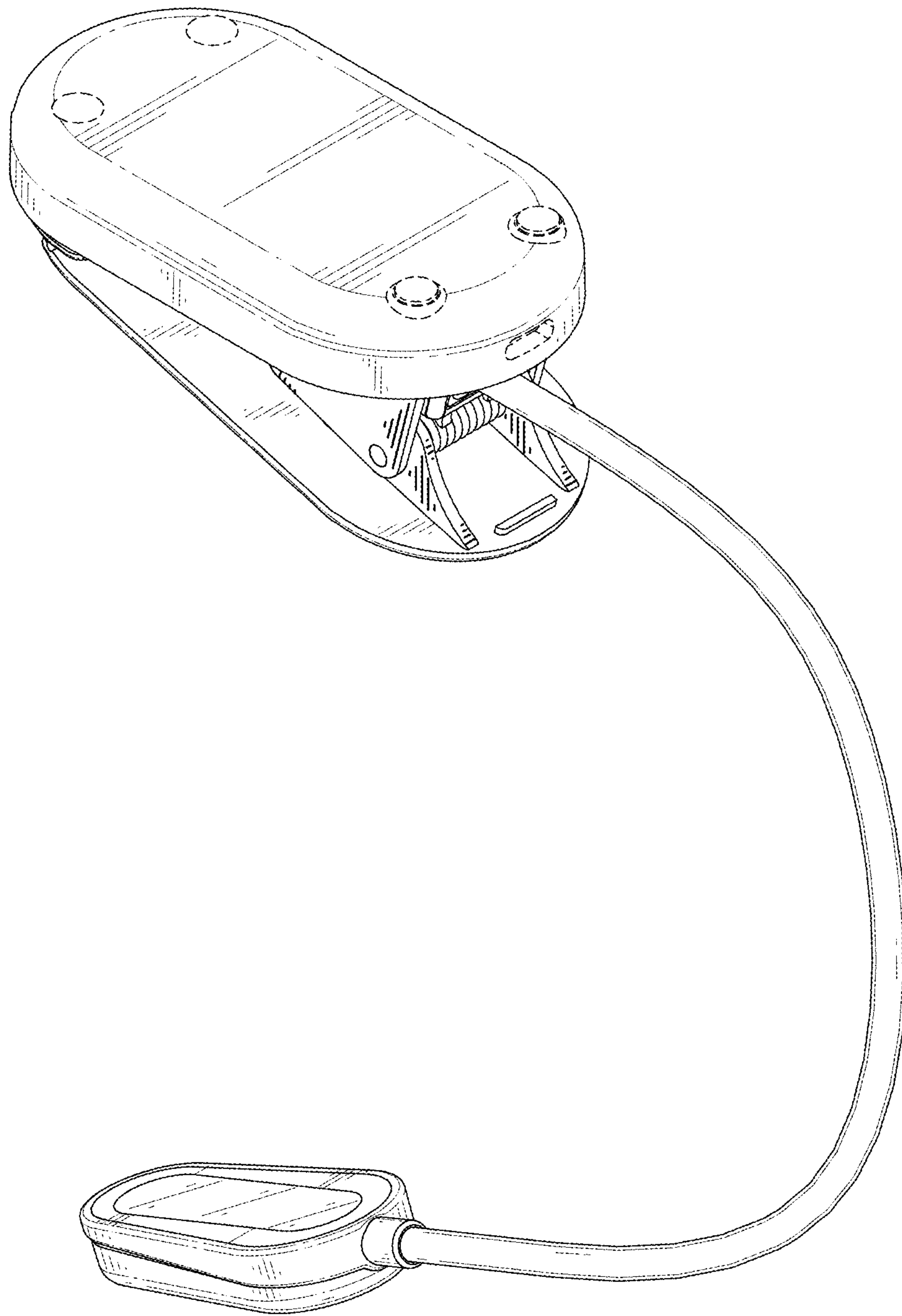


FIG. 2

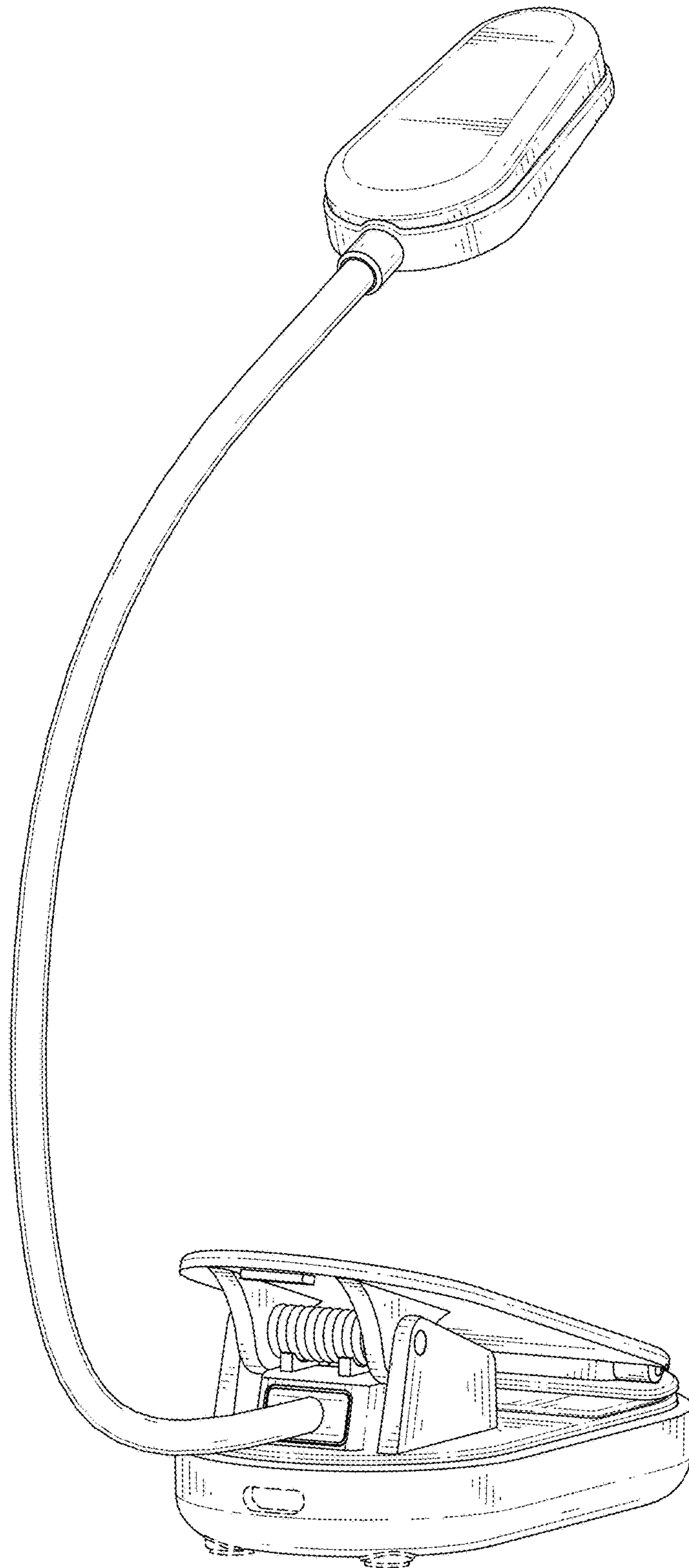


FIG. 3

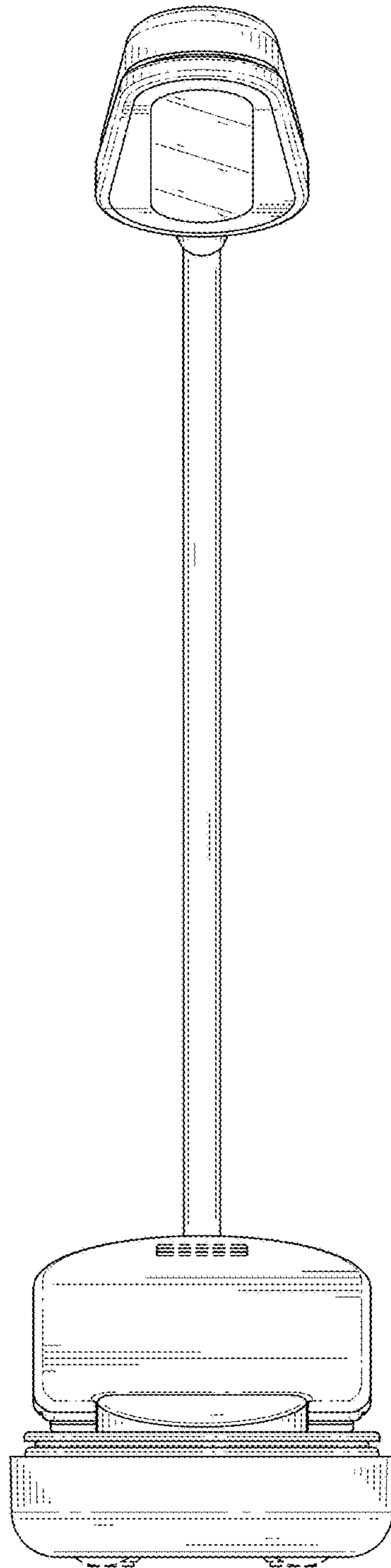


FIG. 4

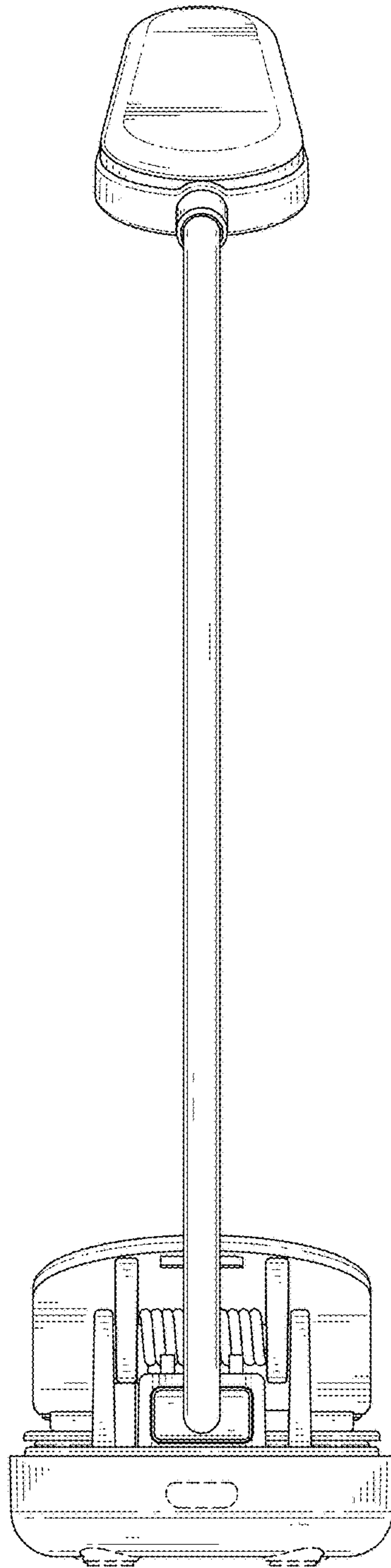


FIG. 5

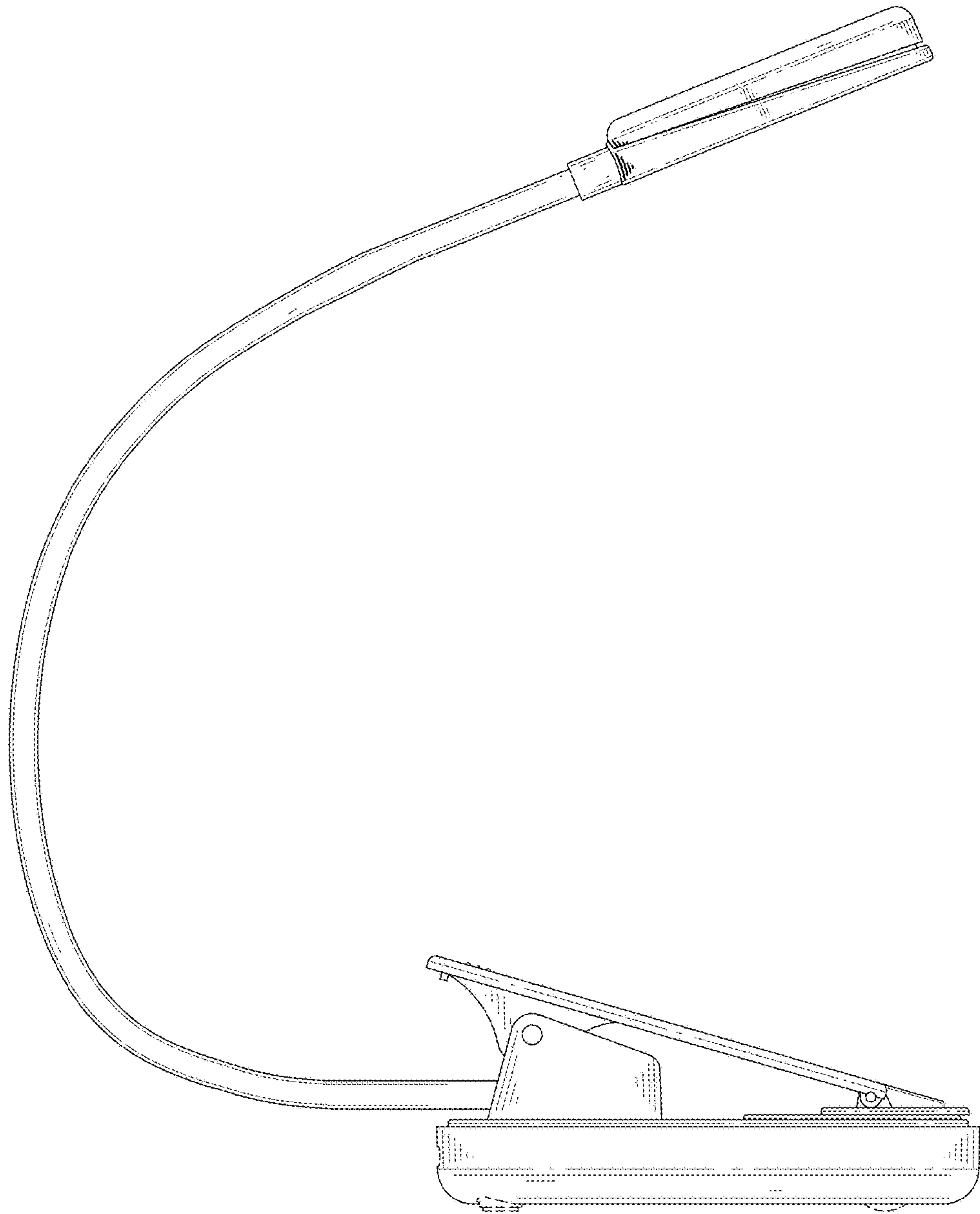


FIG. 6

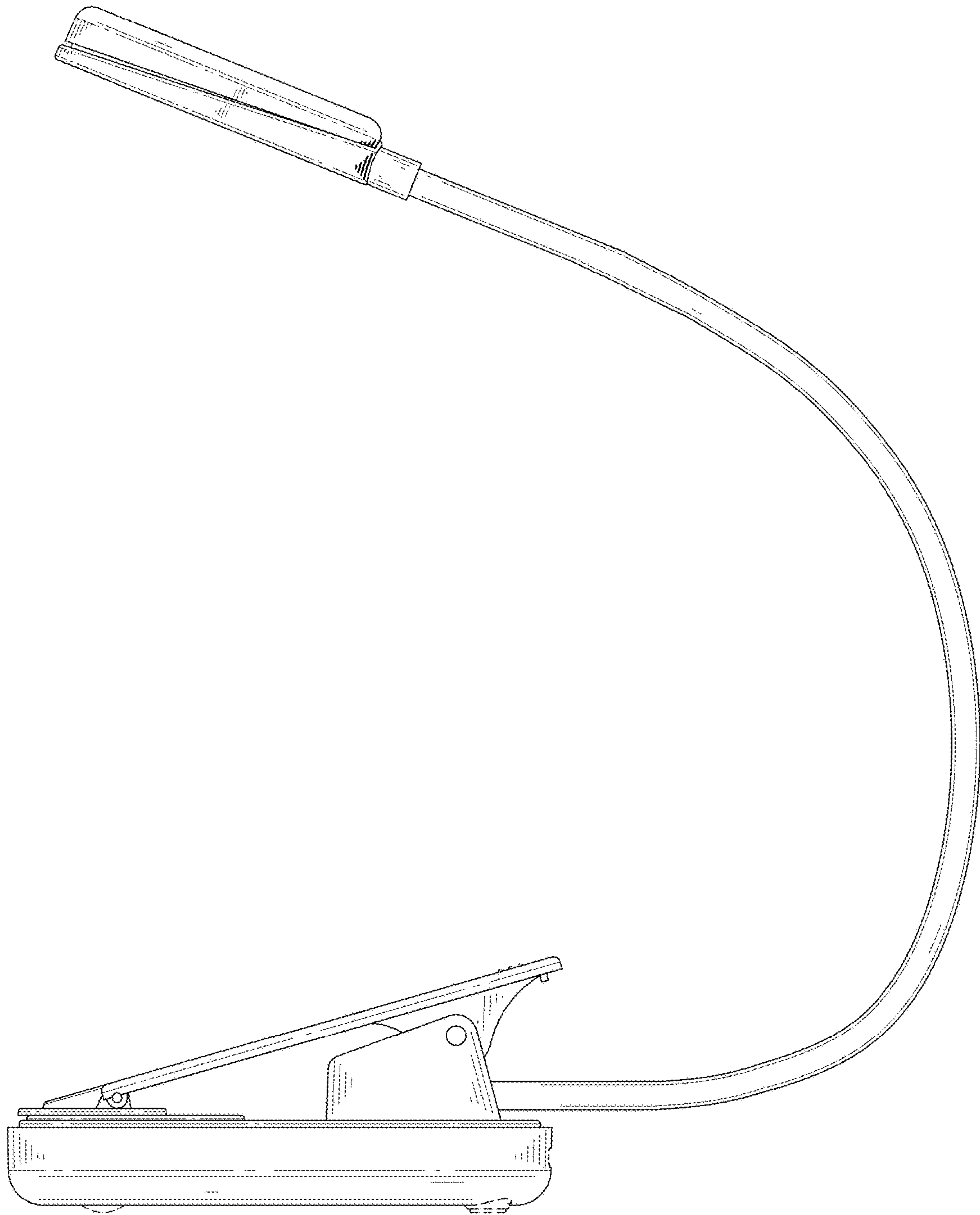


FIG. 7

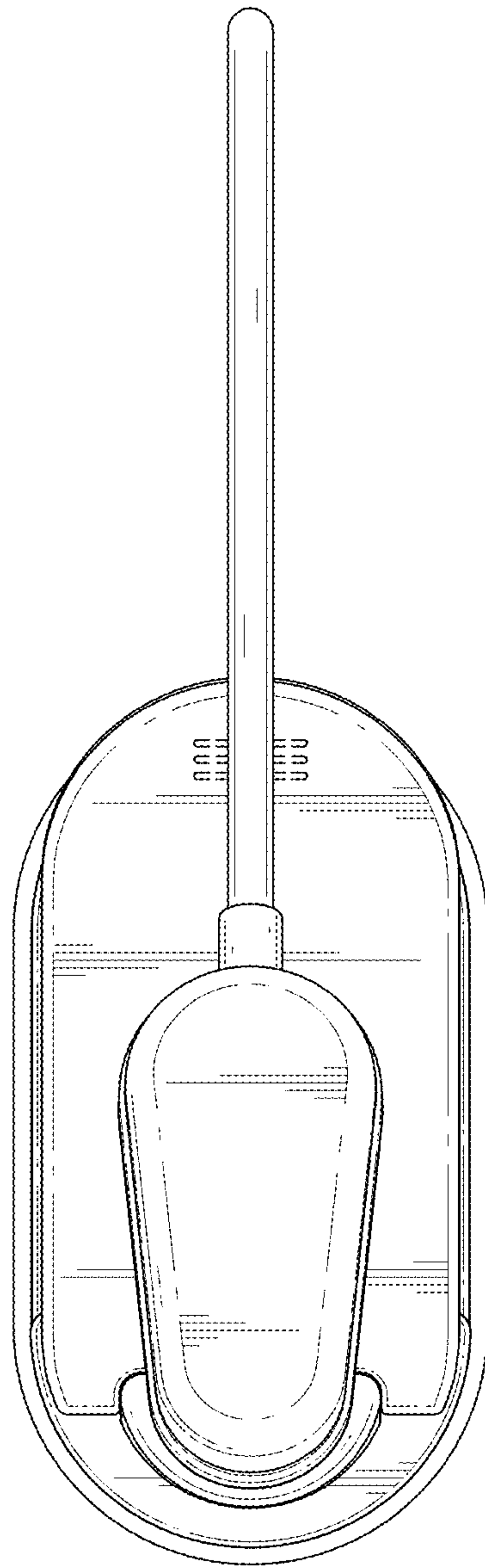


FIG. 8

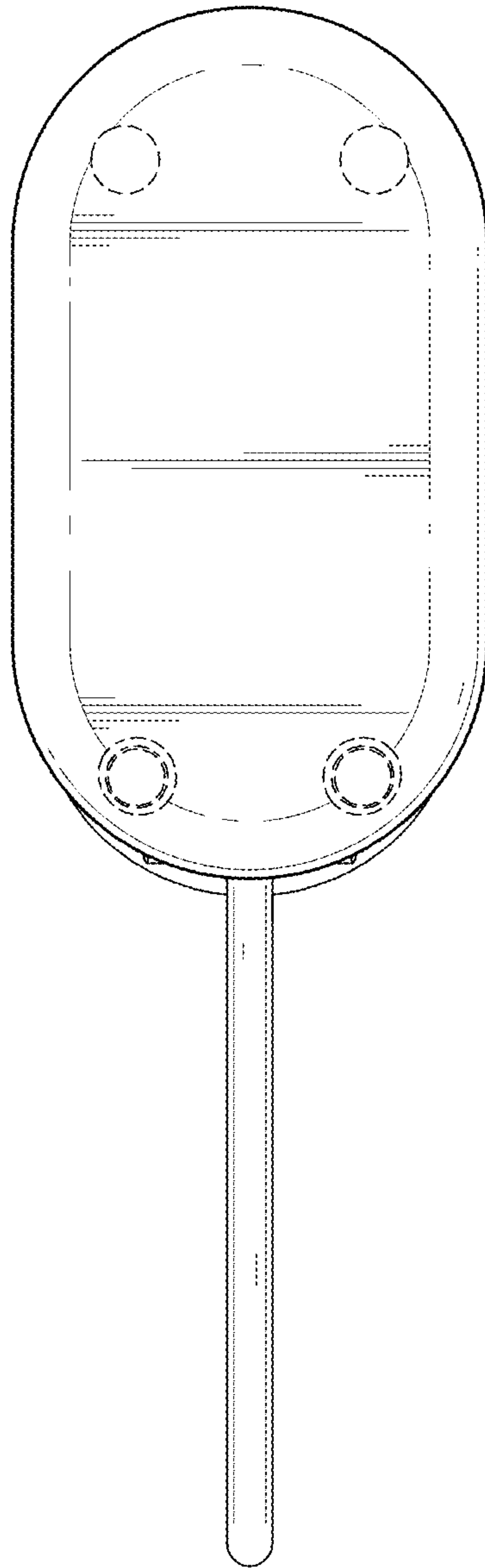


FIG. 9