

US00D825822S

(12) **United States Design Patent**  
**McKenna et al.**

(10) **Patent No.:** **US D825,822 S**  
(45) **Date of Patent:** **\*\* Aug. 14, 2018**

- (54) **LAMP**
- (71) Applicant: **Steelcase Inc.**, Grand Rapids, MI (US)
- (72) Inventors: **Mark McKenna**, East Grand Rapids, MI (US); **Ryan D. Vaughan**, Lowell, MI (US)
- (73) Assignee: **Steelcase Inc.**, Grand Rapids, MI (US)
- (\*\*) Term: **15 Years**
- (21) Appl. No.: **29/606,902**

D669,626 S	10/2012	Huang	
D673,714 S	1/2013	Starck	
D674,128 S	1/2013	McCoy et al.	
D678,593 S	3/2013	Huang	
D681,865 S	5/2013	Lee	
D687,584 S	8/2013	Shek	
D689,237 S	9/2013	Ke	
D689,643 S	9/2013	Huang	
D690,861 S	10/2013	Huang	
D728,845 S	5/2015	Huang	
D729,964 S	5/2015	Huh	
D739,976 S	9/2015	Wu et al.	
D742,579 S *	11/2015	Starck	..... D26/107
D742,580 S	11/2015	Gilad	

(Continued)

- (22) Filed: **Jun. 8, 2017**
- (51) **LOC (11) Cl.** ..... **26-03**
- (52) **U.S. Cl.**  
USPC ..... **D26/107**
- (58) **Field of Classification Search**  
USPC ..... D26/24, 93, 106, 107  
CPC .... F21S 6/00; F21S 6/002; F21S 6/004; F21S 6/008; F21S 8/08; F21V 5/00; F21W 2121/00; F21W 2131/30  
See application file for complete search history.

**FOREIGN PATENT DOCUMENTS**

EM	000698774-0005	3/2007
EP	2573455 A3	12/2014

*Primary Examiner* — Brian N. Vinson

(57) **CLAIM**

We claim the ornamental design for a lamp, as illustrated and described.

**DESCRIPTION**

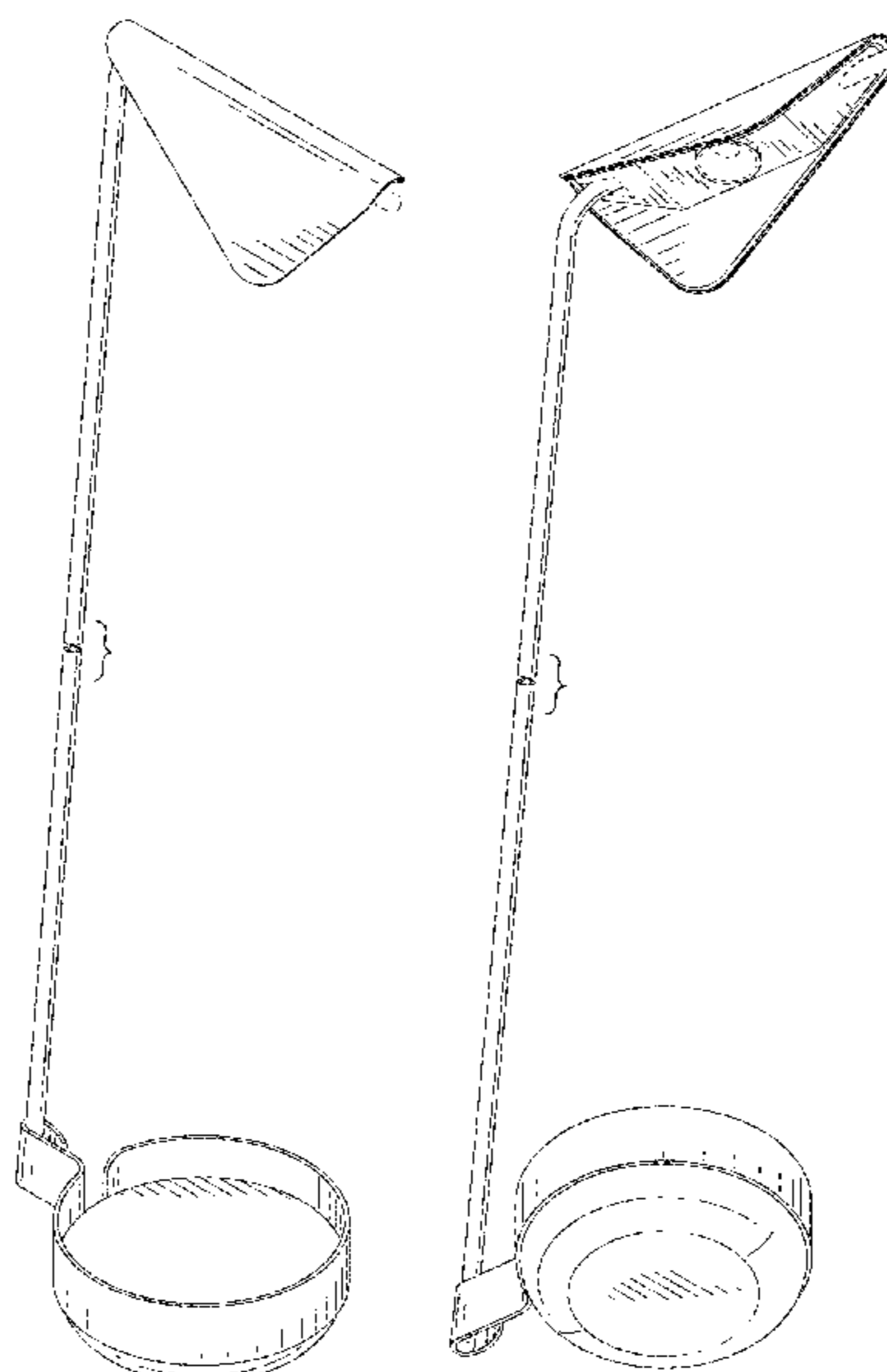
FIG. 1 is a front perspective view of a lamp;  
 FIG. 2 is a rear perspective view of the lamp of FIG. 1;  
 FIG. 3 is a bottom perspective view of the lamp of FIG. 1;  
 FIG. 4 is a front view of the lamp of FIG. 1;  
 FIG. 5 is a rear view of the lamp of FIG. 1;  
 FIG. 6 is a right side view of the lamp of FIG. 1;  
 FIG. 7 is a left side view of the lamp of FIG. 1;  
 FIG. 8 is a top view of the lamp of FIG. 1; and,  
 FIG. 9 is a bottom view of the lamp of FIG. 1.

The broken line disclosure represents portions of the lamp which form no part of the claimed design, and the area between the symbols indicating that the structure is broken away forms no part of the claimed design.

**1 Claim, 7 Drawing Sheets**

(56) **References Cited**  
 U.S. PATENT DOCUMENTS

D165,652 S *	1/1952	Ingolia, Jr.	..... D26/107
D286,818 S	11/1986	Engel	
D295,327 S	4/1988	Ansems	
D296,480 S	6/1988	Engel	
D349,582 S *	8/1994	Bain	..... D26/107
D392,068 S	3/1998	Newhouse	
D582,090 S	12/2008	Osgerby et al.	
D589,646 S	3/2009	Sabernig	
D595,009 S	6/2009	Osgerby et al.	
D600,849 S *	9/2009	Osgerby	..... D26/107
D604,449 S	11/2009	Shum et al.	
D617,026 S	6/2010	Huang	
D623,328 S	9/2010	Huang	
D663,062 S	7/2012	Ng et al.	



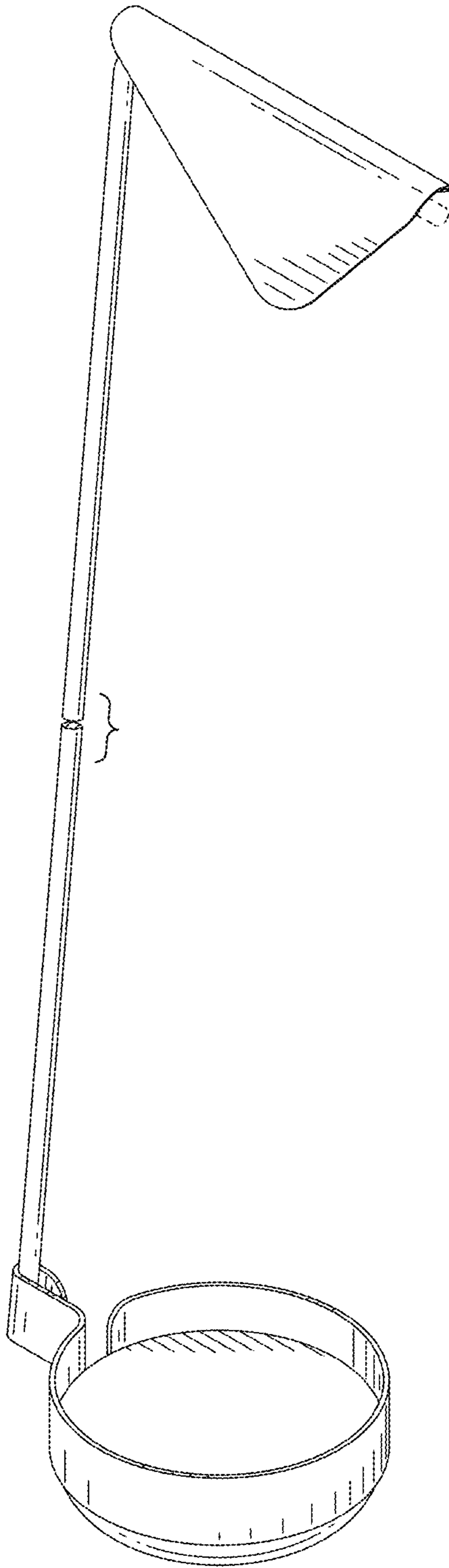
(56)

**References Cited**

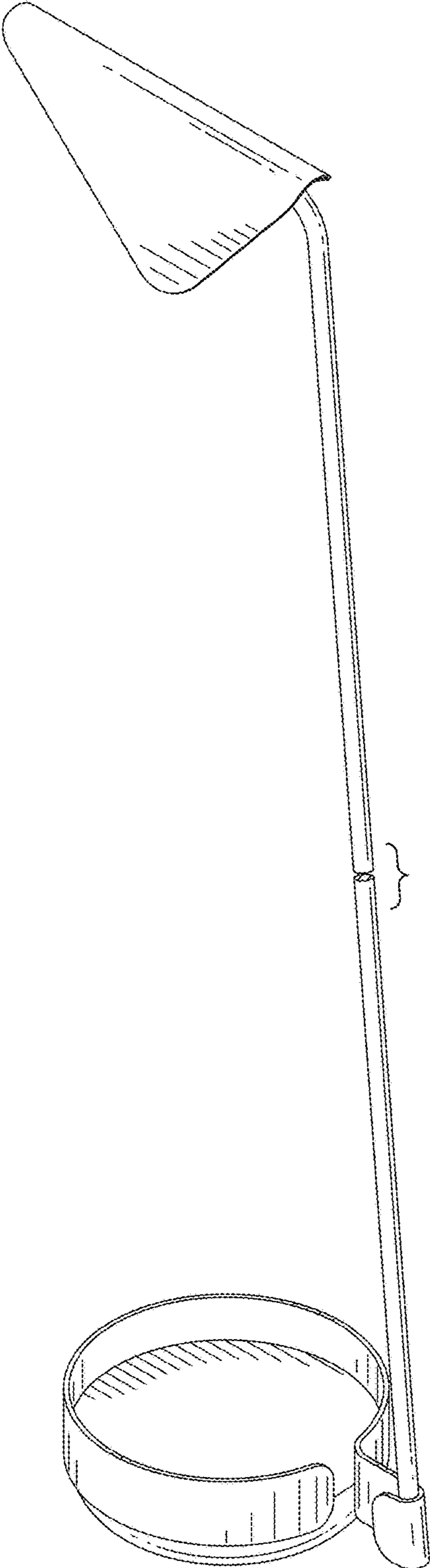
U.S. PATENT DOCUMENTS

D744,683 S	12/2015	Fukasawa	
D744,692 S	12/2015	Poulton	
D747,536 S	1/2016	Huh	
D757,342 S	5/2016	Xiaoyu et al.	
D759,289 S	6/2016	Newhouse et al.	
D775,399 S	12/2016	Fioravanti	
D777,971 S	1/2017	Citterio	
D780,369 S *	2/2017	Anastasiades .....	D26/107
D780,984 S *	3/2017	Urquiola .....	D26/107

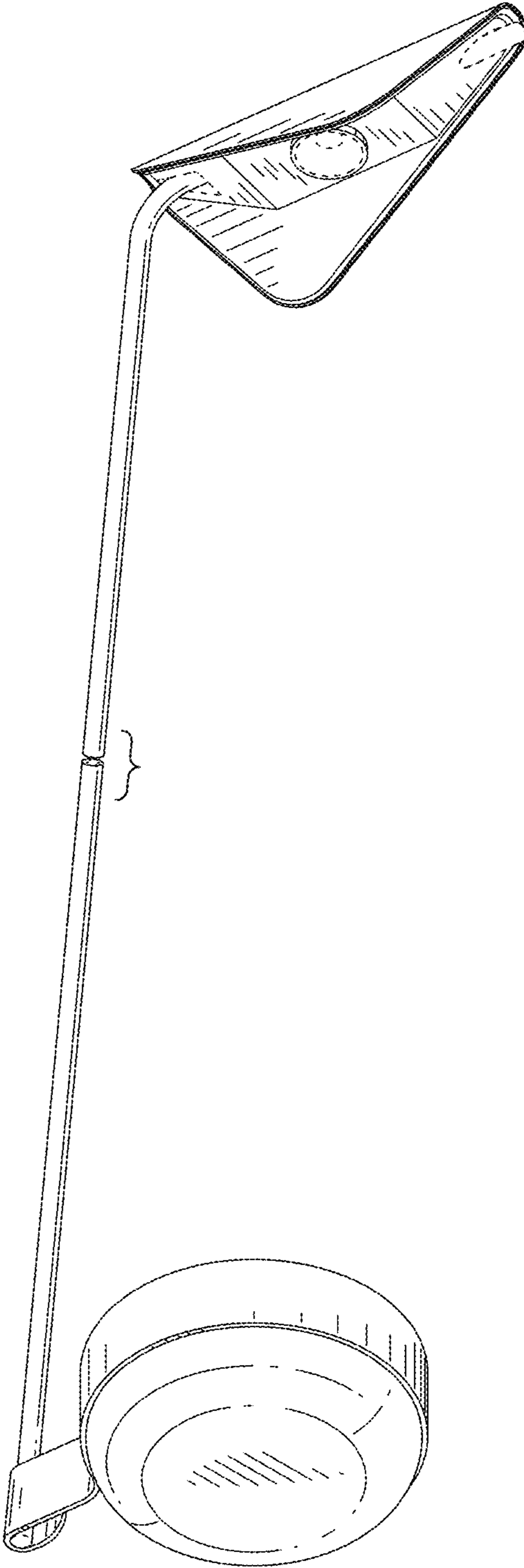
\* cited by examiner



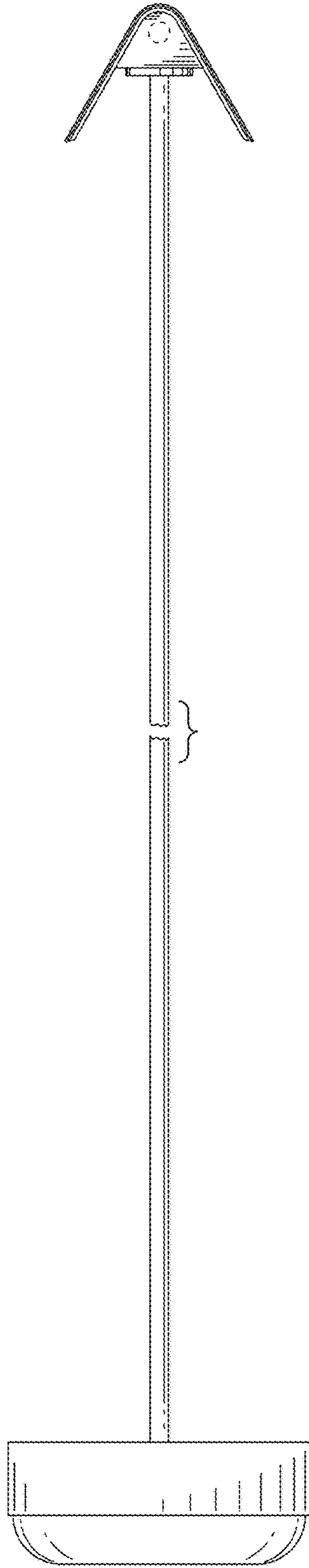
**FIG. 1**



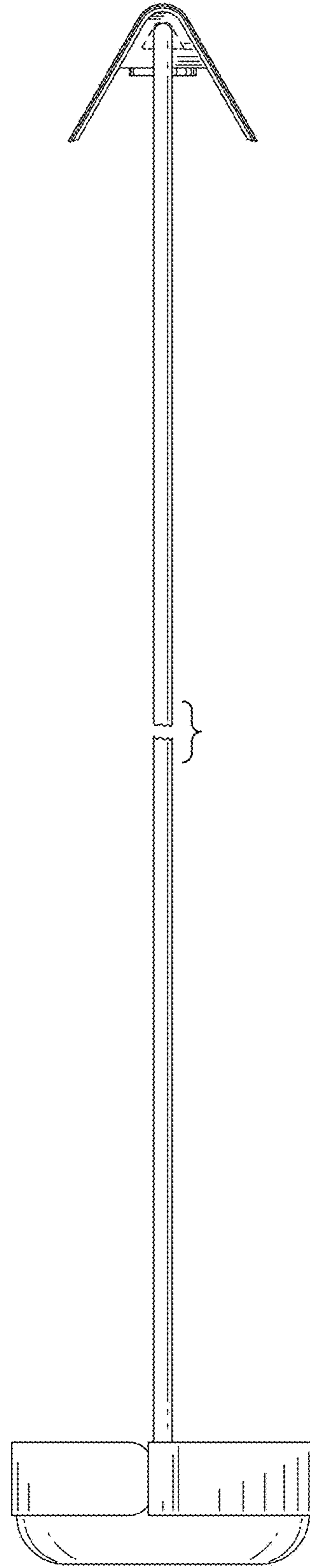
**FIG. 2**



**FIG. 3**



**FIG. 4**



**FIG. 5**

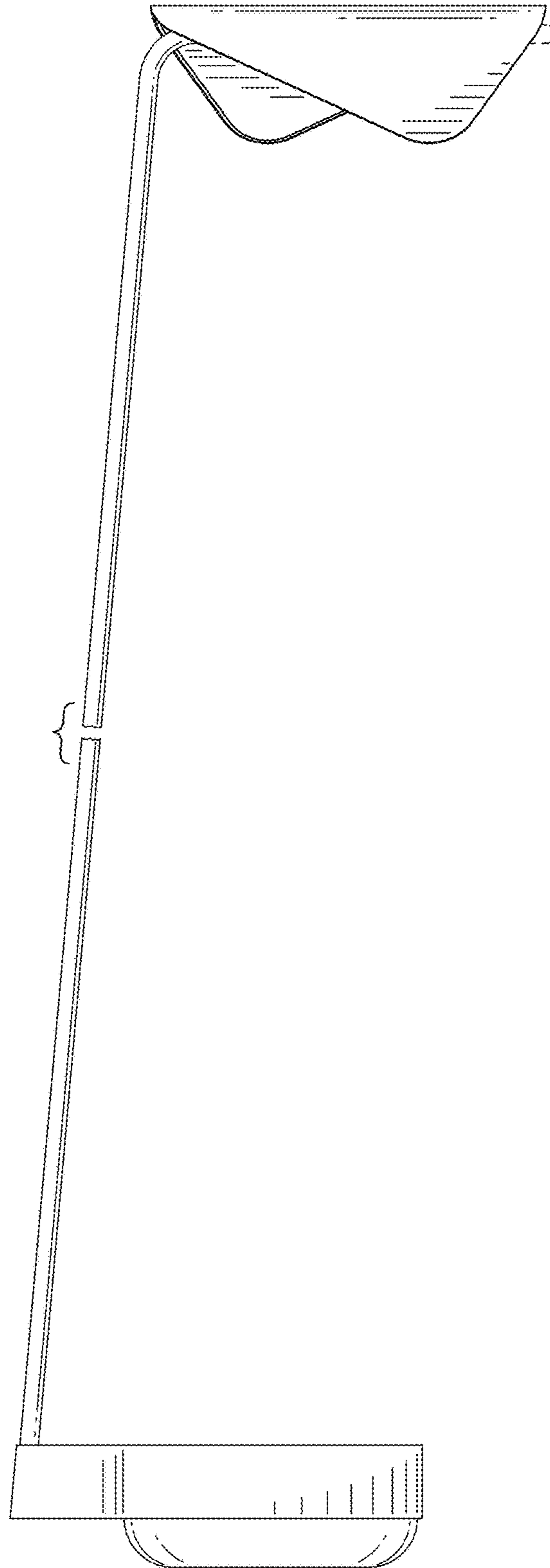
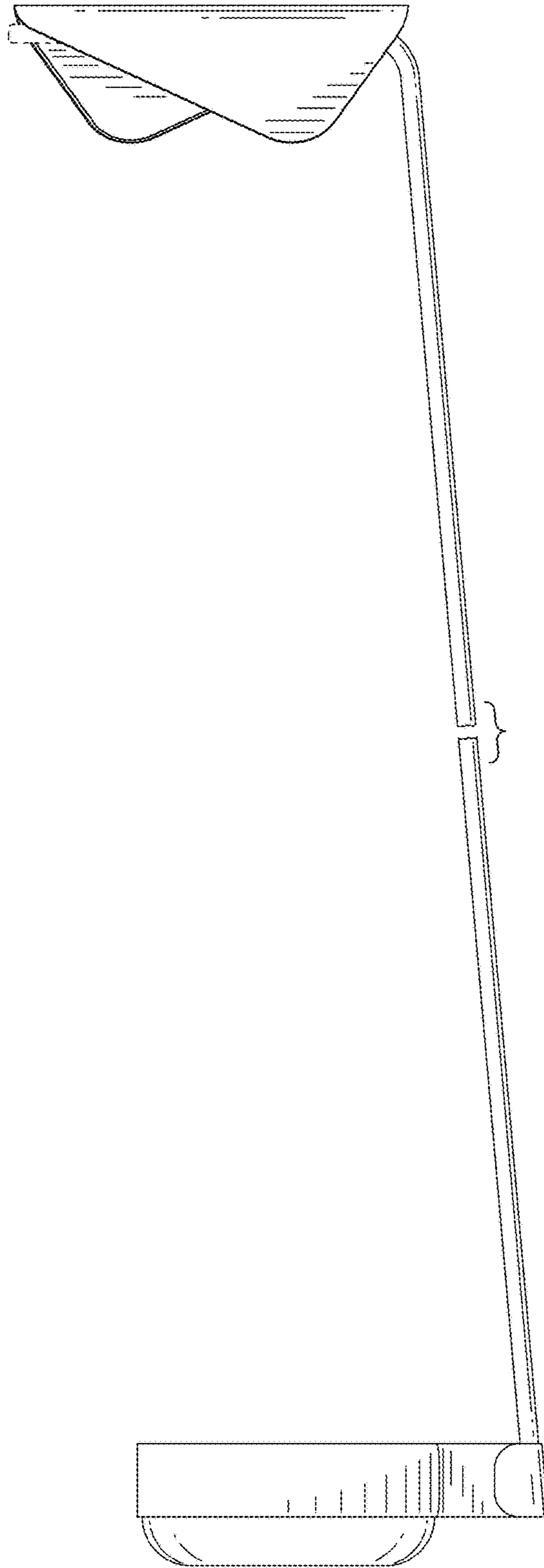
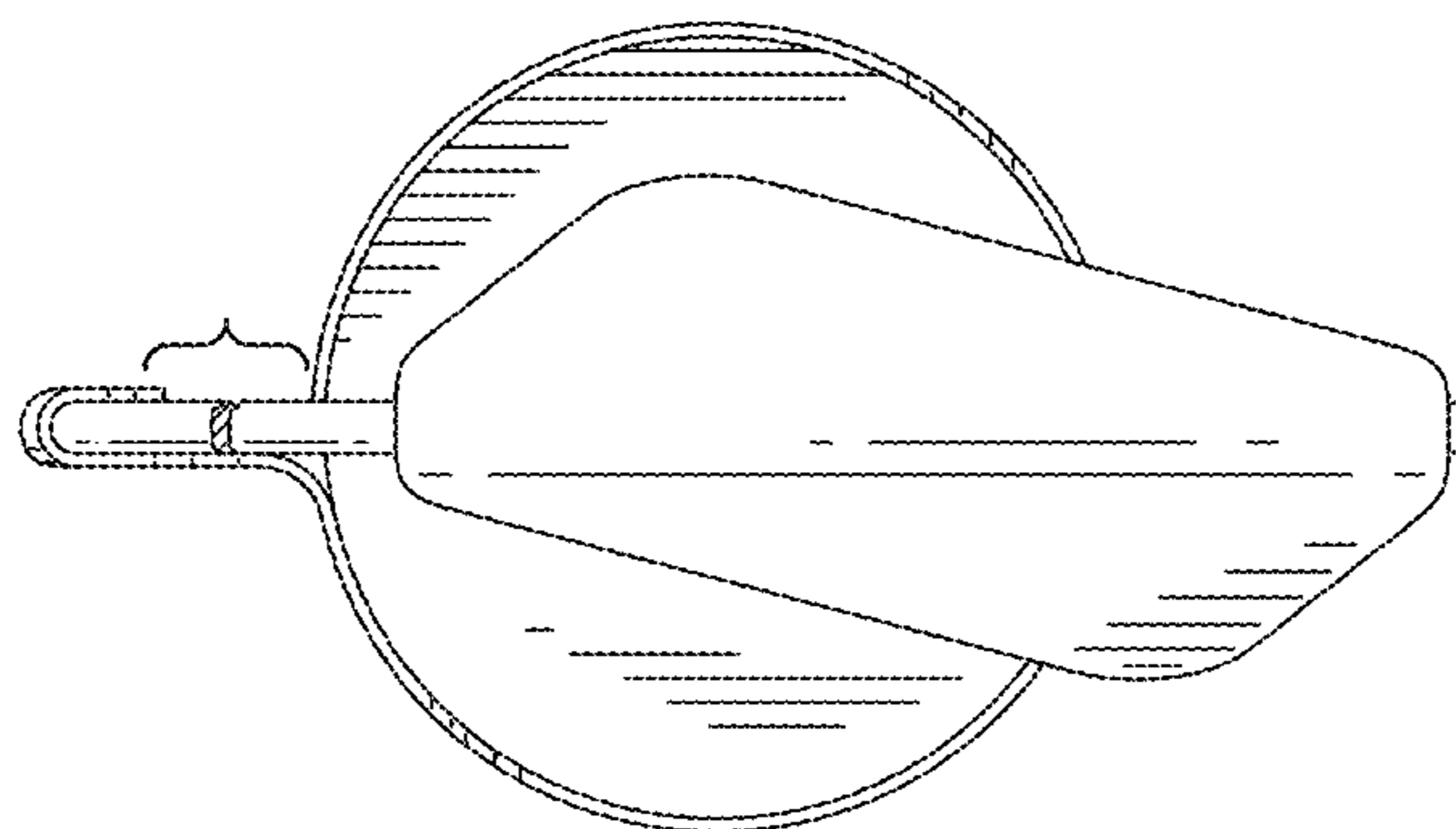


FIG. 6

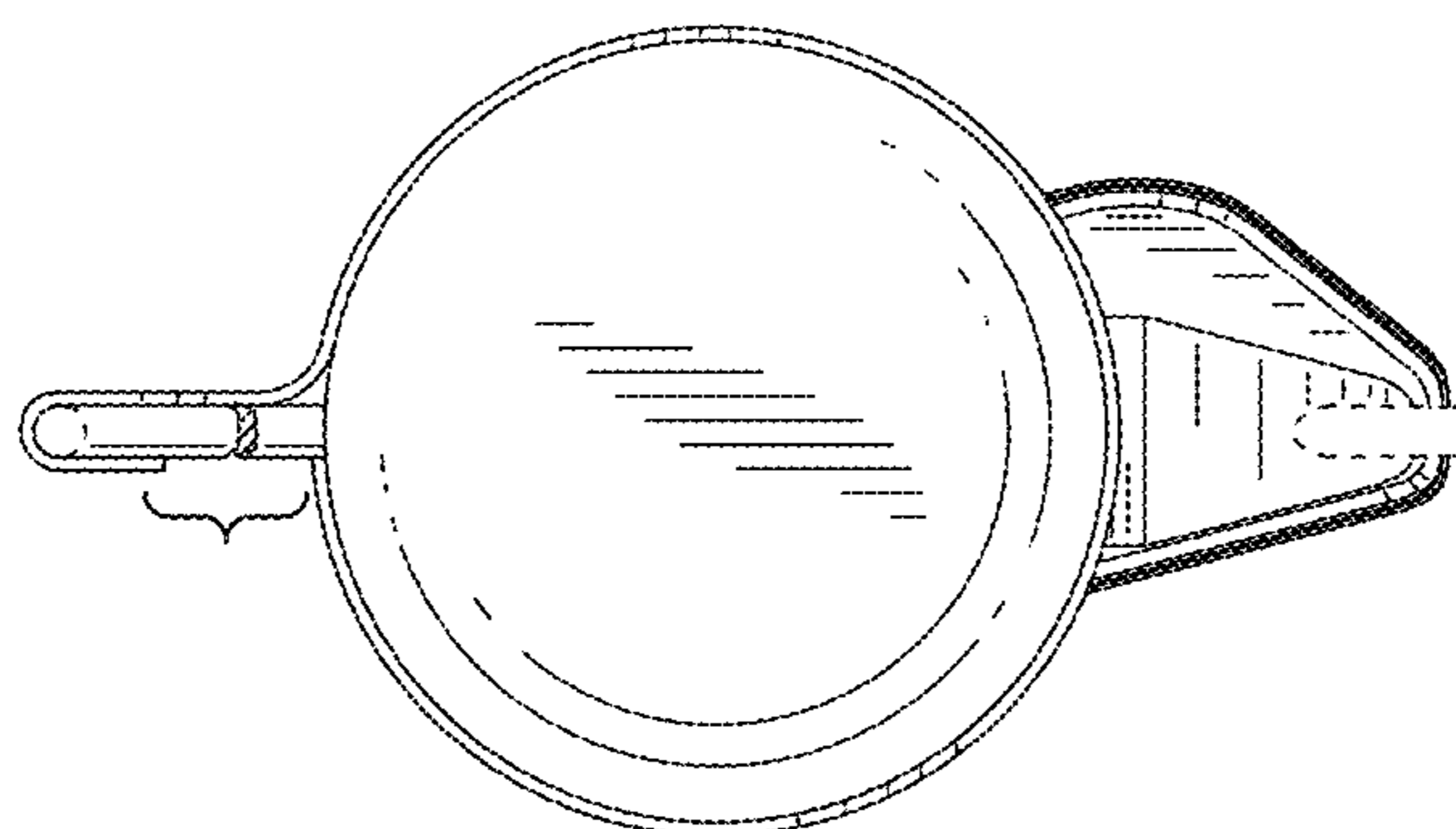


**FIG. 7**





**FIG. 8**



**FIG. 9**