



US00D825821S

(12) **United States Design Patent** (10) **Patent No.:** **US D825,821 S**
Nguyen-Viveros (45) **Date of Patent:** **** Aug. 14, 2018**

(54) **FLICKER CANDLE**
(71) Applicant: **MerchSource, LLC**, Irvine, CA (US)
(72) Inventor: **Y-Co Thy Nguyen-Viveros**, Irvine, CA (US)
(73) Assignee: **MerchSource, LLC**, Irvine, CA (US)
(**) Term: **15 Years**

7,125,142 B2 10/2006 Wainwright
7,159,994 B2 1/2007 Schnuckle et al.
7,252,423 B1 8/2007 Wang
7,261,455 B2 8/2007 Schnuckle et al.
7,332,878 B1 2/2008 Smith
7,350,720 B2 4/2008 Jaworski et al.
D569,541 S 5/2008 Shiu
D575,336 S * 8/2008 Qiu D19/163
D576,317 S 9/2008 Jensen
7,633,232 B2 12/2009 Wong
7,670,035 B2 3/2010 Tsai
(Continued)

(21) Appl. No.: **29/608,934**
(22) Filed: **Jun. 27, 2017**
(51) **LOC (11) Cl.** **26-03**
(52) **U.S. Cl.**
USPC **D26/96**
(58) **Field of Classification Search**
USPC D26/4, 5, 6, 7, 9, 94, 96
CPC F21S 6/00; F21S 6/001; F21S 10/04; F21S 10/10; F21S 10/043; F21S 8/08; F21S 48/115; F21V 21/00; F21V 35/00; F21W 2121/00; C11C 5/002; C11C 5/004
See application file for complete search history.

OTHER PUBLICATIONS

Simplex; <http://www.amazon.com/simplex-Flameless-Free-Flowing-Fireless-Battery-Operated/dp/B00WQP4J5E>; downloaded from Internet on Oct. 5, 2017; App.

(Continued)

Primary Examiner — Brian N. Vinson
(74) *Attorney, Agent, or Firm* — Avyno Law P.C.

(57) **CLAIM**

I claim the ornamental design for a flicker candle, as shown and described.

(56) **References Cited**

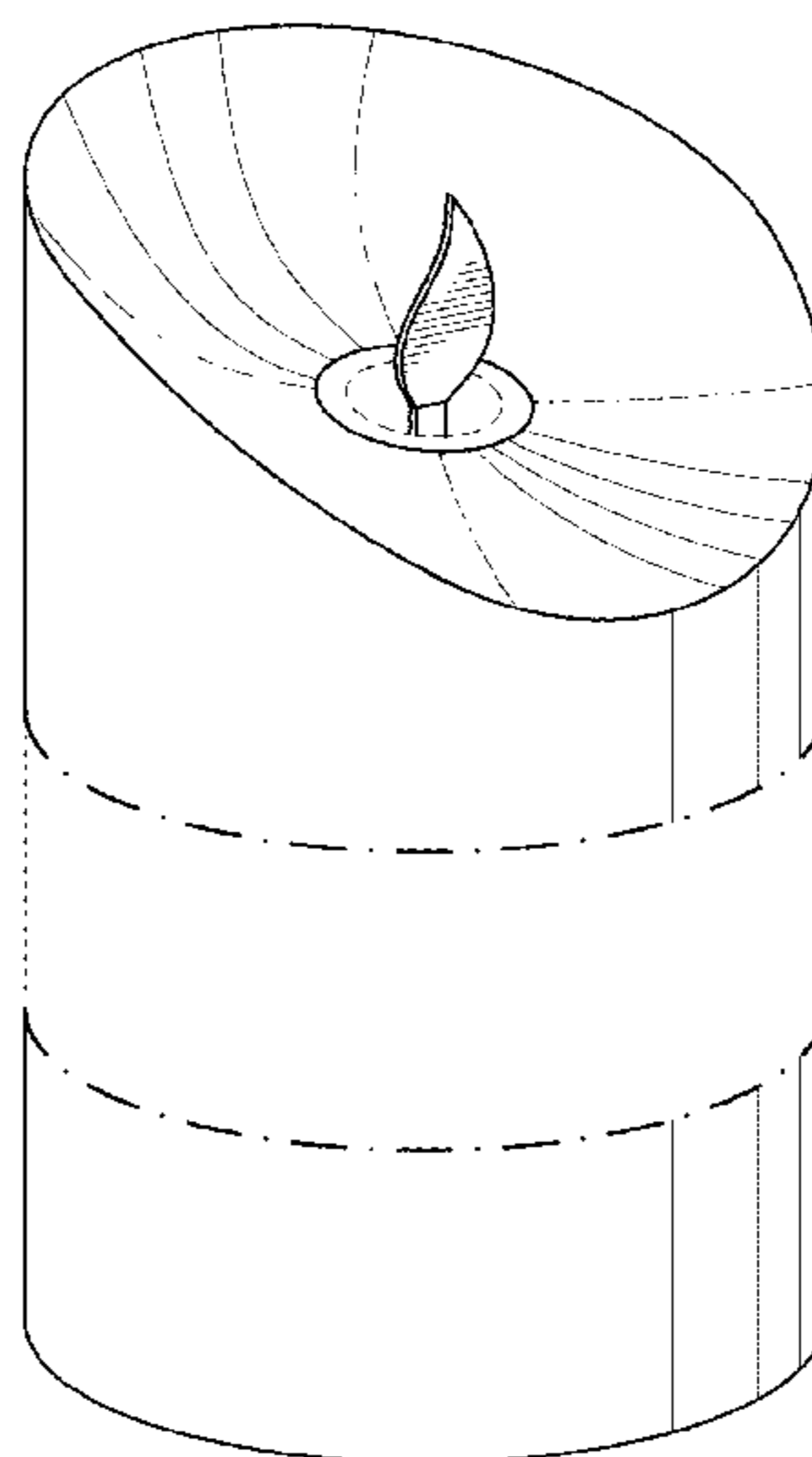
U.S. PATENT DOCUMENTS

3,639,749	A	2/1972	Beckman
4,328,534	A	5/1982	Abe
4,551,794	A	11/1985	Sandell
4,593,232	A	6/1986	McEdwards
5,097,180	A	3/1992	Ignon et al.
5,327,332	A	7/1994	Hafemeister
D406,379	S	3/1999	Andrews
6,616,308	B2	9/2003	Jensen et al.
D486,924	S	2/2004	Skradski et al.
D488,582	S	4/2004	Connelly et al.
6,719,443	B2	4/2004	Gutstein et al.
6,926,423	B2	8/2005	Bucher et al.
7,029,146	B2	4/2006	Kitchen
7,093,949	B2	8/2006	Hart et al.
7,121,686	B1	10/2006	Chu

DESCRIPTION

FIG. 1 is a front perspective view of a flicker candle. FIG. 2 is a rear view of the flicker candle of FIG. 1. FIG. 3 is a front view of the flicker candle of FIG. 1. FIG. 4 is a side view of the right side of the flicker candle of FIG. 1. FIG. 5 is a side view of the left side of the flicker candle of FIG. 1. FIG. 6 is a top view of the flicker candle of FIG. 1; and, FIG. 7 is a bottom view of the flicker candle of FIG. 1. The broken lines shown are included for the purpose of illustrating the unclaimed portions of the article and form no part of the claimed design.

1 Claim, 4 Drawing Sheets



(56)

References Cited

U.S. PATENT DOCUMENTS

7,824,627 B2 11/2010 Michaels et al.
 7,837,355 B2 11/2010 Schnuckle
 7,850,327 B2 12/2010 Campbell et al.
 D645,171 S 9/2011 Hau et al.
 8,070,319 B2 12/2011 Schnuckle et al.
 8,157,425 B2 4/2012 Gutstein et al.
 8,215,789 B2 7/2012 Howard
 8,337,057 B2 12/2012 Chartrand et al.
 8,408,951 B1 4/2013 Chartrand
 8,550,660 B2 10/2013 Patton et al.
 8,562,186 B2 10/2013 Gutstein et al.
 8,646,946 B2 2/2014 Schnuckle et al.
 8,662,698 B2 3/2014 Sagna et al.
 8,696,166 B2 4/2014 Patton et al.
 8,721,118 B2 5/2014 Patton et al.
 8,733,986 B2 5/2014 Hau et al.
 D706,963 S * 6/2014 Thompson D26/96
 8,777,465 B2 7/2014 Patton et al.
 8,783,888 B2 7/2014 McCavit et al.
 8,789,986 B2 7/2014 Li
 8,858,043 B2 10/2014 Gutstein et al.
 8,926,137 B2 1/2015 Li
 8,998,461 B2 4/2015 Gutstein et al.
 9,039,233 B2 5/2015 Fournier et al.
 9,068,706 B2 6/2015 Fournier et al.
 D735,399 S * 7/2015 Liu D26/96
 D739,069 S 9/2015 Bologeorges
 9,163,798 B2 10/2015 Chartreand et al.
 9,167,671 B2 10/2015 Fournier
 D743,096 S 11/2015 Patton et al.
 D748,322 S 1/2016 Patton et al.
 D748,843 S 2/2016 Thompson et al.
 9,261,248 B2 2/2016 Fournier et al.
 D752,276 S 3/2016 Thompson et al.

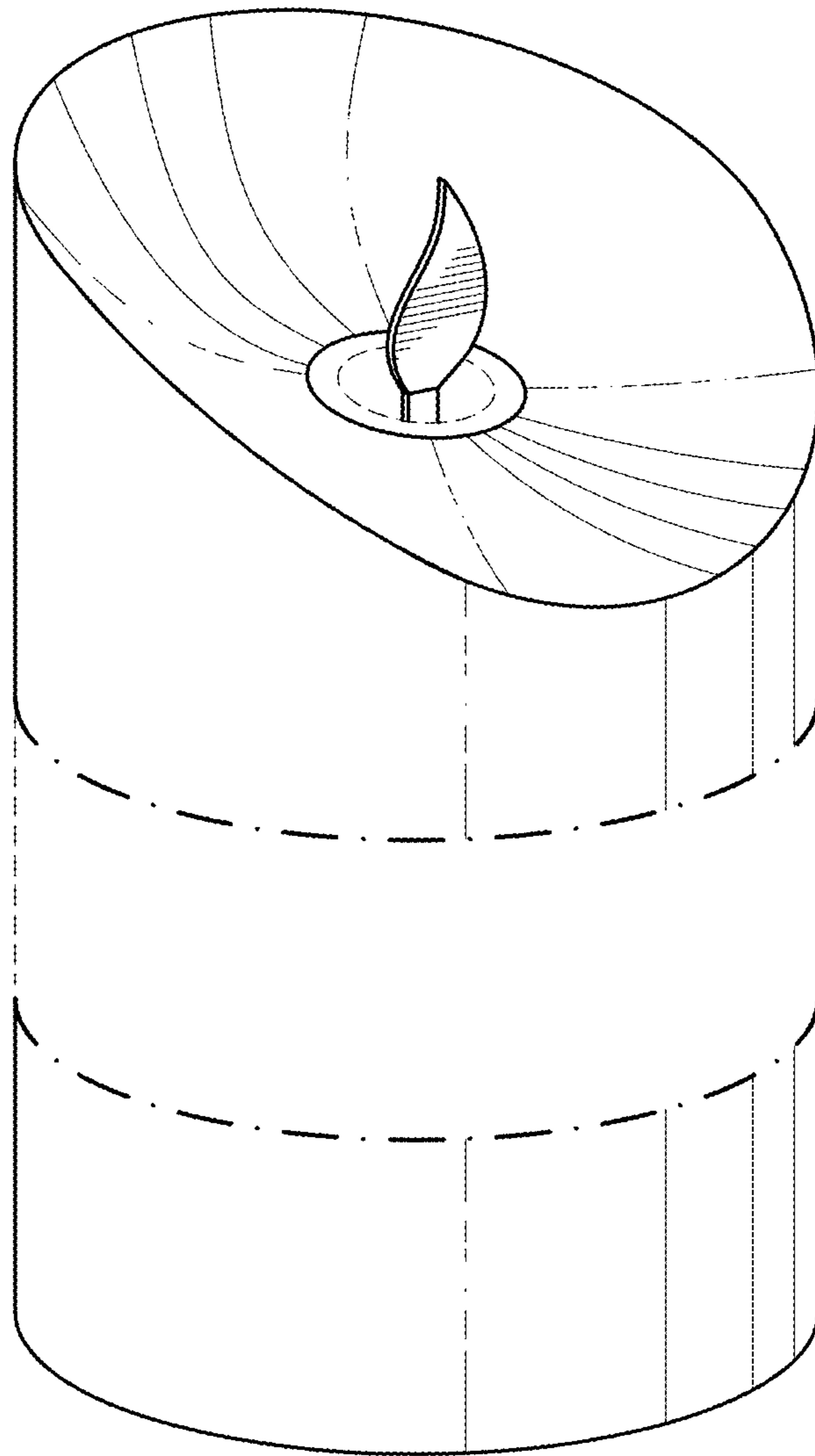
9,322,523 B2 4/2016 Patton et al.
 D757,306 S 5/2016 Li
 D757,335 S 5/2016 Li
 D757,336 S 5/2016 Li
 D757,337 S * 5/2016 Li D26/96
 9,335,014 B2 5/2016 Patton et al.
 D759,858 S 6/2016 Li
 D759,879 S 6/2016 Li
 D760,422 S 6/2016 Li
 D760,423 S 6/2016 Li
 D760,424 S * 6/2016 Li D26/7
 9,447,937 B2 9/2016 Fournier et al.
 9,491,832 B2 11/2016 Gutstein et al.
 9,574,748 B2 2/2017 Dong
 D788,352 S * 5/2017 Patton D26/96
 D793,615 S * 8/2017 Patton D26/96
 D812,285 S * 3/2018 Patton D26/96
 2016/0161071 A1 6/2016 Jean

OTHER PUBLICATIONS

Boston Warehouse; https://www.amazon.com/Boston-Warehouse-Mystique-Flameless-Candle/dp/B00ANJHVK0/ref=sr_1_1?s=home-garden&ie=UTF8&qid=1471636982&sr=1-1&keywords=mystique+flameless+candle; downloaded from Internet on Oct. 4, 2017; 4pp.
 Ontel Products Inc.; http://www.frys.com/product/8361047?source=google&gclid=CjwKEAIA1ITCBRDO-oLA-q_n8xYSJADjBQfGVv6te5lq7dT4PH0C43MVdny6YffWtGbRE-YVWKyiCvhoCUk3w_wcB; downloaded from Internet on Oct. 5, 2017; 1pg.
 Home Innovations; <https://www.amazon.com/Flameless-Changing-Candles-candles-Control/dp/B0013PF26G>; downloaded from Internet on Oct. 5, 2017; 3pp.

* cited by examiner

FIG. 1



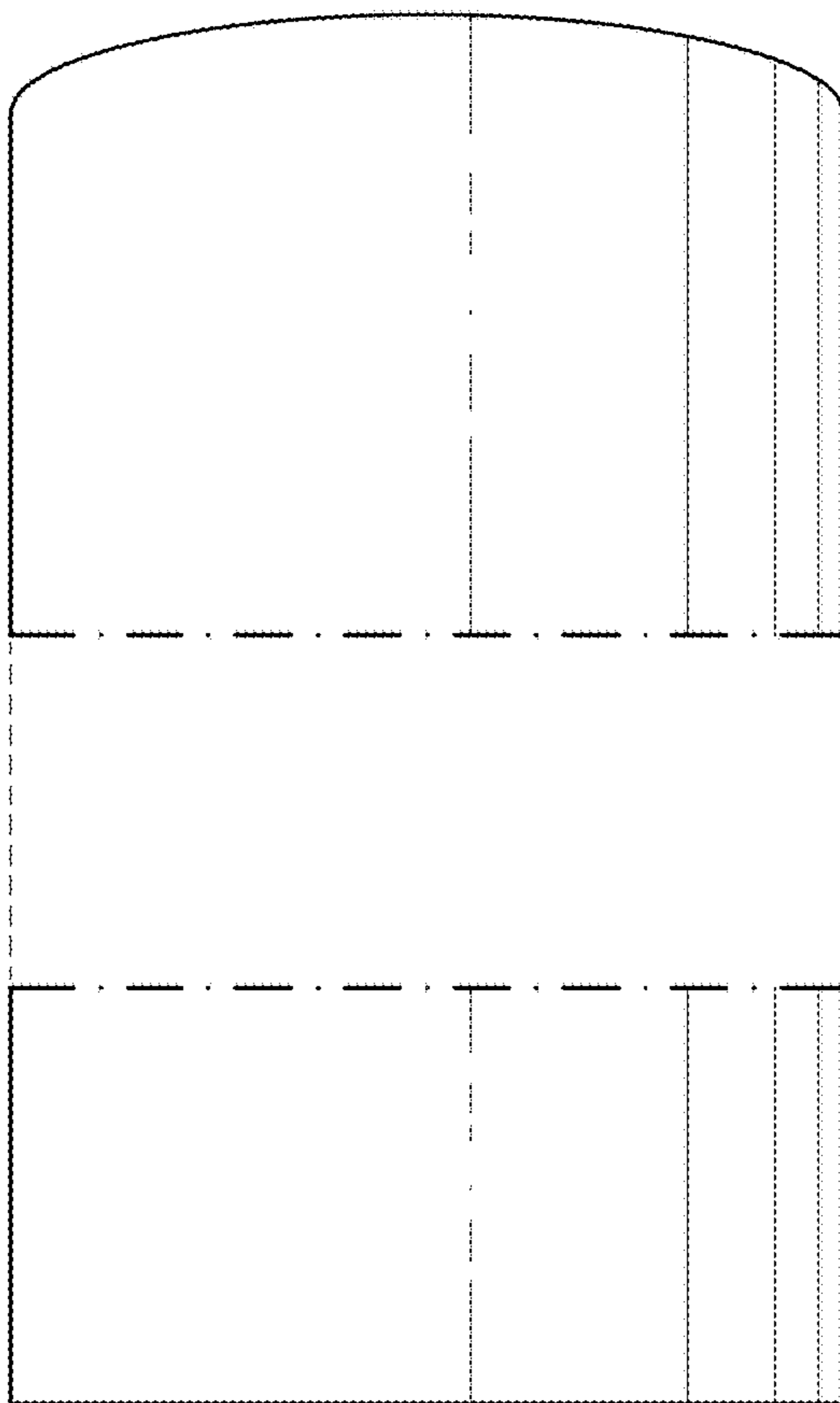


FIG. 2

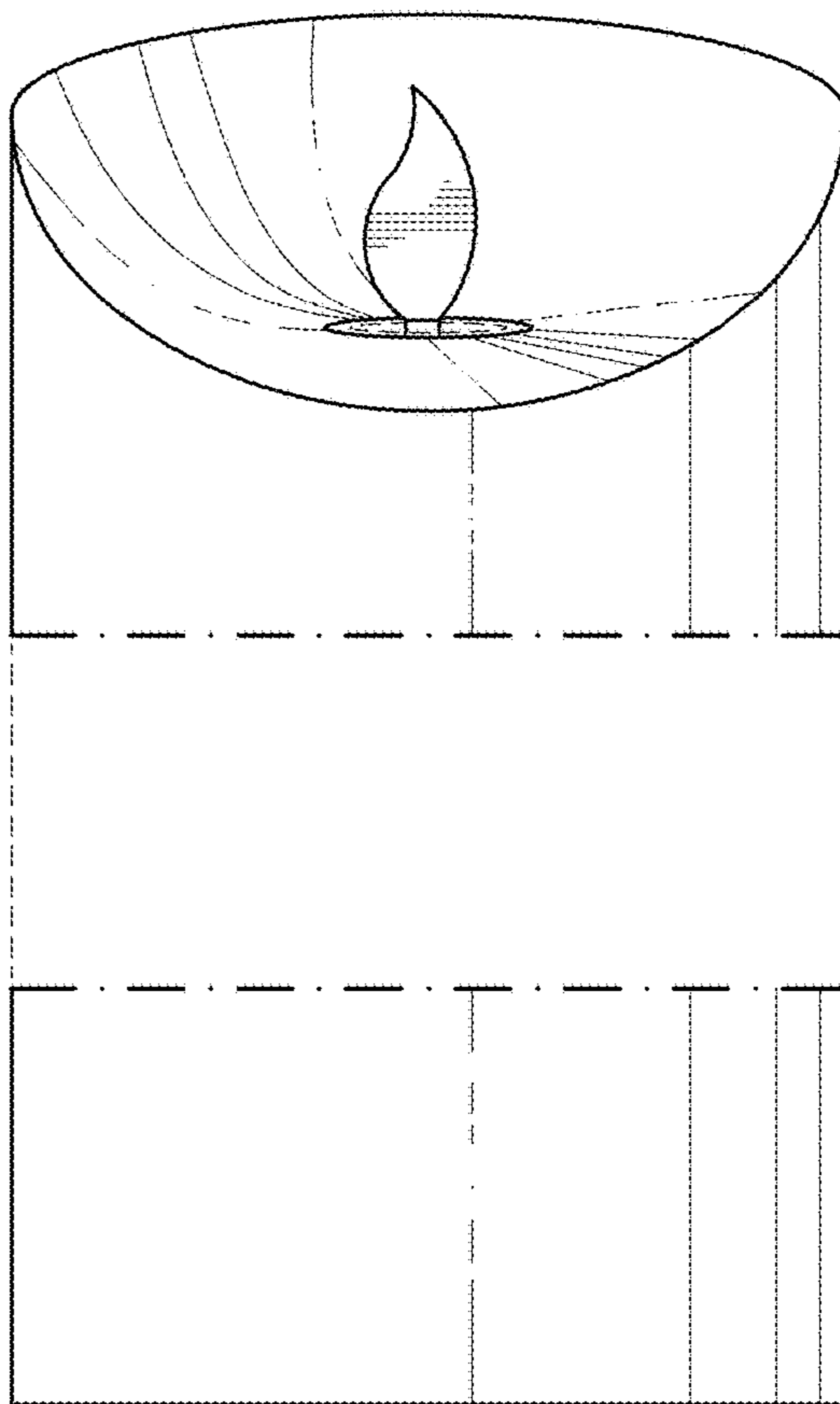


FIG. 3

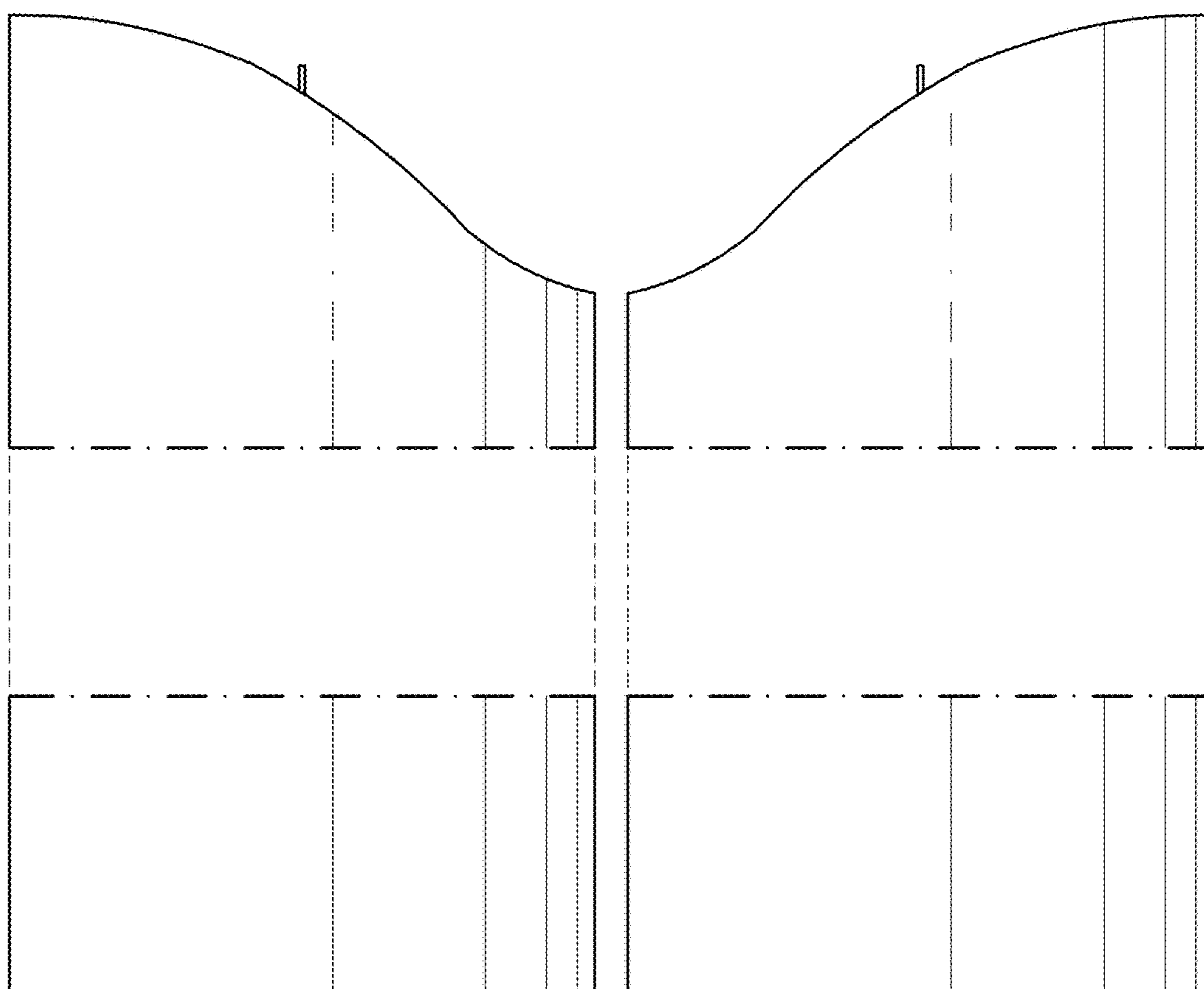


FIG. 4

FIG. 5

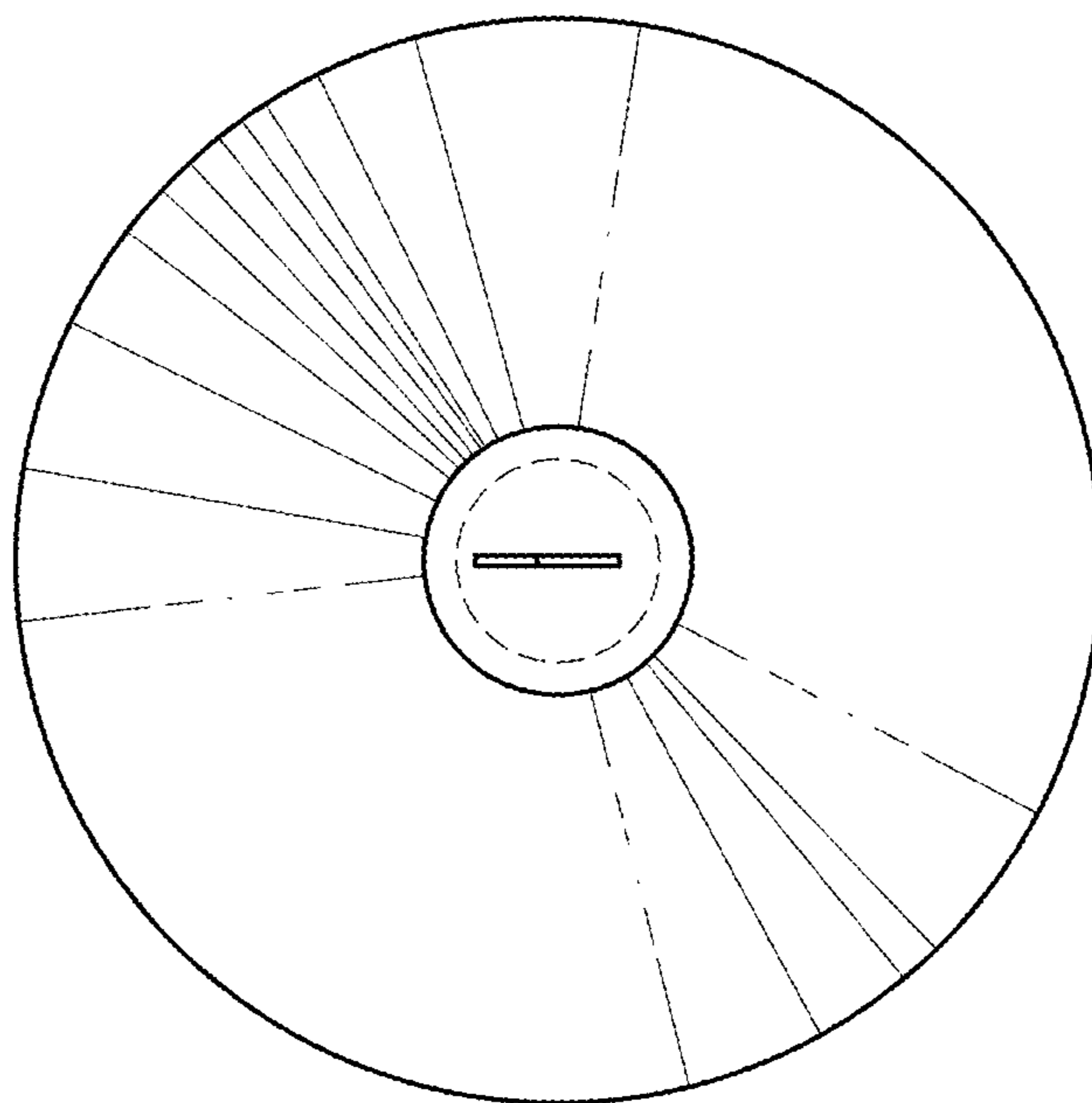


FIG. 6

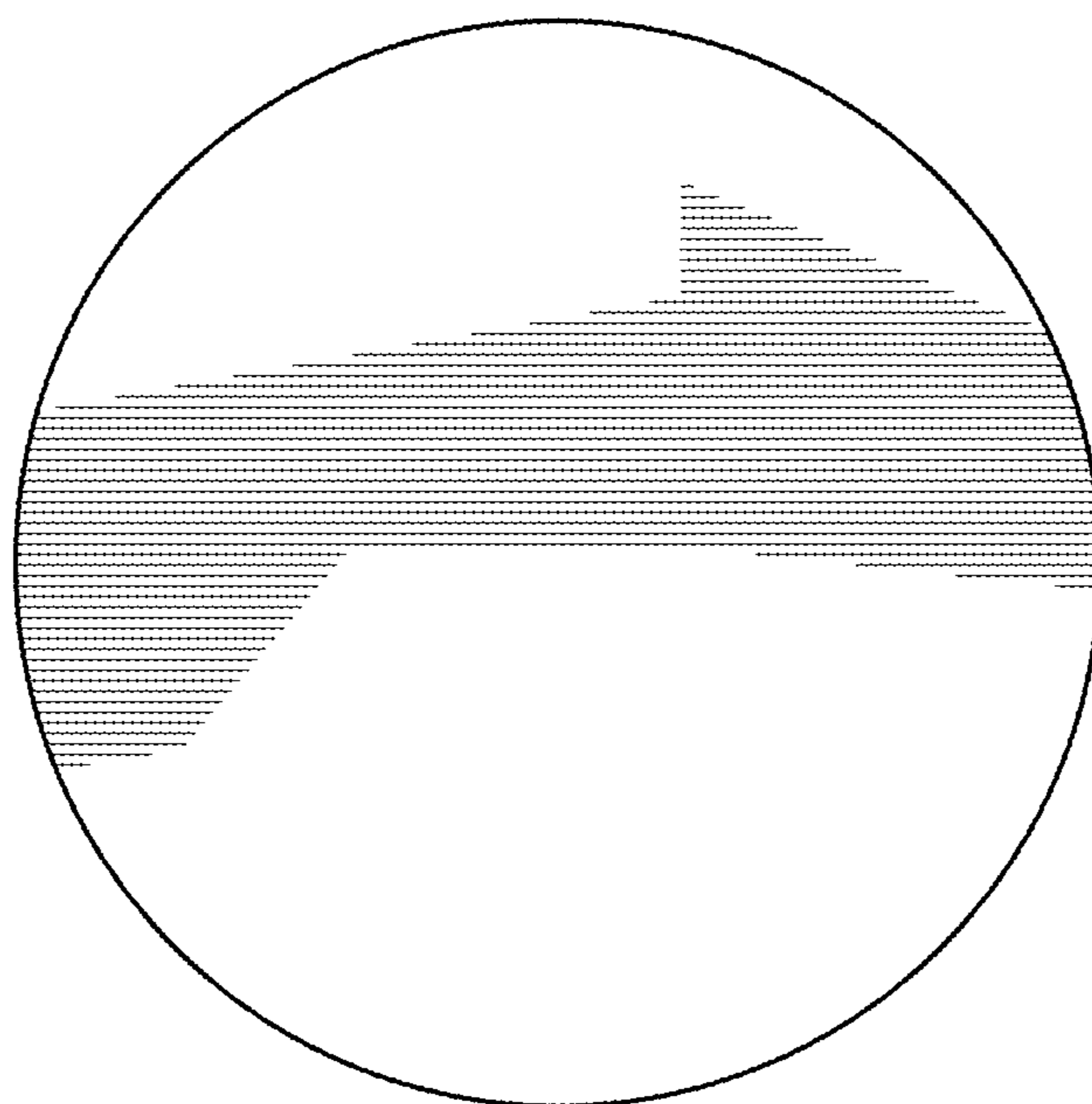


FIG. 7