



US00D825820S

(12) **United States Design Patent**  
**Sonneman**

(10) **Patent No.:** **US D825,820 S**

(45) **Date of Patent:** **\*\* Aug. 14, 2018**

(54) **LIGHT FIXTURE**

(71) Applicant: **Robert A. Sonneman**, Mamaroneck,  
NY (US)

(72) Inventor: **Robert A. Sonneman**, Mamaroneck,  
NY (US)

(73) Assignee: **CONTEMPORARY VISIONS, LLC**,  
Larchmont, NY (US)

(\*\*) Term: **15 Years**

(21) Appl. No.: **29/630,211**

(22) Filed: **Dec. 20, 2017**

(51) **LOC (11) Cl.** ..... **26-03**

(52) **U.S. Cl.**  
USPC ..... **D26/90; D26/88**

(58) **Field of Classification Search**  
USPC ... D26/3, 26, 72, 75, 76, 78, 80, 81, 82, 84,  
D26/86, 88, 90, 91, 113  
CPC .. F21S 2/005; F21S 4/002; F21S 4/008; F21S  
8/031; F21S 8/043; F21S 8/046; F21S  
8/06; F21S 8/061; F21S 8/063; F21S  
8/065; F21S 8/066; F21S 8/068  
See application file for complete search history.

(56) **References Cited**

**U.S. PATENT DOCUMENTS**

D45,539 S *	3/1914	Meyers	.....	D26/90
D399,020 S *	9/1998	Lo	.....	D26/90
D465,872 S *	11/2002	Cacaci	.....	D26/90
D655,856 S *	3/2012	Burks	.....	D26/90
D659,886 S *	5/2012	Wauters	.....	D26/90
D671,676 S *	11/2012	Komarov	.....	D26/88

D698,983 S *	2/2014	Rampolla	.....	D26/88
D768,905 S	10/2016	Sonneman		
D768,906 S	10/2016	Sonneman		
D770,665 S	11/2016	Sonneman		
D783,196 S *	4/2017	Arndt	.....	D26/90
D797,982 S	11/2017	Sonneman		
D806,929 S *	1/2018	Clark	.....	D26/88
D809,699 S *	2/2018	Meise	.....	D26/90
2012/0257391 A1 *	10/2012	Sigel	.....	F21V 5/06 362/249.16
2015/0070883 A1 *	3/2015	Clark	.....	F21S 2/005 362/219
2016/0245488 A1 *	8/2016	Clark	.....	F21S 2/00

\* cited by examiner

*Primary Examiner* — Clare E Heflin

(74) *Attorney, Agent, or Firm* — Gottlieb, Rackman &  
Reisman, P.C.

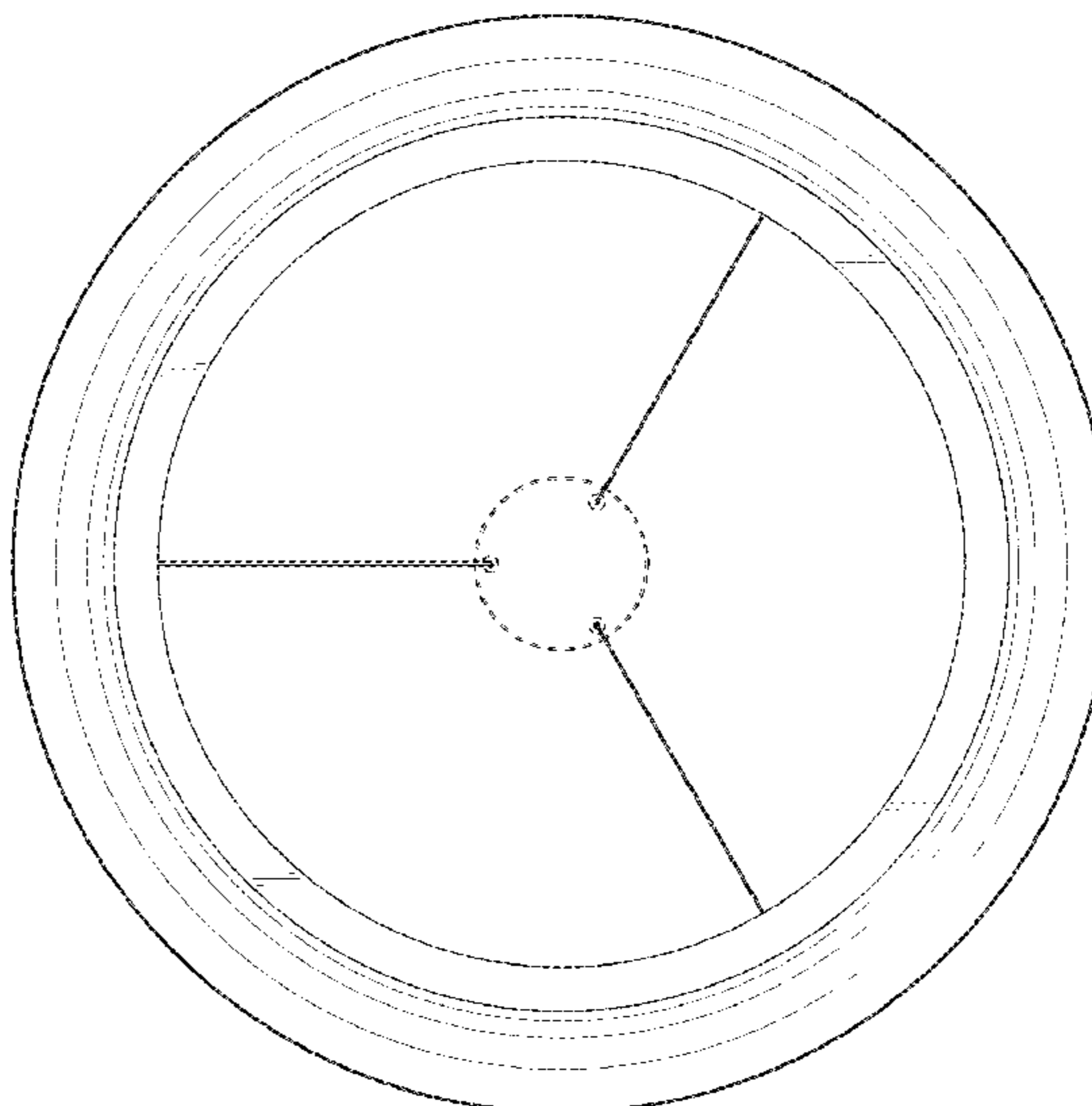
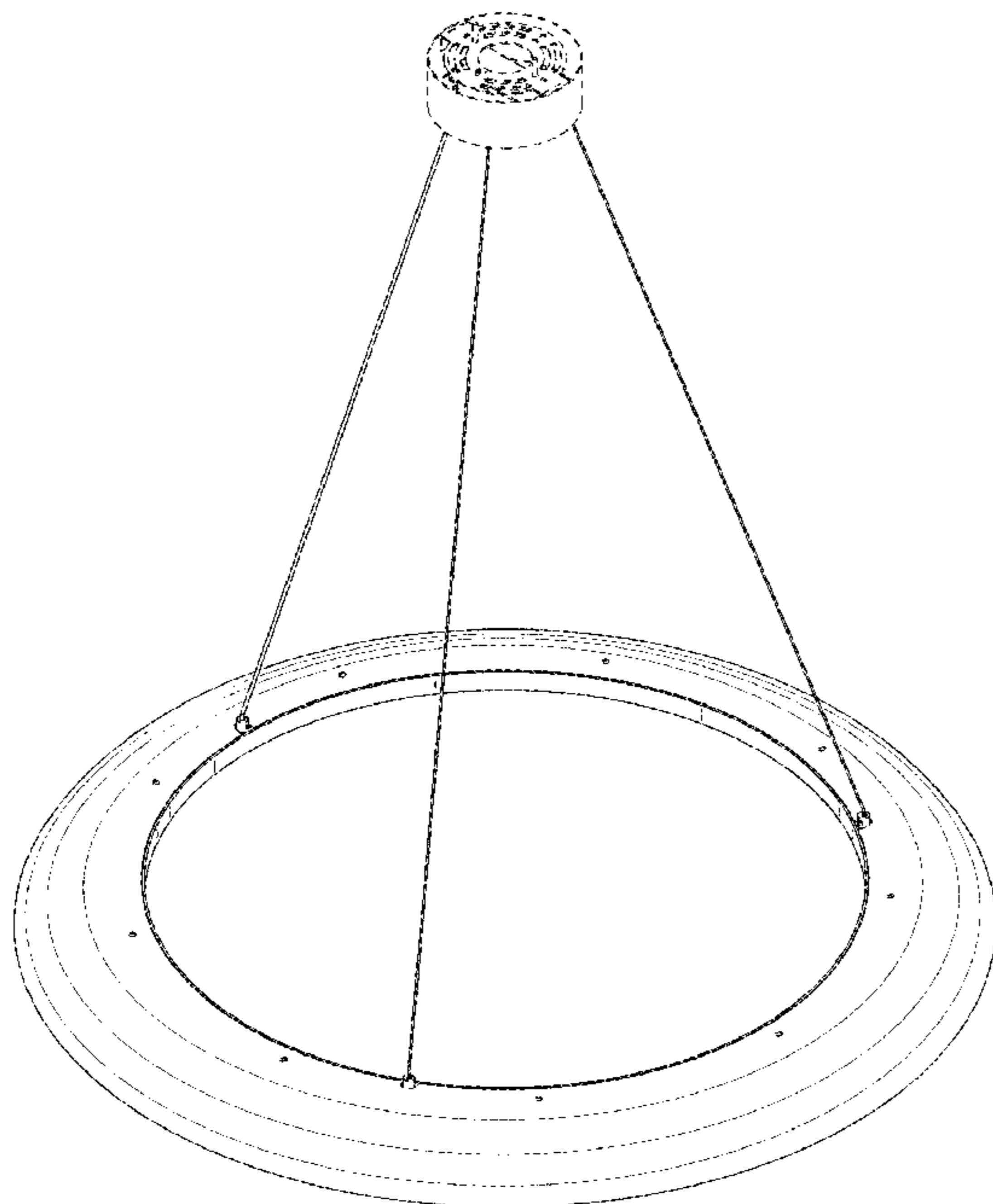
(57) **CLAIM**

The ornamental design for a light fixture, as shown and described.

**DESCRIPTION**

FIG. 1 is a perspective view of a light fixture showing my new design;  
FIG. 2 is a front elevational view thereof;  
FIG. 3 is a rear elevational view thereof;  
FIG. 4 is a right side elevational view thereof;  
FIG. 5 is a left side elevational view thereof;  
FIG. 6 is a top plan view thereof; and,  
FIG. 7 is a bottom plan view thereof.  
The broken lines shown in the drawings are included for the purpose of illustrating portions of the light fixture that form no part of the claimed design.

**1 Claim, 7 Drawing Sheets**



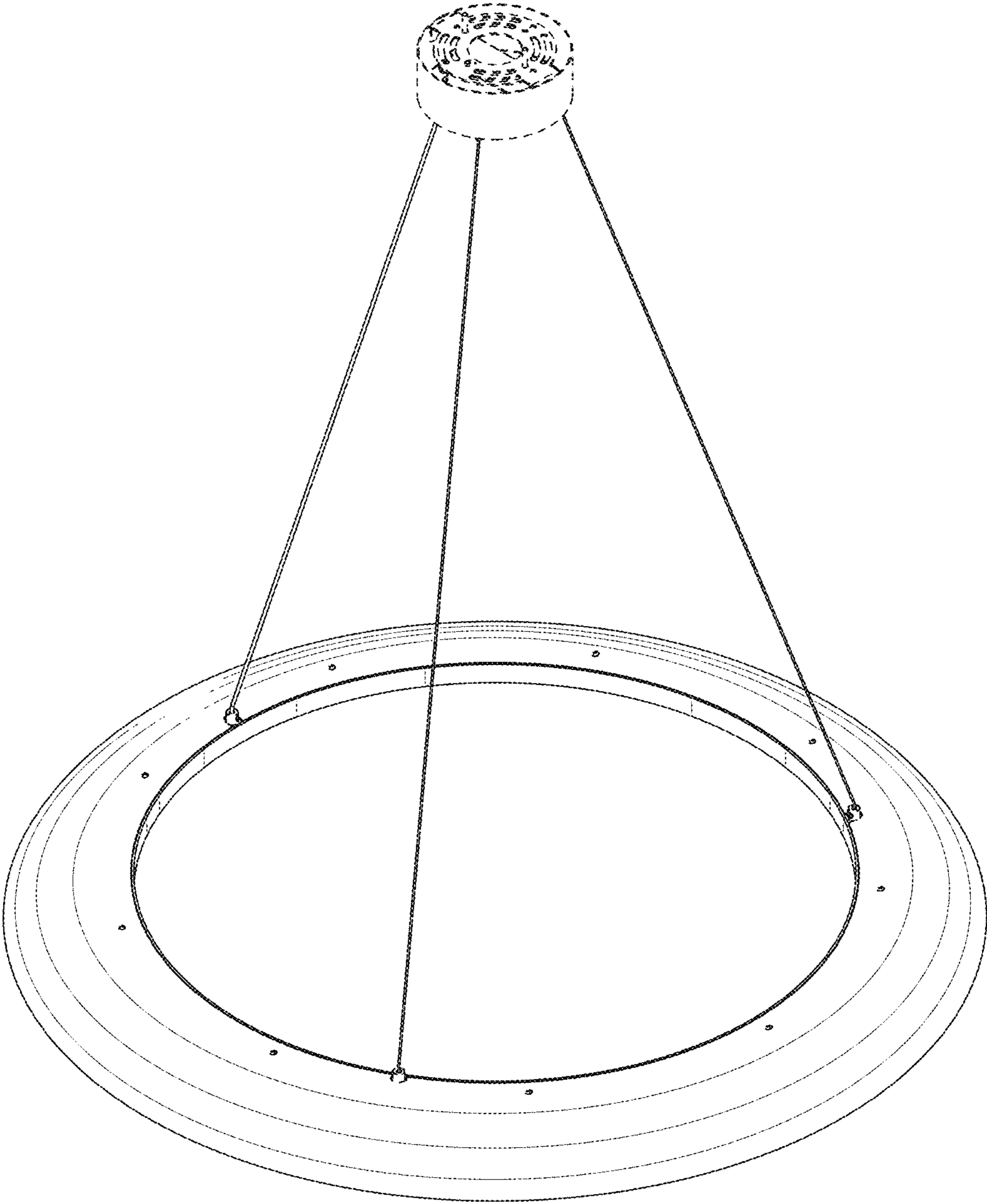


FIG. 1

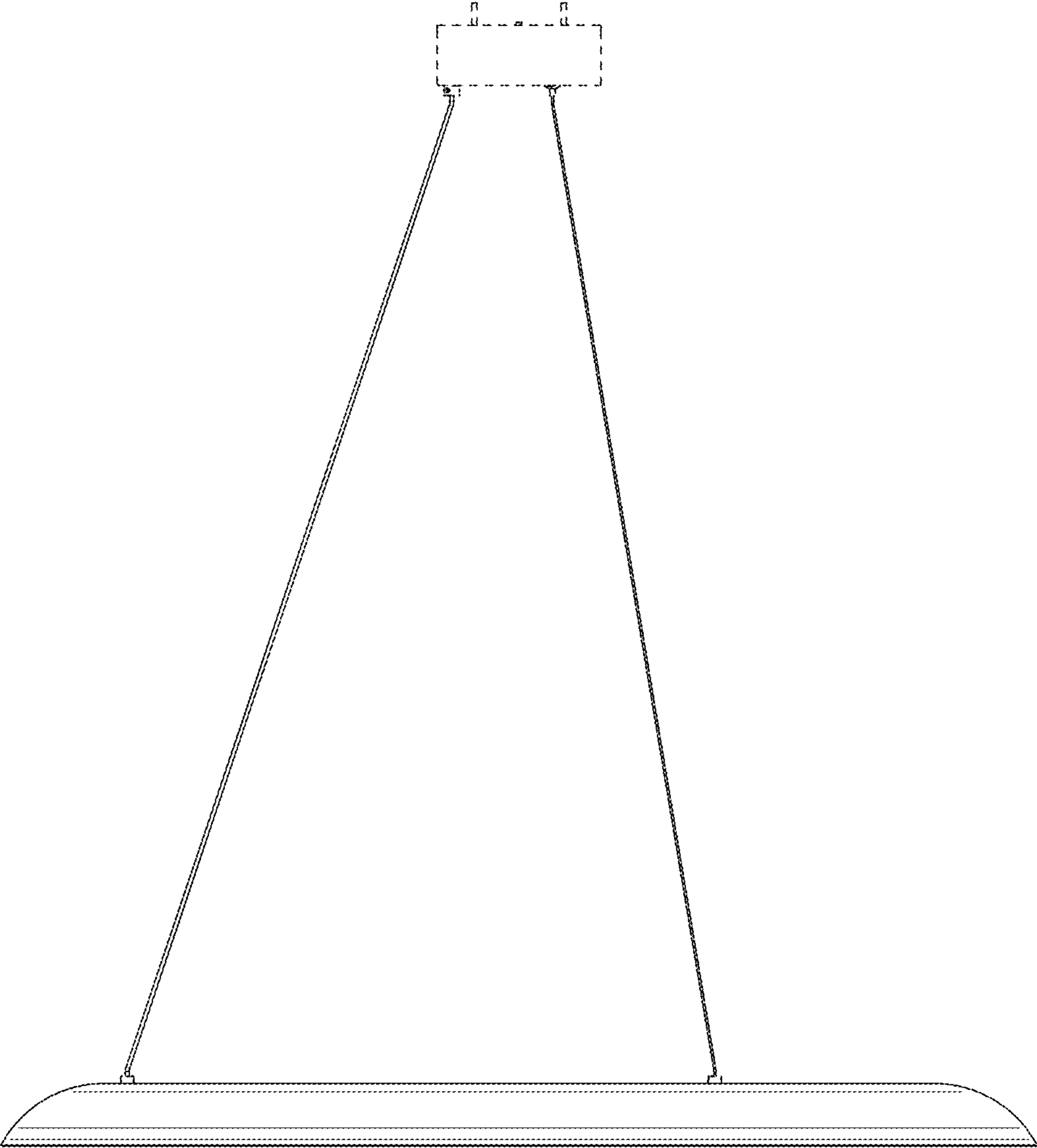


FIG. 2

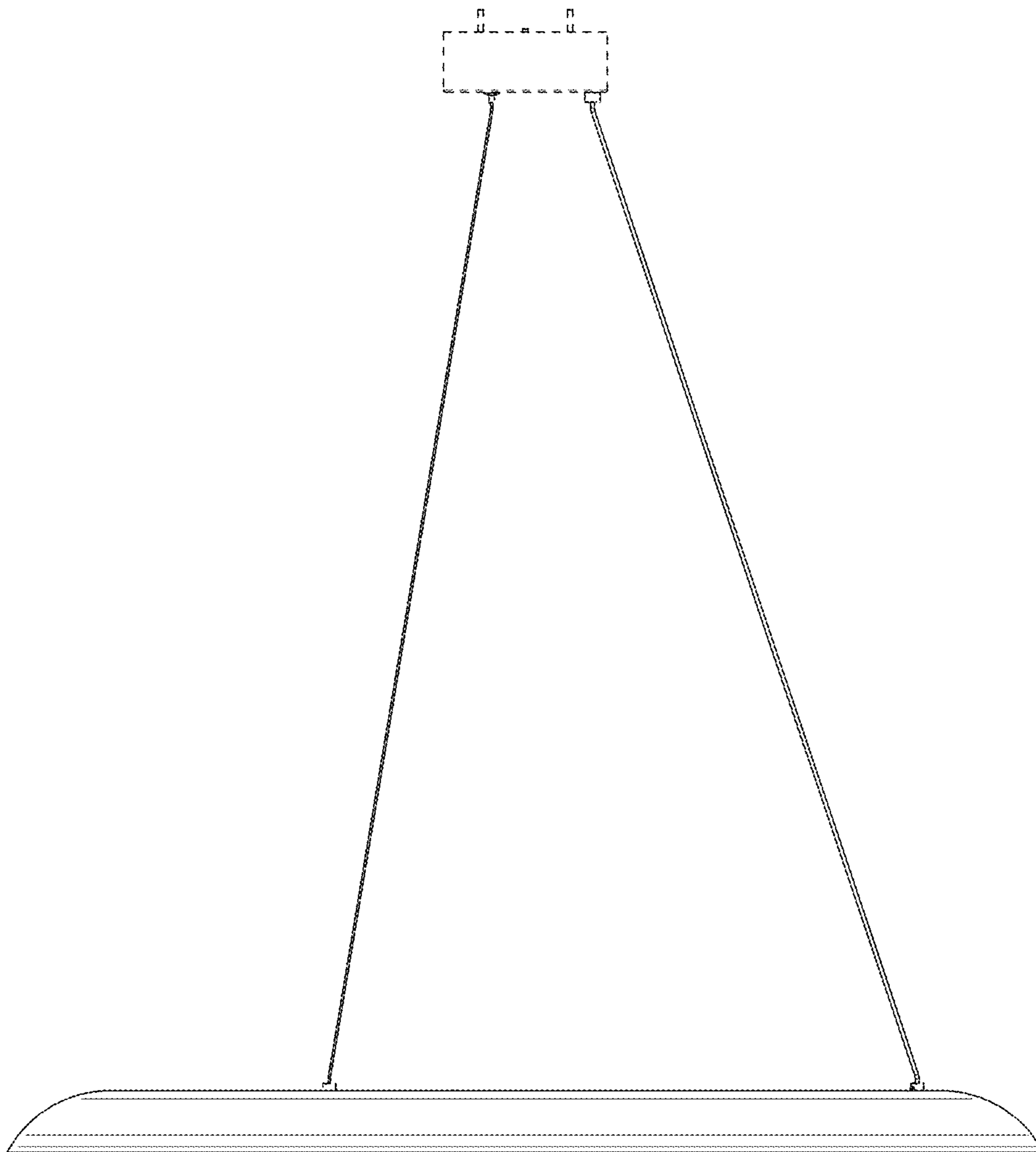


FIG. 3

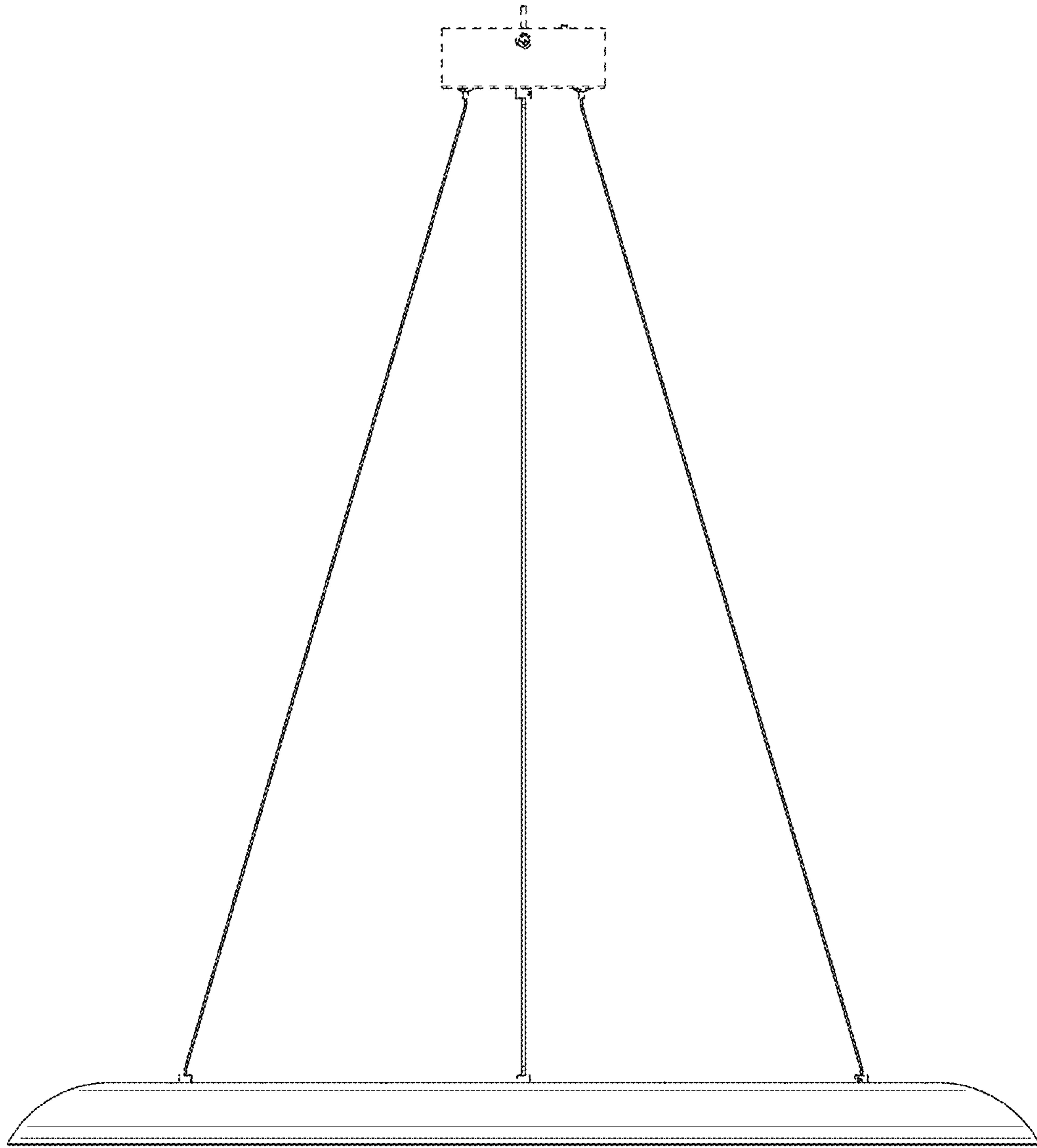


FIG. 4

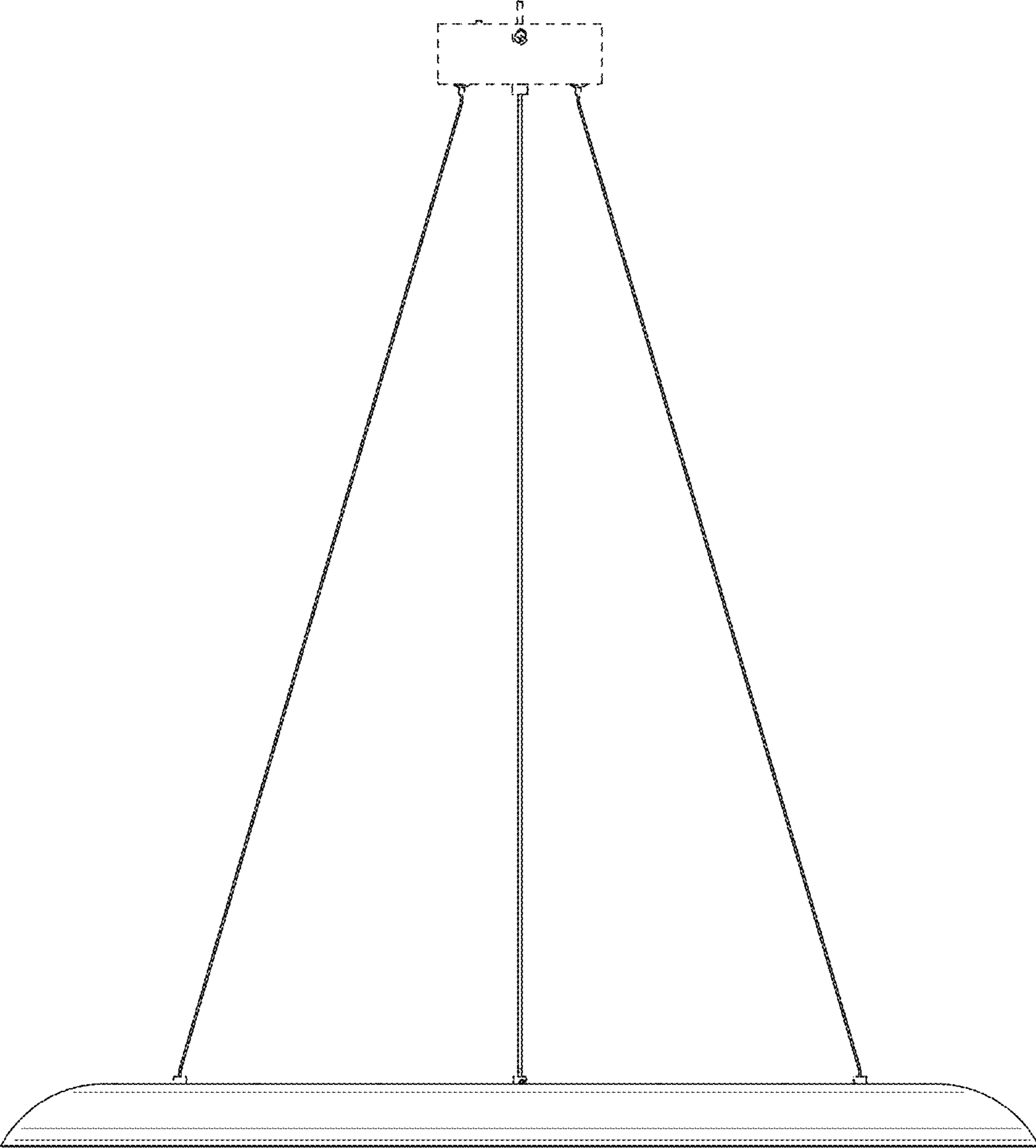


FIG. 5

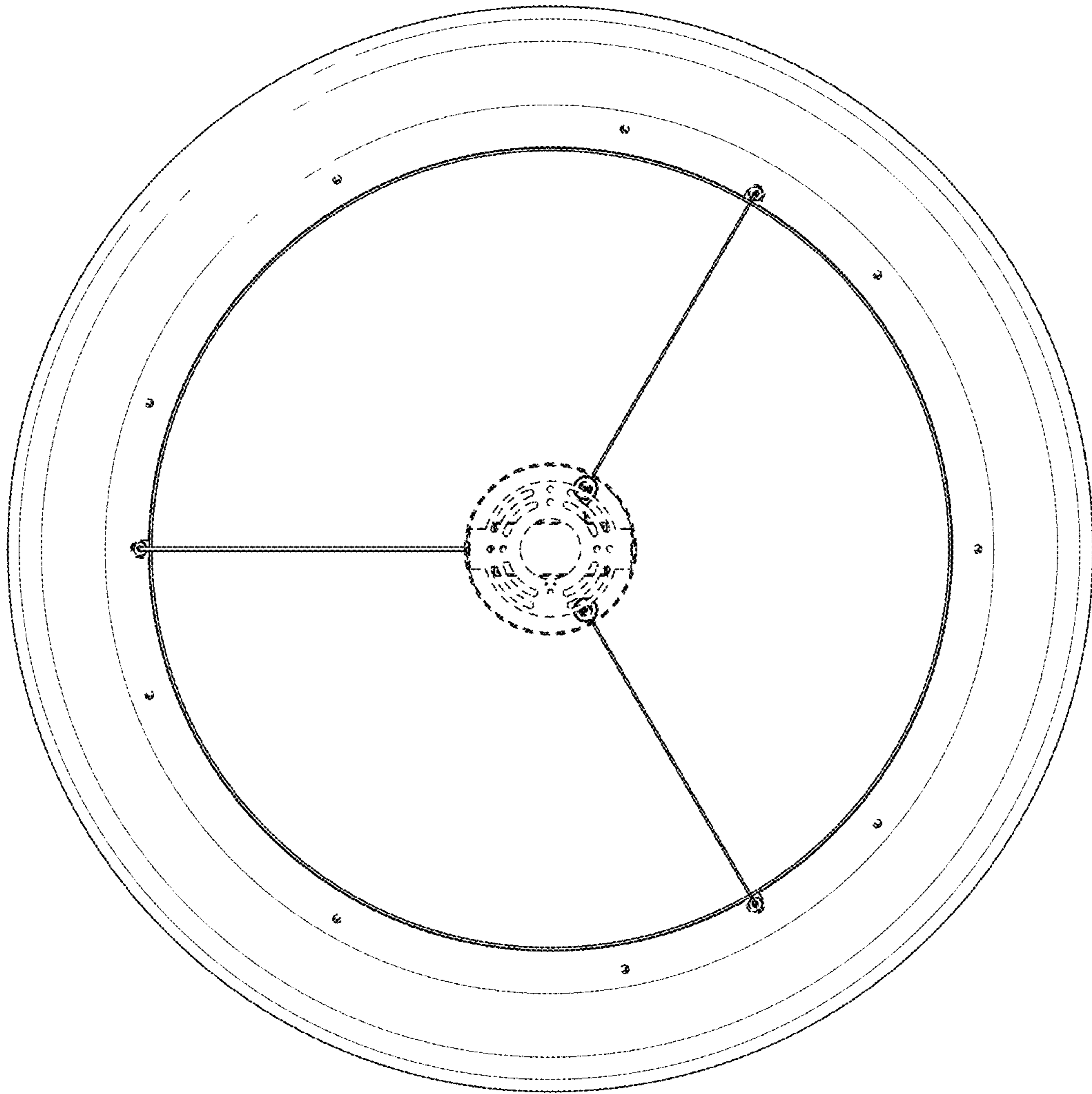


FIG. 6

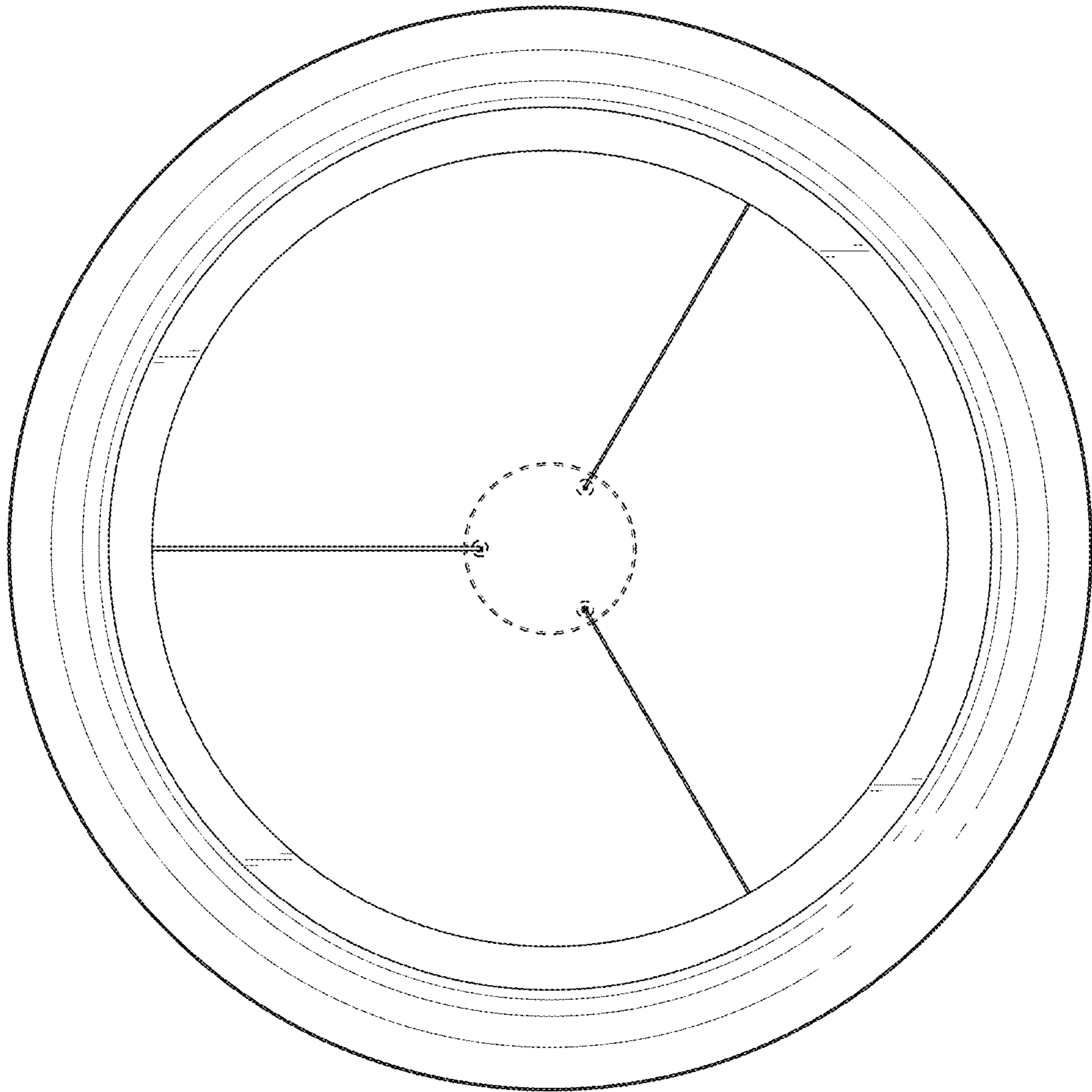


FIG. 7