



US00D825810S

(12) **United States Design Patent**  
**Tsai**

(10) **Patent No.:** **US D825,810 S**

(45) **Date of Patent:** **\*\* Aug. 14, 2018**

(54) **LIGHT FIXTURE**

(71) Applicant: **Cosmo Lighting Inc.**, Walnut, CA (US)

(72) Inventor: **Nai-Chen Tsai**, New Taipei (TW)

(73) Assignee: **COSMO LIGHTING INC.**, Walnut, CA (US)

(\*\*) Term: **15 Years**

(21) Appl. No.: **29/608,407**

(22) Filed: **Jun. 21, 2017**

(51) **LOC (11) Cl.** ..... **26-05**

(52) **U.S. Cl.**  
USPC ..... **D26/73; D26/25**

(58) **Field of Classification Search**  
USPC ..... D26/11, 16-19, 25, 26, 47, 72, 73, 85,  
D26/98, 125, 156; D11/125, 149, 157  
CPC ..... F21S 9/037; F21V 3/02; F21V 21/0824;  
F21V 37/0058; F21V 37/0095; F21V  
37/02; F21L 19/006; F21W 2121/004;  
F21W 2121/04; F21W 2131/109  
See application file for complete search history.

(56) **References Cited**

**U.S. PATENT DOCUMENTS**

|           |      |        |           |       |                        |
|-----------|------|--------|-----------|-------|------------------------|
| 2,236,071 | A *  | 3/1941 | Roskam    | ..... | A41G 1/04<br>362/188   |
| D403,792  | S *  | 1/1999 | Von Kluck | ..... | D26/101                |
| 5,911,501 | A *  | 6/1999 | Katz      | ..... | F21V 17/164<br>362/124 |
| D426,910  | S *  | 6/2000 | Hollinger | ..... | D26/125                |
| D429,018  | S *  | 8/2000 | De'Armond | ..... | D26/72                 |
| D438,323  | S *  | 2/2001 | Xu        | ..... | D26/72                 |
| D477,434  | S *  | 7/2003 | Ohai      | ..... | D26/73                 |
| 7,188,976 | B1 * | 3/2007 | Fung      | ..... | F21V 1/16<br>362/153   |
| 9,033,549 | B2 * | 5/2015 | Nussbaum  | ..... | F21V 3/00<br>362/124   |

|              |      |         |        |       |                       |
|--------------|------|---------|--------|-------|-----------------------|
| 9,797,557    | B2 * | 10/2017 | White  | ..... | F21L 27/00            |
| 2006/0139912 | A1 * | 6/2006  | Norton | ..... | A41G 1/005<br>362/191 |
| 2007/0008718 | A1 * | 1/2007  | Cayton | ..... | A63H 33/22<br>362/186 |

(Continued)

**OTHER PUBLICATIONS**

2015 Yankee Candle Halloween Silhouettes Batty Bat Lanterns Jar Candle Holder from eBay.com, (Year: 2015).\*

(Continued)

*Primary Examiner* — Clare E Heflin

(74) *Attorney, Agent, or Firm* — Li & Cai Intellectual Property (USA) Office

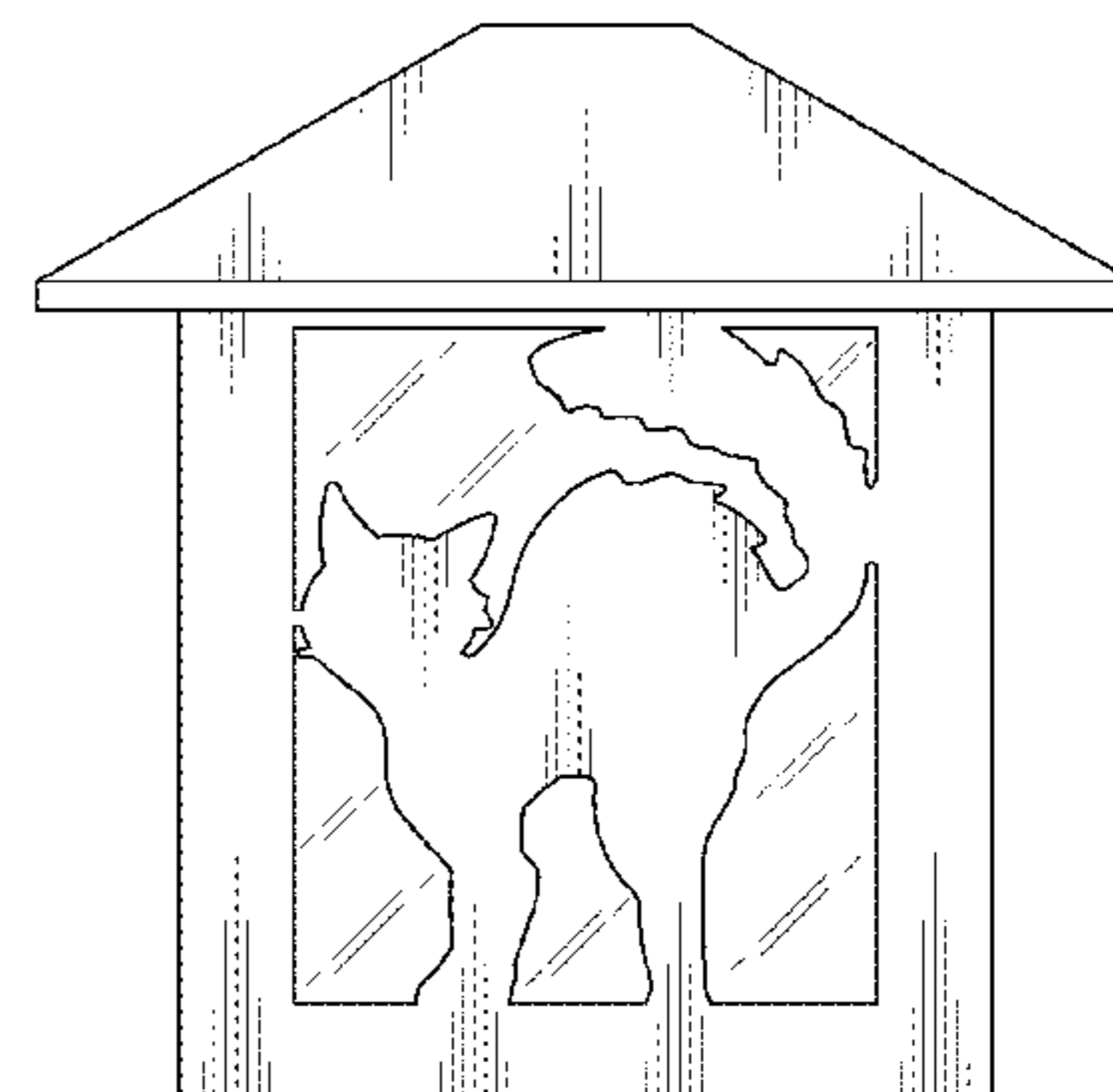
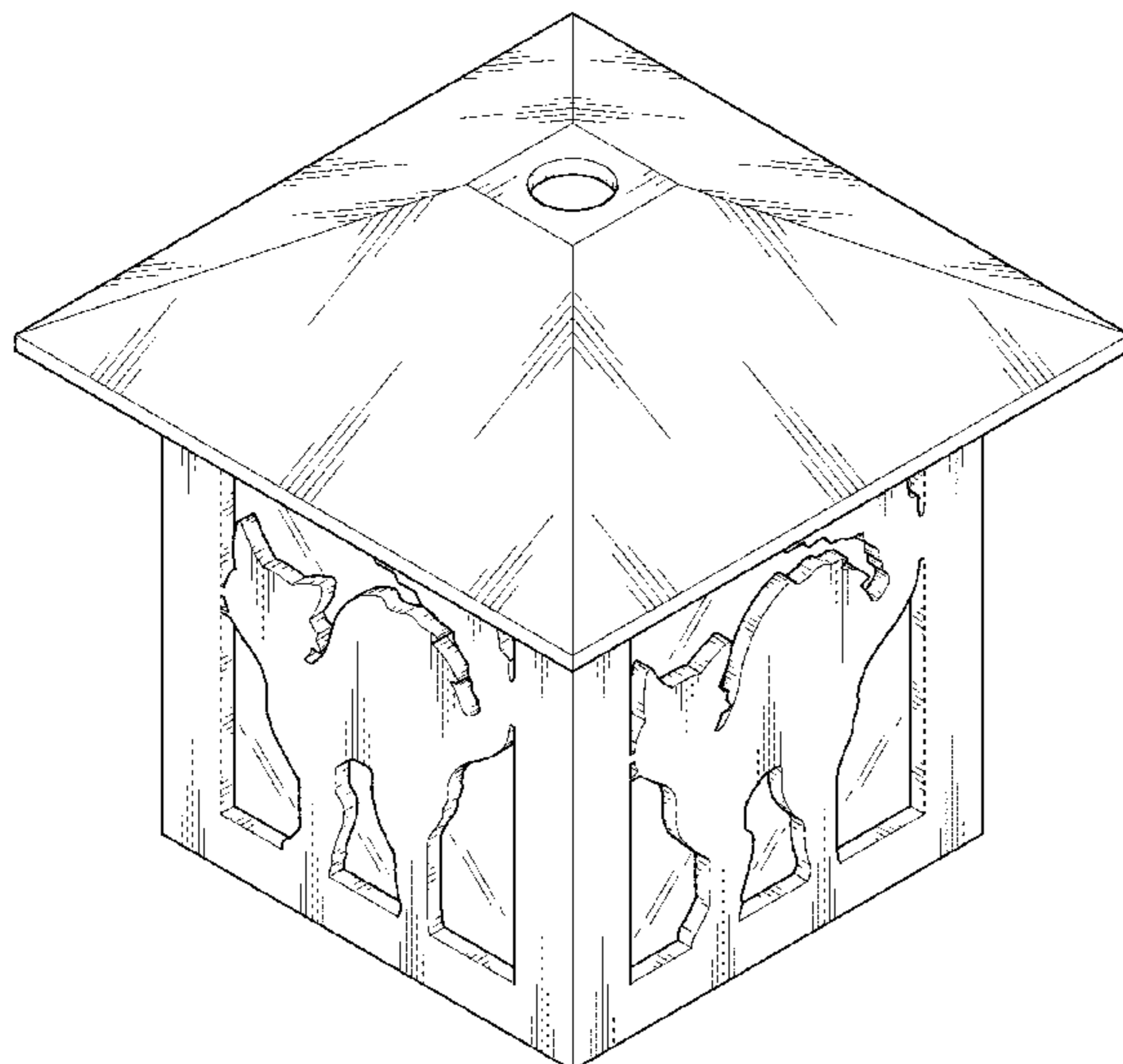
(57) **CLAIM**

The ornamental design for a "light fixture," as shown and described.

**DESCRIPTION**

FIG. 1 is a perspective view of a light fixture showing my new design;  
 FIG. 2 is a front view thereof;  
 FIG. 3 is a rear view thereof;  
 FIG. 4 is a left side view thereof;  
 FIG. 5 is a right side view thereof;  
 FIG. 6 is a top view thereof;  
 FIG. 7 is a bottom view thereof;  
 FIG. 8 is a perspective view from another visual angle thereof;  
 FIG. 9 is a perspective view showing my design duplicated only to demonstrate how it would appear in use; and,  
 FIG. 10 is a sectional view taken along the line X-X in FIG. 9.  
 The broken line showing of the environment is for illustrative purposes only and forms no part of the claimed design.

**1 Claim, 7 Drawing Sheets**



(56)

**References Cited**

U.S. PATENT DOCUMENTS

2007/0242451 A1 \* 10/2007 Richmond ..... F21S 9/03  
362/183

OTHER PUBLICATIONS

Yankee Candle Midnight Sophia Votive Candle Holder Item#  
1566762 eBay.com 2017. (Year: 2017).\*

Laser Cut Lanterns Halloween Decoration Stock Vector 697909156  
from Shutterstock.com, visited May 16, 2018. (Year: 2018).\*

LED Halloween Battery Lantern Decoration Witch, Cat or Haunted  
House Wreaths Item# 282670763014 at eBay.com, visited May 16,  
2018. (Year: 2018).\*

\* cited by examiner

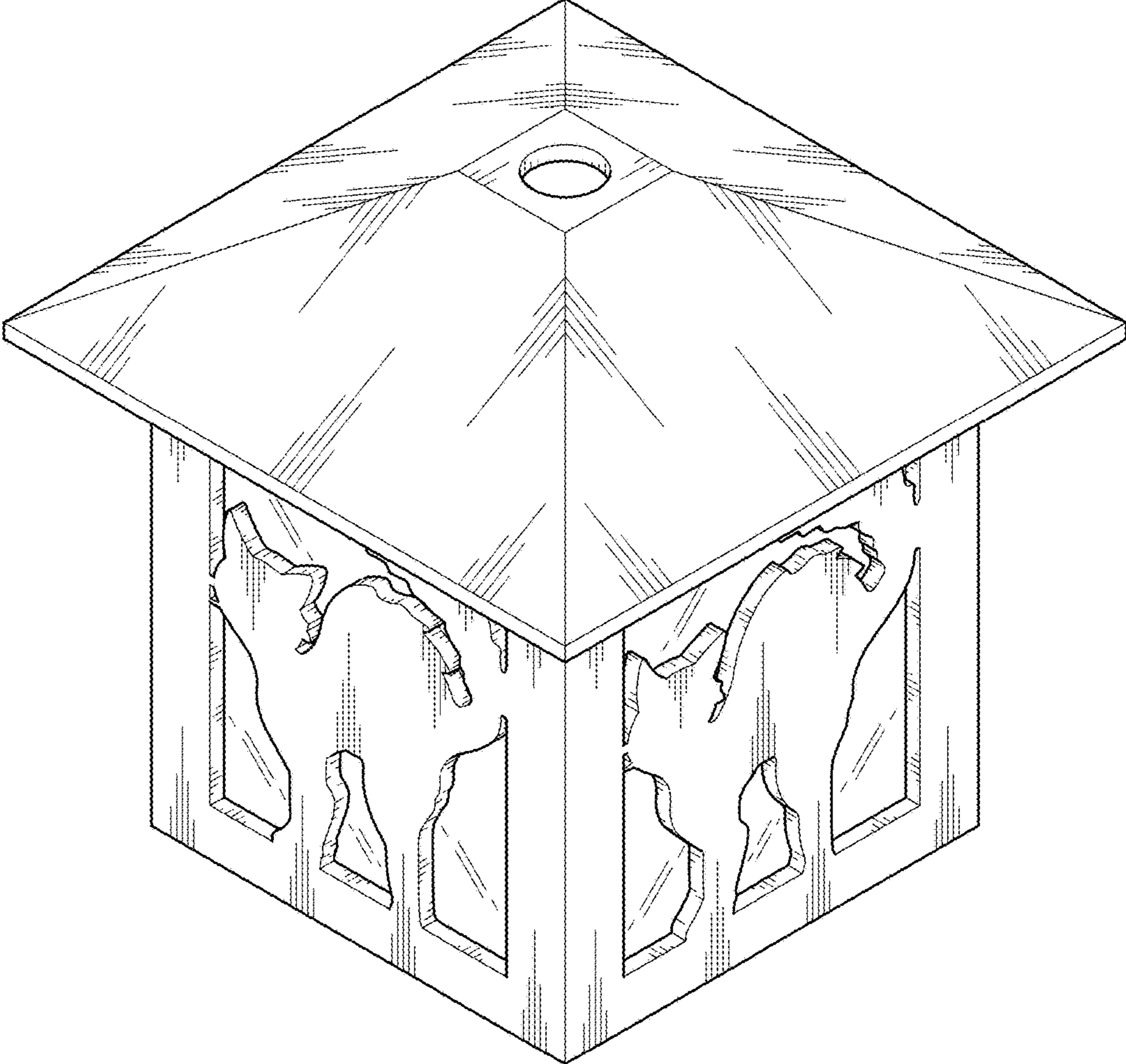


FIG. 1

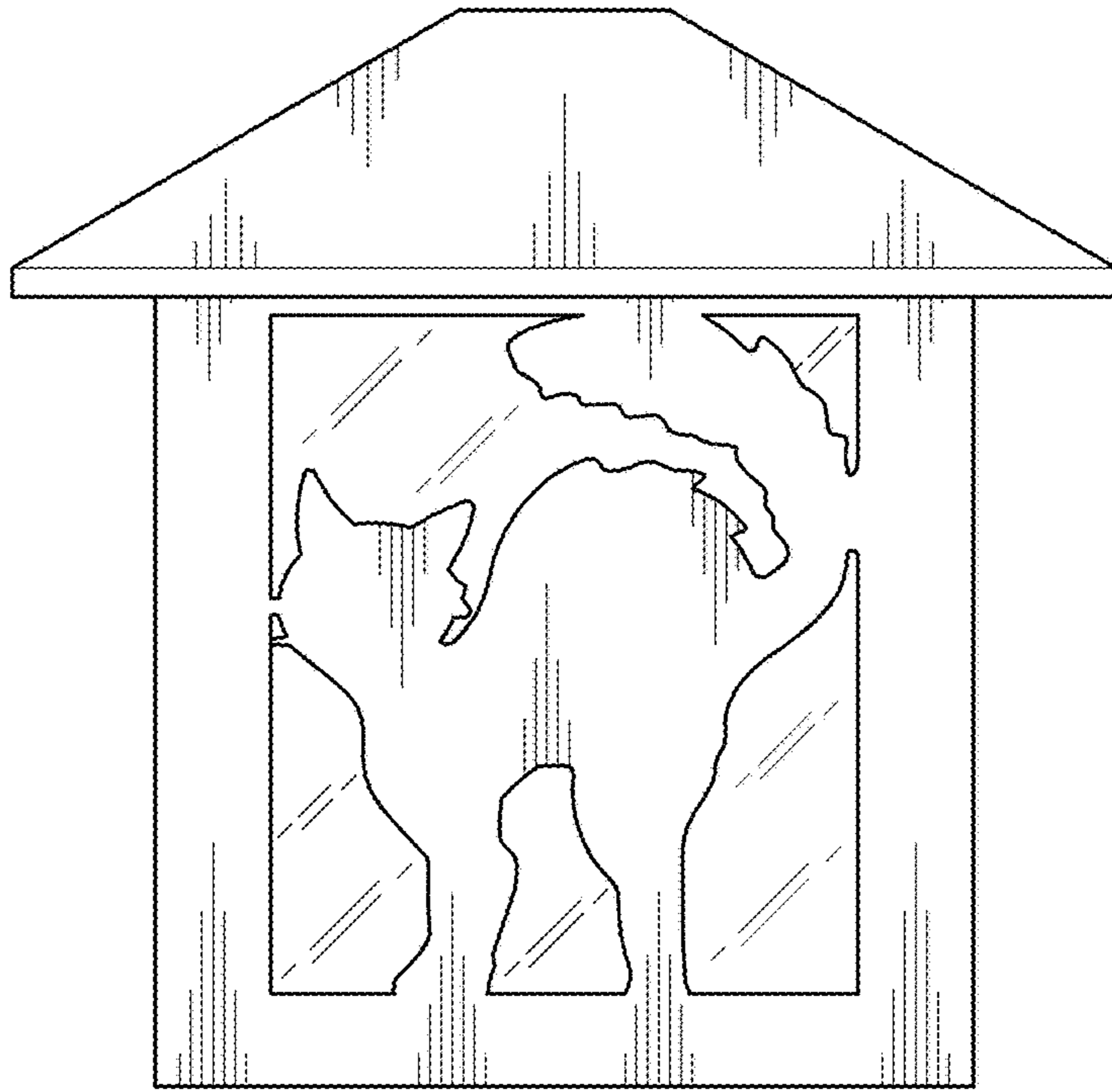


FIG. 2

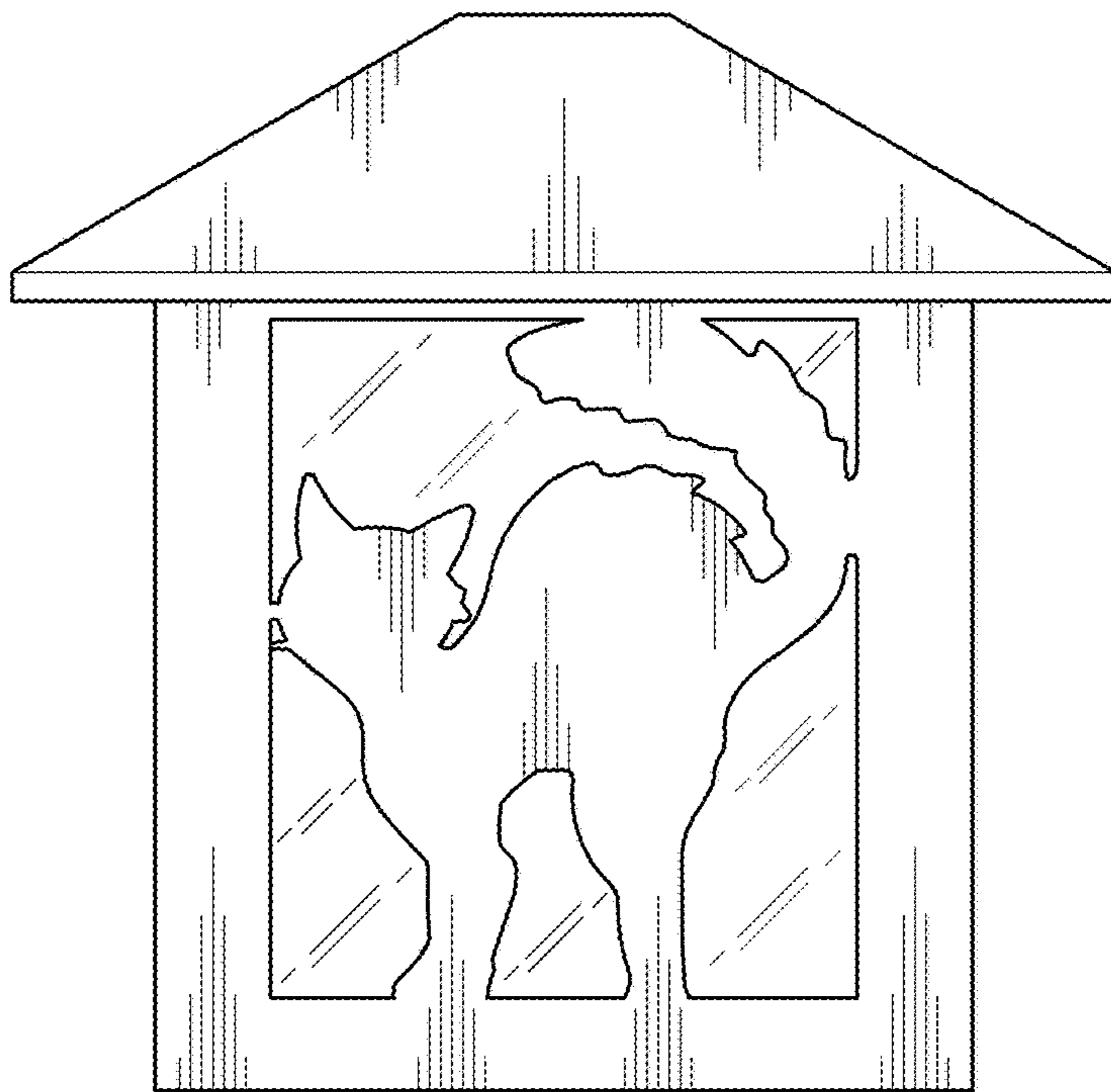


FIG. 3



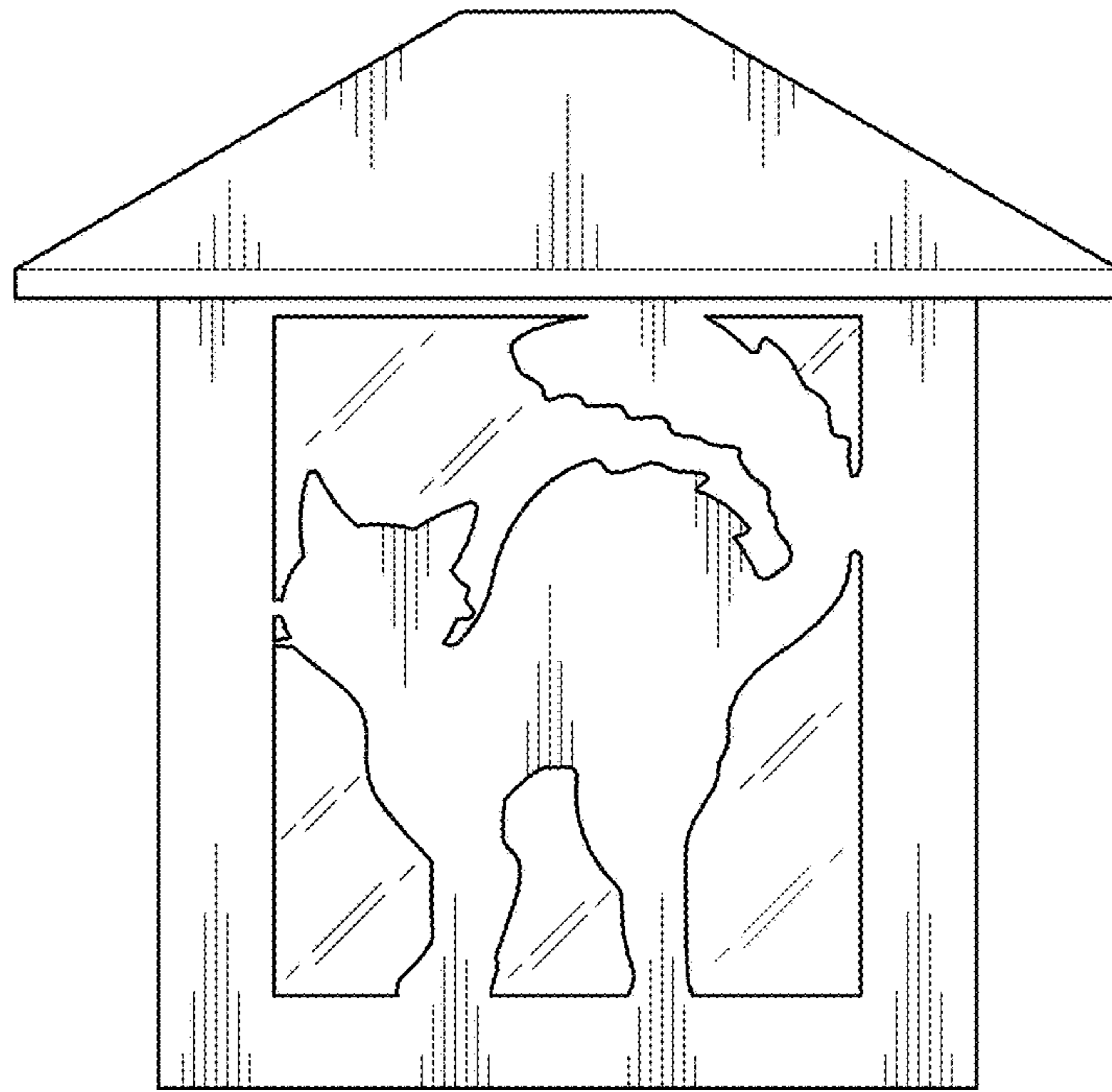


FIG. 4

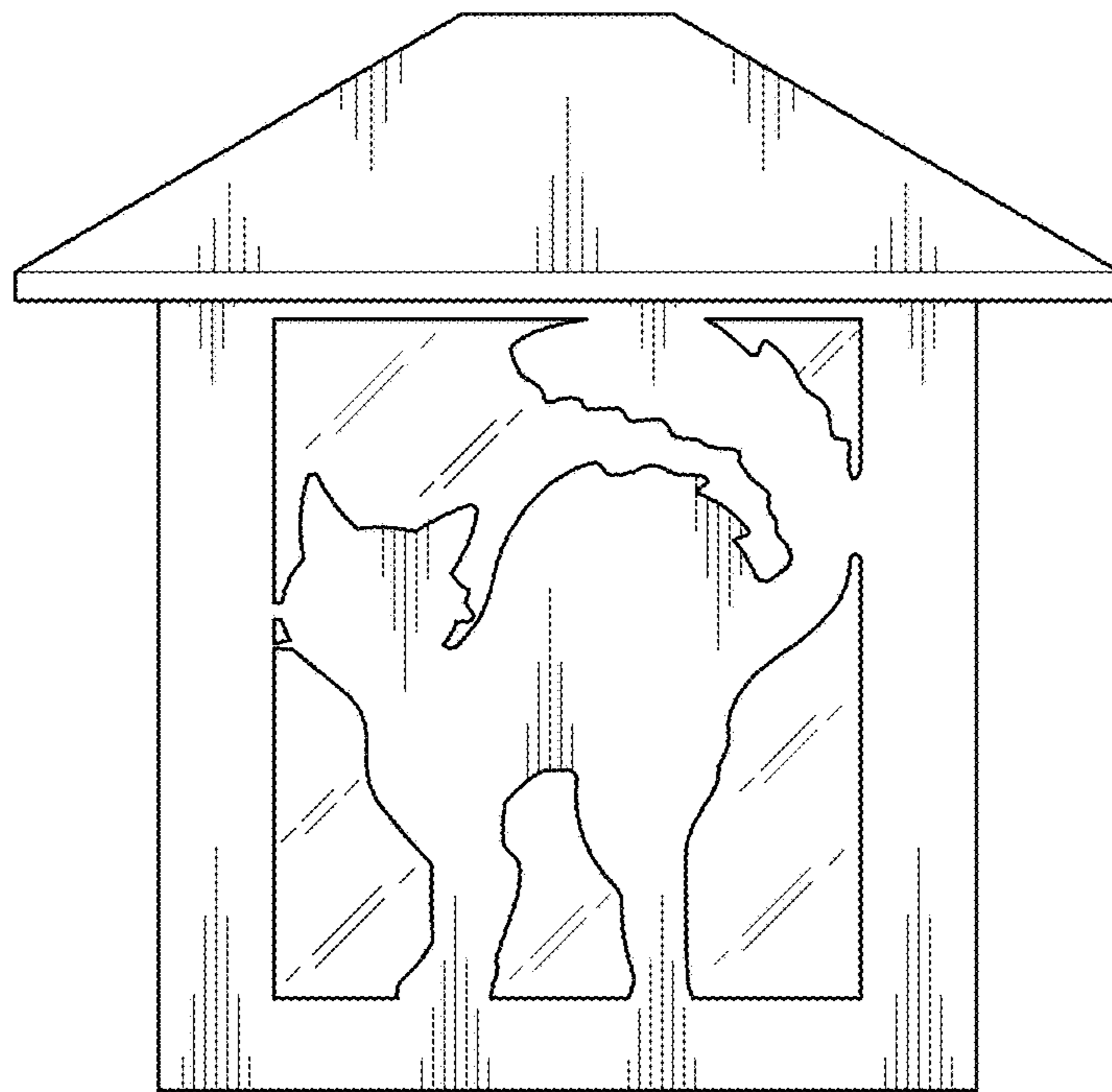


FIG. 5

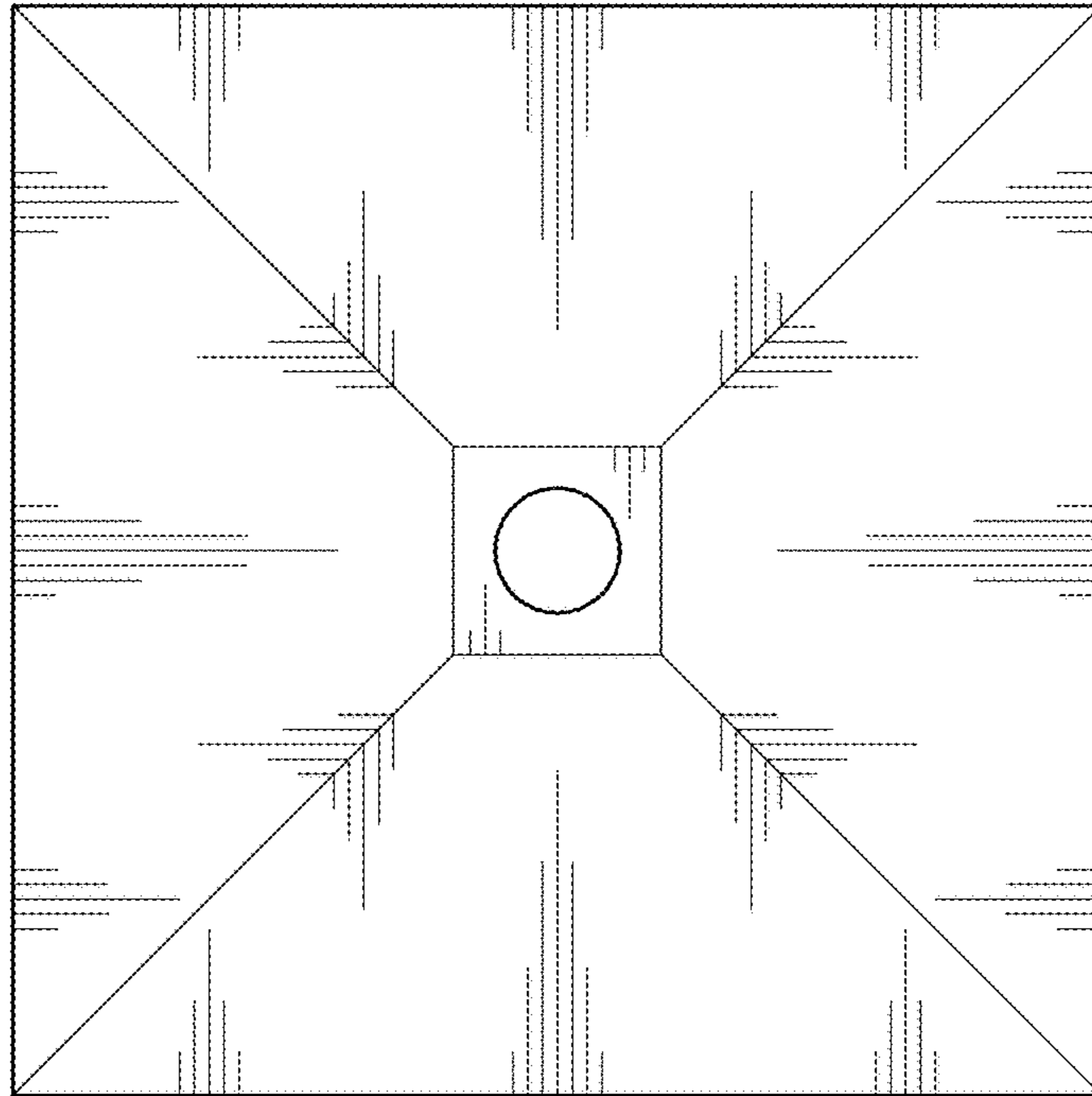


FIG. 6

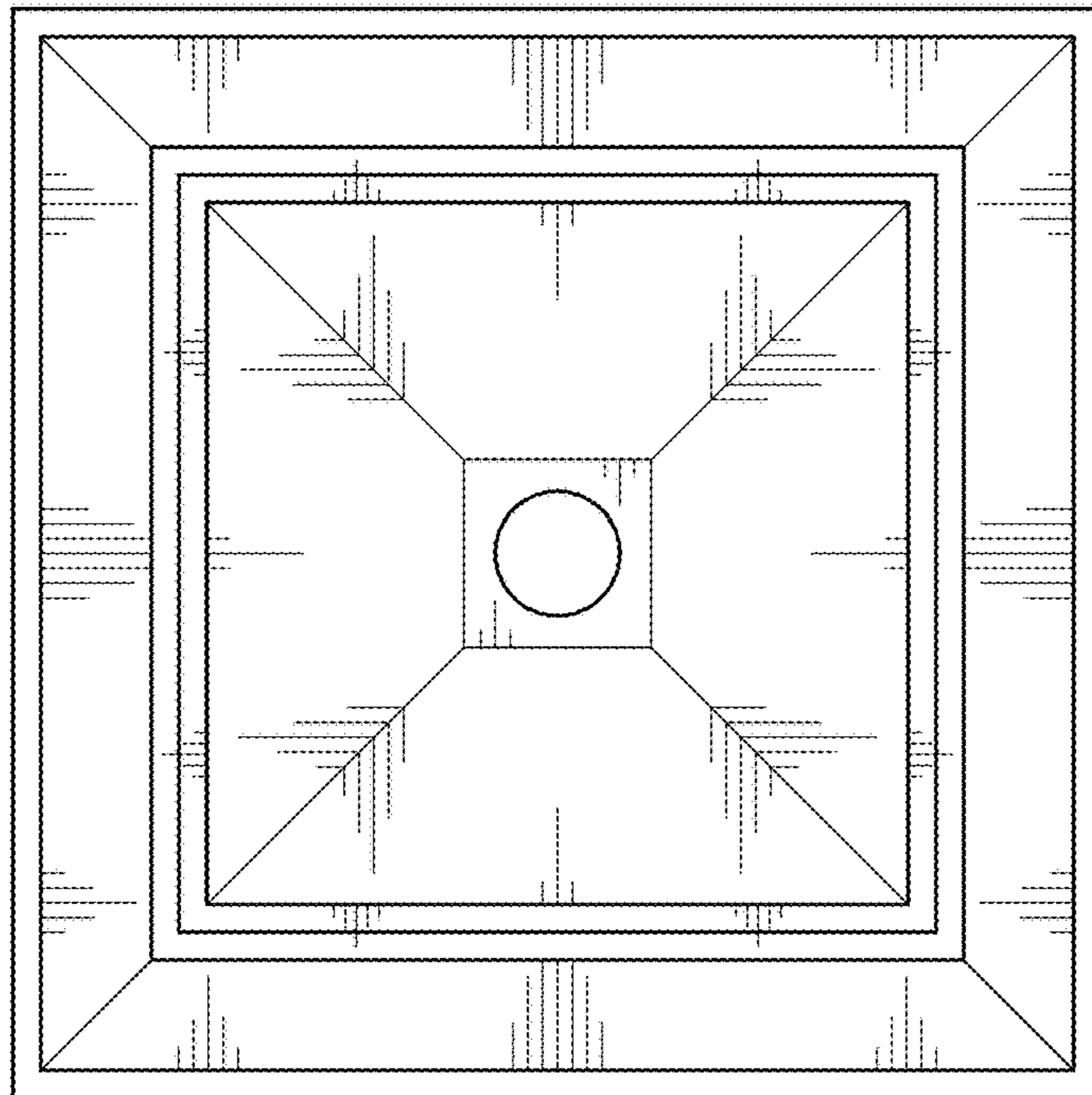


FIG. 7

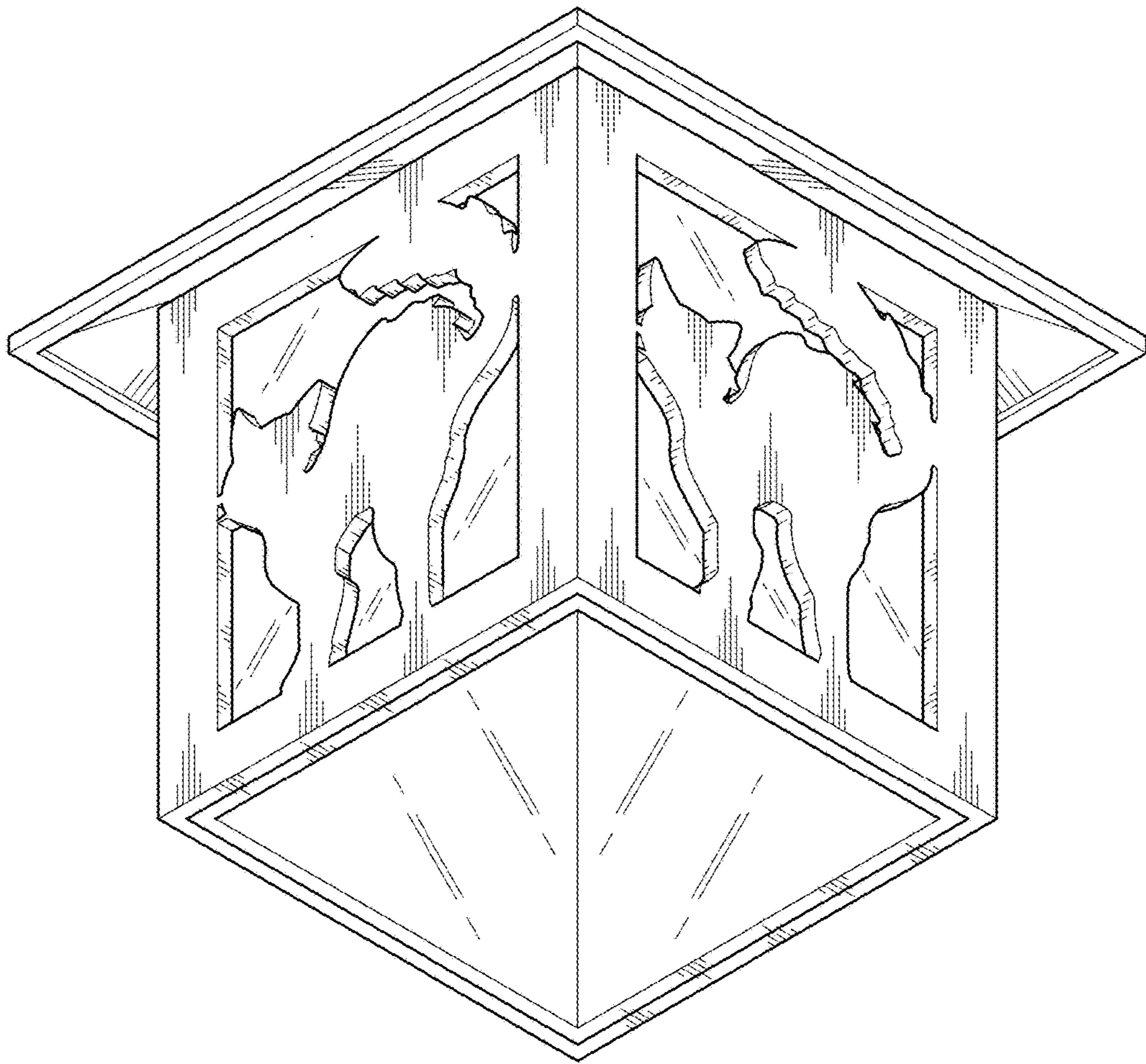


FIG. 8

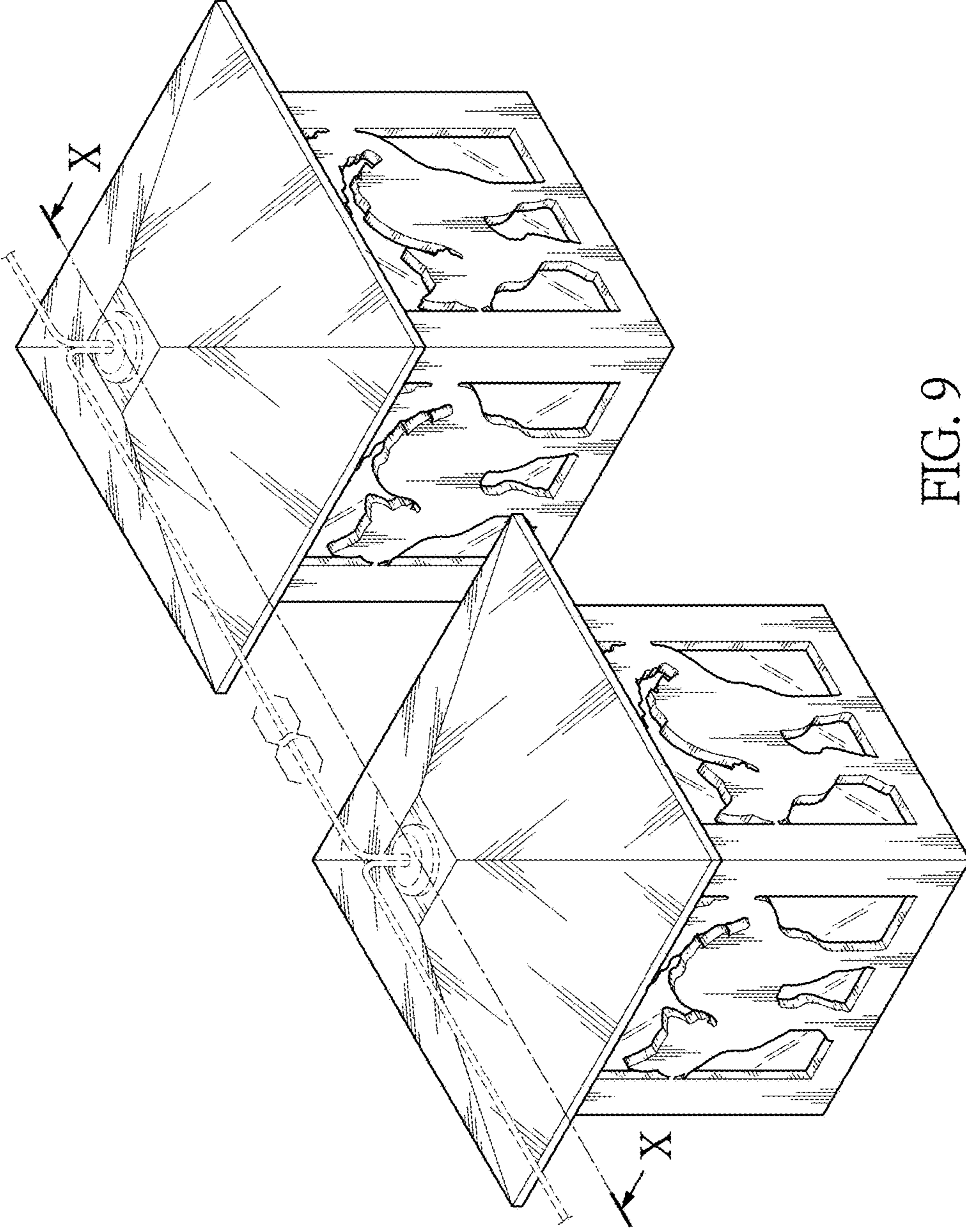


FIG. 9



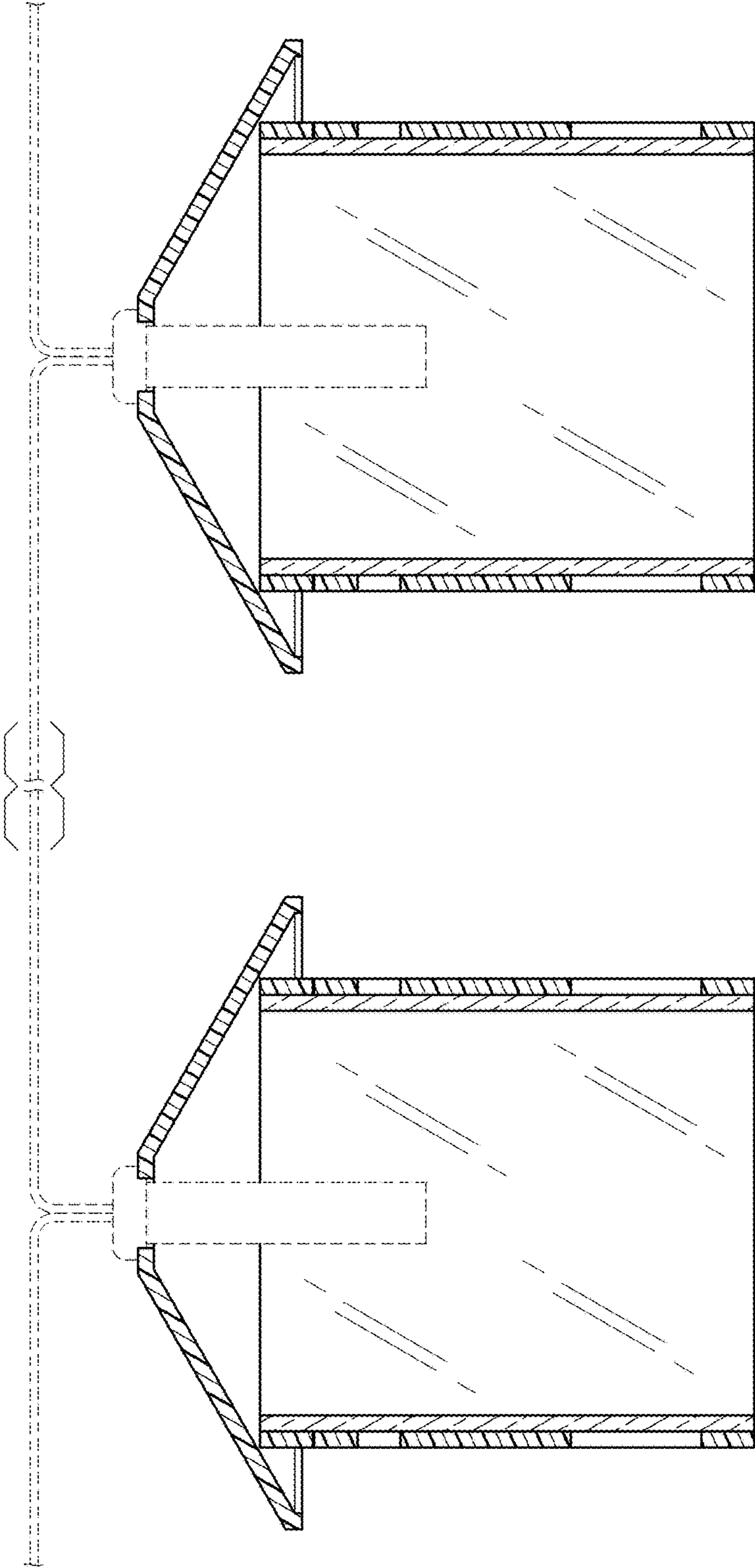


FIG. 10