



US00D825809S

(12) **United States Design Patent**
Sonneman

(10) **Patent No.:** **US D825,809 S**

(45) **Date of Patent:** **** Aug. 14, 2018**

(54) **LIGHT FIXTURE**

(71) Applicant: **Robert A. Sonneman**, Mamaroneck,
NY (US)

(72) Inventor: **Robert A. Sonneman**, Mamaroneck,
NY (US)

(73) Assignee: **CONTEMPORARY VISIONS, LLC**,
Larchmont, NY (US)

(**) Term: **15 Years**

(21) Appl. No.: **29/629,086**

(22) Filed: **Dec. 11, 2017**

(51) **LOC (11) Cl.** **26-05**

(52) **U.S. Cl.**
USPC **D26/68**

(58) **Field of Classification Search**
USPC D26/67, 68, 72, 74, 80, 82, 83, 85, 86,
D26/87, 92
CPC .. F21S 8/033; F21S 8/035; F21S 8/036; F21S
8/037; F21V 21/041; F21V 21/042; F21V
21/044
See application file for complete search history.

(56) **References Cited**

U.S. PATENT DOCUMENTS

D234,807 S *	4/1975	Ervin	D26/67
4,438,484 A *	3/1984	Winden	F21S 8/083 362/145
D352,564 S *	11/1994	Marischen	D26/26
D381,449 S *	7/1997	Metcheat, III	D26/68
6,457,847 B1 *	10/2002	LeVasseur	F21V 3/00 362/147
6,652,113 B2 *	11/2003	Tant	F21S 8/033 362/147
D588,738 S *	3/2009	Goetz-Schaefer	D26/68
D630,787 S *	1/2011	Pan	D26/68
D670,848 S *	11/2012	Reo	D26/68

D678,578 S *	3/2013	Wauters	D26/68
D679,436 S *	4/2013	Gismondi	D26/68
D679,437 S *	4/2013	Watt	D26/74
D695,937 S *	12/2013	Duquette	D26/68
8,770,801 B1 *	7/2014	Berns	F21S 8/083 362/296.01
D743,087 S *	11/2015	Blum	D26/87
D773,710 S *	12/2016	Ahrari	D26/68
D787,733 S	5/2017	Sonneman		
D797,345 S	9/2017	Sonneman		
9,835,301 B2 *	12/2017	Sorensen	F21S 8/083

OTHER PUBLICATIONS

Alunninux AL 1-Light LED Pathway Light Model No. E41365-SA
by ET2 Contemporary Lighting. Spec Sheet (c)2014. (Year: 2014).*
(Continued)

Primary Examiner — Clare E Heflin

(74) *Attorney, Agent, or Firm* — Gottlieb, Rackman &
Reisman, P.C.

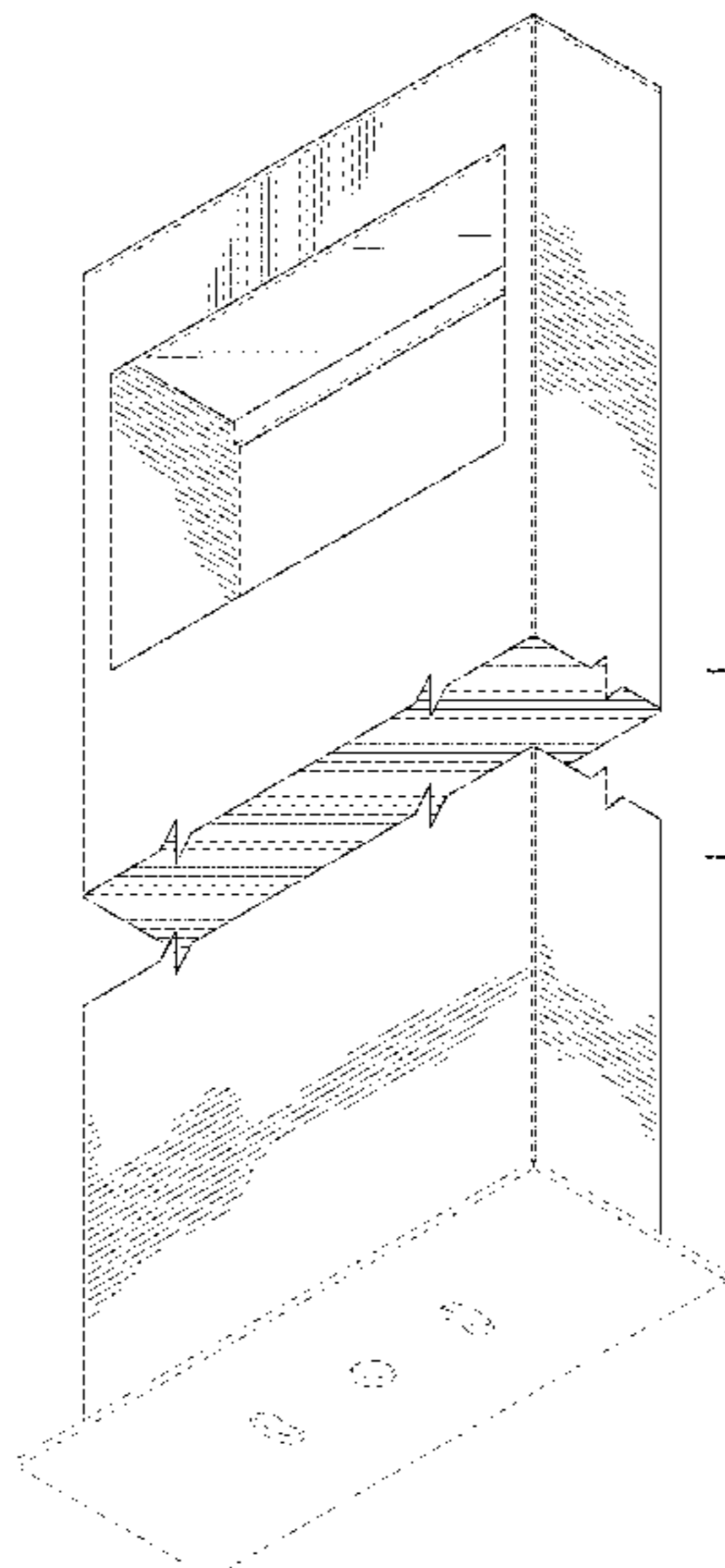
(57) **CLAIM**

The ornamental design for a light fixture, as shown and
described.

DESCRIPTION

FIG. 1 is a first perspective view of the light fixture showing
my new design;
FIG. 2 is a second perspective view thereof;
FIG. 3 is a front elevational view thereof;
FIG. 4 is a rear elevational view thereof;
FIG. 5 is a right side elevational view thereof;
FIG. 6 is a left side elevational view thereof;
FIG. 7 is a top plan view thereof; and,
FIG. 8 is a bottom plan view thereof.
The broken away symbols in the drawings indicate the
appearance of any portion of the article between the break
lines forms no part of the claimed design.

1 Claim, 6 Drawing Sheets



(56)

References Cited

OTHER PUBLICATIONS

Alunninux AL 2-Light LED Pathway Light Model No. E41363-BZ
by ET2 Contemporary Lighting. Spec. Sheet (c)2014. (Year:
2014).*

LED Garden and Pathway Bollard. Houzz Product No. 101743765.
From houzz.com visited Jun. 11, 2018. (Year: 2018).*

* cited by examiner

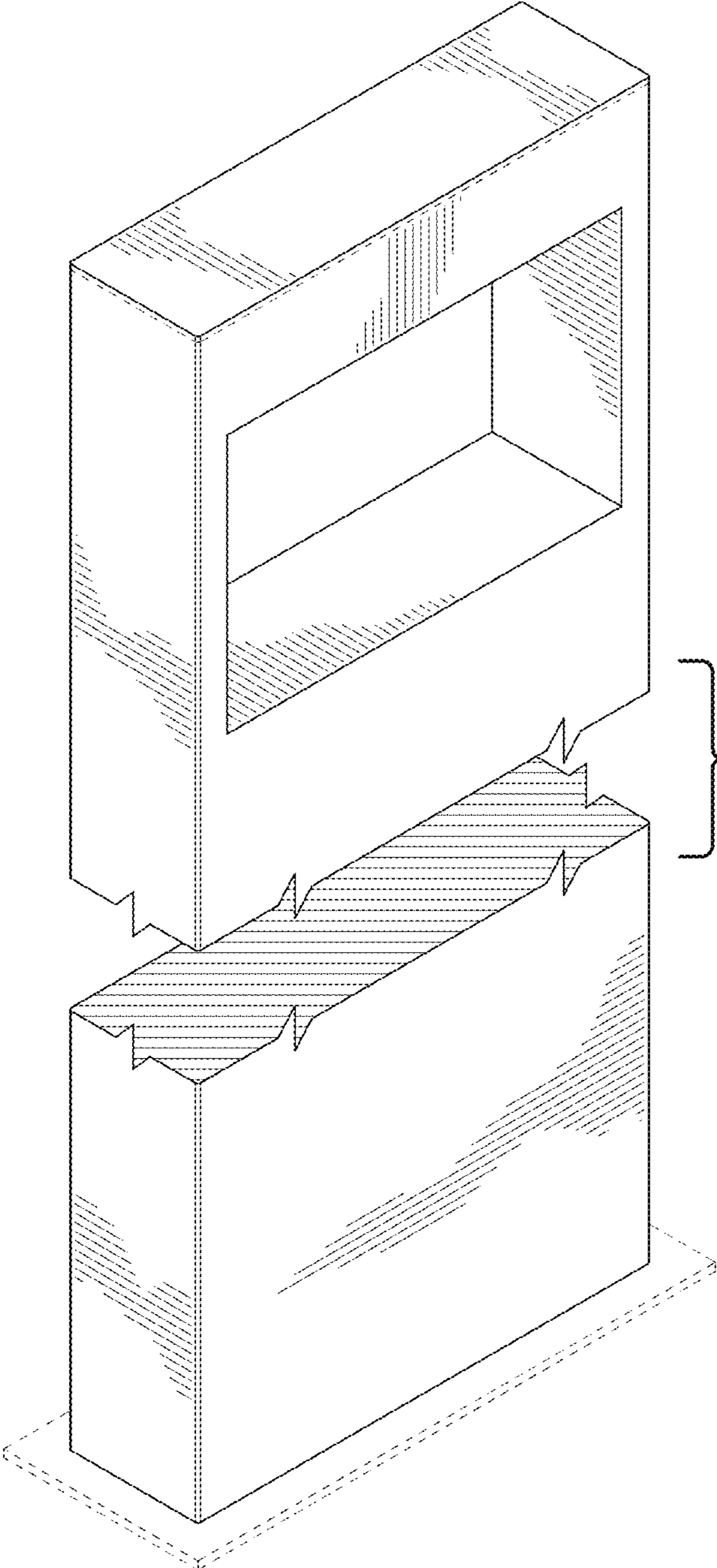


FIG. 1

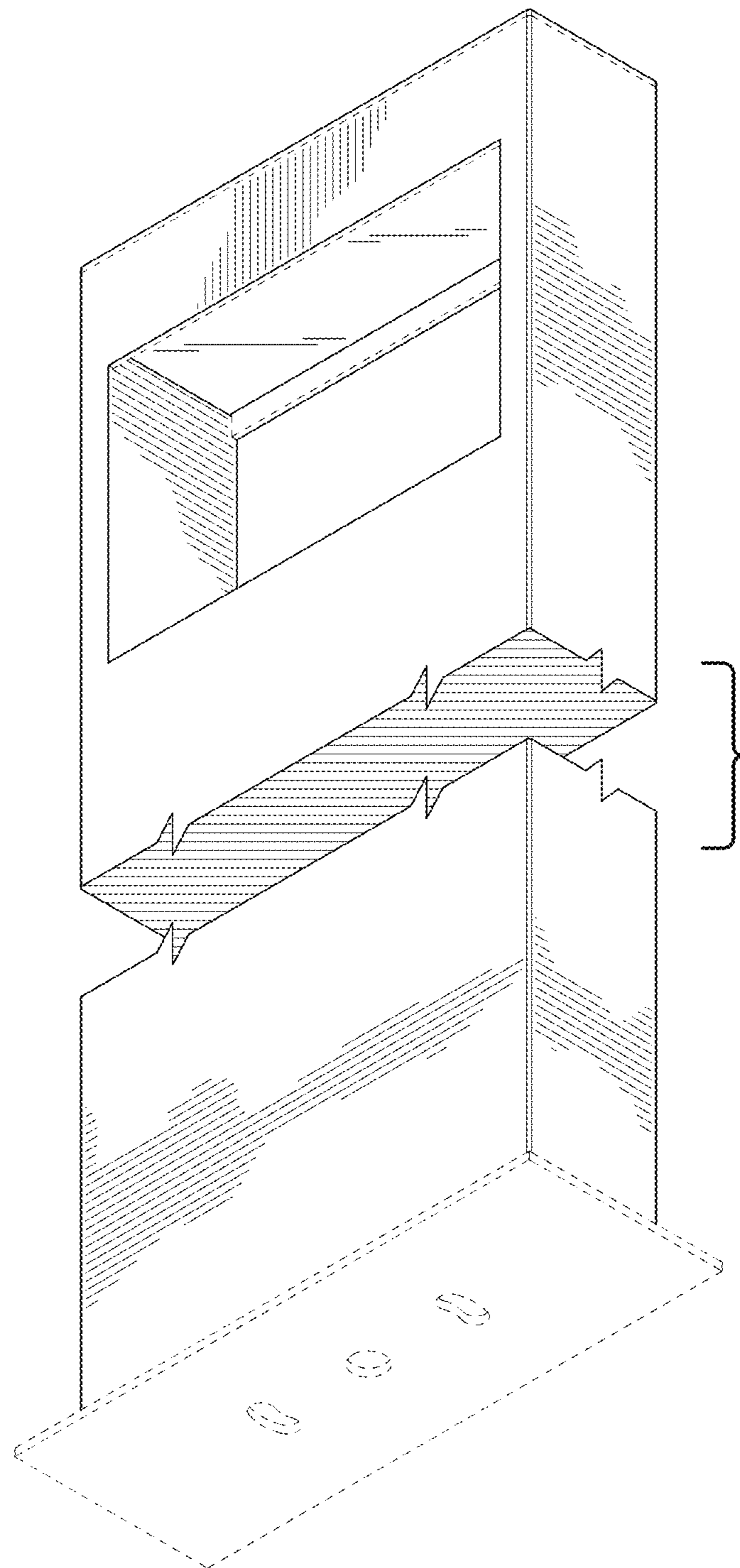


FIG. 2

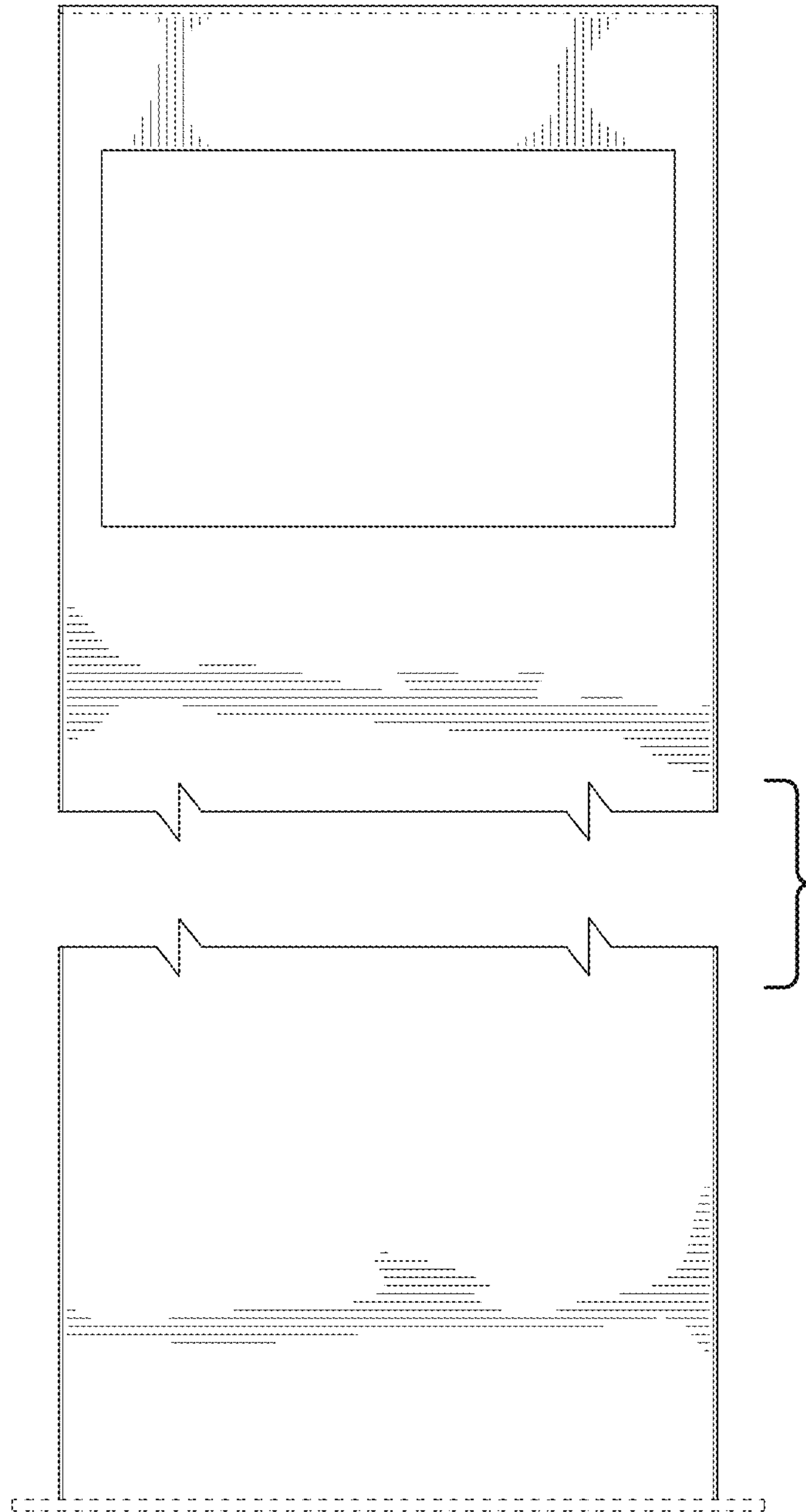


FIG. 3

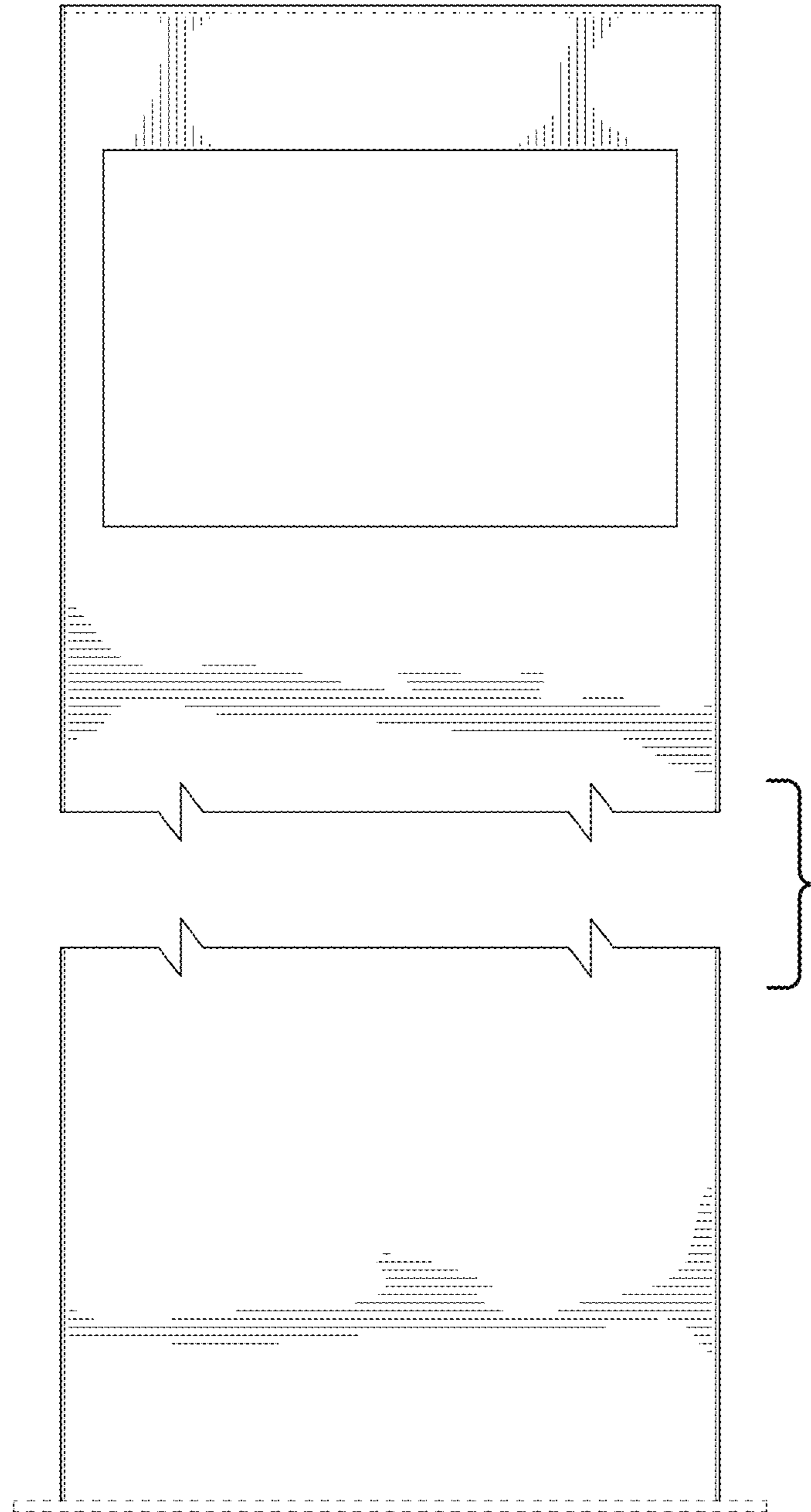


FIG.4

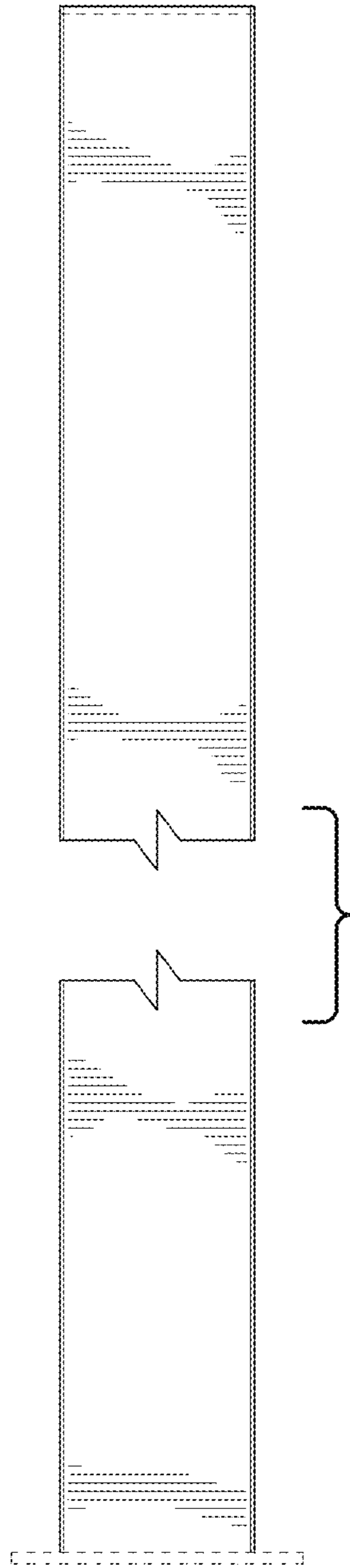


FIG. 5

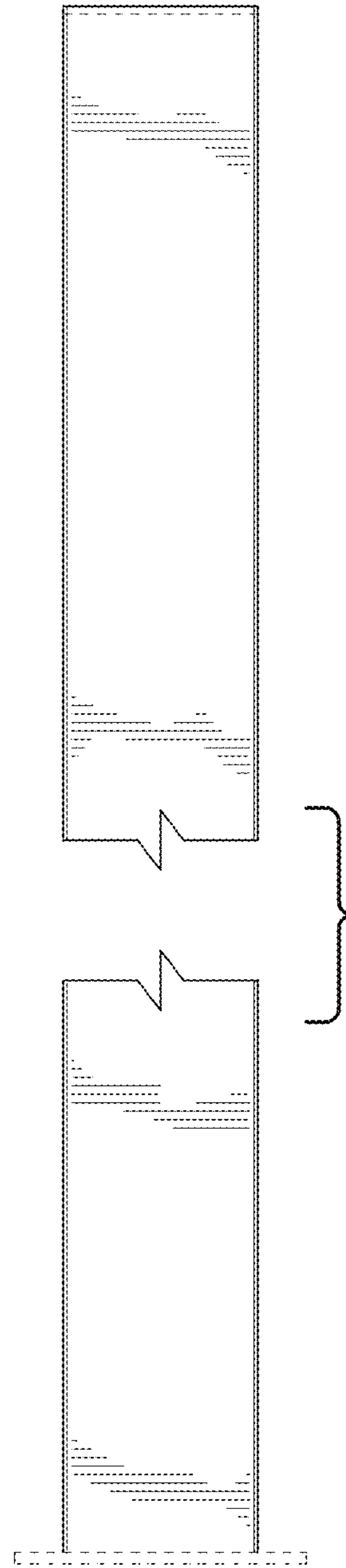


FIG. 6

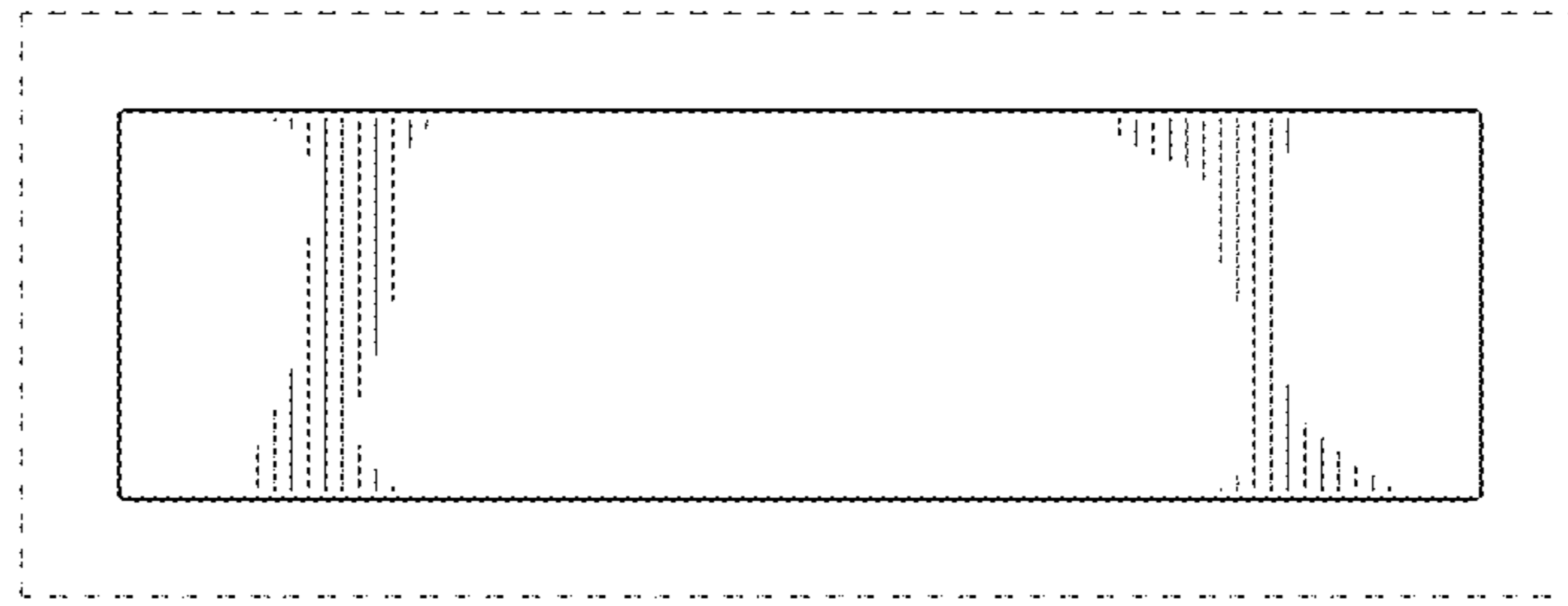


FIG. 7

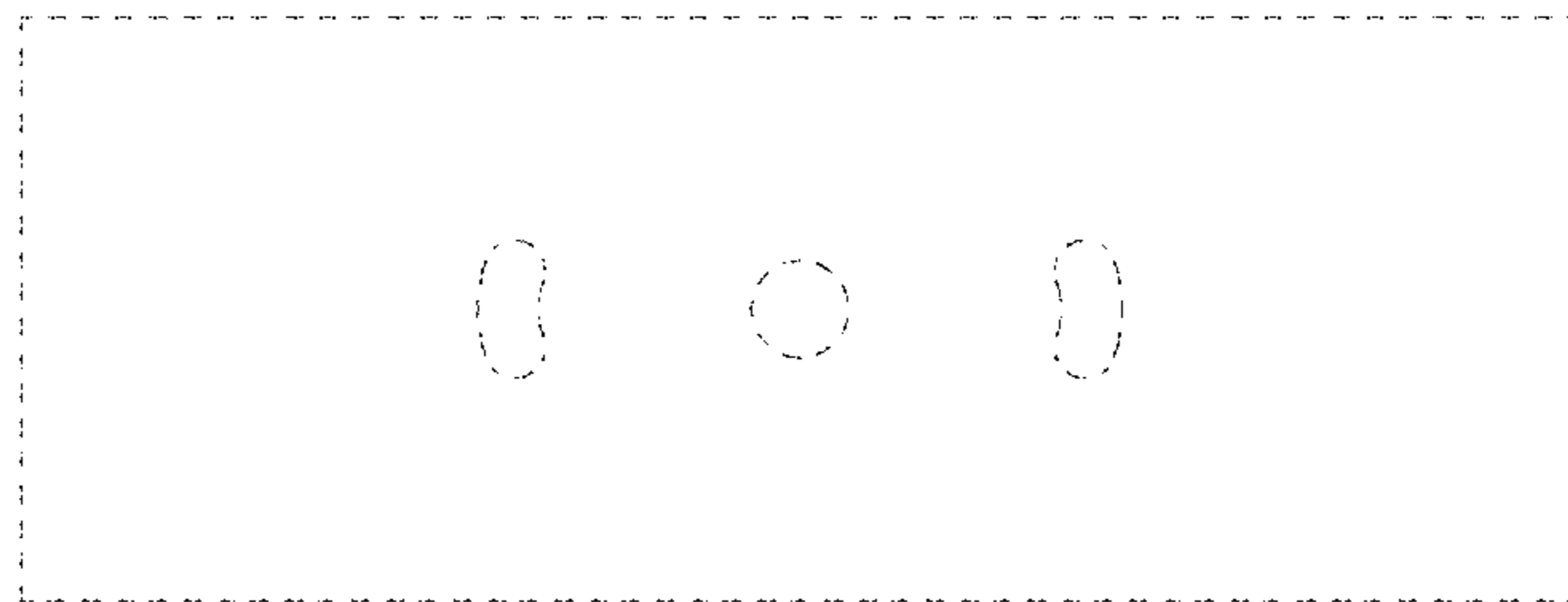


FIG. 8