



US00D825808S

(12) **United States Design Patent**  
**Hsu**

(10) **Patent No.:** **US D825,808 S**  
(45) **Date of Patent:** **\*\* Aug. 14, 2018**

- (54) **LAMP**
- (71) Applicant: **Dong Guan Jia Sheng Lighting Technology Co., Ltd. China,**  
Dong-Guna, Guang-Dong (CN)
- (72) Inventor: **Kevin Hsu,** Taichung (TW)
- (73) Assignee: **Dong Guan Jia Sheng Lighting Technology Co., Ltd. China,**  
Dong-Guna (CN)
- (\*\*) Term: **15 Years**
- (21) Appl. No.: **29/616,553**
- (22) Filed: **Sep. 7, 2017**
- (51) **LOC (11) Cl.** ..... **26-05**
- (52) **U.S. Cl.**  
USPC ..... **D26/68**
- (58) **Field of Classification Search**  
USPC ..... D26/67, 68, 85, 119, 129, 131, 132  
CPC .... F21S 8/032; F21S 8/081; F21S 9/03; F21S 9/037; F21W 2131/109; F21W 2111/02; F21W 2111/023; F21W 2111/06; F21V 21/0824  
See application file for complete search history.

- 4,870,548 A \* 9/1989 Beachy ..... F21S 8/081  
362/145
- D323,564 S \* 1/1992 Woodgate ..... D26/63
- 5,386,356 A \* 1/1995 Davis, Jr. .... F21S 8/081  
362/267
- D360,965 S \* 8/1995 Cullen ..... D26/63
- D389,935 S \* 1/1998 Pink ..... D26/63
- D410,559 S \* 6/1999 Odgaard ..... D26/68
- D413,996 S \* 9/1999 Andrus ..... D26/63
- D655,028 S \* 2/2012 Cravedi ..... D26/68
- 8,292,452 B2 \* 10/2012 Ko ..... F21S 8/081  
362/183

\* cited by examiner

*Primary Examiner* — Clare E Heflin  
(74) *Attorney, Agent, or Firm* — Alan D. Kamrath;  
Kamrath IP Lawfirm, P.A.

(57) **CLAIM**

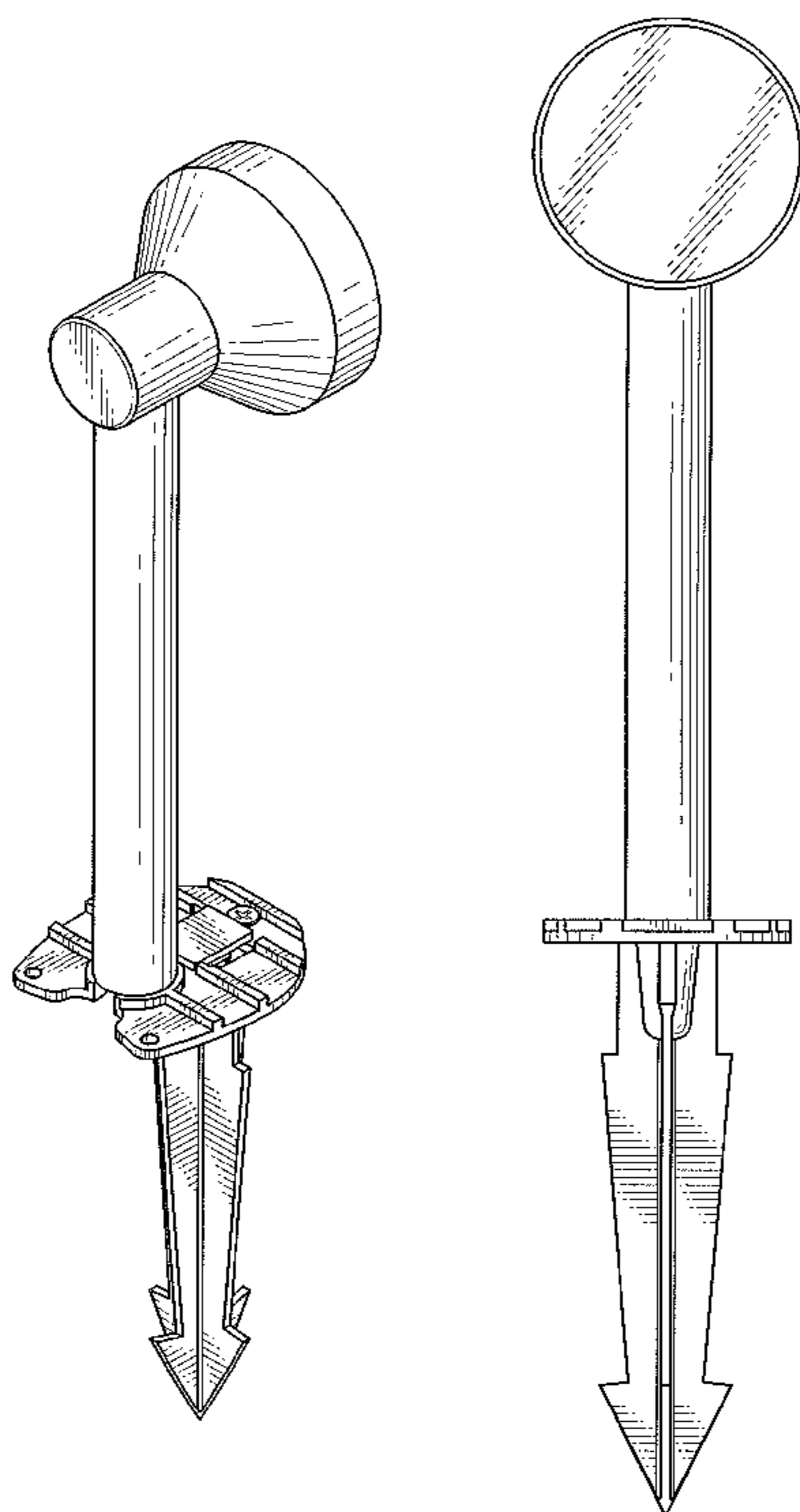
The ornamental design for a lamp, as shown and described.

**DESCRIPTION**

FIG. 1 is a perspective view of a lamp showing my design; FIG. 2 is a front elevational view thereof; FIG. 3 is a rear elevational view thereof; FIG. 4 is a left side elevational view thereof; FIG. 5 is a right side elevational view thereof; FIG. 6 is a top plan view thereof; and, FIG. 7 is a bottom plan view thereof.

**1 Claim, 6 Drawing Sheets**

- (56) **References Cited**  
U.S. PATENT DOCUMENTS  
2,797,310 A \* 6/1957 Moore ..... F21V 21/0824  
362/293  
3,519,984 A \* 7/1970 Zychal ..... F21V 21/0824  
315/241 R



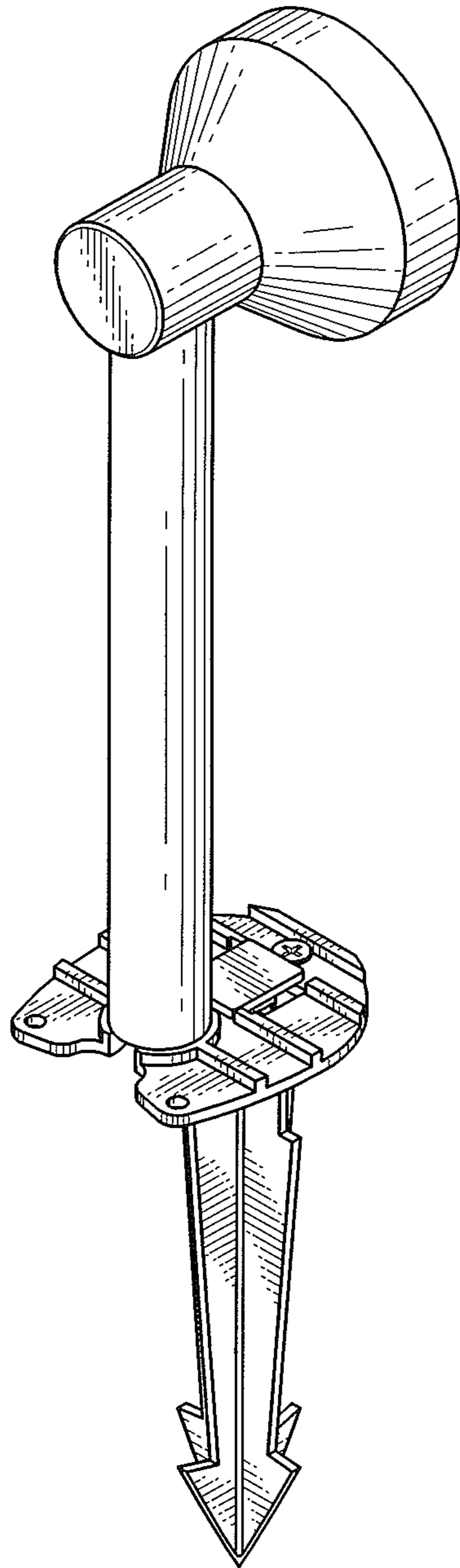


FIG. 1

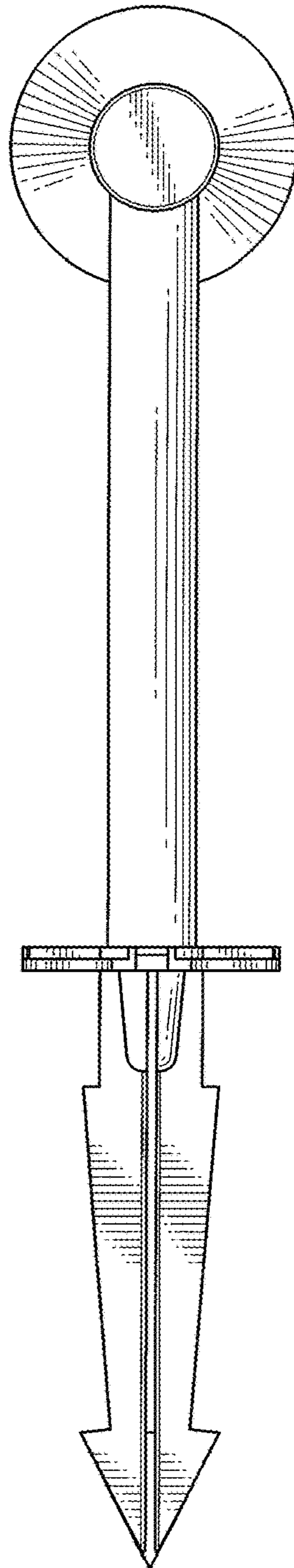


FIG. 2

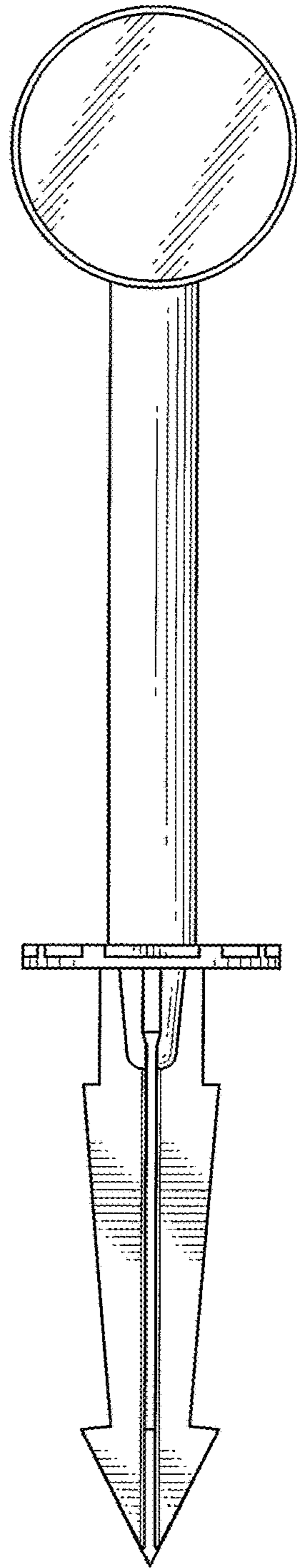


FIG. 3

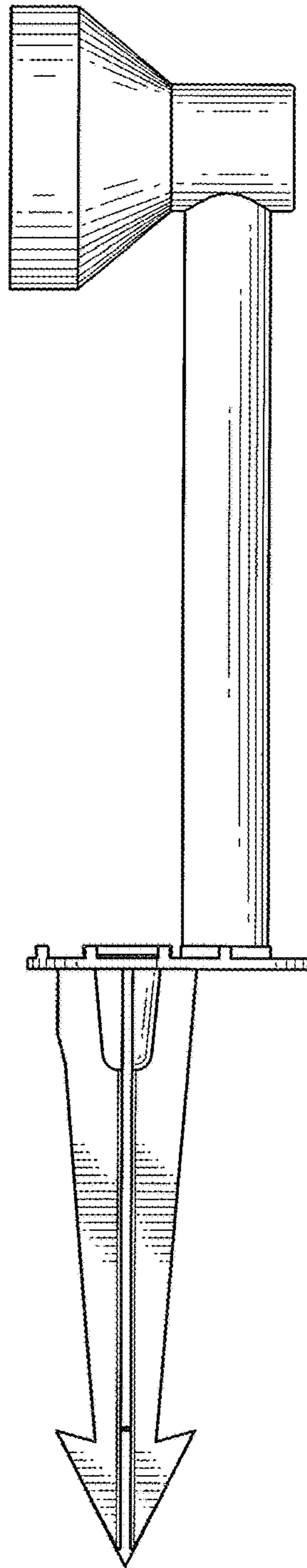


FIG. 4

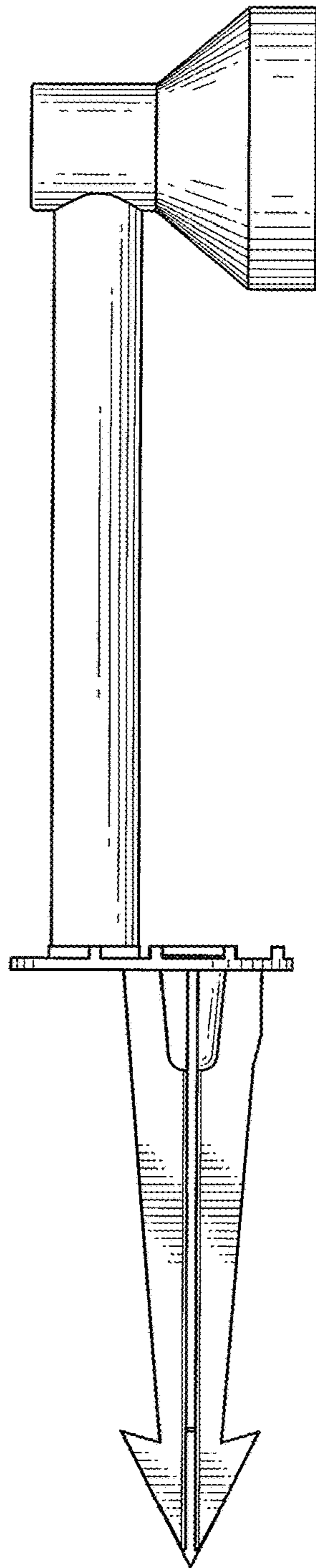


FIG. 5

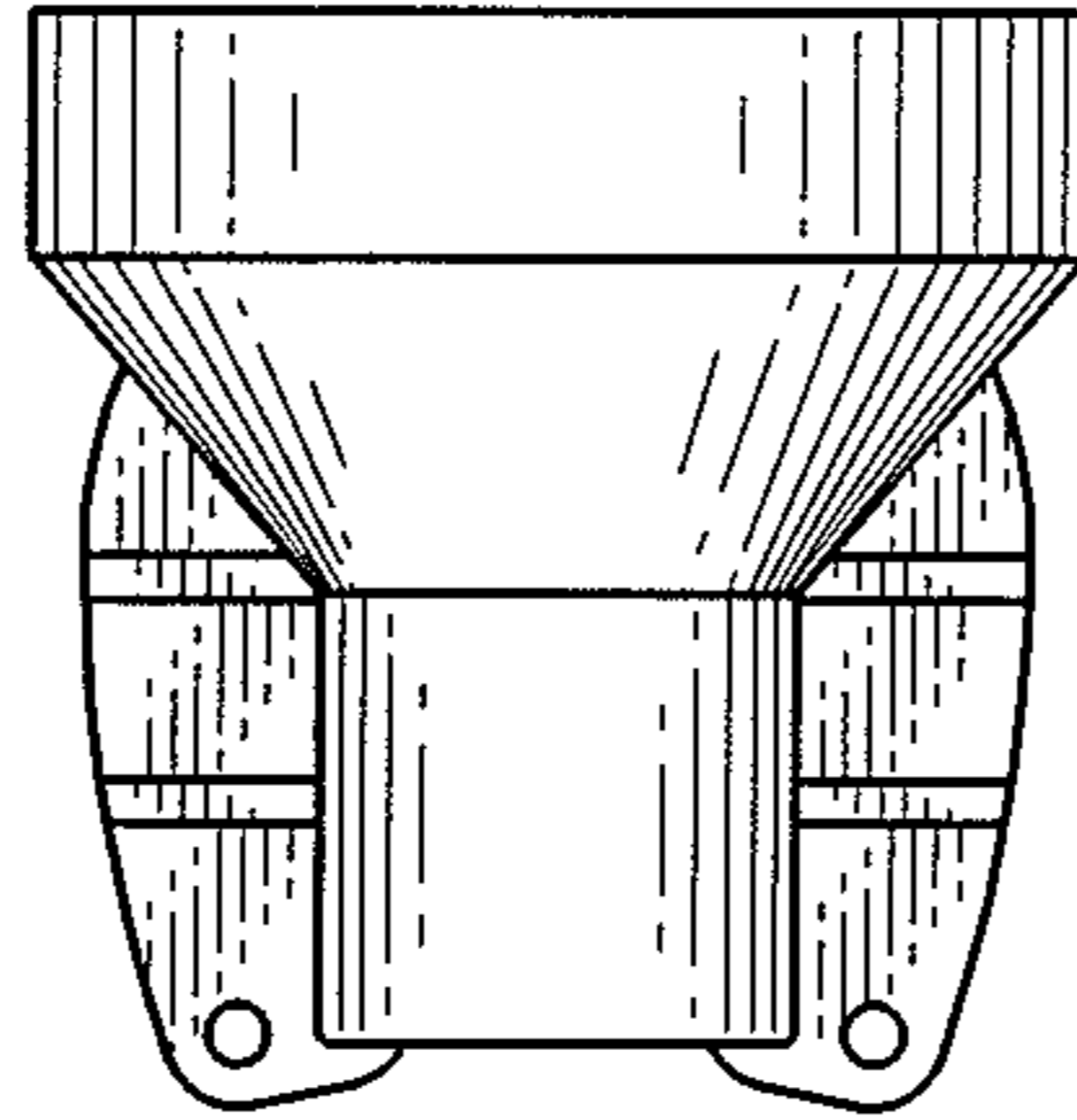


FIG. 6

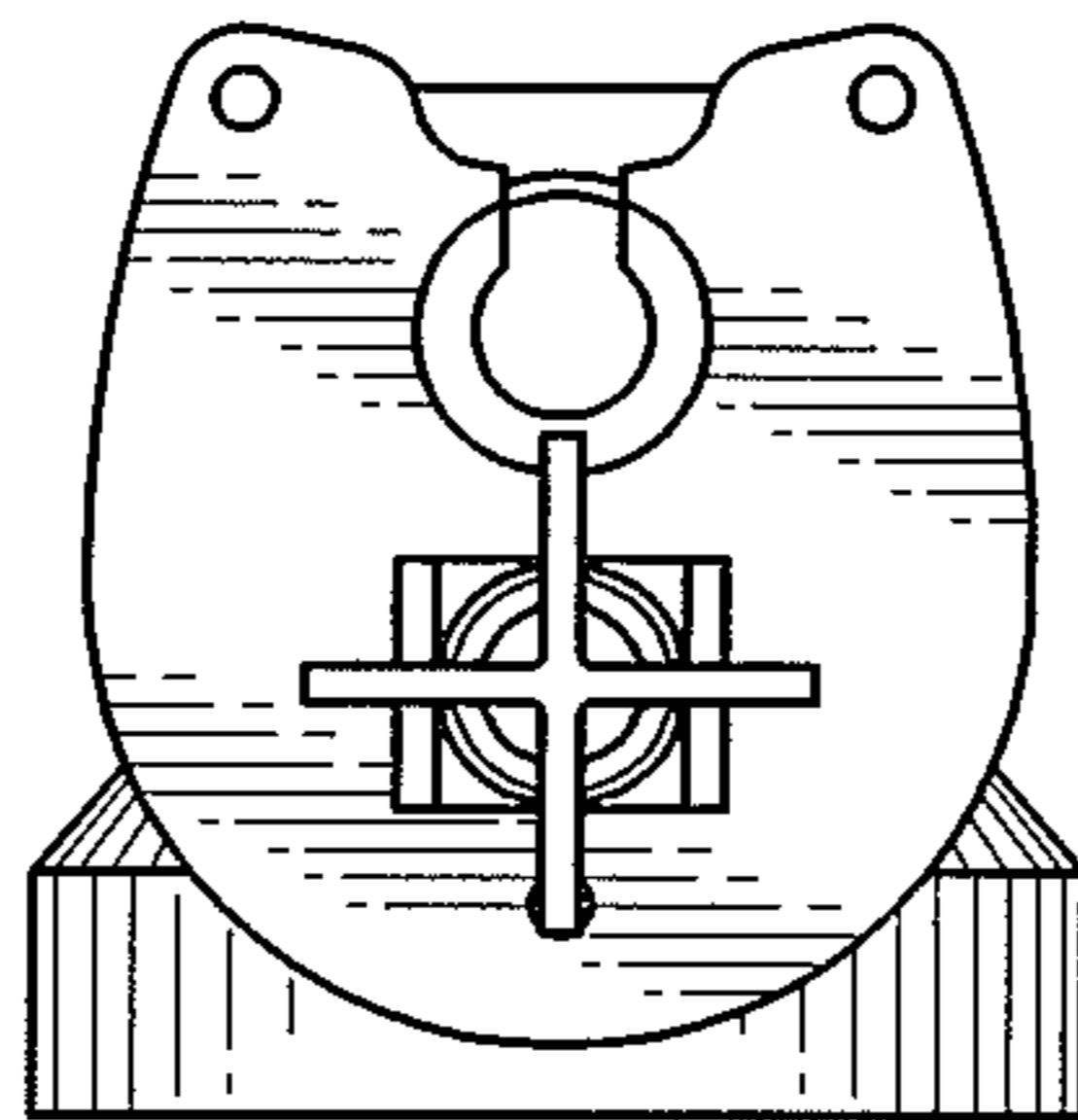


FIG. 7