



US00D825805S

(12) **United States Design Patent**
Jurik et al.

(10) **Patent No.:** **US D825,805 S**

(45) **Date of Patent:** **** Aug. 14, 2018**

(54) **LUMINAIRE**

(71) Applicant: **Robe Lighting s.r.o.**, Roznov pod Radhostem (CZ)

(72) Inventors: **Pavel Jurik**, Prostedni Becva (CZ);
Josef Valchar, Prostedni Becva (CZ)

(73) Assignee: **Robe Lighting s.r.o.**, Roznov pod Radhostem (CZ)

(**) Term: **15 Years**

(21) Appl. No.: **29/577,550**

(22) Filed: **Sep. 14, 2016**

(51) **LOC (11) Cl.** **26-03**

(52) **U.S. Cl.**
USPC **D26/63**

(58) **Field of Classification Search**
USPC D26/1, 24, 61, 63, 65, 85, 92
CPC F21V 21/14; F21V 15/01; F21V 14/02;
F21V 21/30; F21V 21/00; F21V 14/00;
F21S 8/00; F21S 8/003; F21S 8/043;
F21Y 2105/001
See application file for complete search history.

(56) **References Cited**

U.S. PATENT DOCUMENTS

D389,261 S * 1/1998 Lin D26/65
D629,547 S * 12/2010 Salm D26/63

D728,840 S * 5/2015 Eustace D26/63
D735,388 S * 7/2015 Schlegel D26/63
D750,827 S * 3/2016 Jonischkeit D26/61
D751,234 S * 3/2016 Eustace D26/63
D759,280 S * 6/2016 Moller D26/63
D779,096 S * 2/2017 Xu D26/63
D789,581 S * 6/2017 Peard D26/61

* cited by examiner

Primary Examiner — Brian N Vinson

(74) *Attorney, Agent, or Firm* — Conley Rose, P.C.; Grant Rodolph; Brooks W Taylor

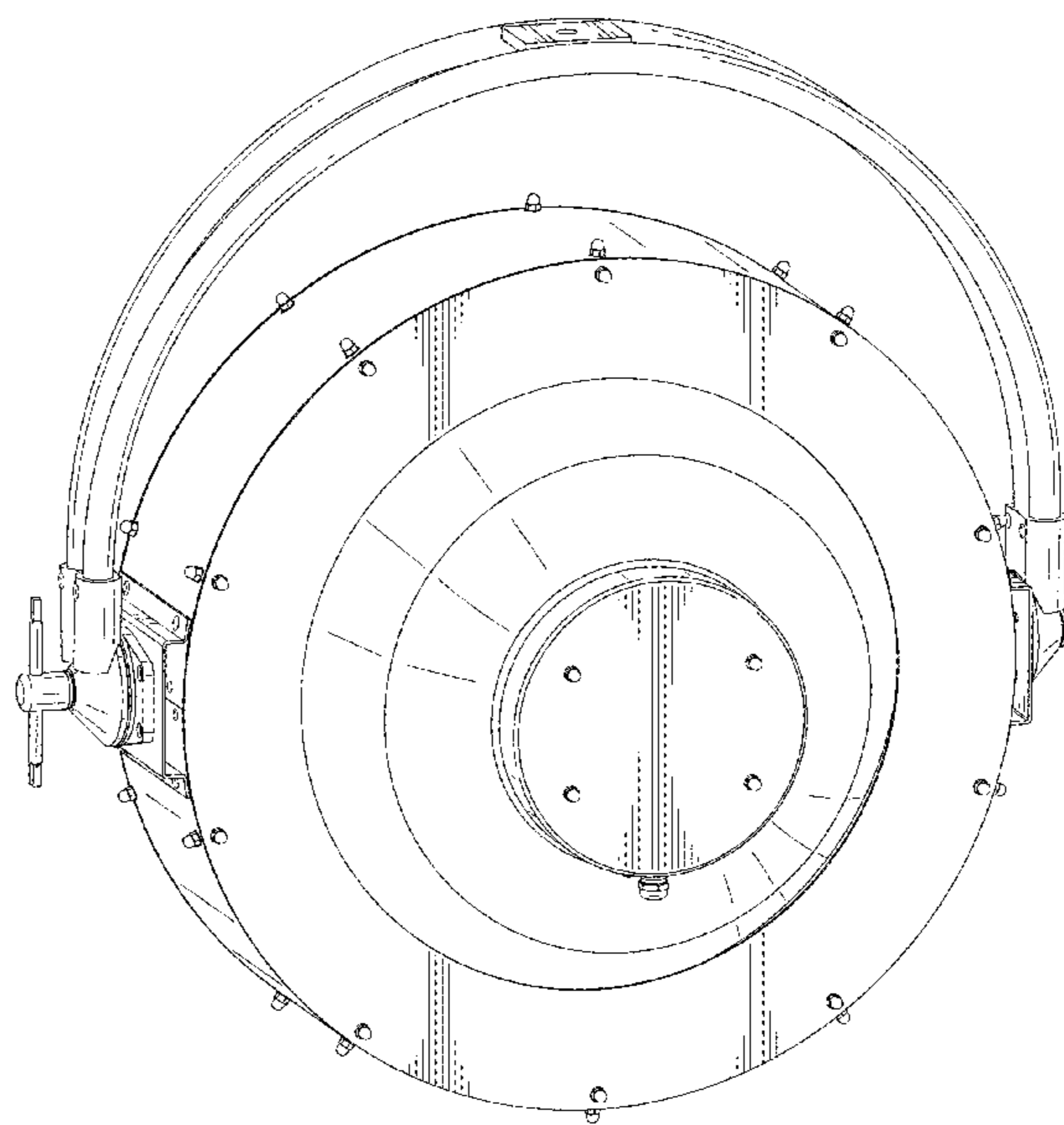
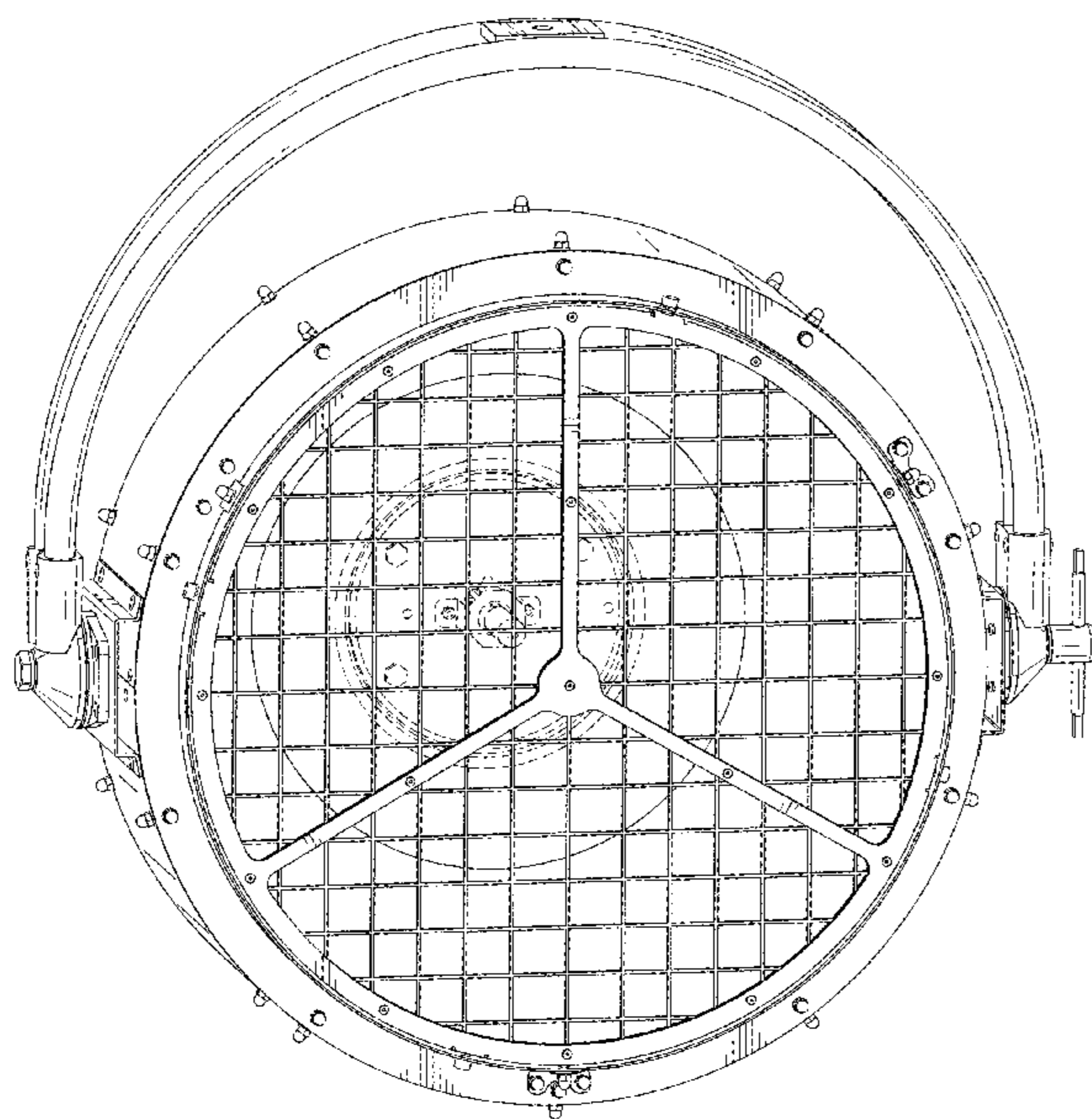
(57) **CLAIM**

The ornamental design for a luminaire, as shown and described.

DESCRIPTION

FIG. 1 is a front elevational view of a luminaire showing our new design;
FIG. 2 is a left side elevational view thereof;
FIG. 3 is a rear elevational view thereof;
FIG. 4 is a top plan view thereof;
FIG. 5 is a top, front, and left side perspective view thereof; and,
FIG. 6 is a top, rear and right side elevational view thereof. The broken line disclosure represents portions of the Luminaire which form no part of the claimed design.

1 Claim, 6 Drawing Sheets



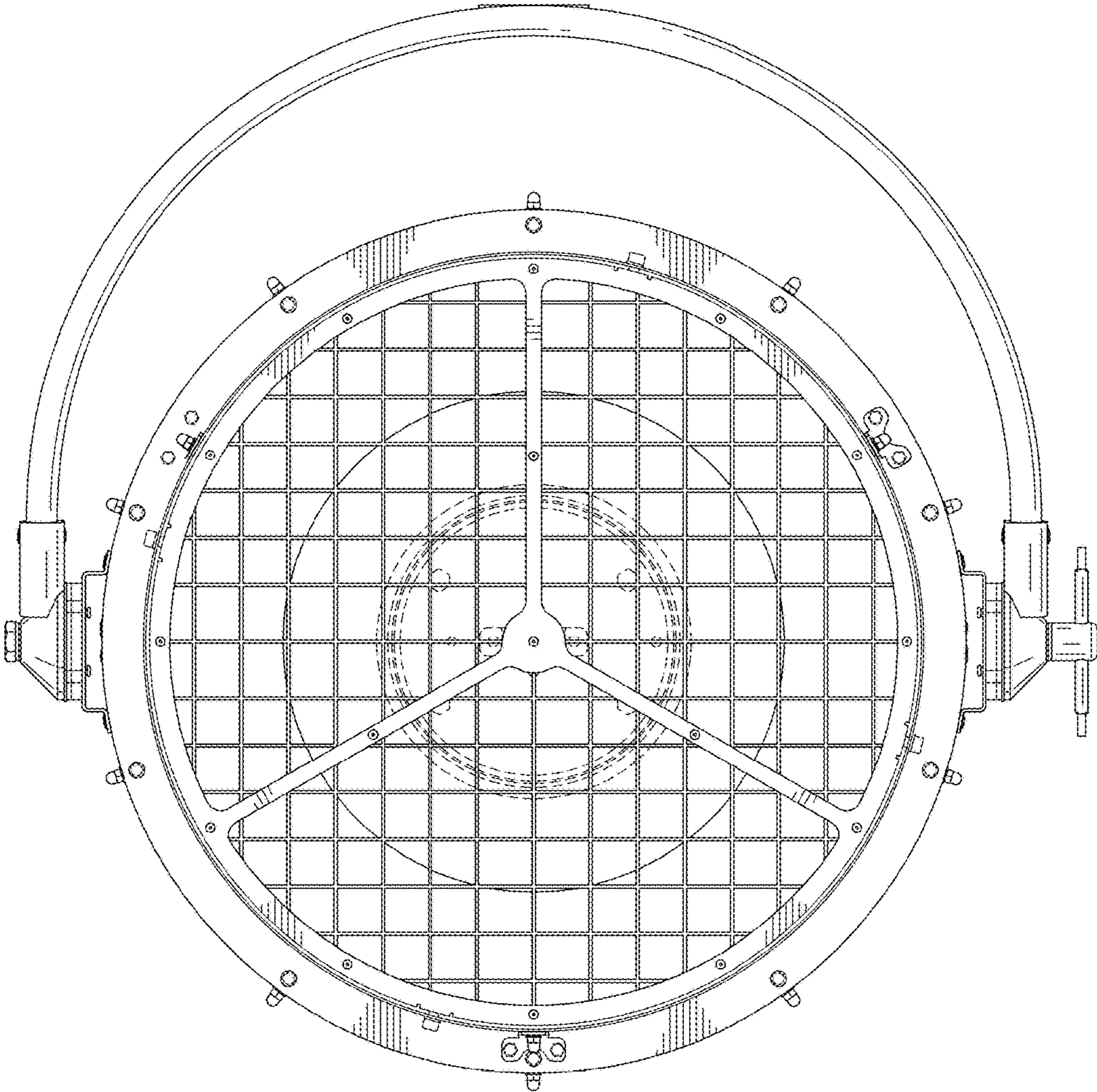


FIG. 1

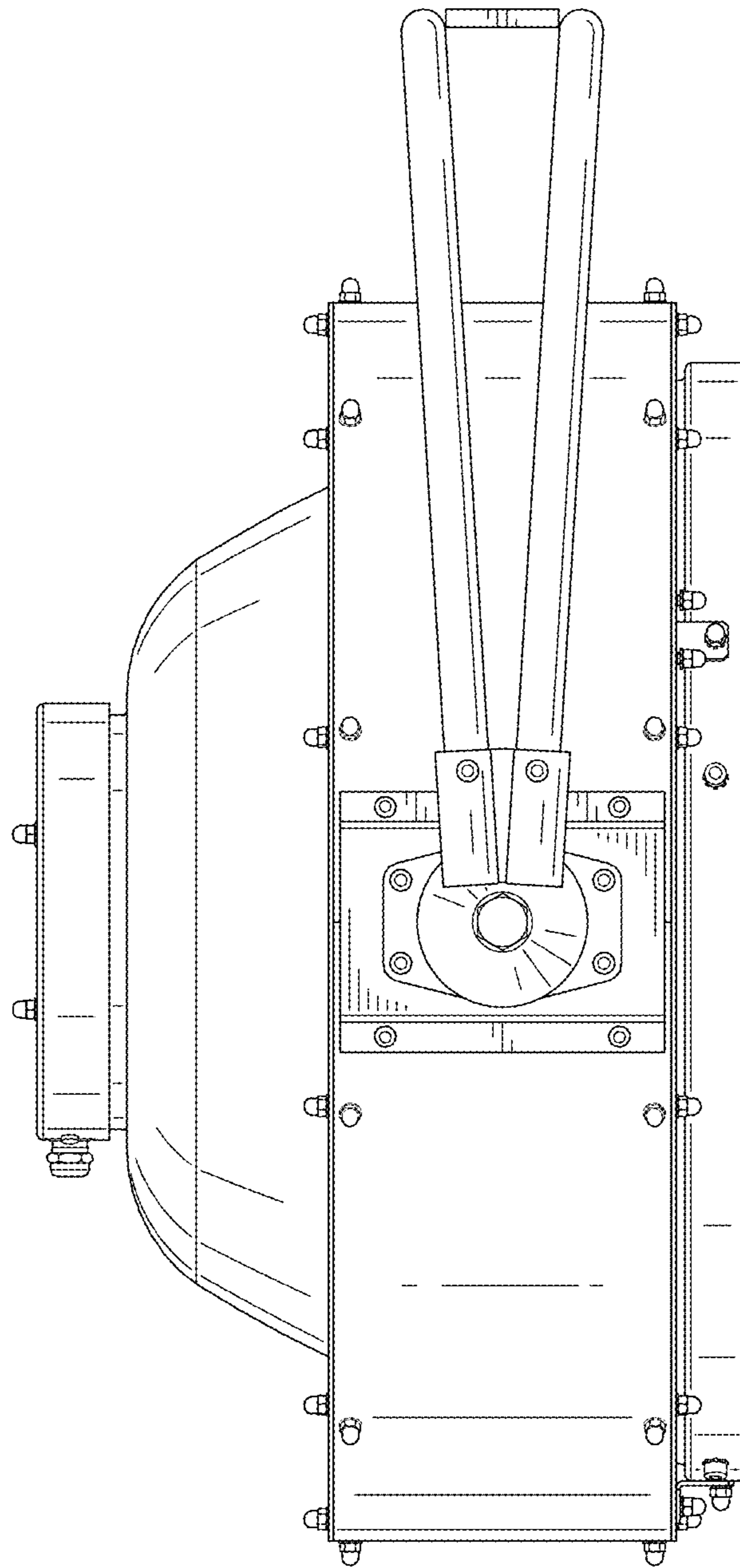


FIG. 2

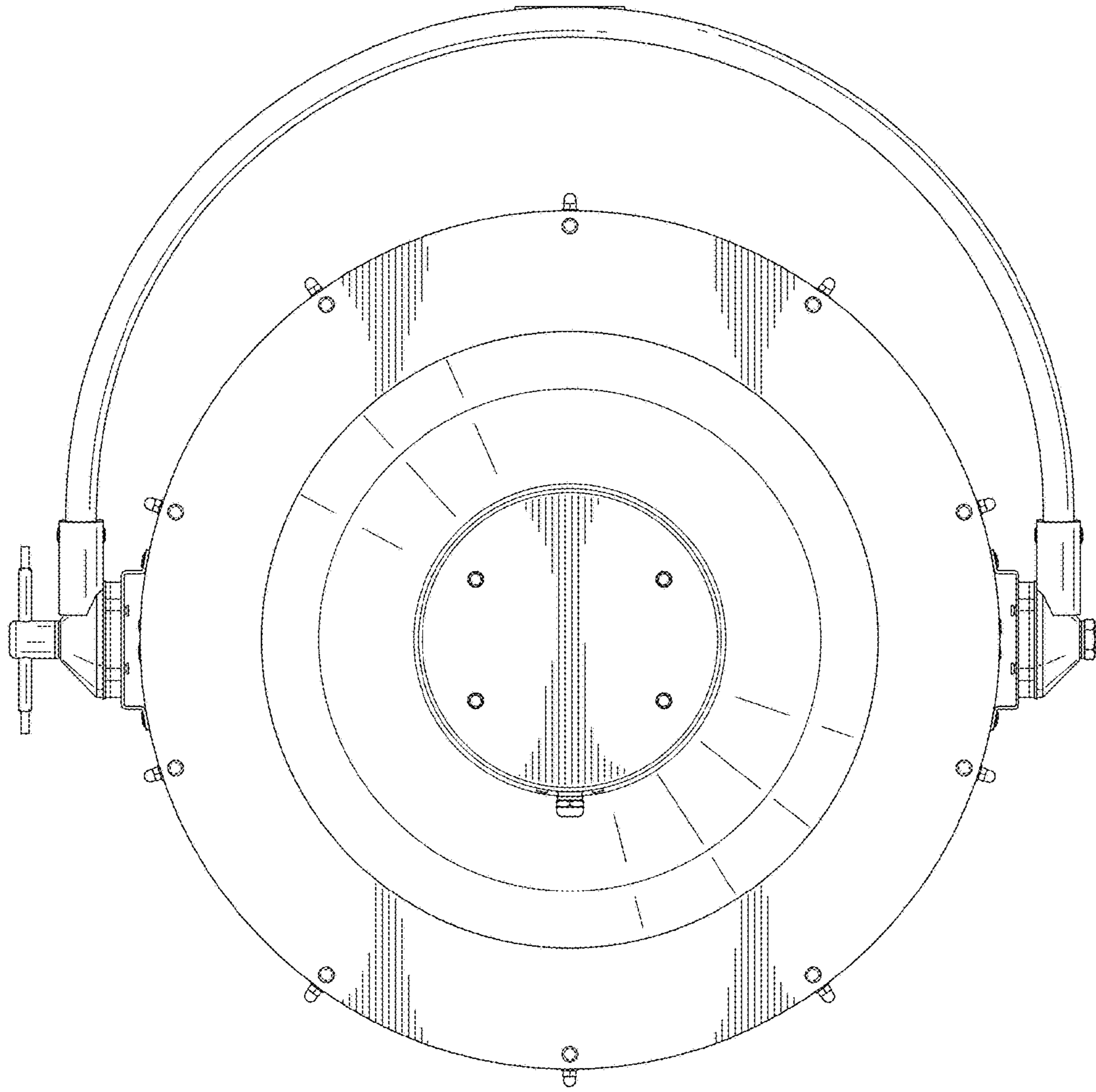


FIG. 3

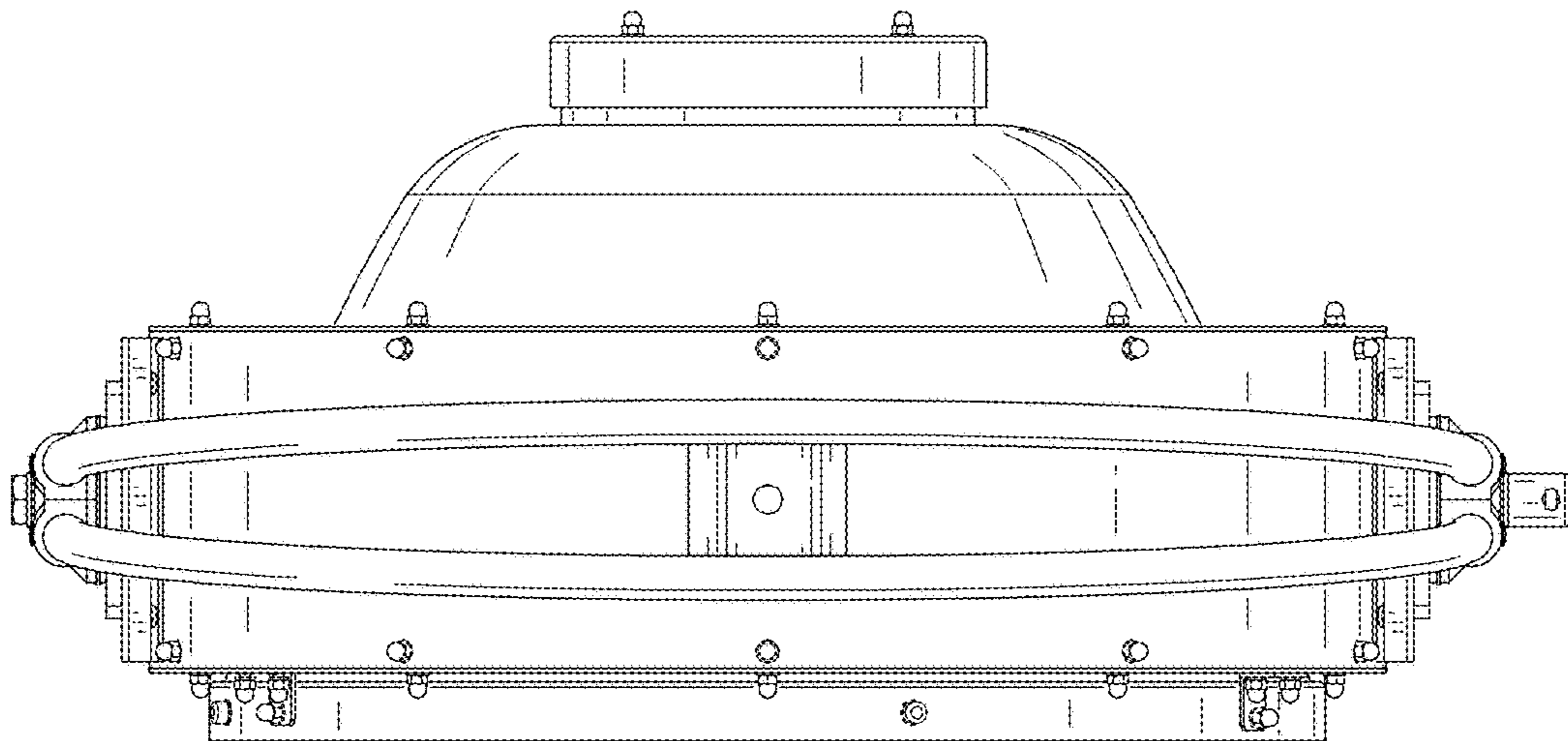


FIG. 4

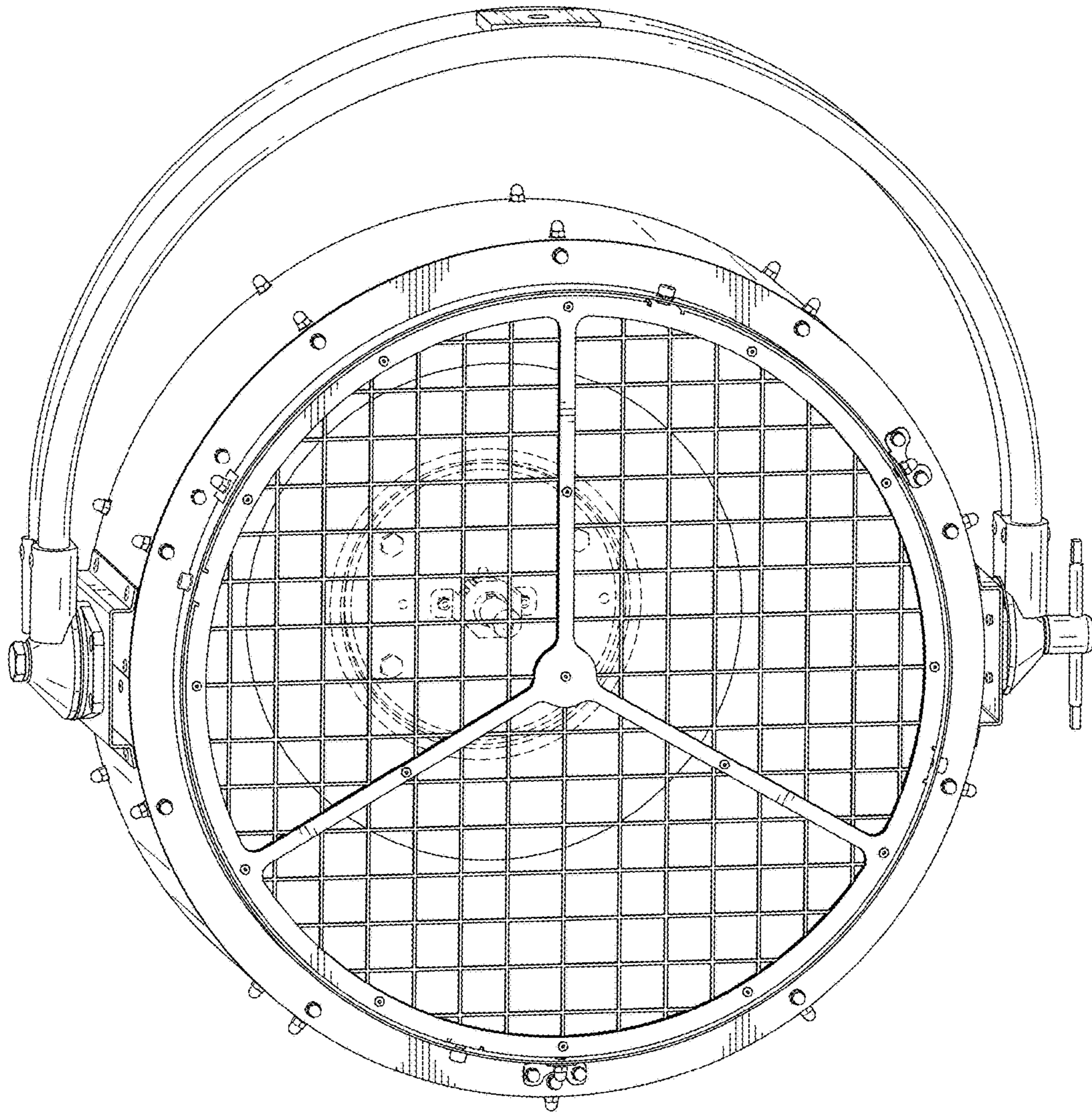


FIG. 5

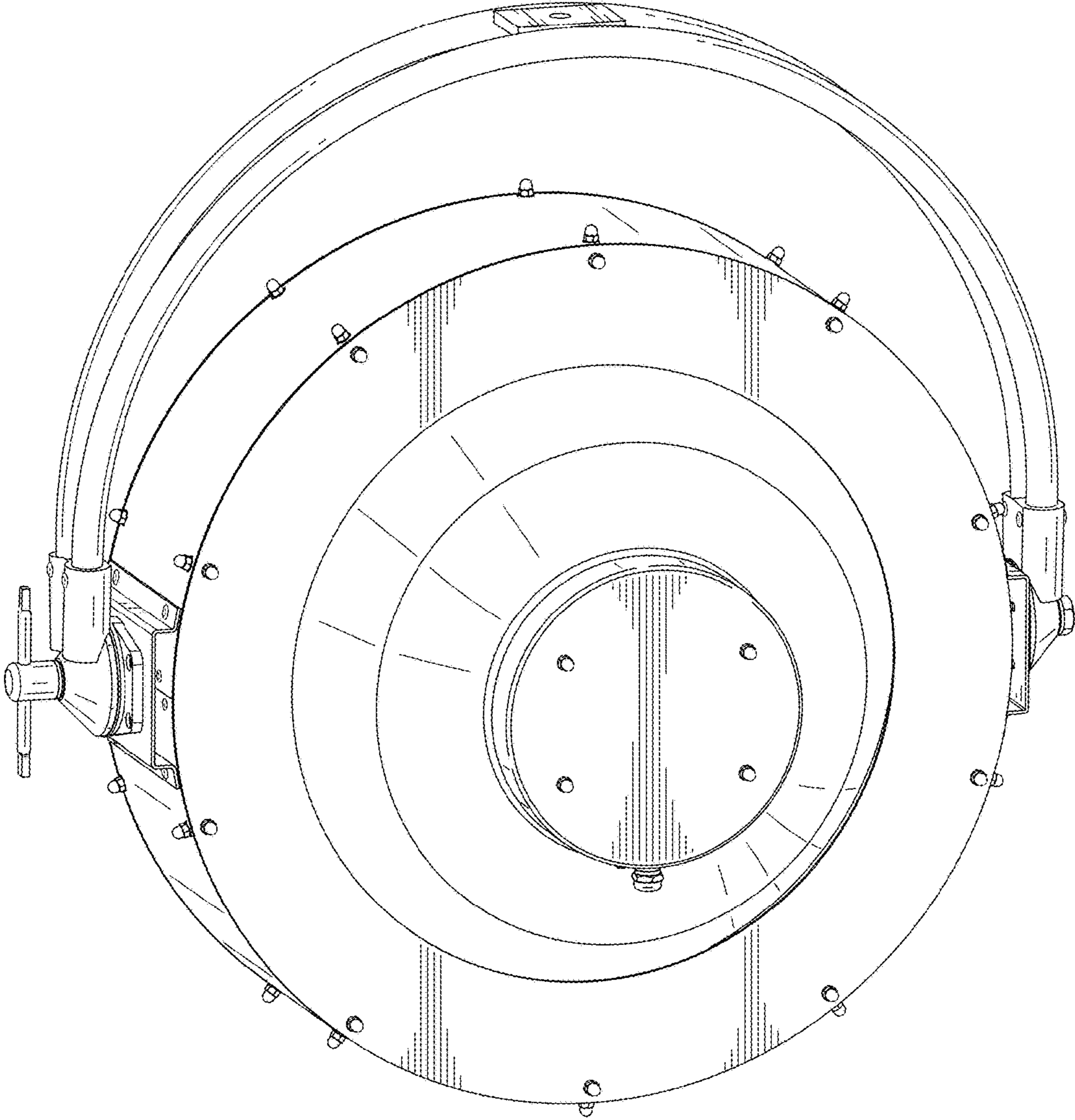


FIG. 6