



US00D825804S

(12) **United States Design Patent** (10) **Patent No.:** **US D825,804 S**
Okuda (45) **Date of Patent:** **** Aug. 14, 2018**

(54) **LAMP**

FOREIGN PATENT DOCUMENTS

(71) Applicant: **Cateye Co., Ltd.**, Osaka (JP)

JP 1059389 1/2000

(72) Inventor: **Yoji Okuda**, Osaka (JP)

JP 1089719 10/2000

(73) Assignee: **Cateye Co., Ltd.**, Osaka (JP)

JP 1204273 5/2004

TW D116254 4/2007

(**) Term: **15 Years**

OTHER PUBLICATIONS

(21) Appl. No.: **29/611,966**

Mono Magazine, No. 16, vol. 26, p. 166, Sep. 13, 2007, Portable Lamp D3-500.

(22) Filed: **Jul. 27, 2017**

amazon.com, Inc., published on the website, Oct. 21, 2009, Nite Ize MSL-03-10 SpotLit LDE Light, Red.

(30) **Foreign Application Priority Data**

* cited by examiner

Jan. 31, 2017 (JP) 2017-001703

Primary Examiner — Brian N Vinson

(51) **LOC (11) Cl.** **26-03**

(74) *Attorney, Agent, or Firm* — Saul Ewing Arnstein & Lehr LLP

(52) **U.S. Cl.**

USPC **D26/60**

(58) **Field of Classification Search**

USPC D26/37, 39, 38, 46, 60

CPC F21V 33/00; F21V 14/025; F21V 21/406;

F21V 21/0085; F21Y 2101/02; F21L

17/00; F21L 13/08

See application file for complete search history.

(57) **CLAIM**

The ornamental design for a lamp, as shown and described.

(56) **References Cited**

DESCRIPTION

U.S. PATENT DOCUMENTS

FIG. 1 is a perspective view of a lamp showing my new design;

FIG. 2 is a front view thereof;

FIG. 3 is a back view thereof;

FIG. 4 is a top view thereof;

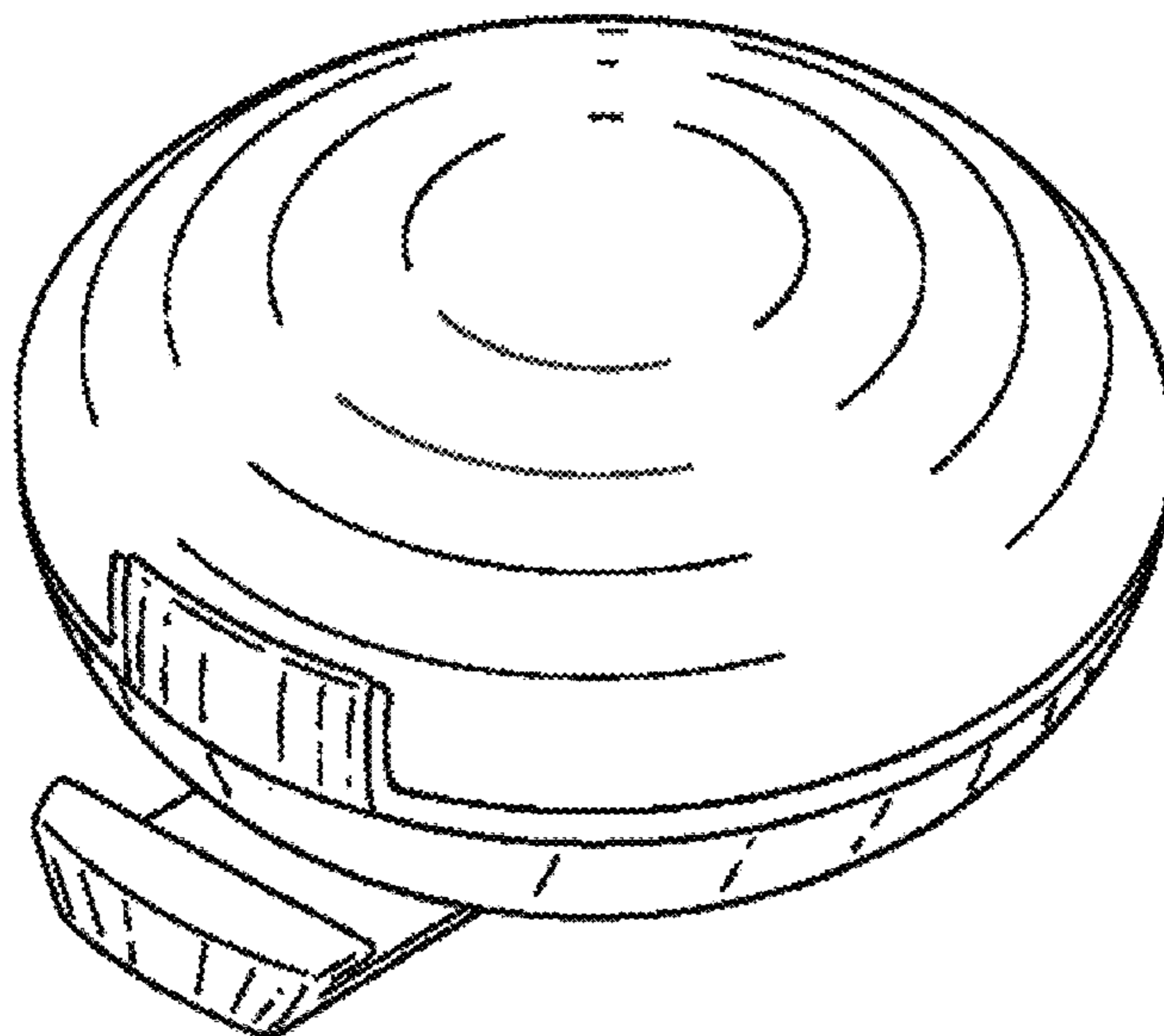
FIG. 5 is a bottom view thereof;

FIG. 6 is a right view thereof; and,

FIG. 7 is a left view thereof.

D376,025 S	11/1996	Lewis	
D477,889 S	7/2003	Coles et al.	
D544,388 S *	6/2007	Chisholm	D26/60
D568,516 S *	5/2008	Hillard	D26/60
D603,550 S *	11/2009	Levine	D26/60
D633,635 S *	3/2011	Poon	D26/60
D795,477 S *	8/2017	Fissell	D26/60

1 Claim, 4 Drawing Sheets



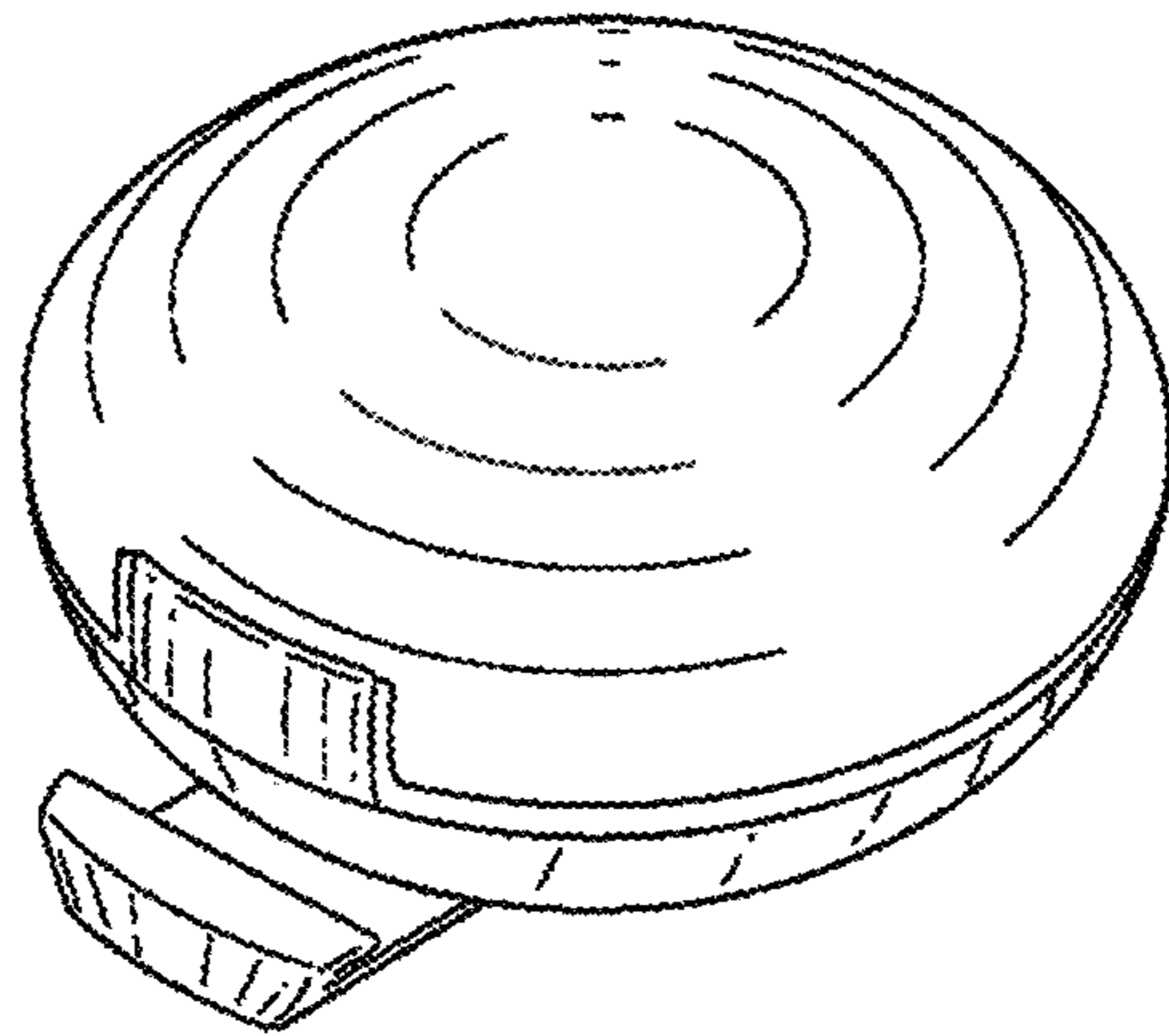


Fig. 1

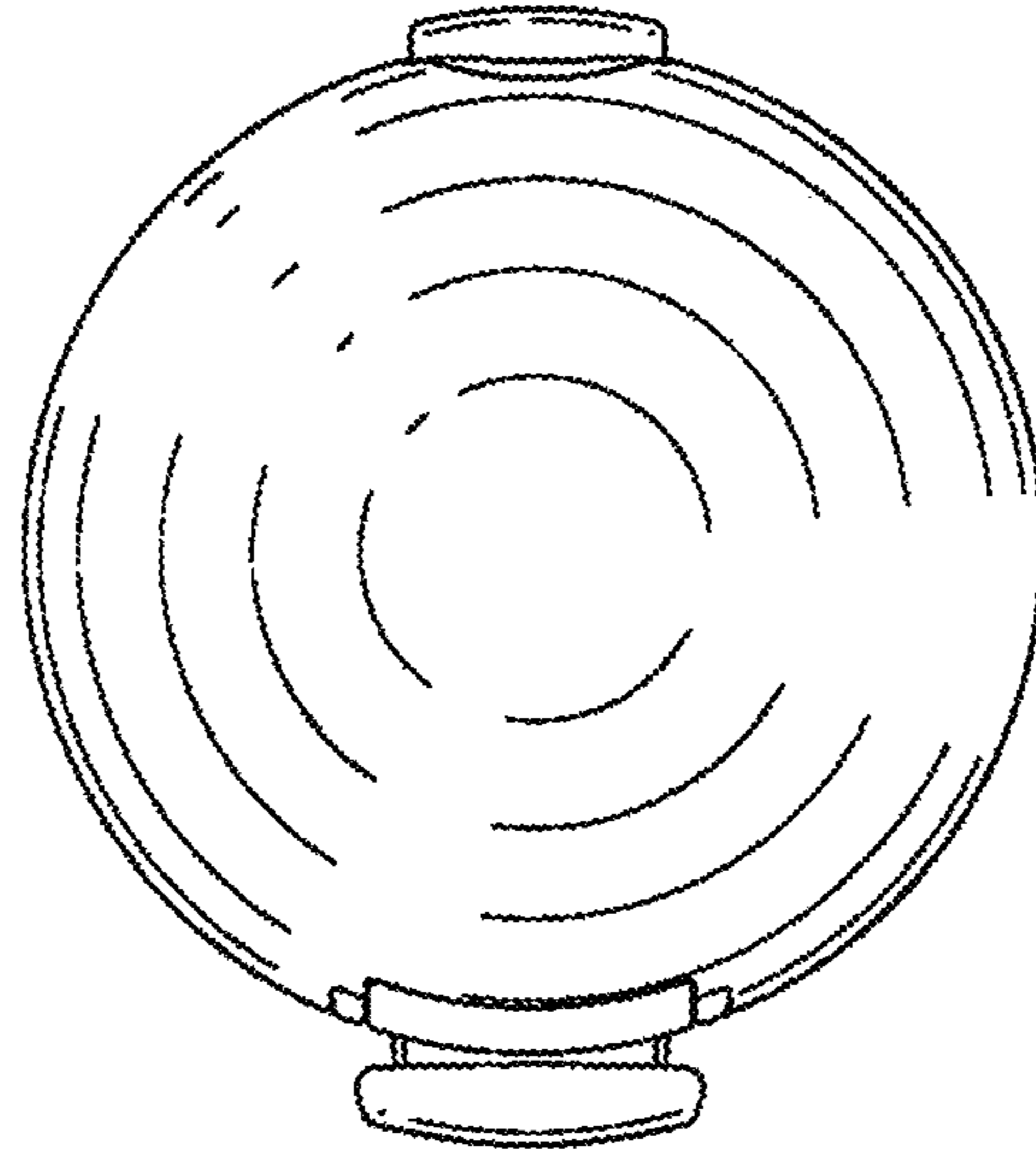


Fig. 2

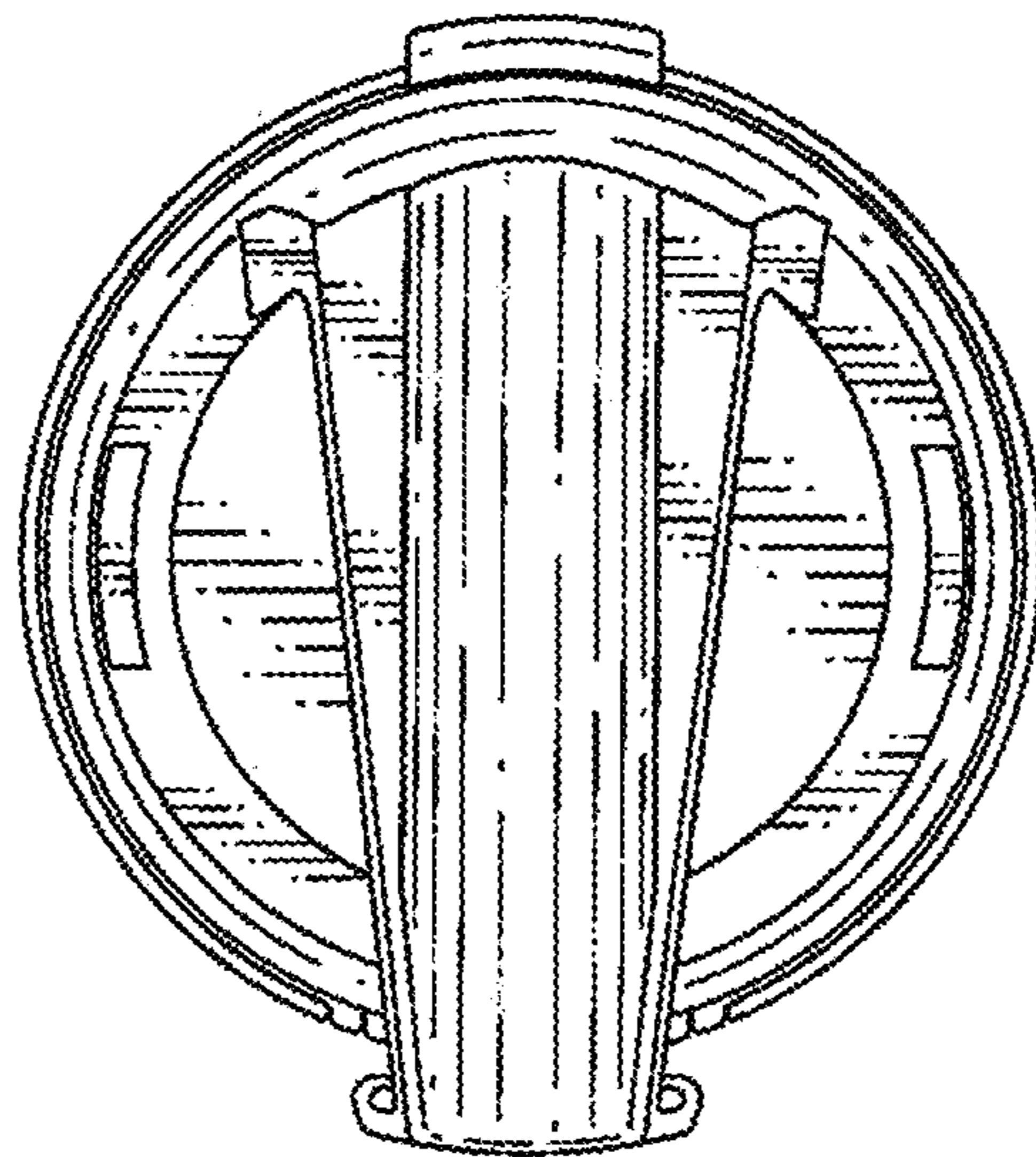


Fig. 3

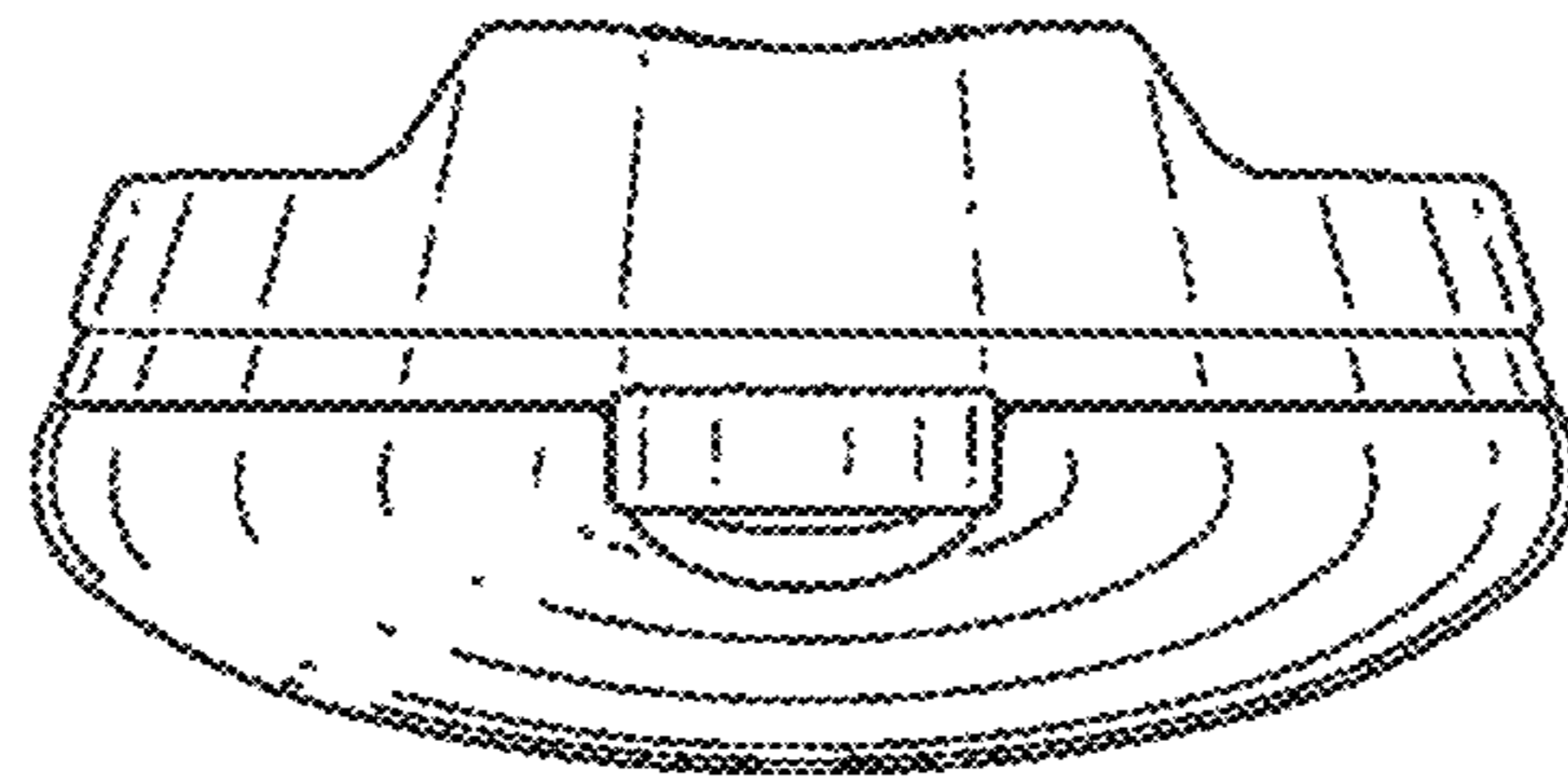


Fig. 4

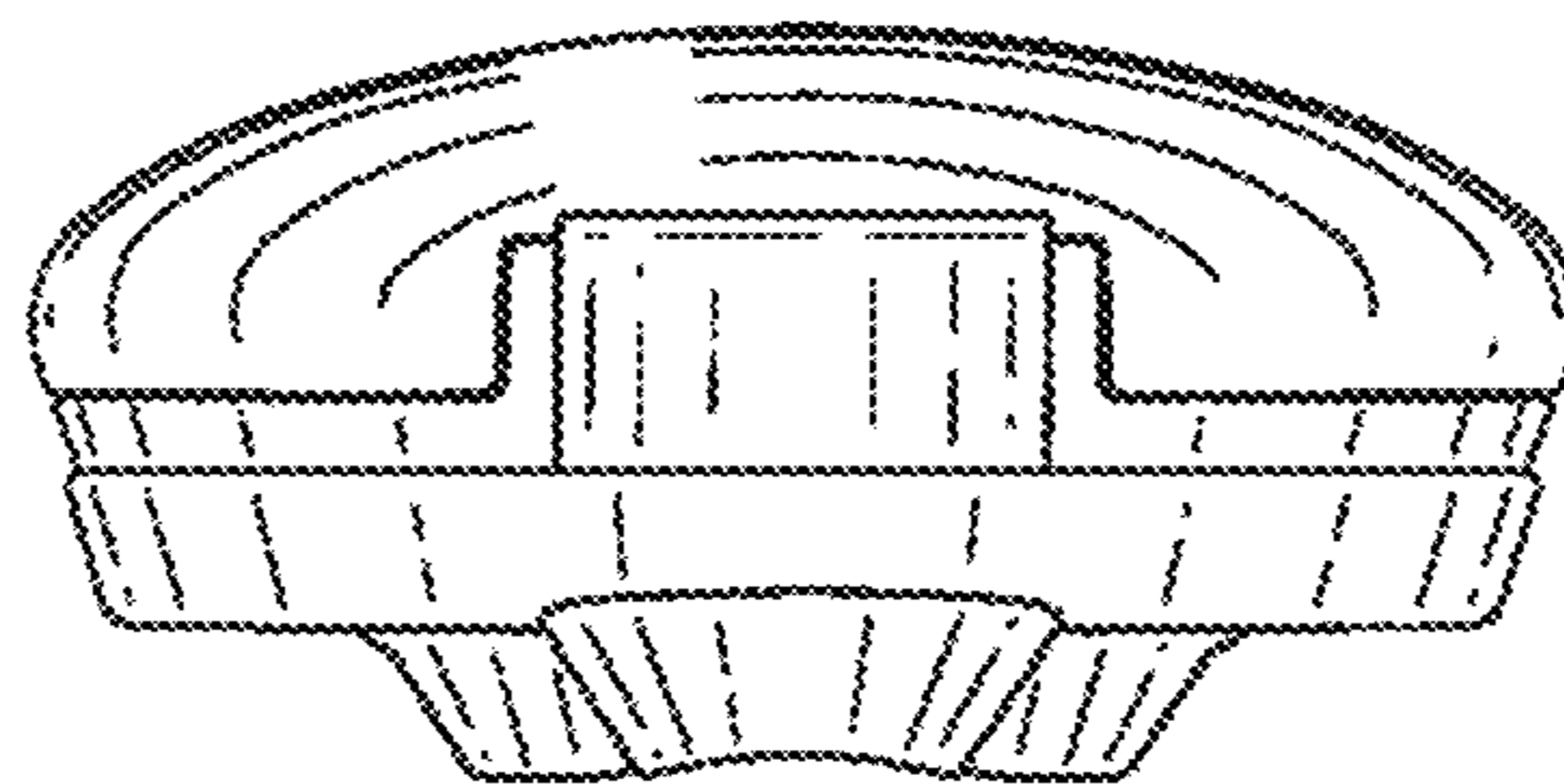


Fig. 5

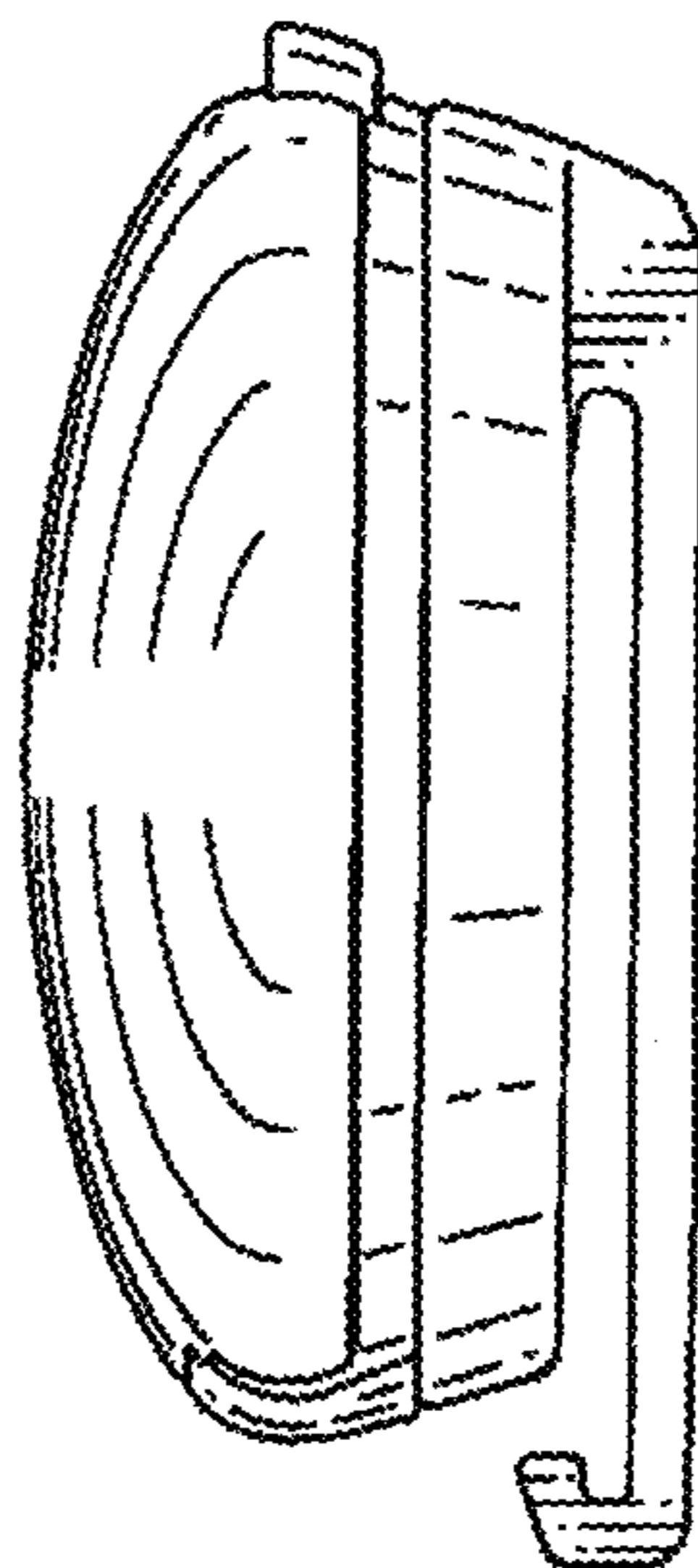


Fig. 6

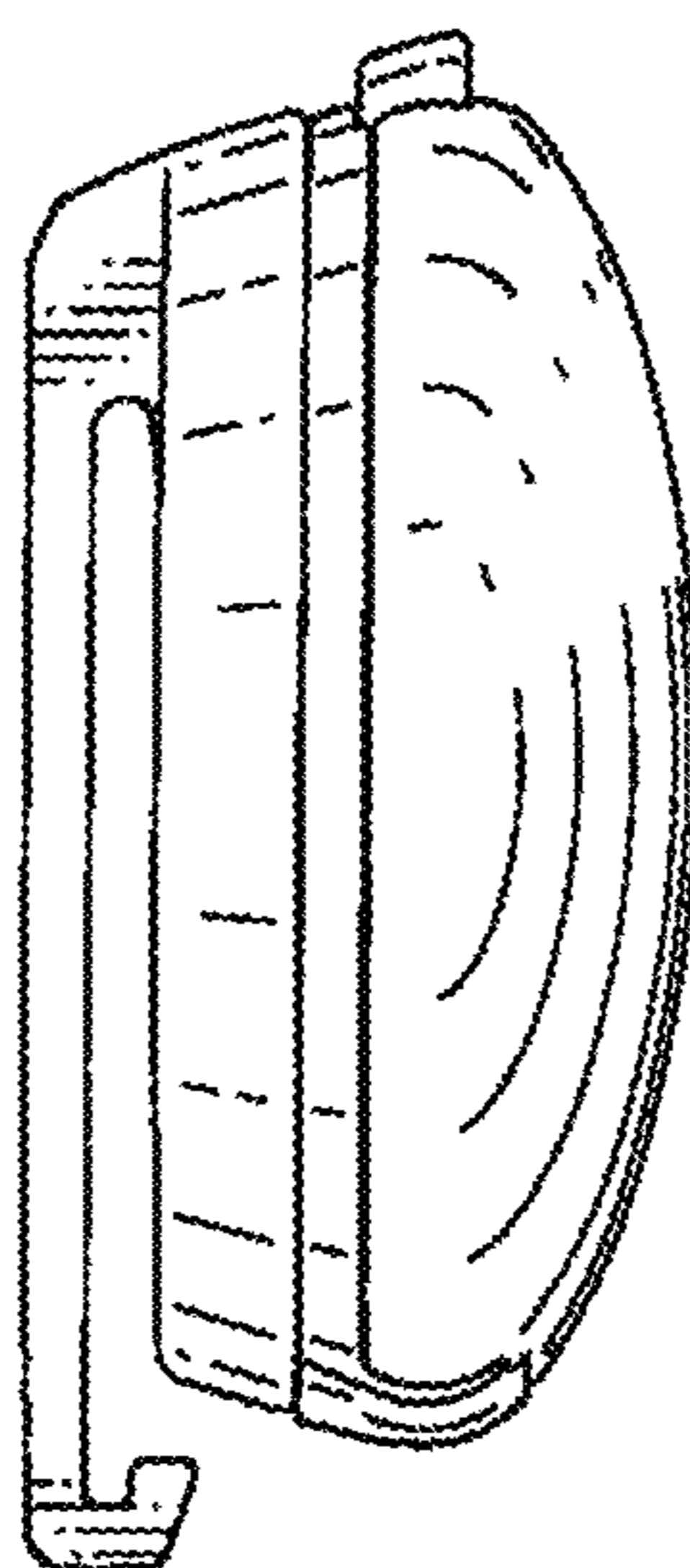


Fig. 7