



US00D825803S

(12) **United States Design Patent**
Rosandick et al.

(10) **Patent No.:** **US D825,803 S**

(45) **Date of Patent:** **** Aug. 14, 2018**

- (54) **FLASHLIGHT HEAD**
- (71) Applicant: **Spectrum Brands, Inc.**, Middleton, WI (US)
- (72) Inventors: **Alexander I. Rosandick**, Madison, WI (US); **Seung Il Kim**, Madison, WI (US)
- (73) Assignee: **Spectrum Brands, Inc.**, Middleton, WI (US)

(**) Term: **15 Years**

(21) Appl. No.: **29/563,251**

(22) Filed: **May 3, 2016**

(51) **LOC (11) Cl.** **26-02**

(52) **U.S. Cl.**
USPC **D26/44**

(58) **Field of Classification Search**
USPC D26/43, 44, 45, 48, 49, 50, 51, 62, 63, D26/71, 89; 362/199, 296.07, 311.09, 362/197, 202, 285, 287, 296.08, 311.07, 362/311.08; D8/25, 56, 306
CPC F21V 21/30; F21V 17/107; F21L 26/00; F21L 23/00; F21L 17/00; F21L 2005/00; F16C 7/00; F16C 11/00; F16C 2326/05
See application file for complete search history.

(56) **References Cited**

U.S. PATENT DOCUMENTS

1,453,607	A	5/1923	Saucier	
D119,792	S *	4/1940	Pieper	D26/63
D130,258	S	11/1941	Tucker	
D176,019	S *	11/1955	Hollowell	D8/306
2,798,404	A	7/1957	Schaeffer	
D201,038	S *	5/1965	Sullivan	D26/61
D207,551	S *	5/1967	Spaulding	D26/71
D212,498	S *	10/1968	Collings	D26/44
D241,972	S *	10/1976	Nau	D26/44
D254,094	S	1/1980	Jaksich	
D258,113	S *	2/1981	Koffler	D8/301

4,739,457	A *	4/1988	Orr	F21L 15/02 362/190
D308,114	S *	5/1990	Shemitz	D26/63
D308,260	S *	5/1990	Shemitz	D26/63
D333,008	S	2/1993	Frost et al.	
D375,811	S	11/1996	Hon	
D378,434	S *	3/1997	Petterson	D26/44
D404,840	S	1/1999	Van Deursen et al.	
D428,506	S	7/2000	Garrity et al.	
D429,015	S	8/2000	Garrity et al.	
D441,889	S	5/2001	Austin	
D456,544	S	4/2002	Harris et al.	

(Continued)

FOREIGN PATENT DOCUMENTS

EM	001035828-0001	11/2008
EM	001035828-0002	11/2008

Primary Examiner — Lakiya G Rogers

Assistant Examiner — Altaira J Swangin

(74) *Attorney, Agent, or Firm* — Banner & Witcoff, Ltd.

(57) **CLAIM**

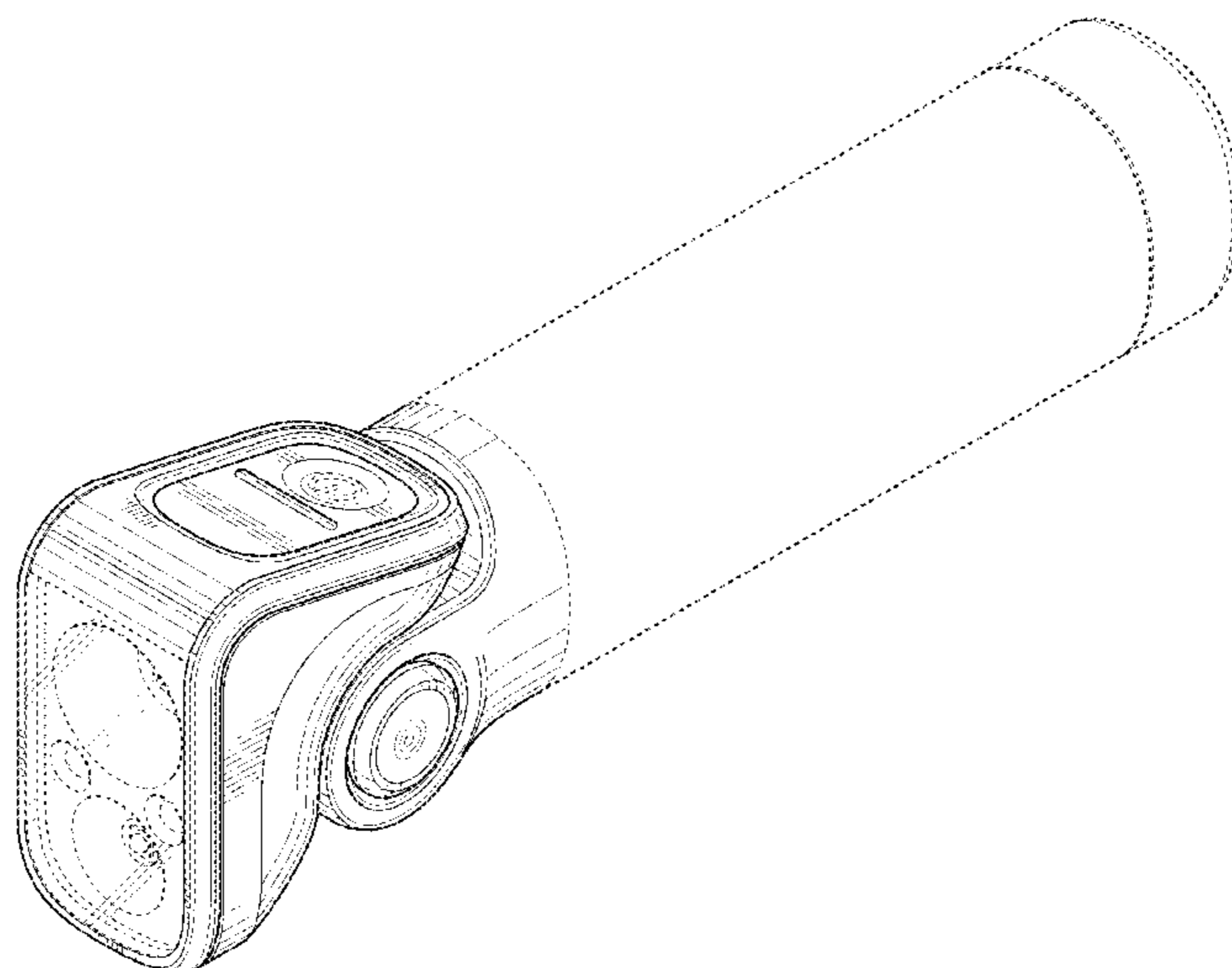
The ornamental design for a flashlight head, as shown and described.

DESCRIPTION

FIG. 1 is a front perspective view of a flashlight head showing our new design;
FIG. 2 is a right side view thereof;
FIG. 3 is a left side view thereof;
FIG. 4 is a top view thereof;
FIG. 5 is a bottom view thereof;
FIG. 6 is a front view thereof; and,
FIG. 7 is a rear view thereof.

The broken lines on the flashlight head, the remaining flashlight body and tail cap represent unclaimed portions and form no part of the claimed design. The broken line adjacent to the rear of the shaded region represents an unclaimed boundary of the design.

1 Claim, 7 Drawing Sheets



(56)

References Cited

U.S. PATENT DOCUMENTS

D466,392 S *	12/2002	Halajko	D8/306	D658,326 S	4/2012	Lai et al.	
D472,339 S	3/2003	Russello et al.			D658,800 S	5/2012	Lai et al.	
D479,015 S	8/2003	Tang			D677,412 S	3/2013	Smith	
6,953,260 B1 *	10/2005	Allen	F21L 4/027 362/194	D695,435 S	12/2013	Pedersen	
D513,811 S	1/2006	Lai			D700,985 S *	3/2014	Lindsley D26/63
7,017,871 B2 *	3/2006	Chen	F04D 29/601 248/161	D702,387 S	4/2014	Pedersen	
D534,288 S	12/2006	Krieger et al.			D703,356 S	4/2014	Grandadam	
D536,464 S	2/2007	Kingston et al.			D705,468 S	5/2014	Tompkin	
D541,463 S *	4/2007	Tortel	D26/63	D707,869 S	6/2014	Wu	
D552,279 S	10/2007	Osiecki et al.			D736,983 S *	8/2015	Dal Ponte D26/71
D552,280 S	10/2007	Osiecki et al.			D737,490 S	8/2015	Tompkin	
D563,005 S	2/2008	Oles et al.			D750,303 S	2/2016	Levy et al.	
D565,223 S	3/2008	Guercio			D757,976 S	5/2016	Eustace et al.	
7,401,941 B2 *	7/2008	Teng	F21L 4/027 362/184	D757,977 S *	5/2016	Eustace D26/63
D586,026 S	2/2009	Hanson et al.			9,534,770 B2 *	1/2017	Lin F21V 15/04
D597,690 S	8/2009	Yamamoto			9,546,783 B2 *	1/2017	Lo F21S 2/005
D605,795 S	12/2009	Baker et al.			D784,599 S	4/2017	Sibitzky et al.	
D607,591 S	1/2010	Rivera et al.			9,739,462 B2	8/2017	Georgitsis et al.	
D648,478 S *	11/2011	Yu	D26/118	9,772,102 B1	9/2017	Orr	
					D808,569 S *	1/2018	Ban D26/85
					D810,980 S *	2/2018	Rosandick D26/44
					2010/0309656 A1 *	12/2010	O'Sullivan F21L 4/045 362/197
					2011/0149562 A1	6/2011	Spartano et al.	

* cited by examiner

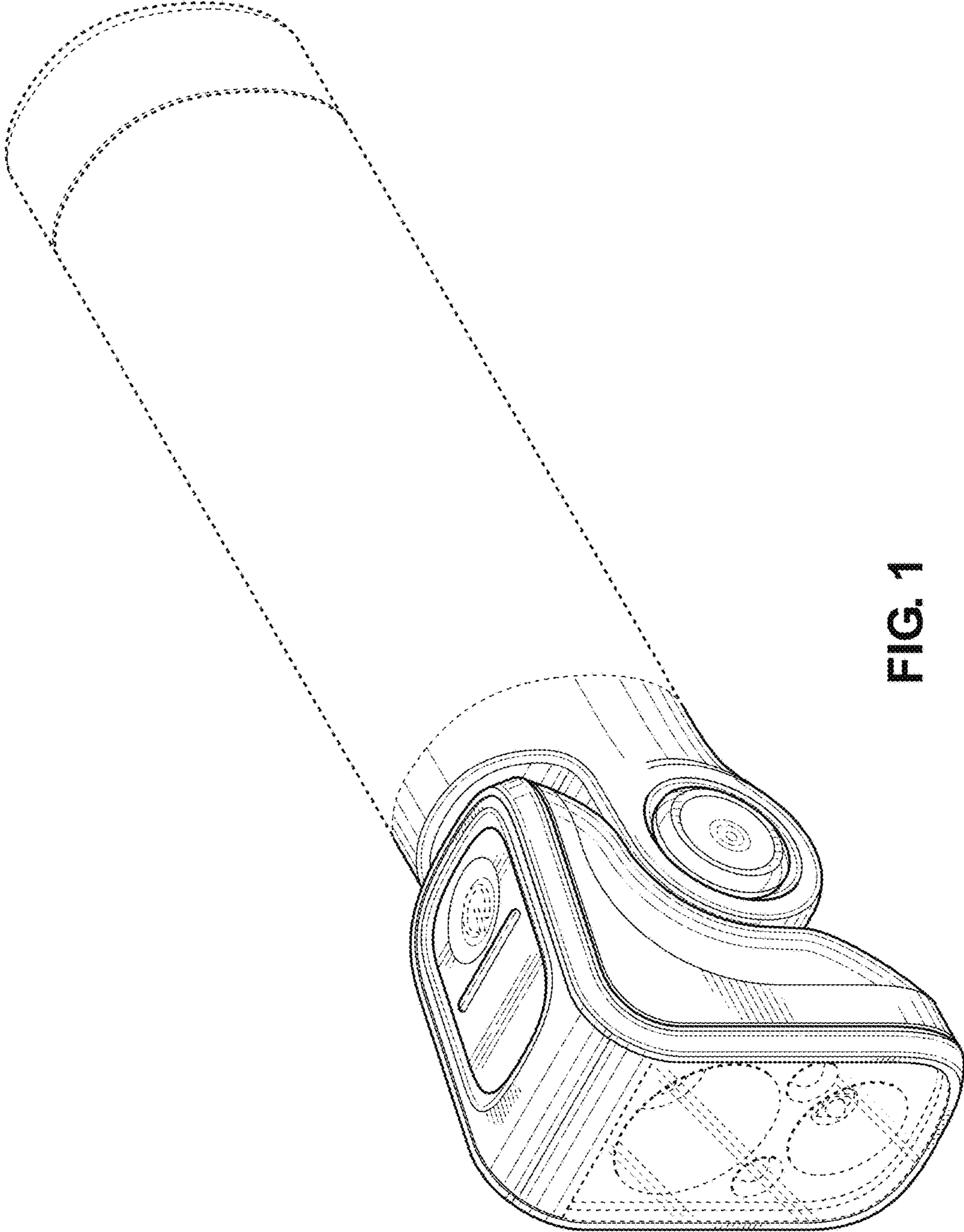


FIG. 1

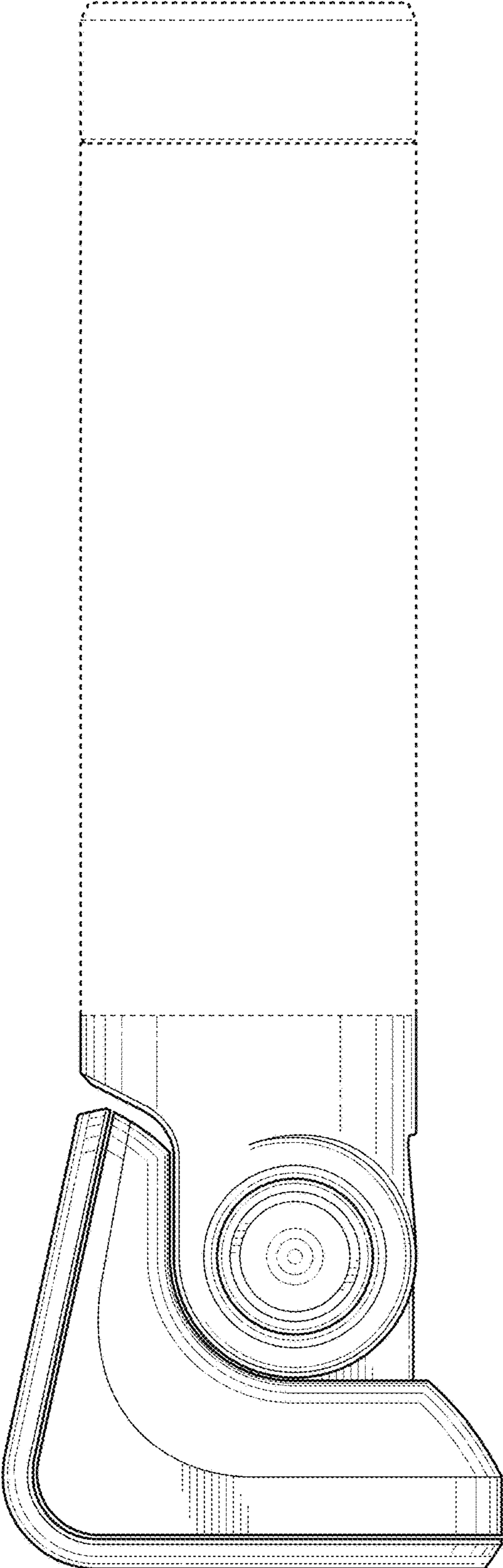


FIG. 2

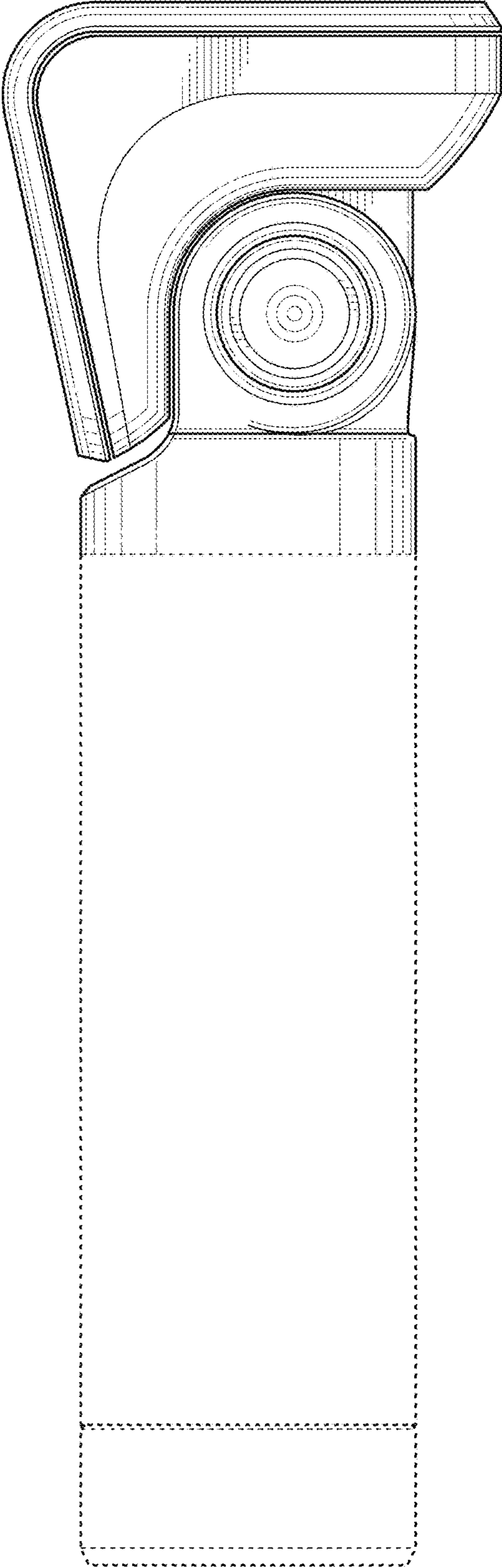


FIG. 3

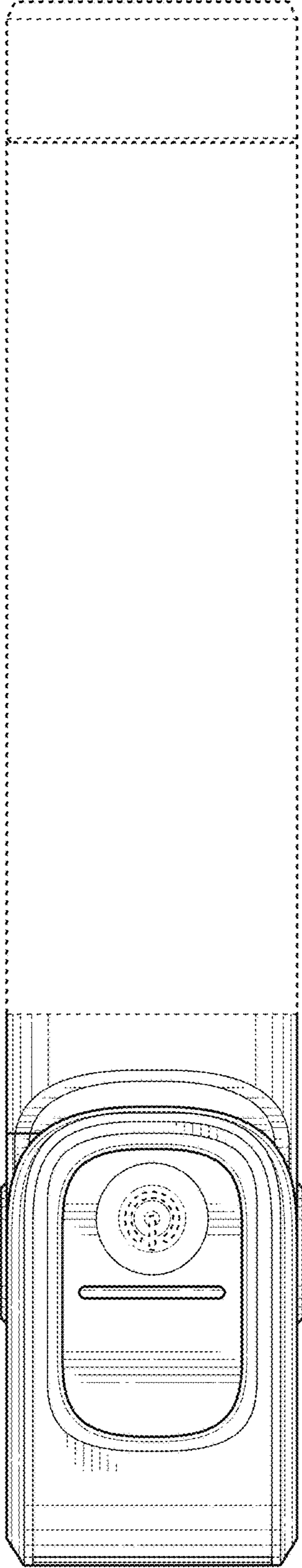


FIG. 4

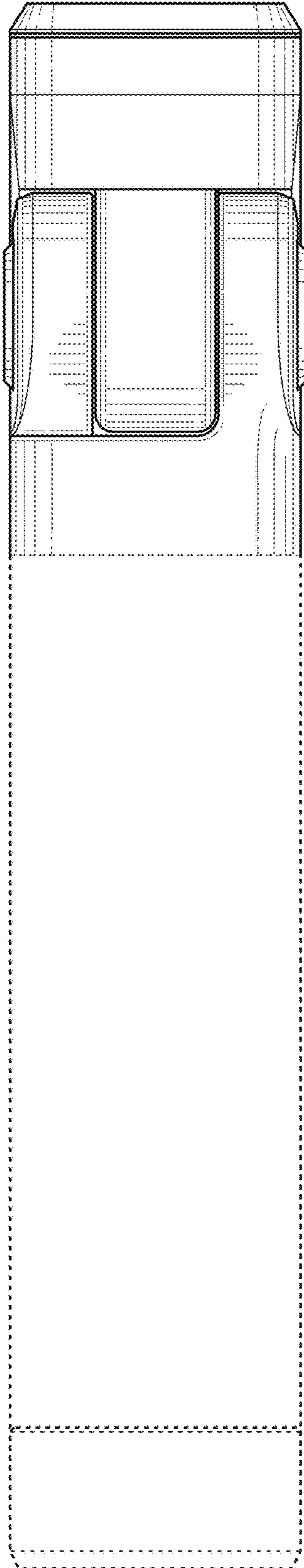


FIG. 5

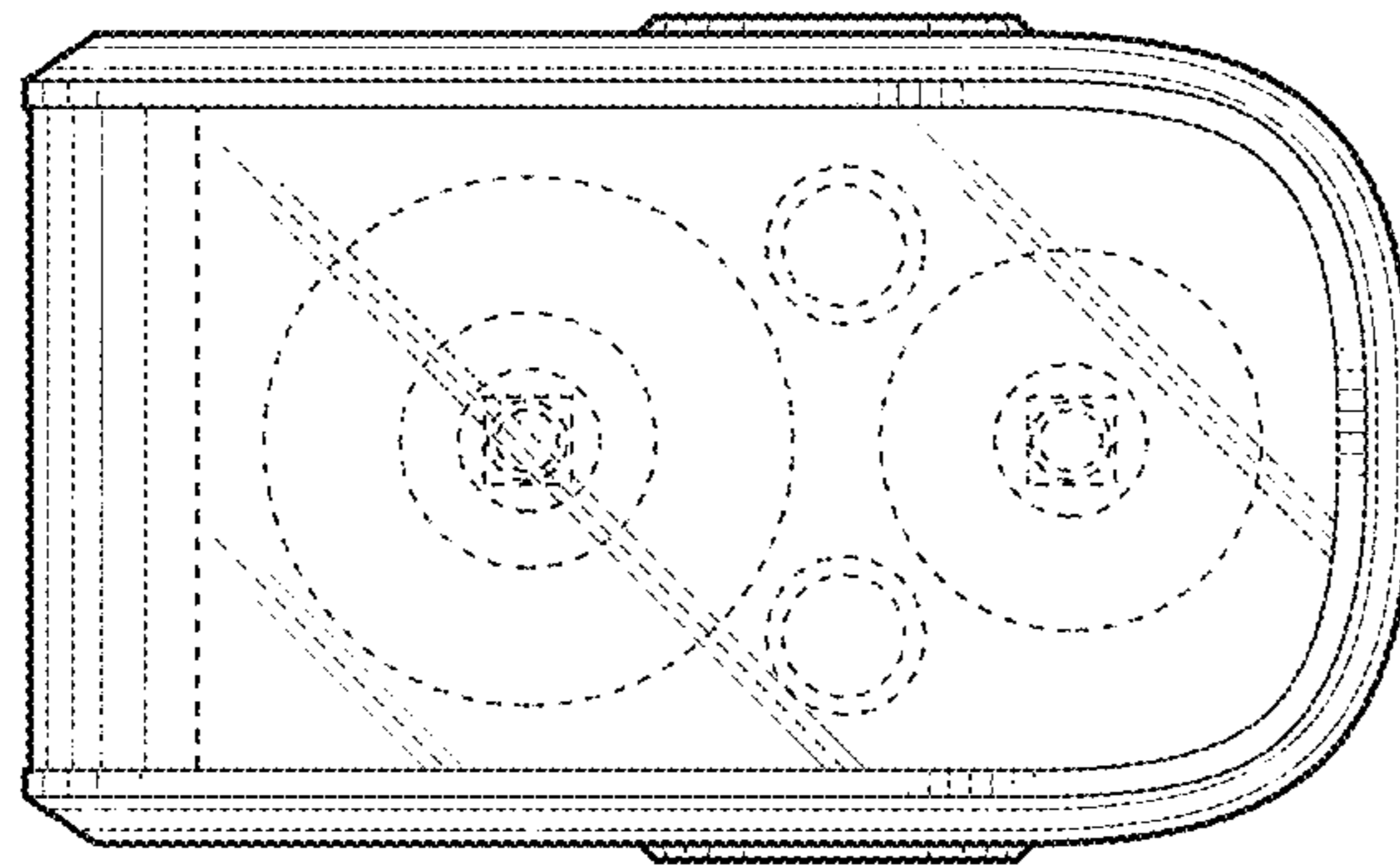


FIG. 6

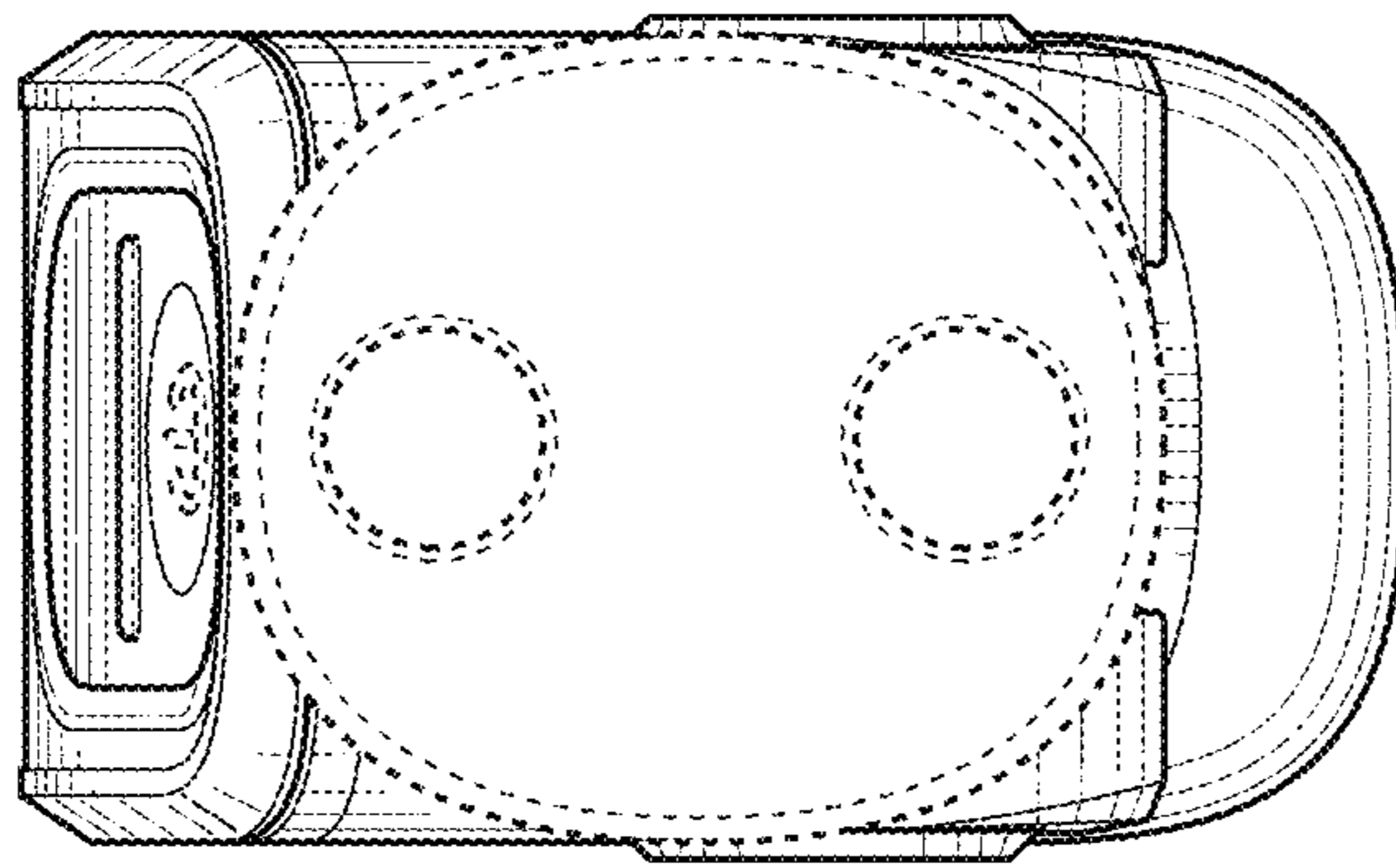


FIG. 7