



US00D825802S

(12) **United States Design Patent**
Chi

(10) **Patent No.:** **US D825,802 S**

(45) **Date of Patent:** **** Aug. 14, 2018**

- (54) **FRONT TURN SIGNAL FOR A VEHICLE**
- (71) Applicant: **Razer Auto, Inc.**, Upland, CA (US)
- (72) Inventor: **Samuel Chi**, Upland, CA (US)
- (73) Assignee: **Razer Auto, Inc.**, Upland, CA (US)
- (**) Term: **15 Years**
- (21) Appl. No.: **29/632,887**
- (22) Filed: **Jan. 10, 2018**

- D745,986 S 12/2015 Gorsten Schuenemann
- D746,495 S 12/2015 Gorsten Schuenemann
- D747,017 S 1/2016 Hanson
- D747,512 S 1/2016 Lai
- D747,517 S 1/2016 Lai
- D747,518 S 1/2016 Lai
- D747,519 S 1/2016 Kim
- D747,820 S 1/2016 Sato
- D750,815 S 3/2016 Platto
- D750,816 S 3/2016 Platto
- D750,817 S 3/2016 Lin
- D750,818 S 3/2016 Lin
- D750,819 S 3/2016 Schneider
- D751,737 S 3/2016 Lai
- D751,740 S 3/2016 Wolff
- D752,254 S 3/2016 Futschik
- D752,255 S 3/2016 Futschik
- D752,782 S 3/2016 Moessner
- D753,323 S 4/2016 George
- D754,375 S 4/2016 Vena

Related U.S. Application Data

- (62) Division of application No. 29/578,149, filed on Sep. 19, 2016, now Pat. No. Des. 815,325.
- (51) **LOC (11) Cl.** **26-06**
- (52) **U.S. Cl.**
USPC **D26/31**
- (58) **Field of Classification Search**
USPC D26/28-36, 31; 362/80-83, 267-269,
362/459-468, 475-478, 485-487
CPC F21S 48/00; F21S 48/10; F21S 48/115;
F21S 48/225; F21S 48/1233; F21S
48/1266; F21S 48/1388; F21S 48/2268;
F21V 21/04

See application file for complete search history.

(56) **References Cited**

U.S. PATENT DOCUMENTS

- D490,172 S * 5/2004 Yamamoto D26/28
- D521,162 S * 5/2006 Campagna D26/28
- D532,537 S 11/2006 Shiu
- D570,011 S * 5/2008 Huang D26/28
- D638,963 S * 5/2011 Huang D26/28
- D745,717 S 12/2015 Wu
- D745,723 S 12/2015 Yoshida

* cited by examiner

Primary Examiner — Marcus Jackson

(74) *Attorney, Agent, or Firm* — Eric Kelly

(57) **CLAIM**

What is claimed is an ornamental design for a front turn signal for a vehicle, as shown and described herein.

DESCRIPTION

FIG. 1 illustrates a perspective view of a new and ornamental front turn signal for a vehicle, according to one embodiment;

FIG. 2 illustrates a front view thereof;

FIG. 3 illustrates a back view thereof;

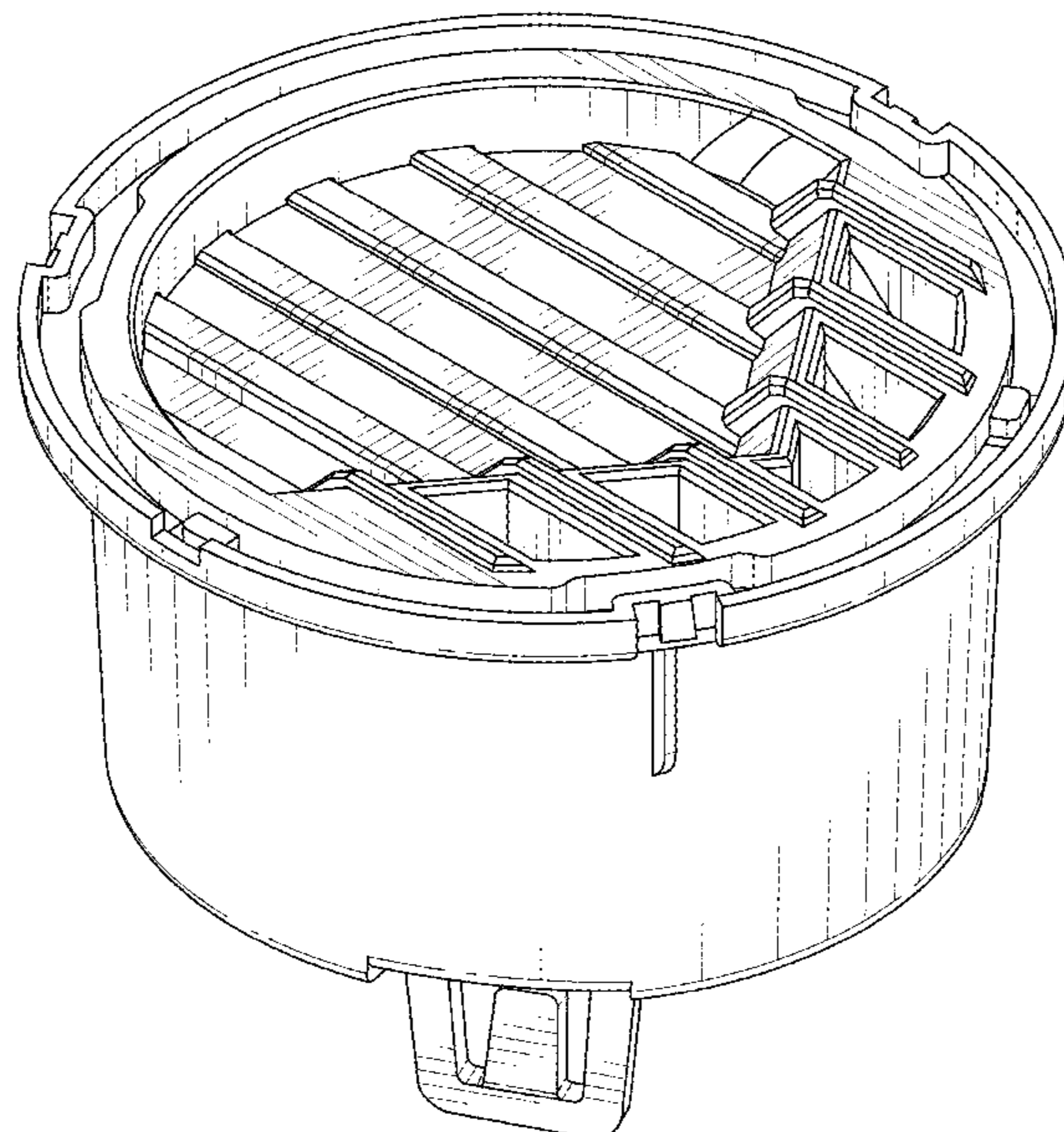
FIG. 4 illustrates a left-side view thereof;

FIG. 5 illustrates a right-side view thereof;

FIG. 6 illustrates a top view thereof; and,

FIG. 7 illustrates a bottom view thereof.

1 Claim, 7 Drawing Sheets



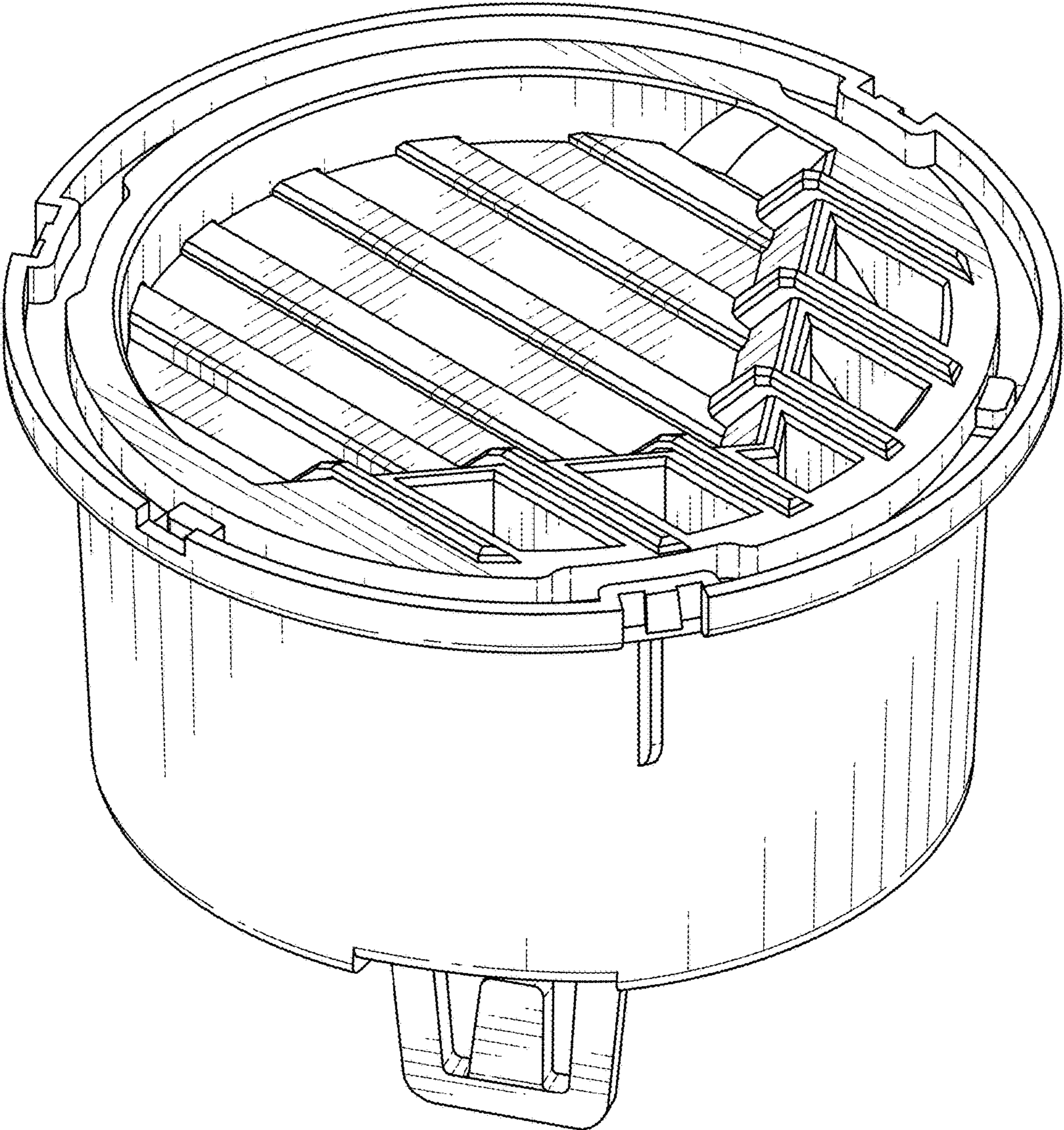


FIG. 1

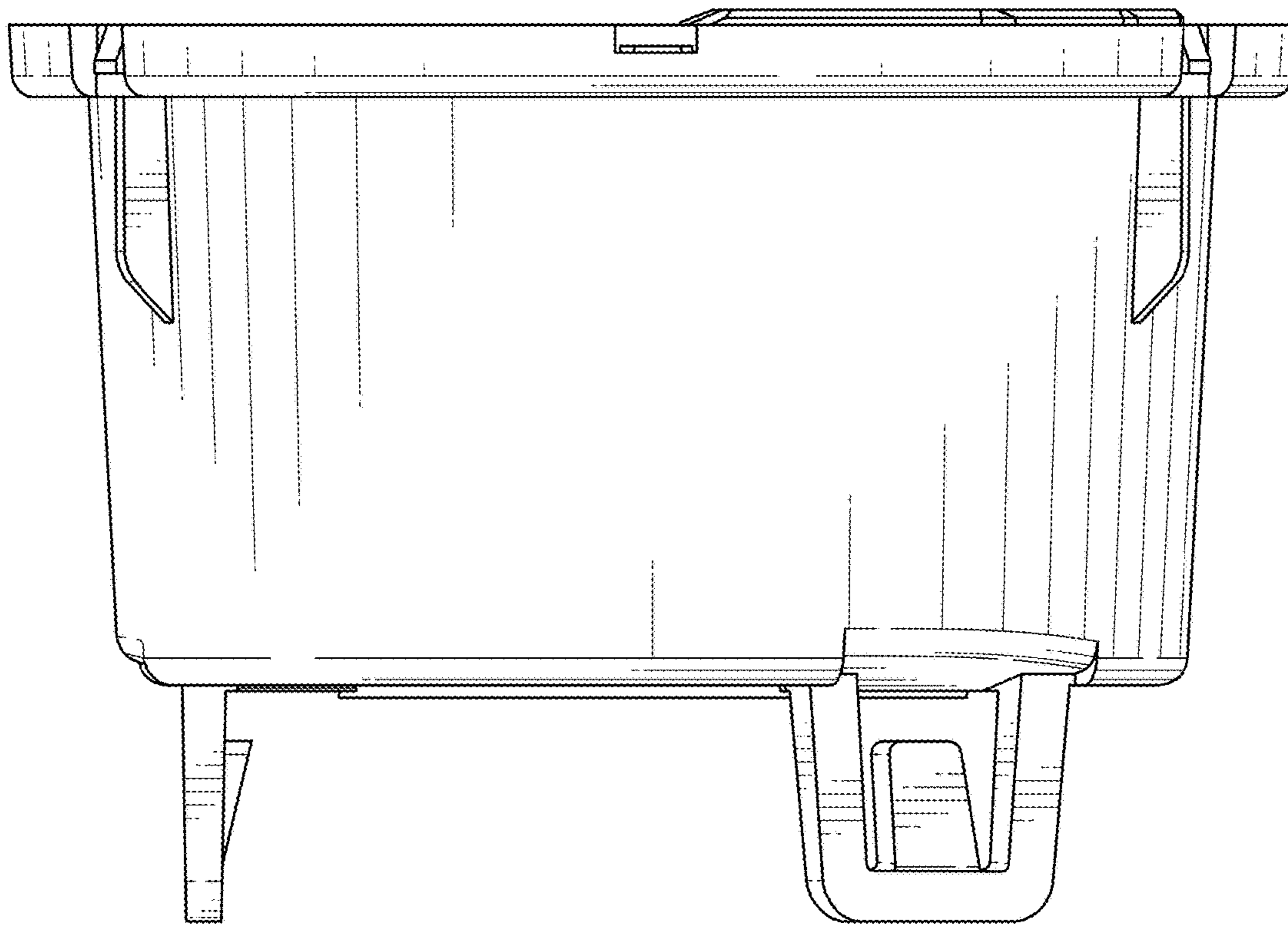


FIG. 2

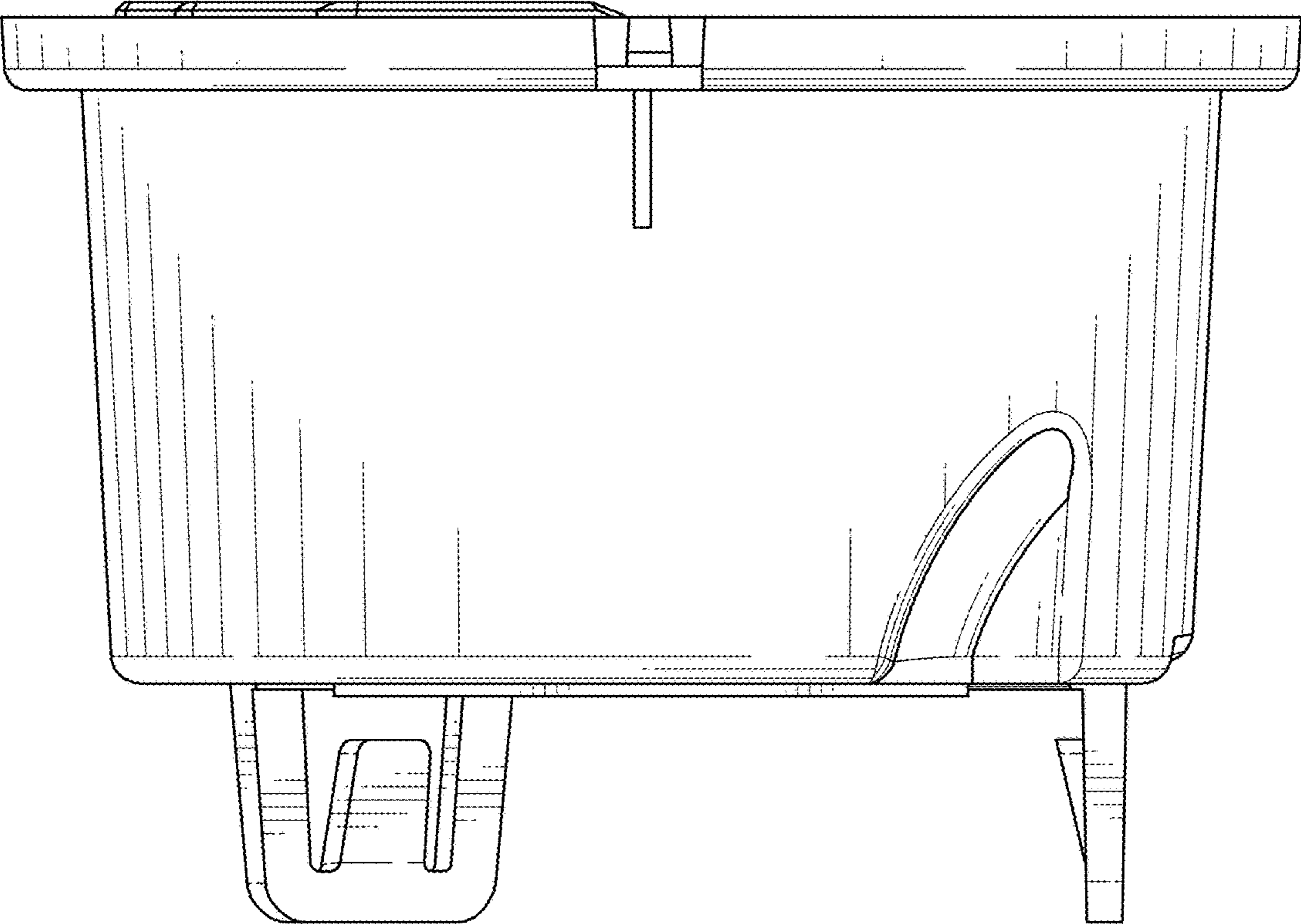


FIG. 3

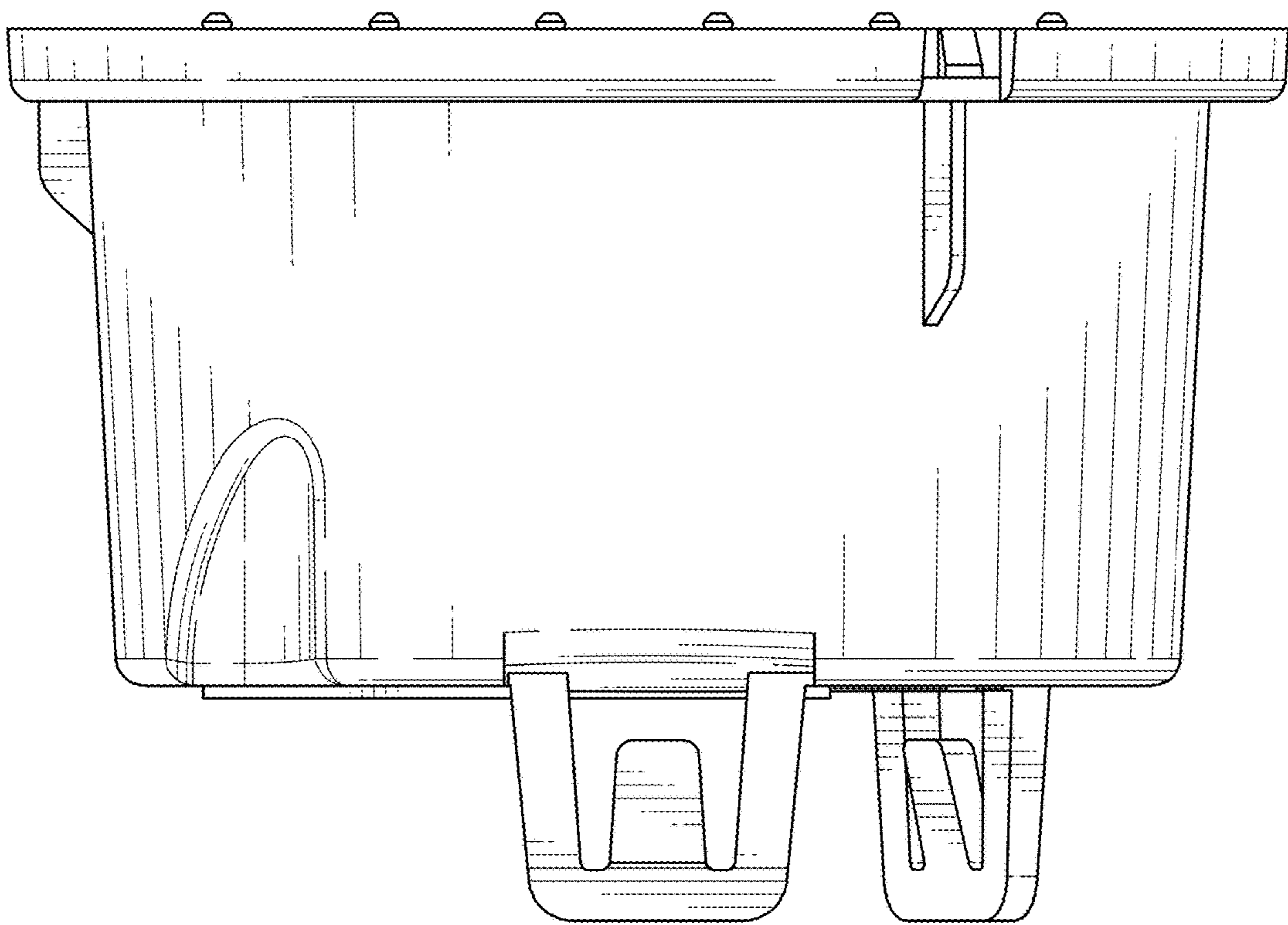


FIG. 4

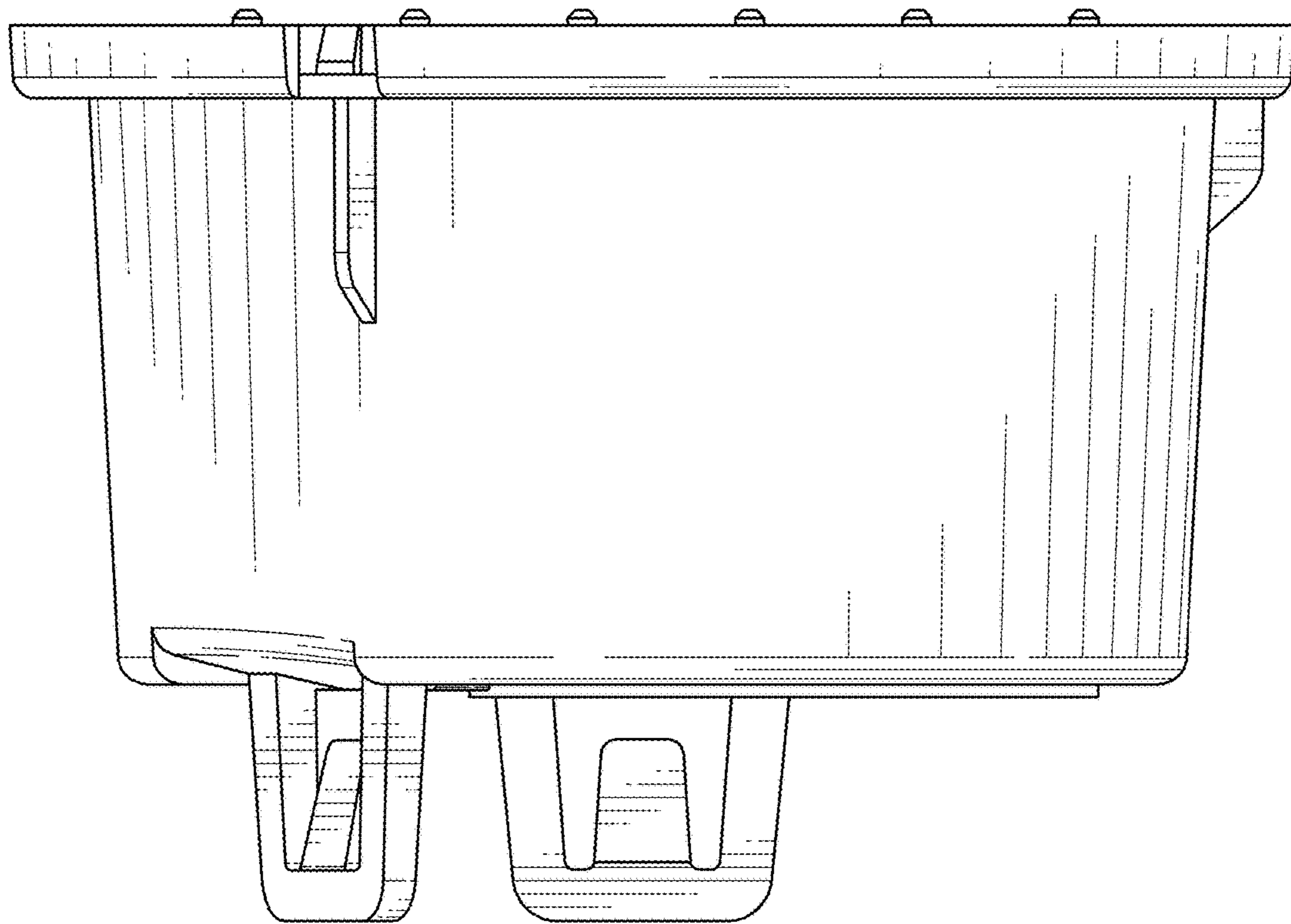


FIG. 5

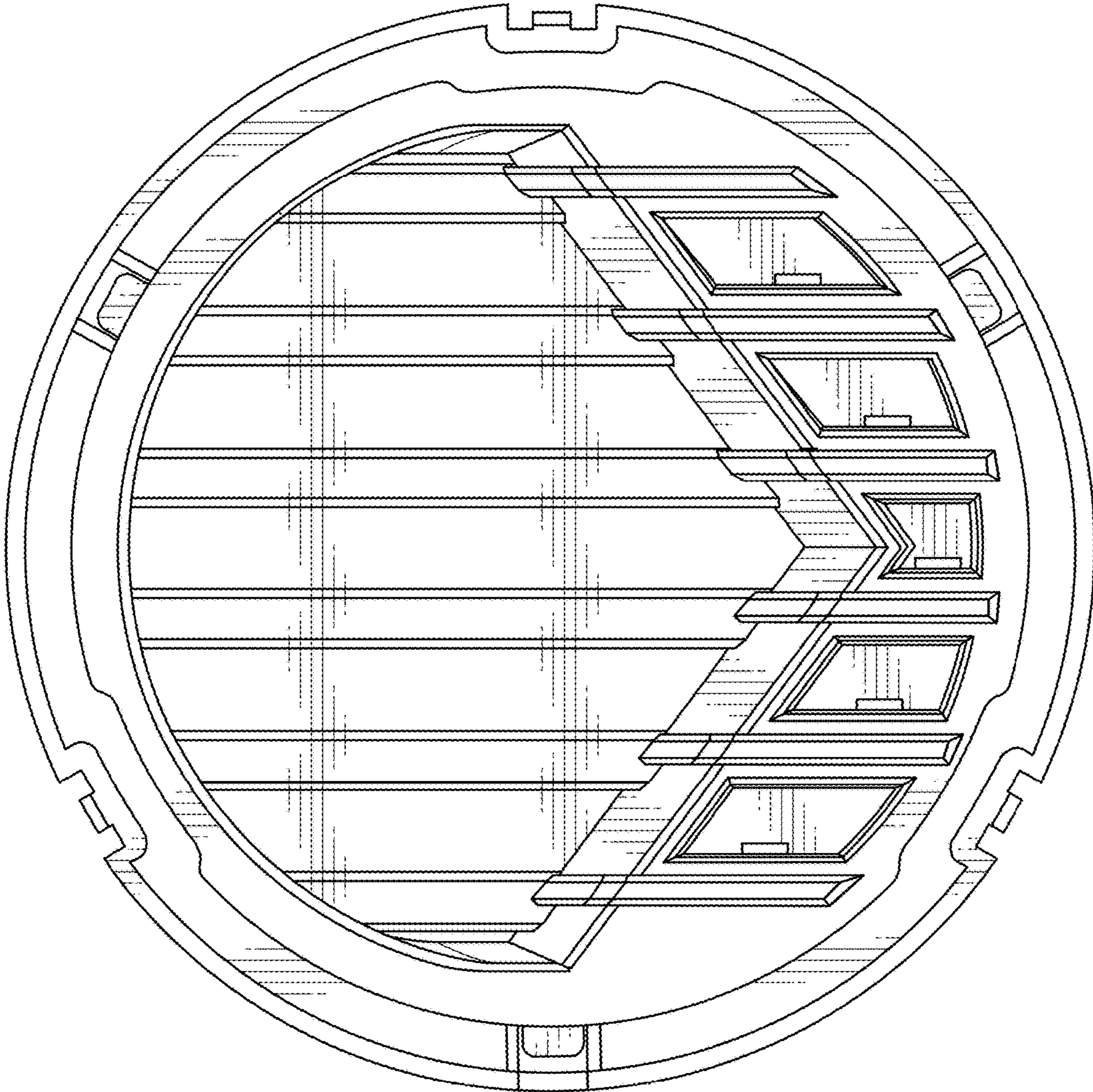


FIG. 6

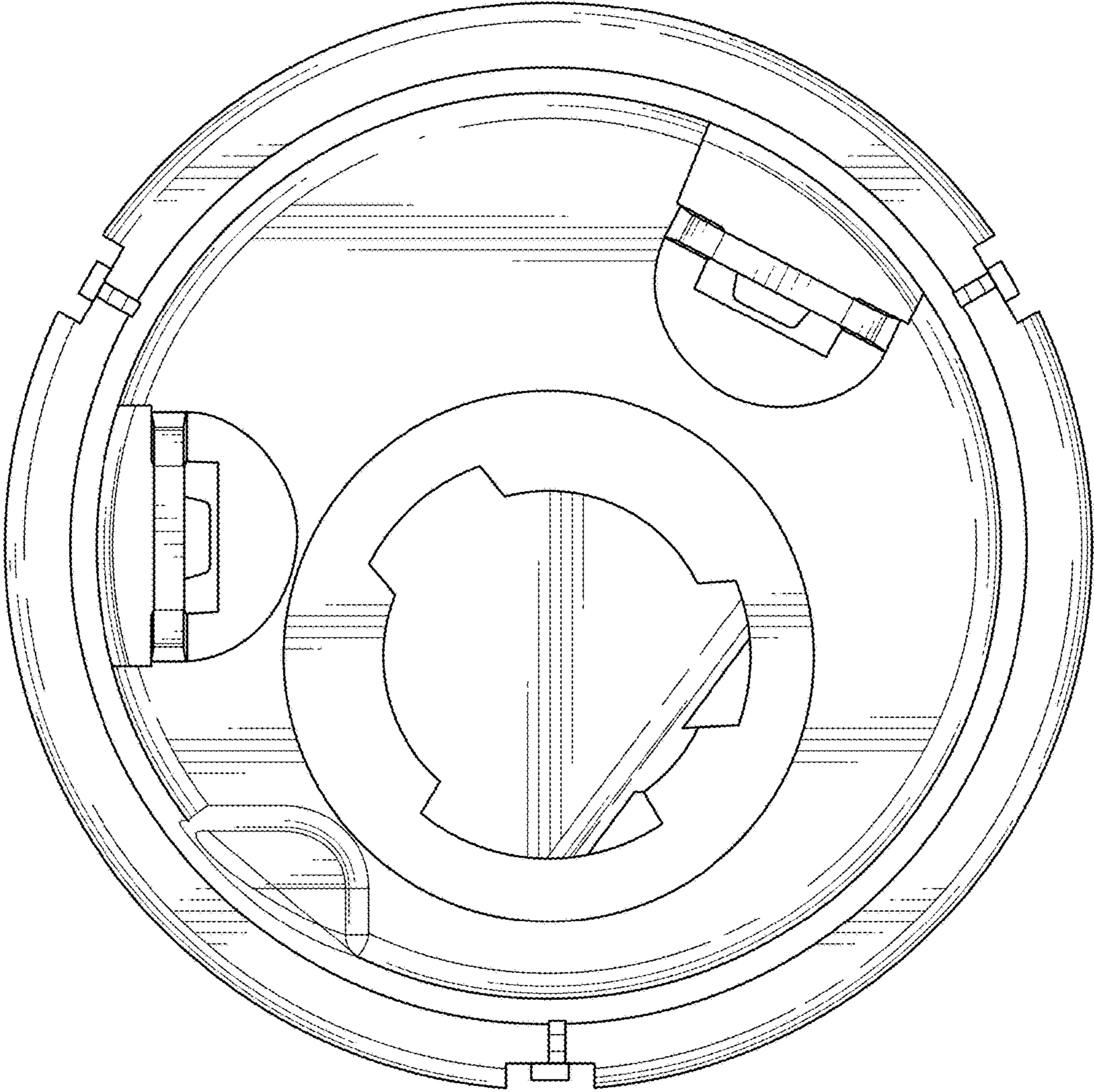


FIG. 7