



US00D825801S

(12) **United States Design Patent** (10) **Patent No.:** **US D825,801 S**
Cunningham, III et al. (45) **Date of Patent:** **** Aug. 14, 2018**

(54) **VEHICLE TAILLIGHT INDICATOR**

(56) **References Cited**

(71) Applicants: **Frazier Cunningham, III**, Belleville, MI (US); **Cindita Cunningham**, Belleville, MI (US)

U.S. PATENT DOCUMENTS

D483,891 S	*	12/2003	Suberi	D26/31
D529,642 S	*	10/2006	Green	D26/31
D590,969 S	*	4/2009	Mulla	D26/31
D634,458 S	*	3/2011	Gray, Jr.	D26/31

(72) Inventors: **Frazier Cunningham, III**, Belleville, MI (US); **Cindita Cunningham**, Belleville, MI (US)

* cited by examiner

(**) Term: **15 Years**

Primary Examiner — Marcus Jackson

(21) Appl. No.: **29/602,852**

(74) *Attorney, Agent, or Firm* — Vincent Re PLLC

(22) Filed: **May 4, 2017**

(57) **CLAIM**

The ornamental design for a vehicle taillight indicator, as shown and described.

Related U.S. Application Data

DESCRIPTION

(63) Continuation-in-part of application No. 15/096,776, filed on Apr. 12, 2016, now Pat. No. 9,809,157, which is a continuation of application No. 14/553,849, filed on Nov. 25, 2014.

FIG. 1 illustrates a vehicle taillight indicator in a front view, in accordance with the present disclosure;

(51) **LOC (11) Cl.** **26-06**

(52) **U.S. Cl.**

USPC **D26/31**

(58) **Field of Classification Search**

USPC D26/28-36; 362/80-83, 267-269, 362/459-468, 475-478, 485-487

CPC F21S 48/00; F21S 438/10; F21S 48/115;

F21S 48/225; F21S 48/1233; F21S

48/1266; F21S 48/1388; F21S 48/2268;

F21V 21/04

FIG. 2 illustrates the vehicle taillight indicator of FIG. 1 in a first side view, in accordance with the present disclosure;

FIG. 3 illustrates the vehicle taillight indicator of FIG. 1 in a second side view, in accordance with the present disclosure;

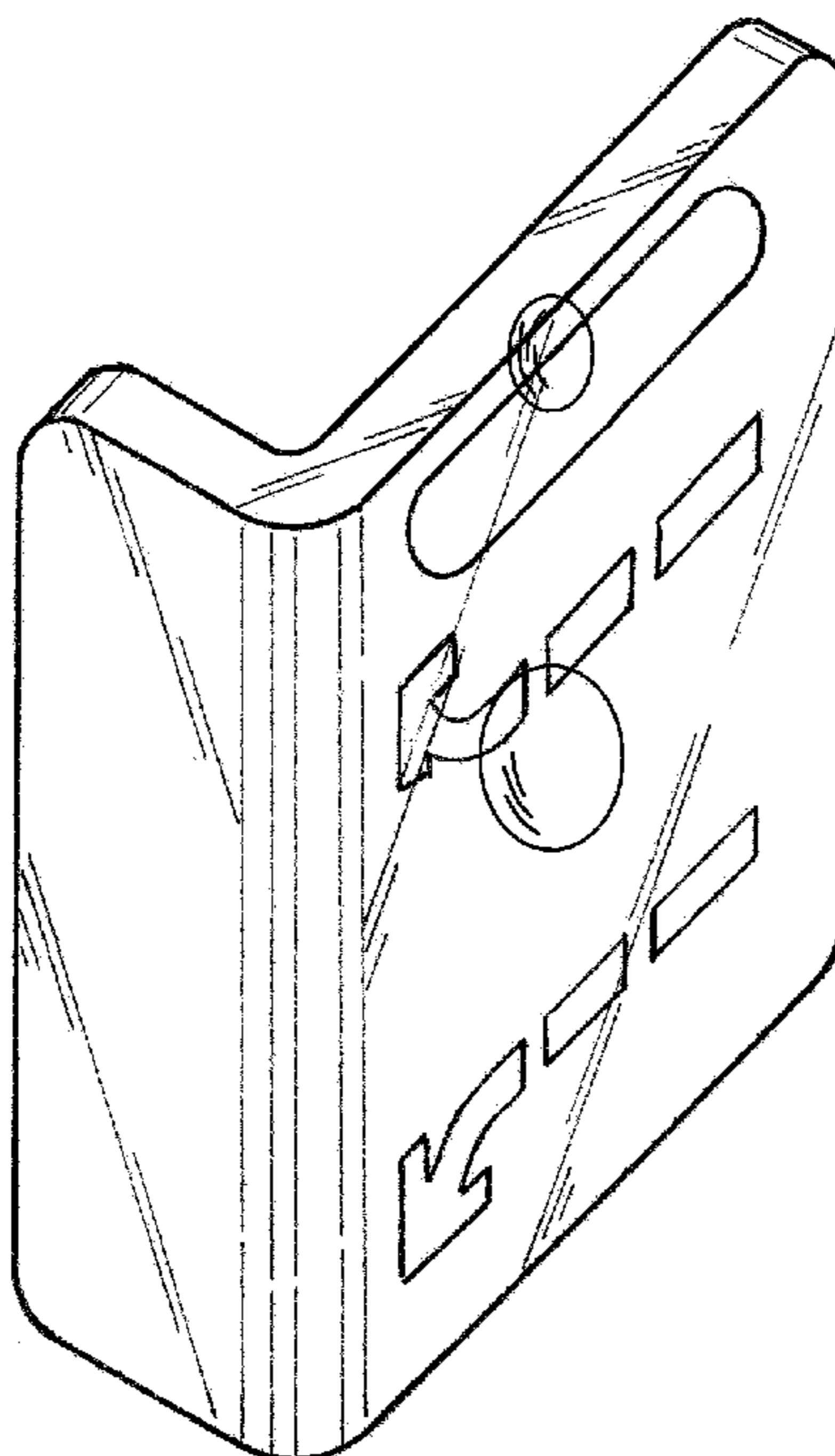
FIG. 4 illustrates the vehicle taillight indicator of FIG. 1 in a top down view, in accordance with the present disclosure;

FIG. 5 illustrates the vehicle taillight indicator of FIG. 1 in a perspective view, in accordance with the present disclosure; and,

FIG. 6 illustrates the vehicle taillight indicator of FIG. 1 in a rear view, in accordance with the present disclosure.

See application file for complete search history.

1 Claim, 6 Drawing Sheets



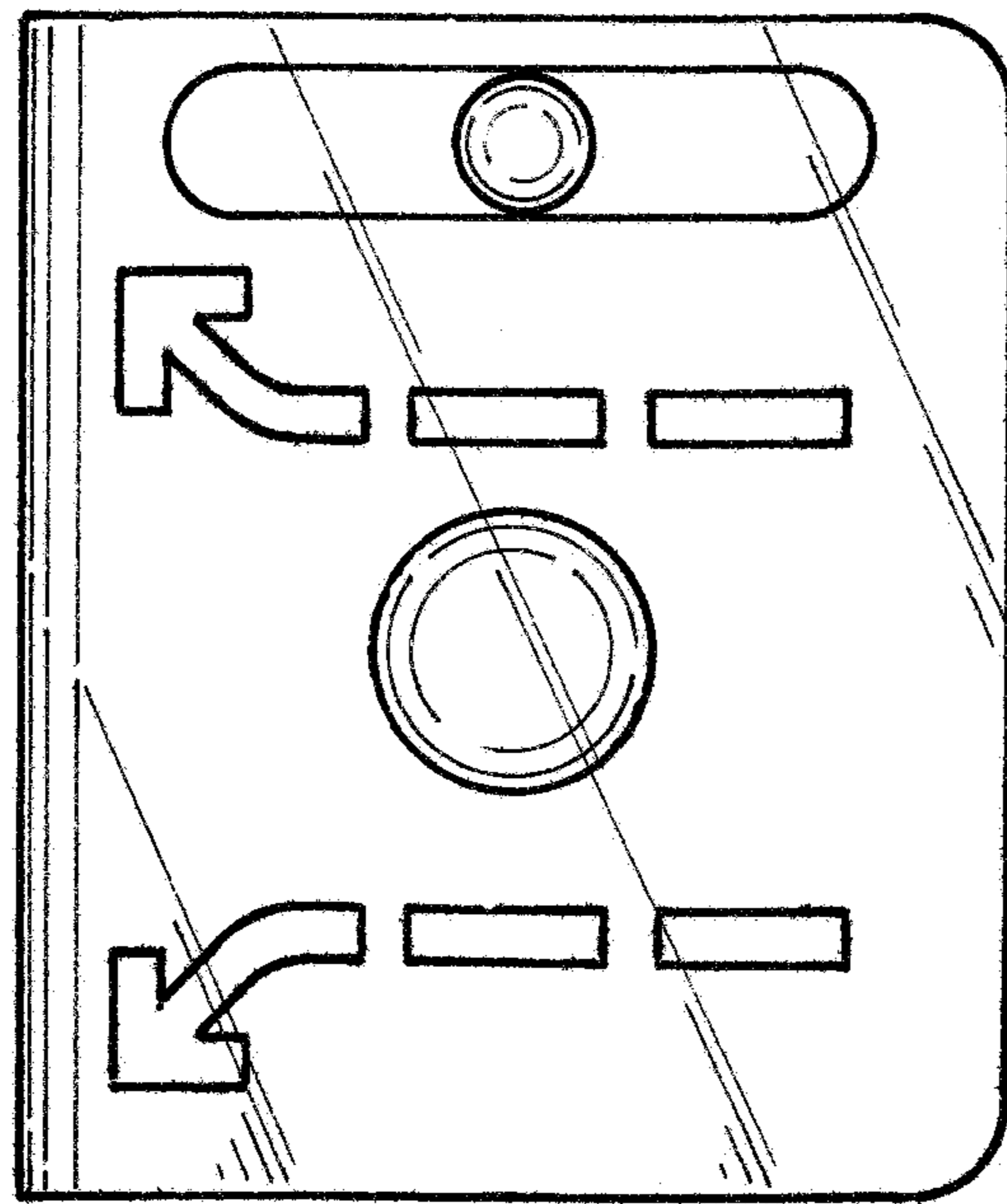


FIG.1

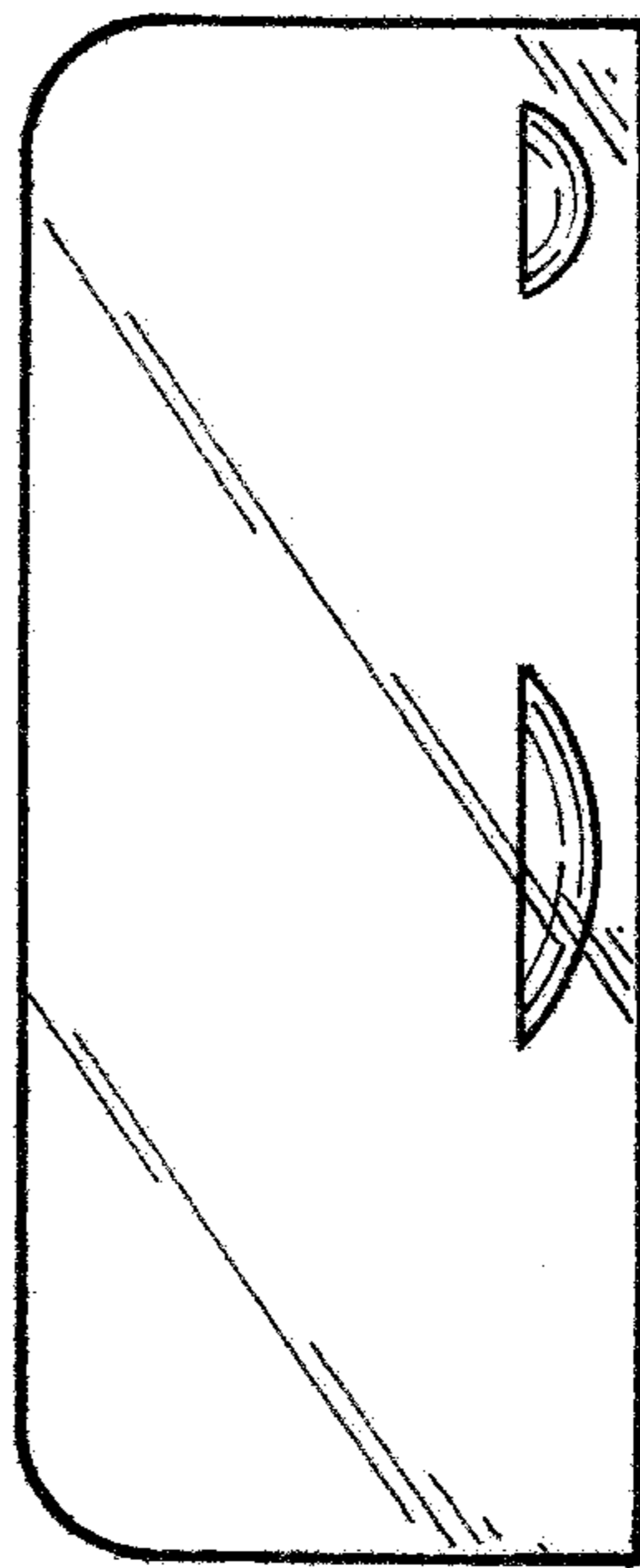


FIG. 2

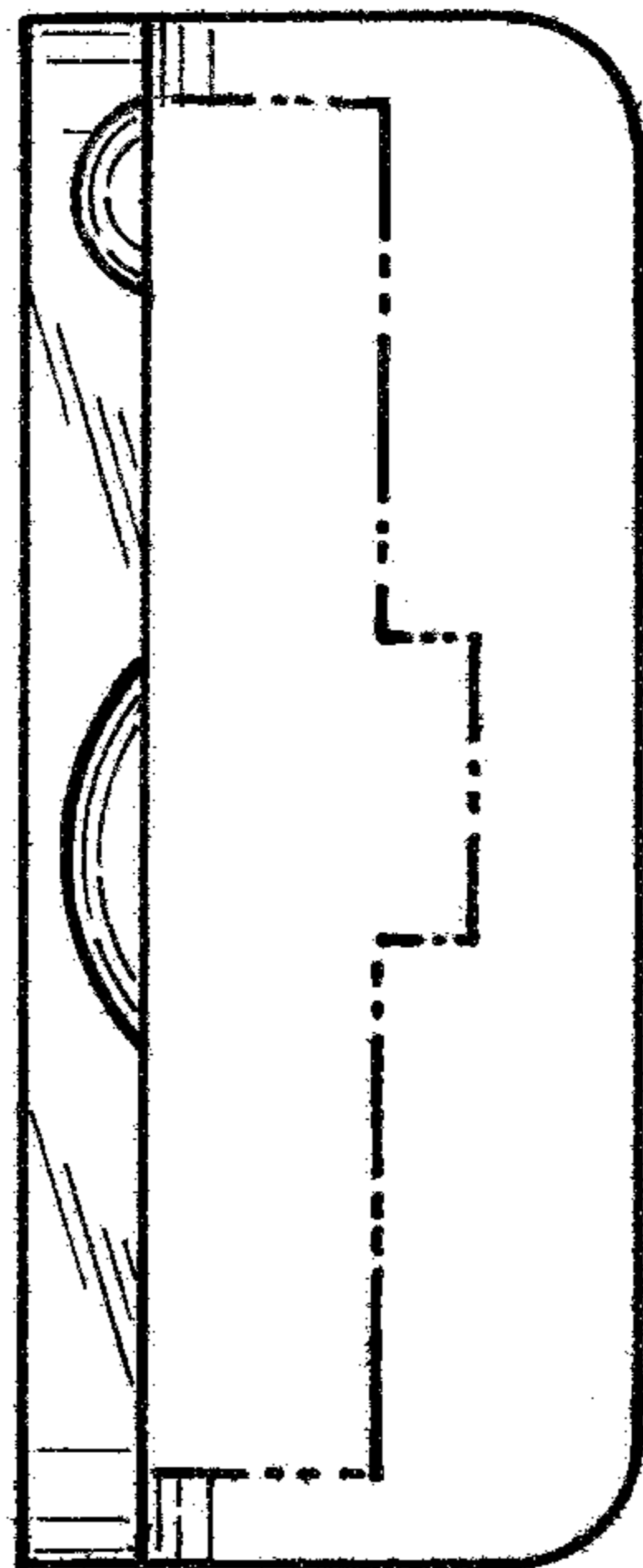


FIG.3

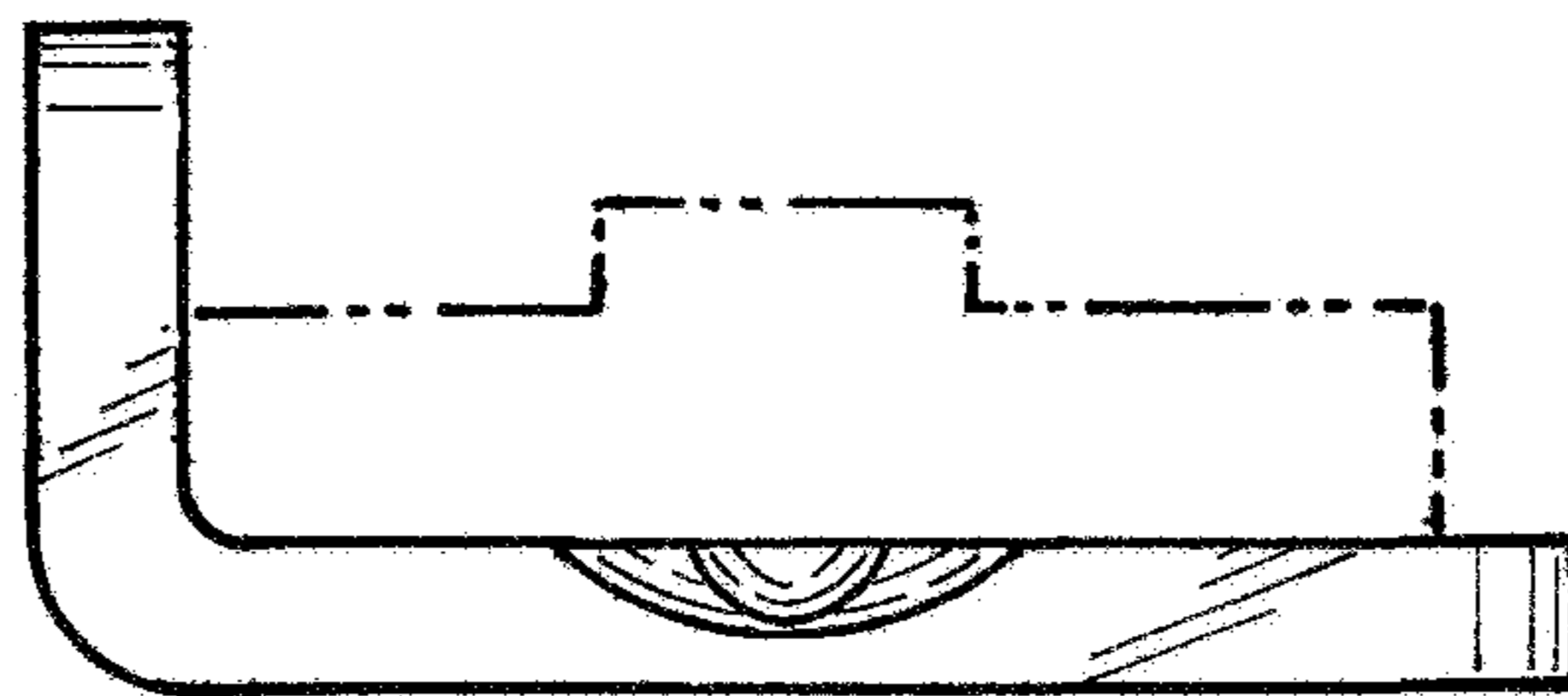


FIG.4

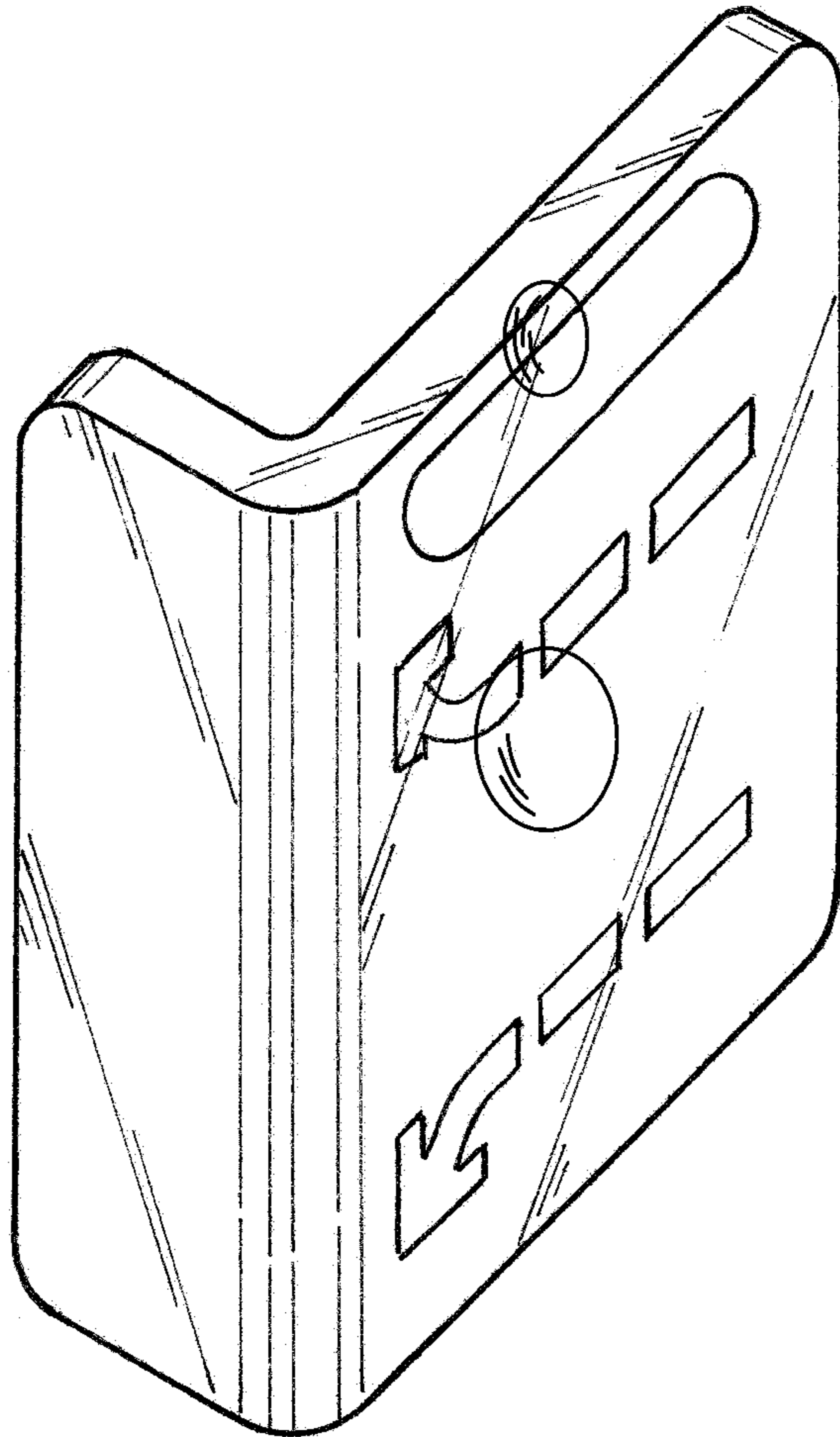


FIG.5

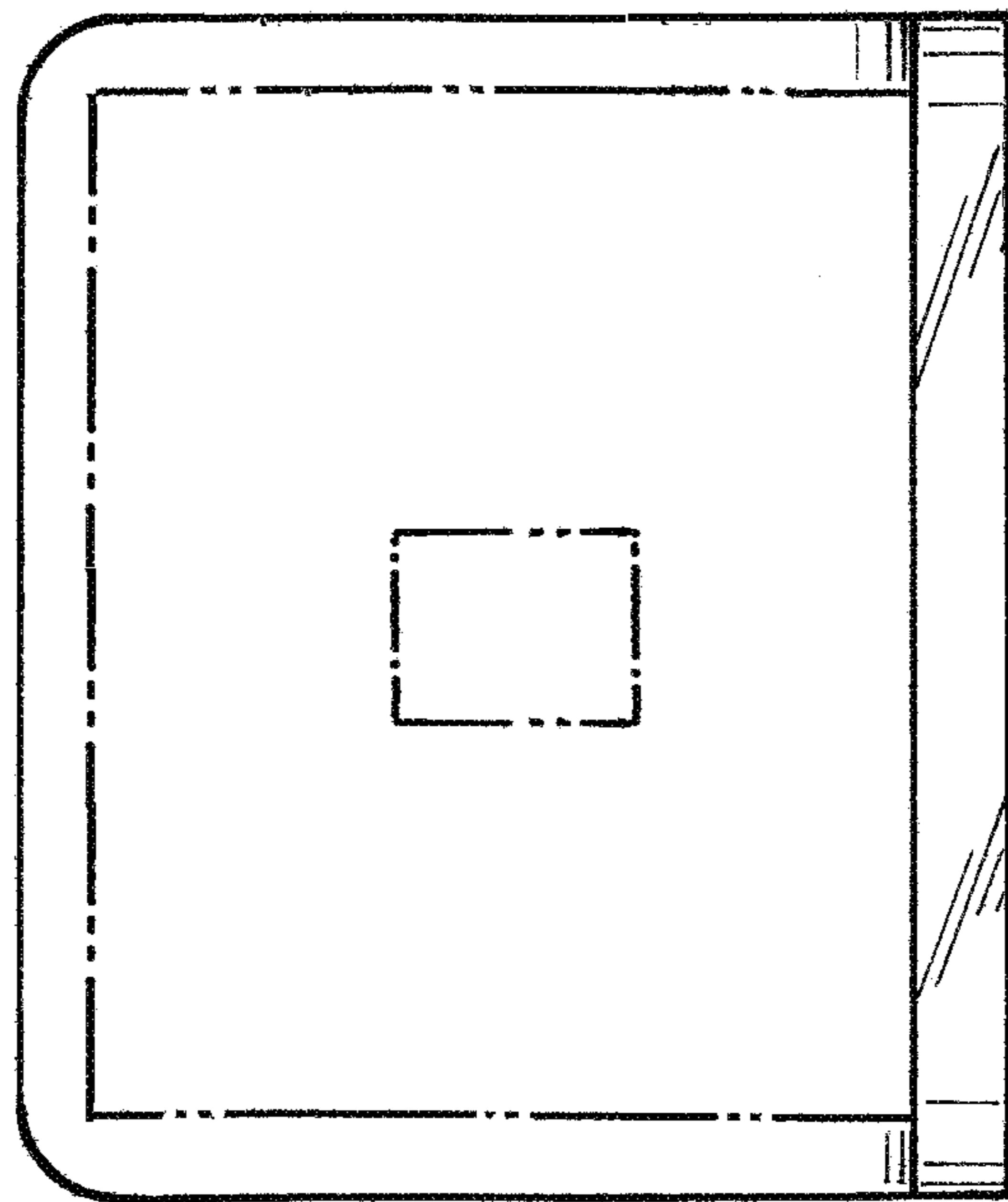


FIG. 6