



US00D825797S

(12) **United States Design Patent** (10) **Patent No.:** **US D825,797 S**
Suwa et al. (45) **Date of Patent:** **** Aug. 14, 2018**

(54) **HEADLIGHTS LENSES FOR VEHICLES**

(56) **References Cited**

(71) Applicant: **Mitsubishi Electric Corporation**,
Tokyo (JP)

(72) Inventors: **Masashige Suwa**, Tokyo (JP); **Ritsuya Oshima**, Tokyo (JP); **Kuniko Kojima**, Tokyo (JP)

(73) Assignee: **Mitsubishi Electric Corporation**,
Tokyo (JP)

(**) Term: **15 Years**

(21) Appl. No.: **29/604,320**

(22) Filed: **May 17, 2017**

U.S. PATENT DOCUMENTS

D490,172 S * 5/2004 Yamamoto D26/28
D521,162 S * 5/2006 Campagna D26/28
D564,683 S 3/2008 Roach et al.
D570,011 S 5/2008 Huang
D638,963 S 5/2011 Huang

* cited by examiner

Primary Examiner — Marcus Jackson

(74) *Attorney, Agent, or Firm* — Studebaker & Brackett PC

Related U.S. Application Data

(62) Division of application No. 29/555,869, filed on Feb. 25, 2016, now Pat. No. Des. 796,089.

Foreign Application Priority Data

Aug. 27, 2015 (JP) 2015-018794
Aug. 27, 2015 (JP) 2015-018795
Aug. 27, 2015 (JP) 2015-018796
Aug. 27, 2015 (JP) 2015-018797

(51) **LOC (11) Cl.** **26-06**

(52) **U.S. Cl.**
USPC **D26/28**

(58) **Field of Classification Search**
USPC D26/28-36; 362/80-83, 267-269,
362/459-468, 475-478, 485-487
CPC F21S 48/00; F21S 48/10; F21S 48/115;
F21S 48/1233; F21S 48/1266; F21S
48/1388; F21S 48/2268; F21V 21/04
See application file for complete search history.

(57) **CLAIM**

The ornamental design for headlights lenses for vehicles, as shown and described.

DESCRIPTION

FIG. 1 is a front, top and right side perspective view of headlights lenses for vehicles, showing our new design;
FIG. 2 is a rear, bottom and left side perspective view thereof;
FIG. 3 is a front view thereof;
FIG. 4 is a rear view thereof;
FIG. 5 is a right side view thereof;
FIG. 6 is a left side view thereof;
FIG. 7 is a top view thereof; and,
FIG. 8 is a bottom view thereof.

The part indicated by the solid line is a part intended for design registration as a partial design.
Dotted and dashed lines represent boundaries between the portions intended for registration as a partial design and the other portions.

1 Claim, 8 Drawing Sheets

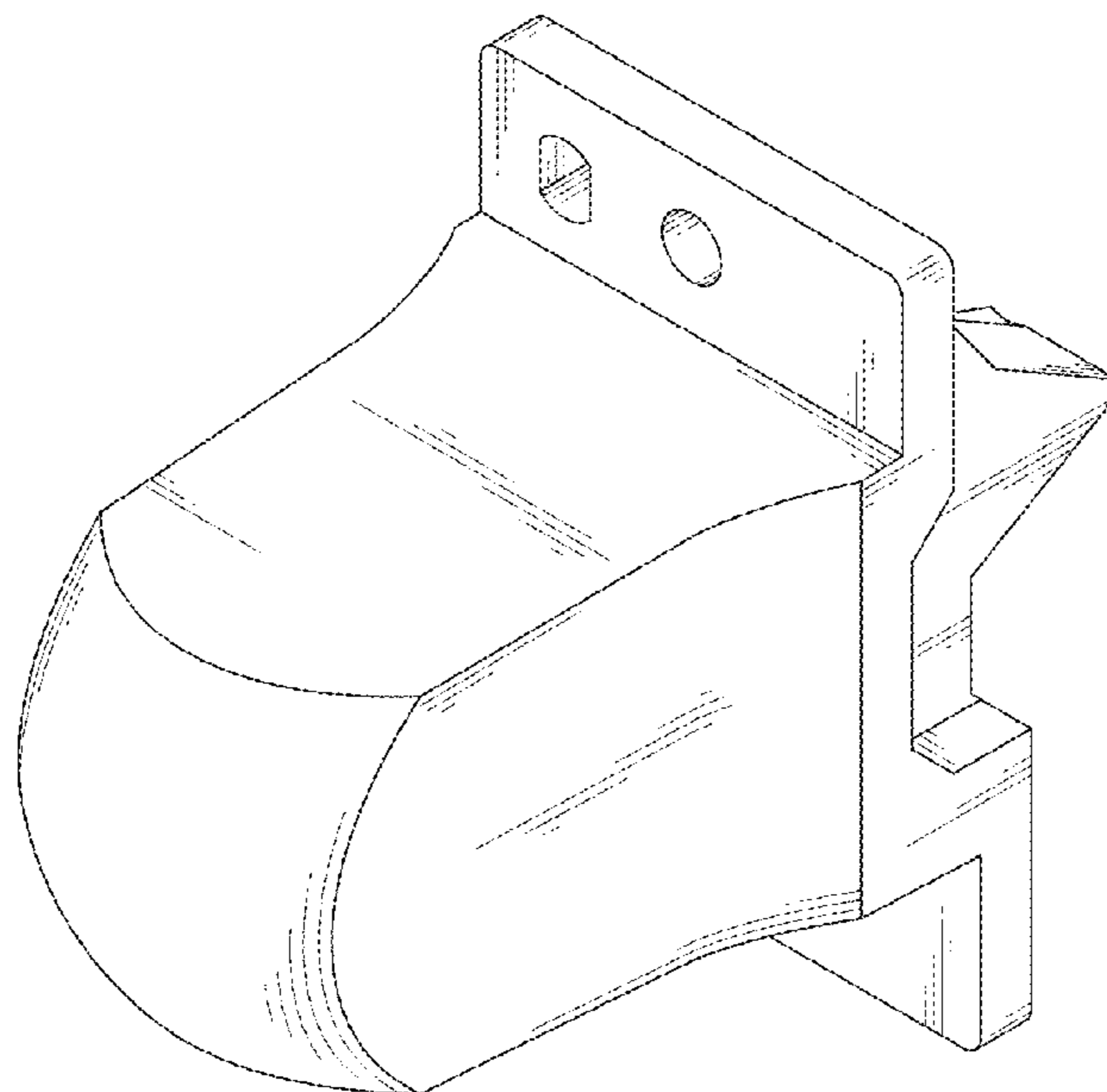


Fig. 1

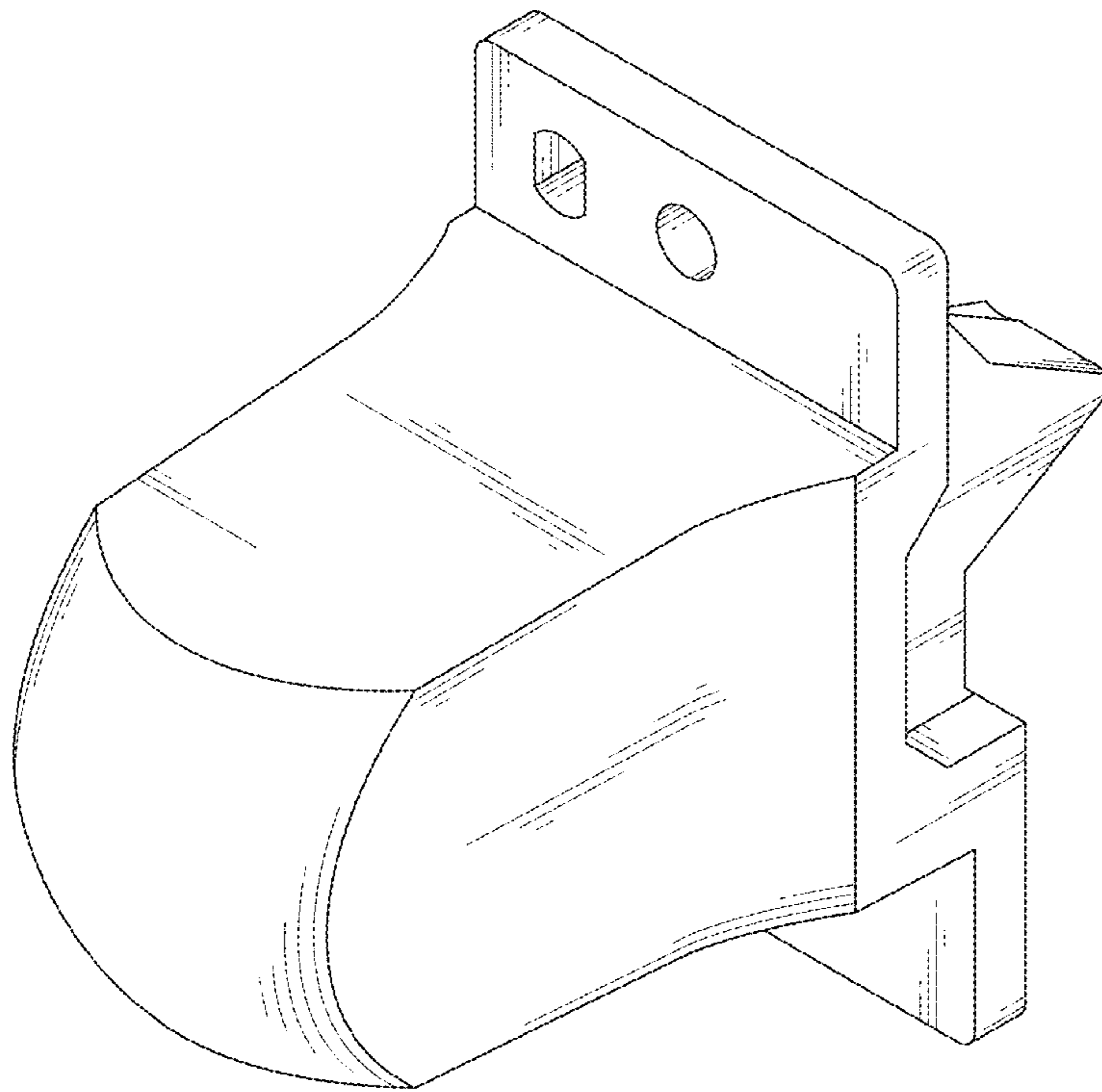


Fig.2

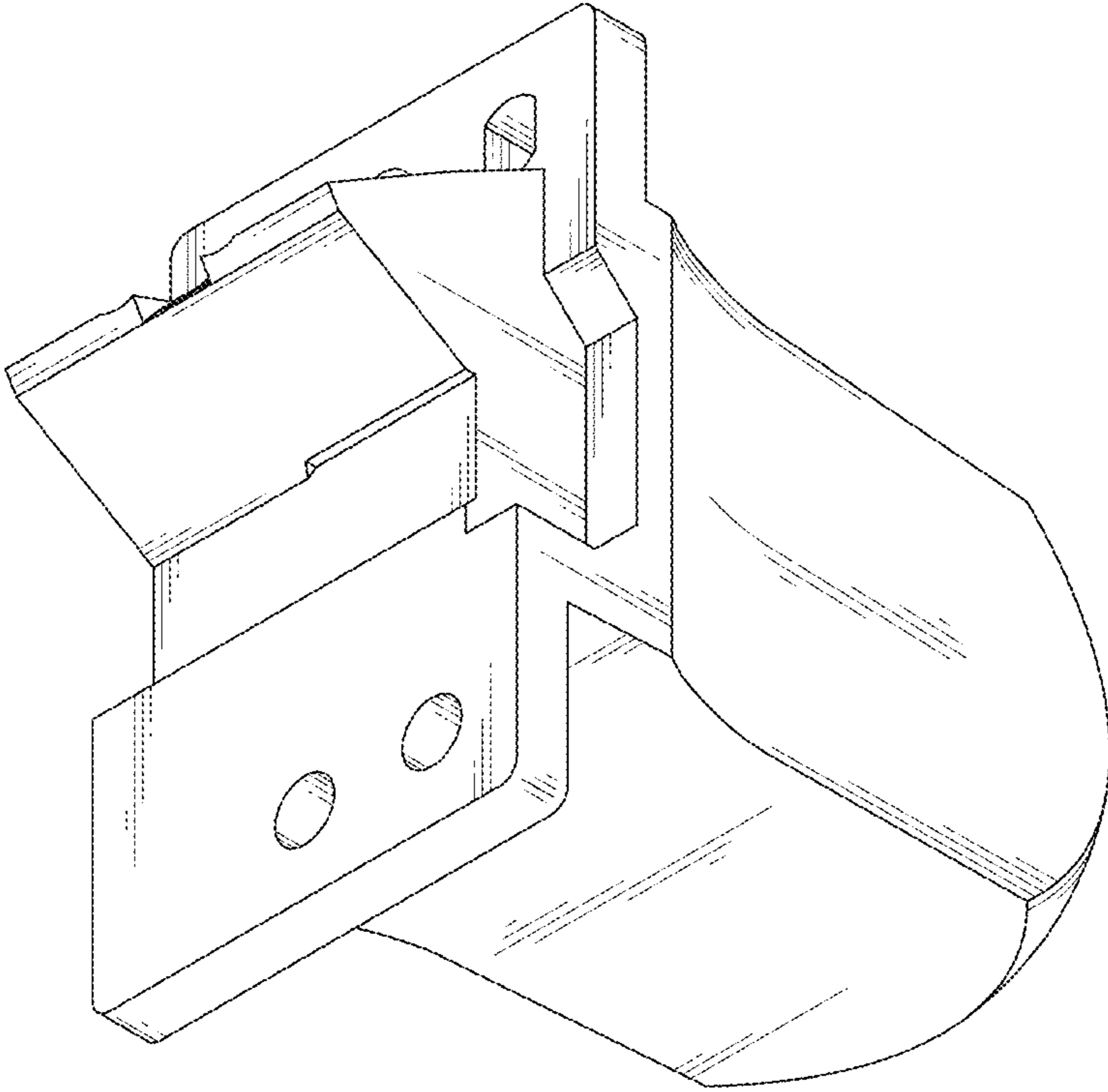


Fig.3

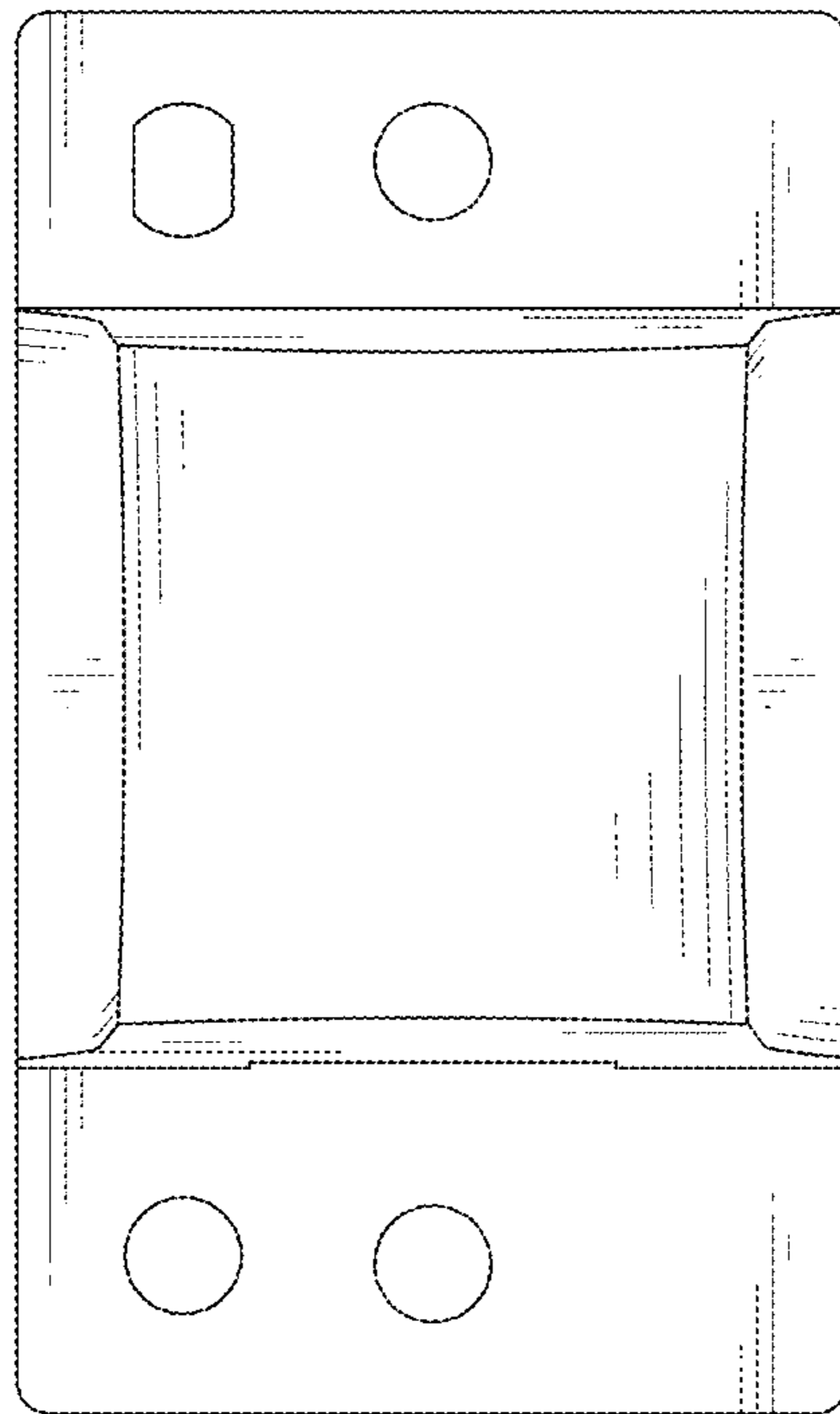


Fig.4

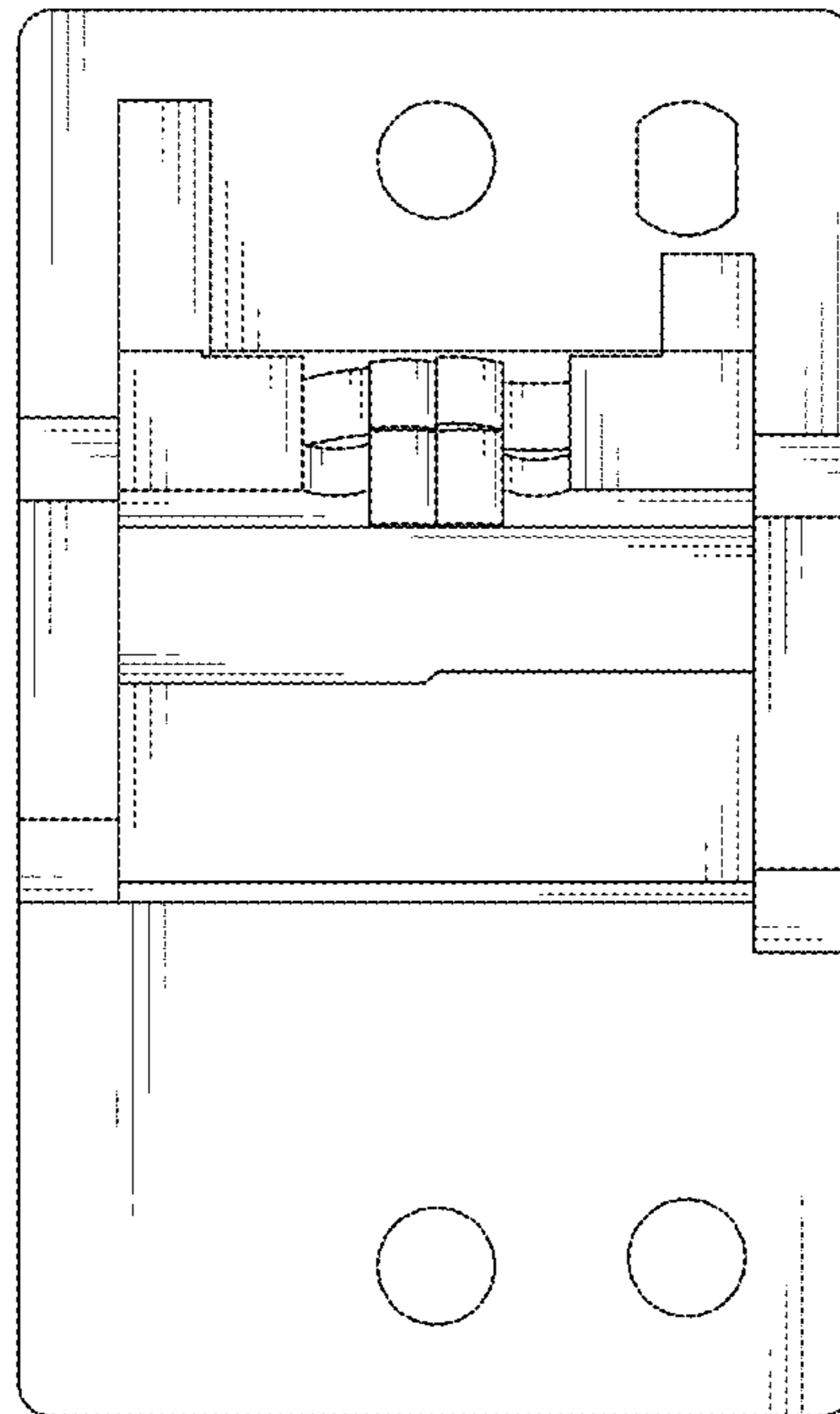


Fig.5

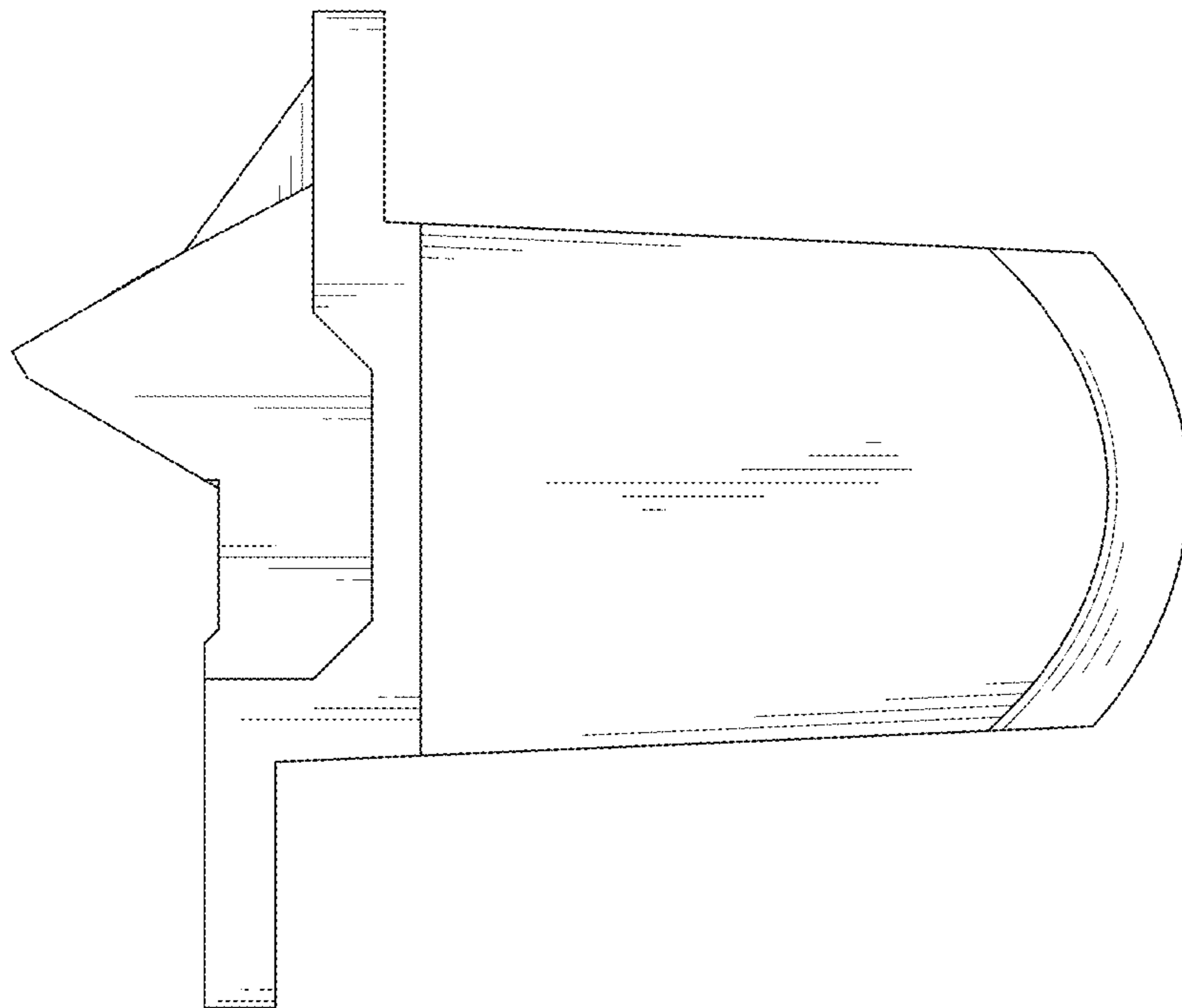


Fig.6

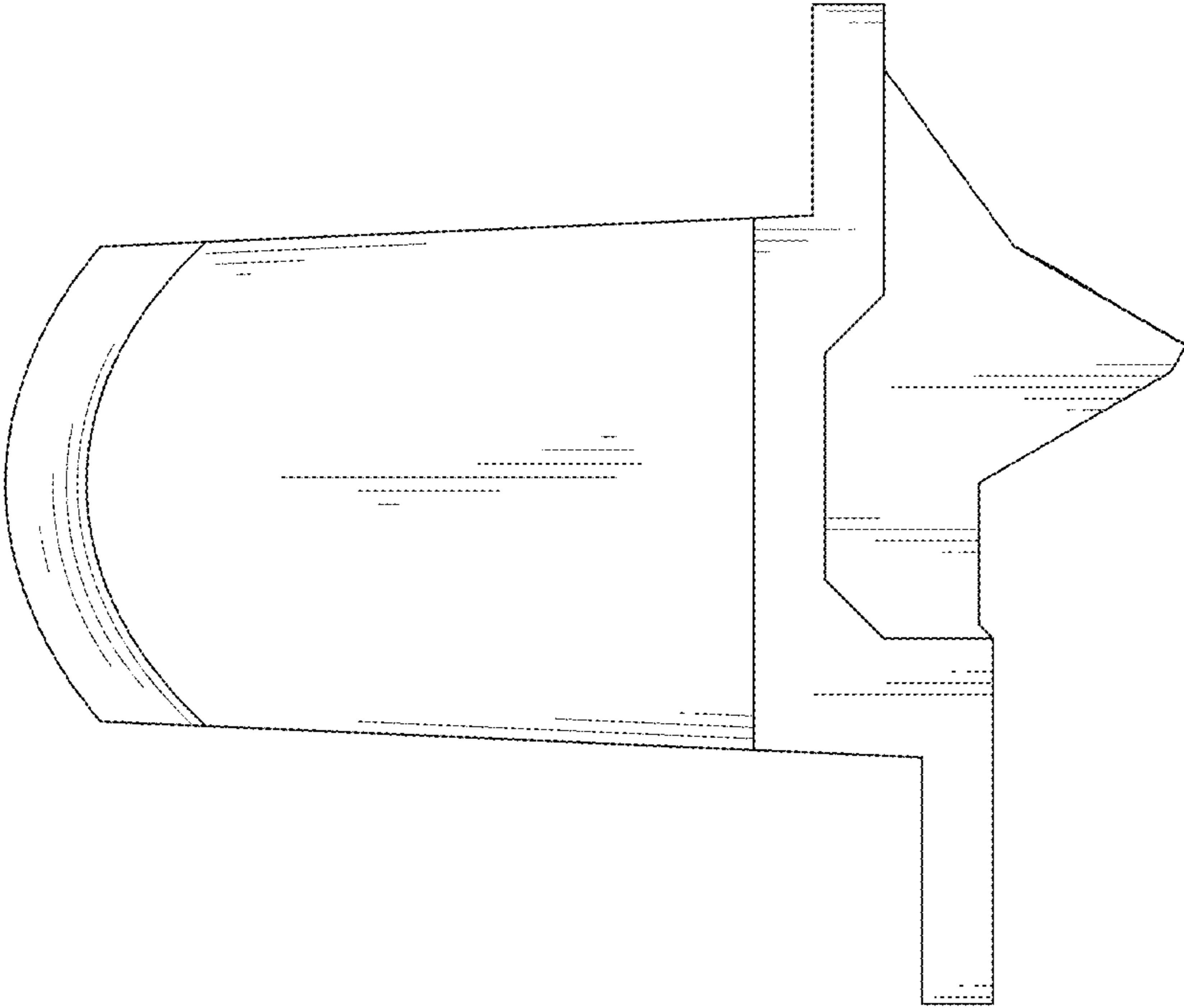


Fig.7

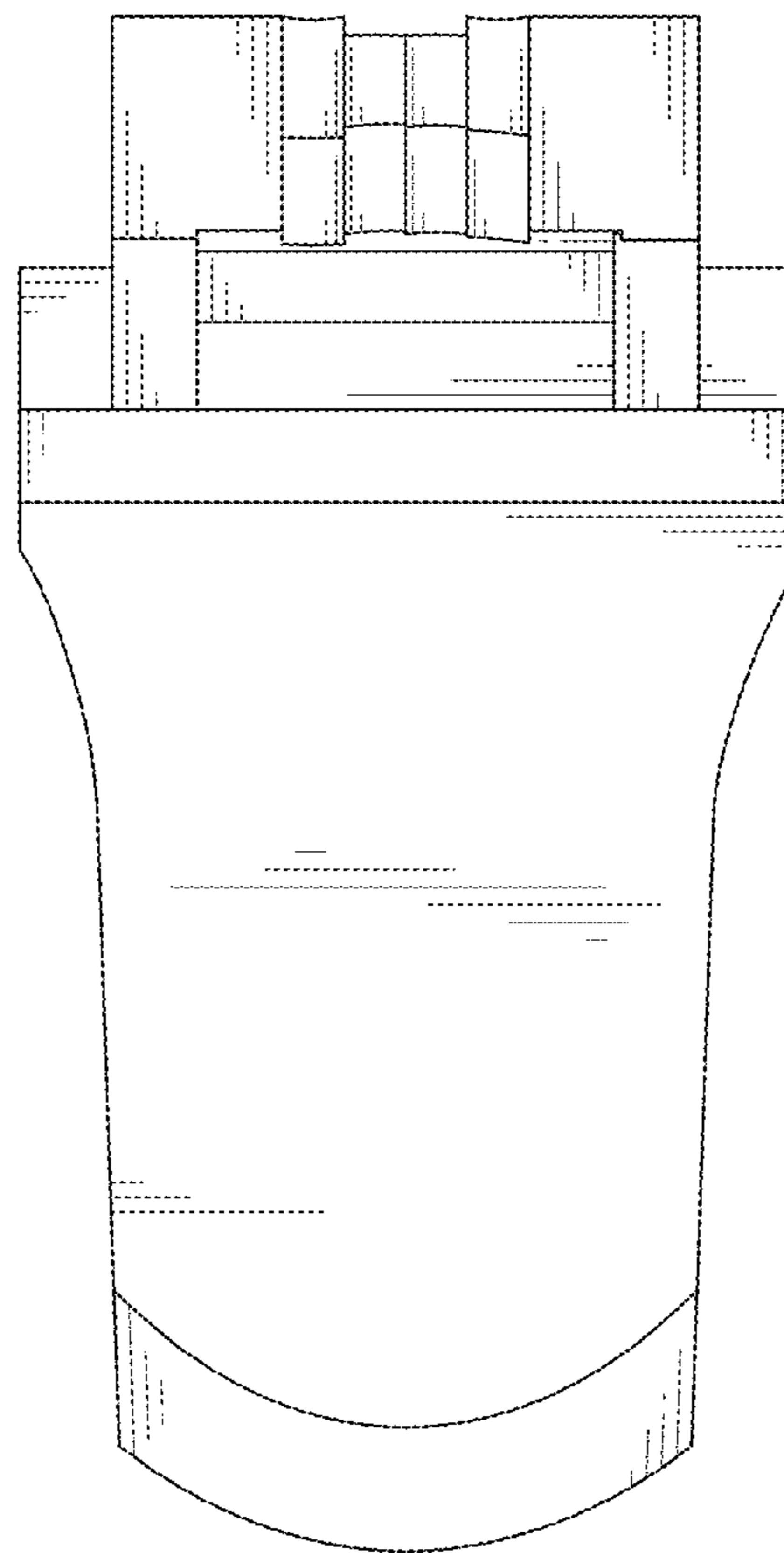


Fig.8

