



US00D825796S

(12) **United States Design Patent**
Yan

(10) **Patent No.:** **US D825,796 S**

(45) **Date of Patent:** **** Aug. 14, 2018**

(54) **LIGHT-EMITTING DIODE FOR A CAR HEADLAMP**

(71) Applicant: **ILIGHT LIMITED**, Kowloon (HK)

(72) Inventor: **Hongjun Yan**, Ganzhi Town (CN)

(73) Assignee: **ILIGHT LIMITED**, Hong Kong (HK)

(**) Term: **15 Years**

(21) Appl. No.: **29/597,862**

(22) Filed: **Mar. 21, 2017**

(51) **LOC (11) Cl.** **26-07**

(52) **U.S. Cl.**
USPC **D26/28**

(58) **Field of Classification Search**
USPC D26/28-36; 362/459-468, 475-478,
362/485-487
CPC F21S 48/00; F21S 48/10; F21S 48/115;
F21S 48/225; F21S 48/1233; F21S
48/1266; F21S 48/1388; F21S 48/2268;
F21V 21/04

See application file for complete search history.

(56) **References Cited**

U.S. PATENT DOCUMENTS

D367,330 S * 2/1996 Gill D10/111
D583,696 S * 12/2008 Lassen D10/110

D720,483 S * 12/2014 Saddig D26/28
D722,398 S * 2/2015 Tewell D26/28
D740,984 S * 10/2015 Chen D26/28
D769,486 S * 10/2016 Ma D26/28
D769,487 S * 10/2016 Ma D26/28
D769,488 S * 10/2016 Ma D26/28
D769,489 S * 10/2016 Ma D26/28
D769,490 S * 10/2016 Ma D26/28
D777,961 S * 1/2017 Wu D26/28
D789,577 S * 6/2017 Xu D26/28
D789,578 S * 6/2017 Woodworth D26/28

* cited by examiner

Primary Examiner — Angela J Lee

(74) *Attorney, Agent, or Firm* — Mu P.C.

(57) **CLAIM**

The ornamental design for a light-emitting diode for a car headlamp, as shown and described.

DESCRIPTION

FIG. 1 is a front elevation view of a light-emitting diode for a car headlamp showing our new design; FIG. 2 is a rear elevation view thereof; FIG. 3 is a top plan view thereof; FIG. 4 is a bottom plan view thereof; FIG. 5 is a left side elevation view thereof; and, FIG. 6 is a right side elevation view thereof.

1 Claim, 6 Drawing Sheets



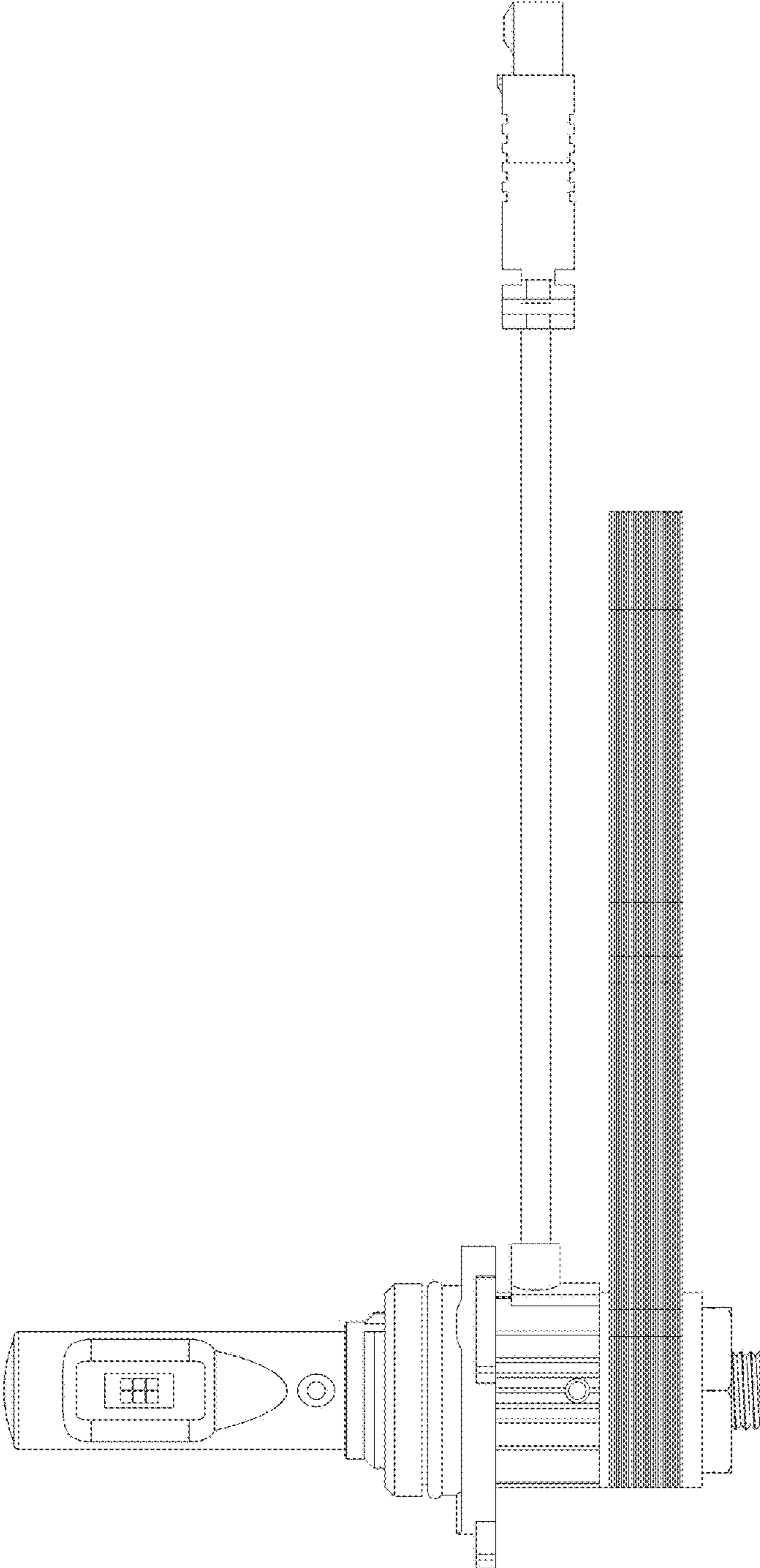


FIG. 1

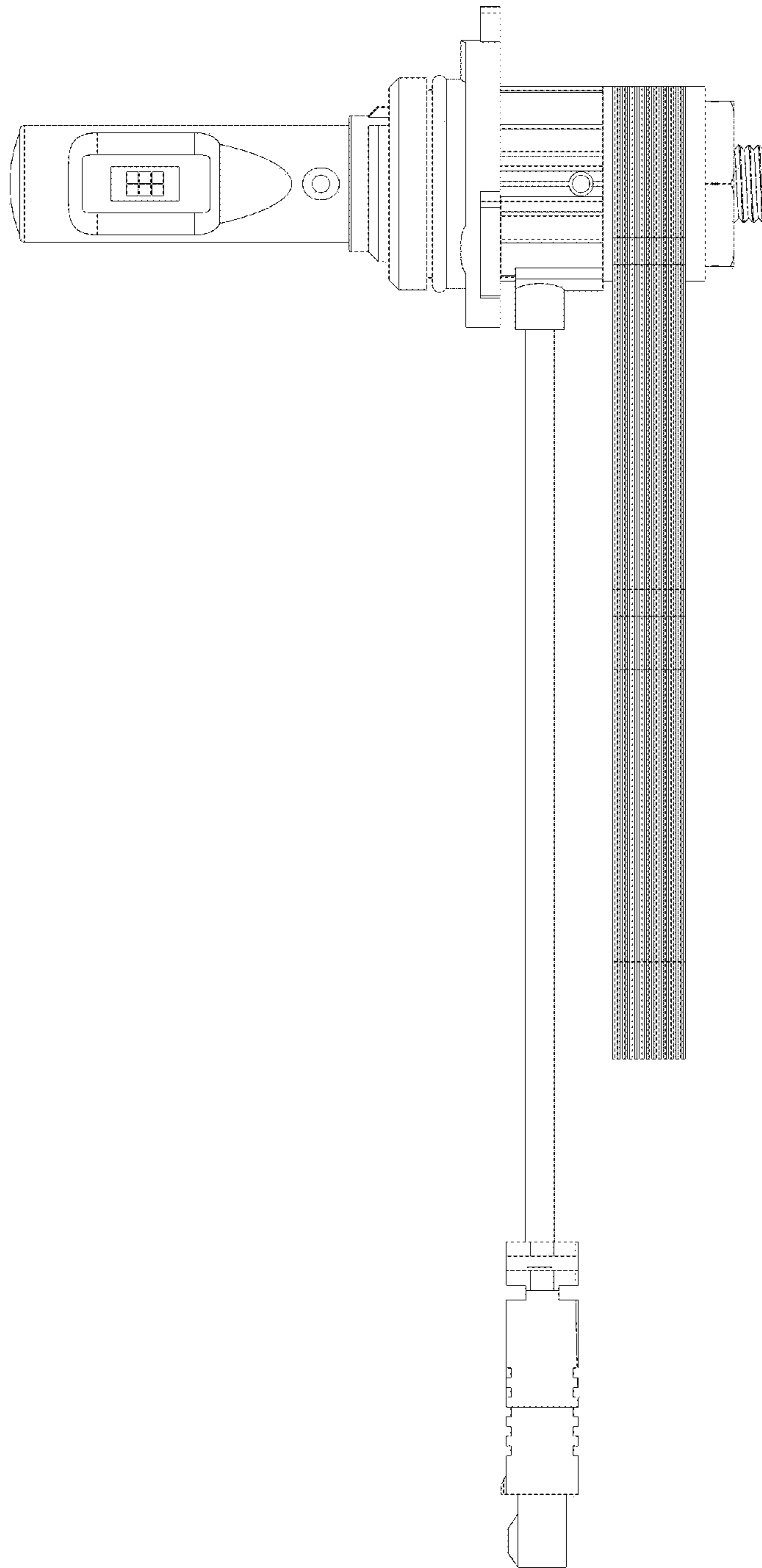


FIG. 2

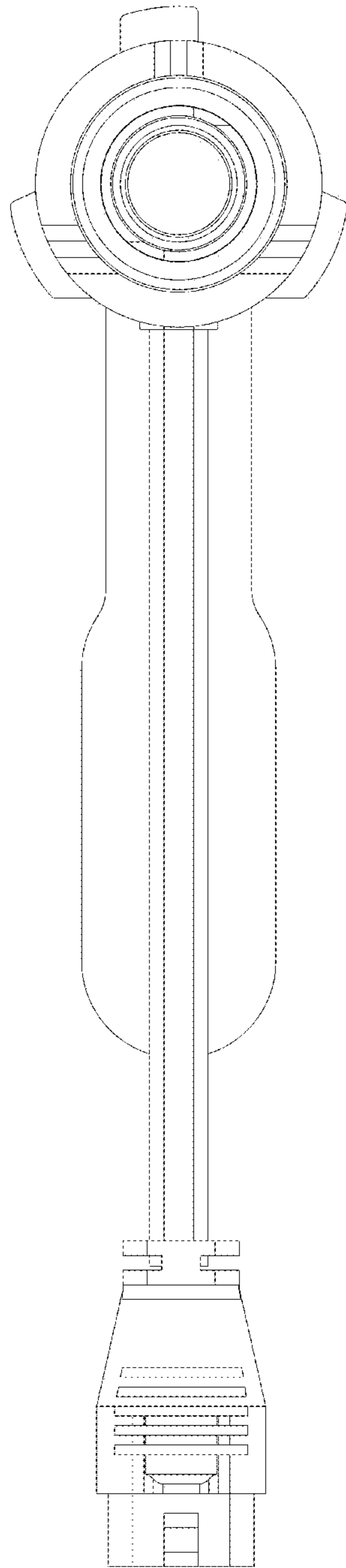


FIG. 3

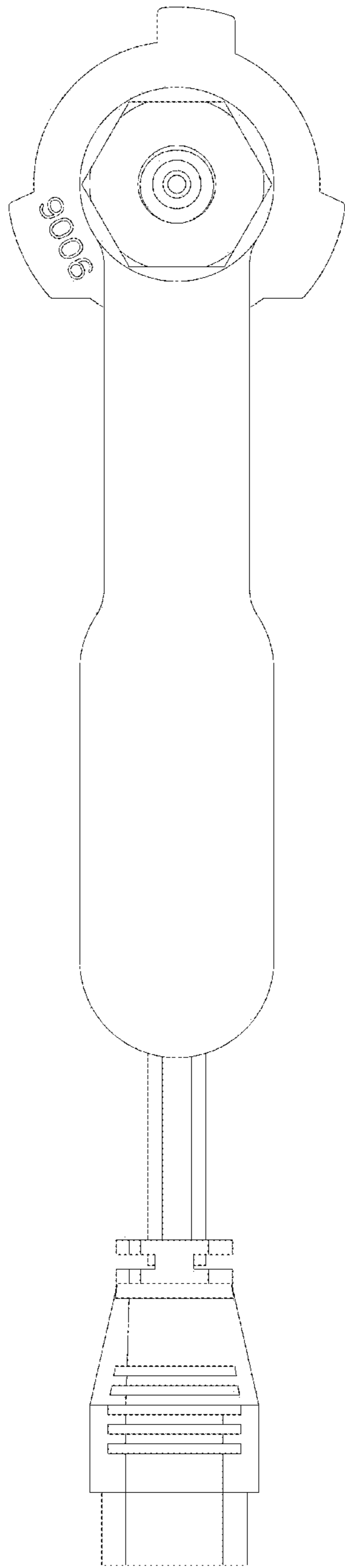


FIG. 4

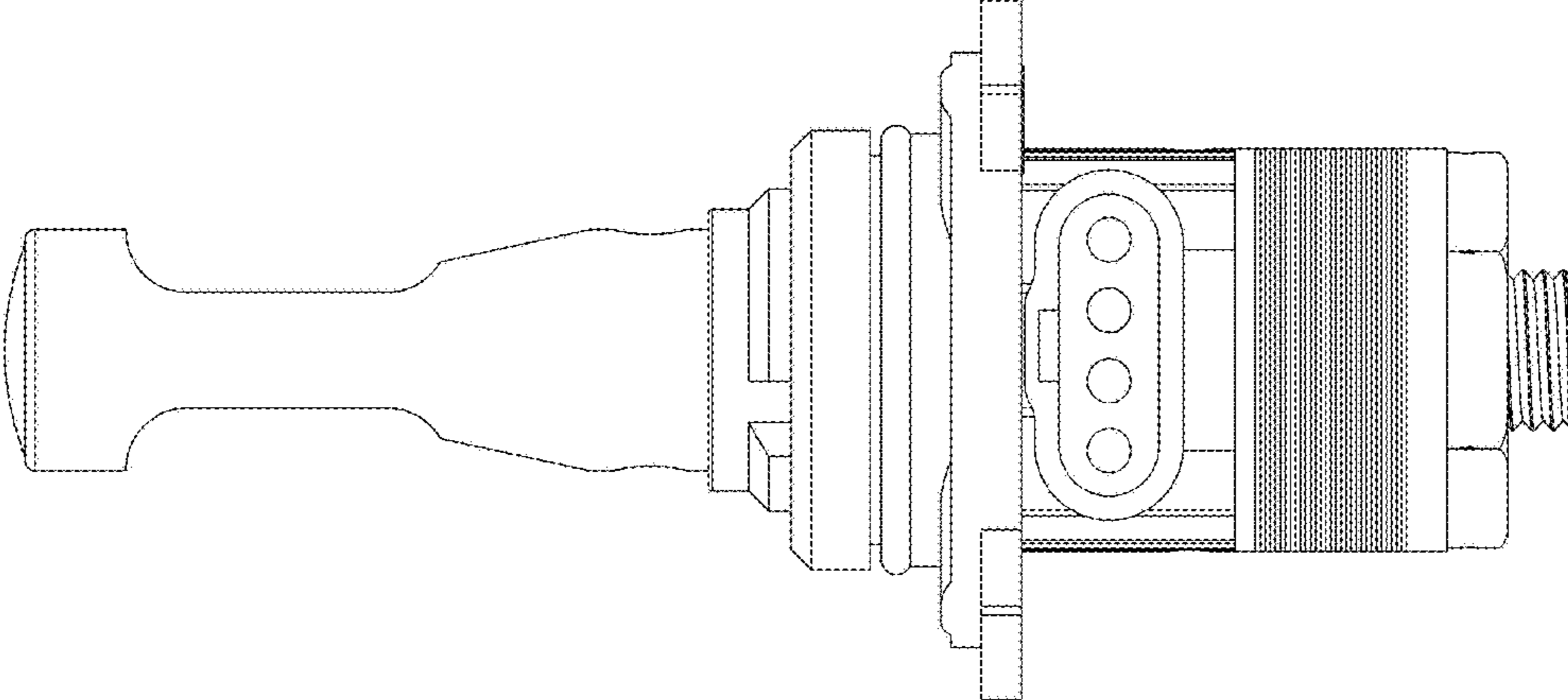


FIG. 5

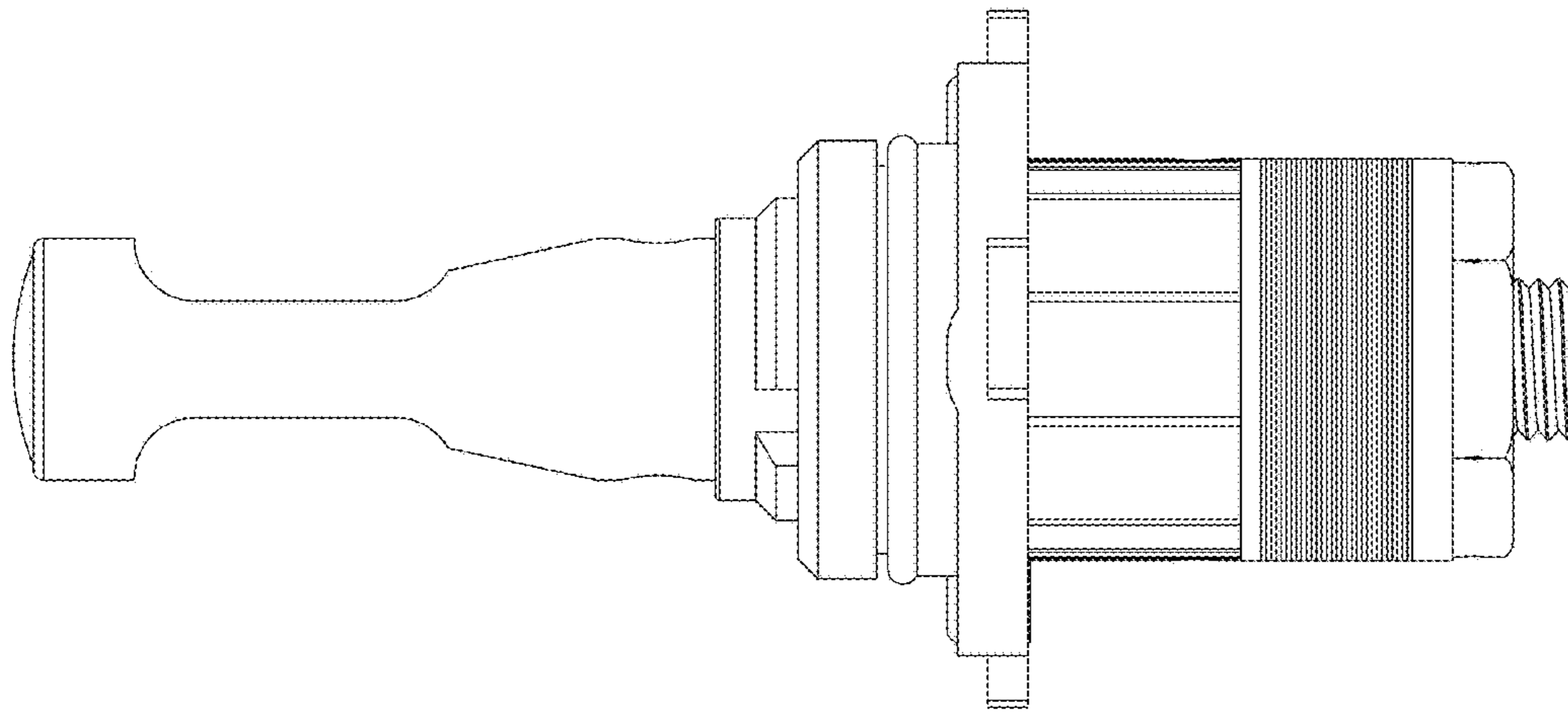


FIG. 6